



US00D955737S

(12) **United States Design Patent**
Rock

(10) **Patent No.:** **US D955,737 S**
(45) **Date of Patent:** **** Jun. 28, 2022**

(54) **ROLLING CANE**

(71) Applicant: **Rhonda G. Rock**, Granite Bay, CA
(US)

(72) Inventor: **Rhonda G. Rock**, Granite Bay, CA
(US)

(**) Term: **15 Years**

(21) Appl. No.: **29/755,396**

(22) Filed: **Oct. 20, 2020**

(51) **LOC (13) Cl.** **03-03**

(52) **U.S. Cl.**
USPC **D3/7; D12/130; D34/12**

(58) **Field of Classification Search**
USPC D3/7, 5-6, 8-17; D12/129, 130, 133,
D12/131; D34/12, 19-20, 25, 29;
D6/406.1, 406.2; D24/231
CPC ... A61H 3/00; A61H 3/02; A45B 1/04; A45B
9/02; A45B 3/04; A45B 9/00; A45B 1/00;
A45B 1/02; A61G 7/053; B62B 1/00;
B62B 5/00
See application file for complete search history.

(56) **References Cited**

U.S. PATENT DOCUMENTS

2,210,493 A 8/1940 Lisi
2,636,207 A * 4/1953 Reece A47L 9/009
D32/31
2,835,503 A * 5/1958 Humphries A01G 20/30
D34/24
4,044,784 A 8/1977 Smith
(Continued)

FOREIGN PATENT DOCUMENTS

CN 103800180 1/2018
CN 305784327 * 5/2020
(Continued)

OTHER PUBLICATIONS

Amazon.ca, Site visited Apr. 19, 2022, Dbest Products Smart Cart, First available Mar. 26, 2013, <https://www.amazon.ca/Bigger-Multipurpose-Rolling-Collapsible-Utility/dp/B0077LQQIK> (Year: 2013).*

(Continued)

Primary Examiner — Brett Miller

Assistant Examiner — Jessica M Gebhart

(74) *Attorney, Agent, or Firm* — Law Offices of David M. Lang; David M. Lang

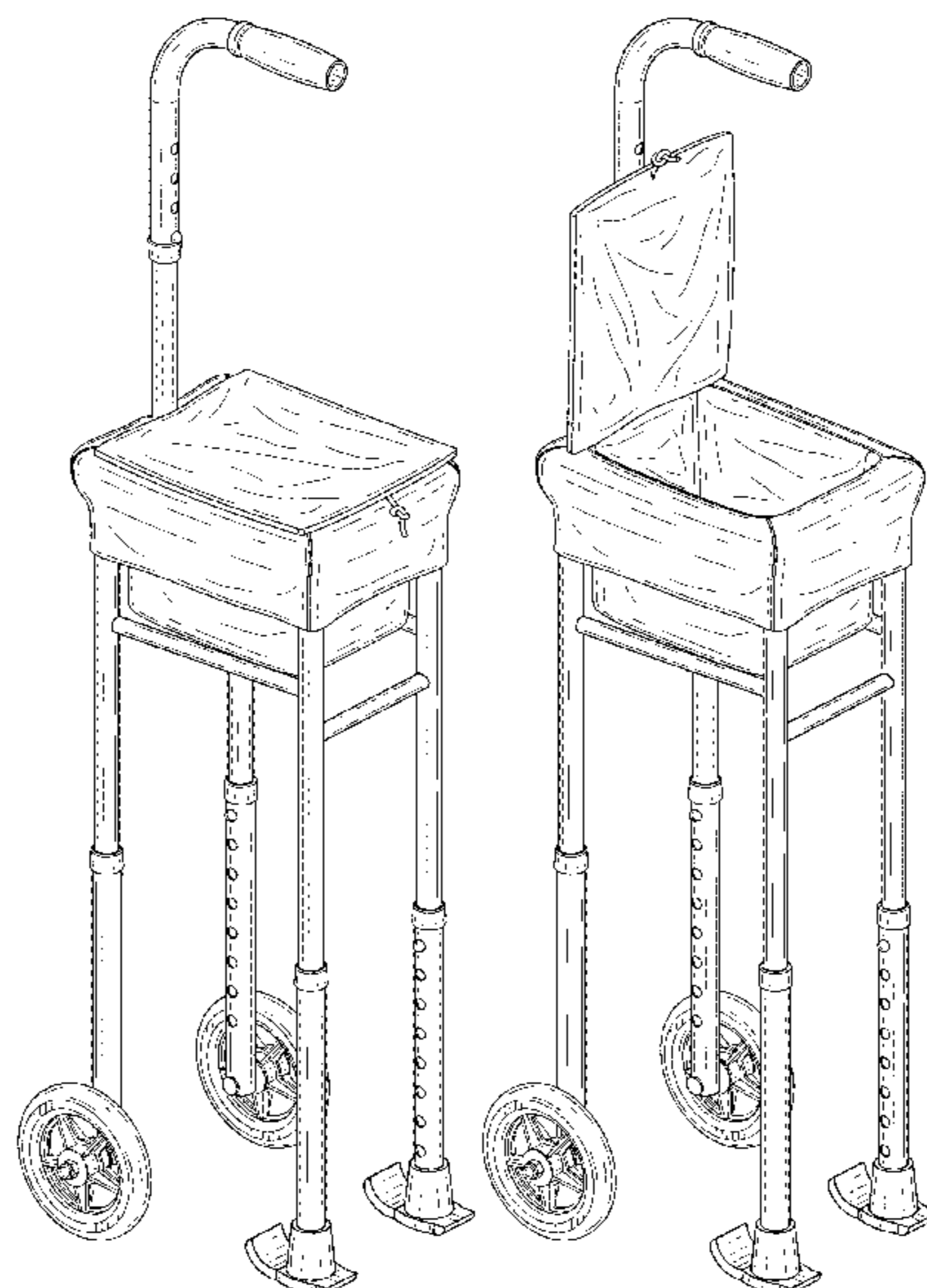
(57) **CLAIM**

The ornamental design for a rolling cane, as shown and described.

DESCRIPTION

FIG. 1 is a top perspective view of a rolling cane showing my new design.
FIG. 2 is a bottom perspective view thereof;
FIG. 3 is a top view thereof;
FIG. 4 is a bottom view thereof;
FIG. 5 is a side elevation view thereof;
FIG. 6 is a side elevation view thereof;
FIG. 7 is a back view thereof;
FIG. 8 is a front view thereof;
FIG. 9 is a top perspective view showing an alternate position showing the container lid open;
FIG. 10 is a top perspective view of the alternate position;
FIG. 11 is a bottom perspective view of the alternate position;
FIG. 12 is a top view of the alternate position;
FIG. 13 is a bottom view of the alternate position;
FIG. 14 is a side elevation view of the alternate position;
FIG. 15 is a side elevation view of the alternate position;
FIG. 16 is a back view of the alternate position; and,
FIG. 17 is a front view of the alternate position.

1 Claim, 11 Drawing Sheets



(56)

References Cited

U.S. PATENT DOCUMENTS

4,086,932 A * 5/1978 Richardson A61H 3/04
482/68
4,800,911 A * 1/1989 Endres A61H 3/00
D12/130
D302,063 S * 7/1989 Frazier D34/17
4,987,912 A 1/1991 Taylor
D349,668 S * 8/1994 Mathews D12/129
5,588,457 A * 12/1996 Tartaglia A61H 3/04
135/912
5,647,602 A 7/1997 Nevin
5,692,533 A * 12/1997 Meltzer A61H 3/04
135/65
D410,784 S * 6/1999 Sandford D34/25
6,158,453 A * 12/2000 Nasco A45B 1/02
135/85
D451,256 S * 11/2001 Armanno, Sr. D34/12
6,877,519 B2 4/2005 Fink
7,673,641 B2 3/2010 Karasin et al.
9,016,297 B2 * 4/2015 Salomon A61H 3/02
135/85
D732,258 S * 6/2015 Garcia D34/12
D765,553 S * 9/2016 Pos D12/129
10,647,340 B2 * 5/2020 Kinnee B62B 1/12
2002/0195782 A1 * 12/2002 Cates B62B 5/06
280/47.26
2003/0094191 A1 5/2003 Lin
2003/0205265 A1 11/2003 Nasco

2004/0113381 A1 * 6/2004 Bergia B62B 3/02
280/47.26
2005/0274405 A1 12/2005 Tartaglia
2008/0078431 A1 4/2008 Battison
2008/0185797 A1 * 8/2008 Bohn A61H 3/04
280/7.1
2010/0253024 A1 * 10/2010 Lewis, Jr. B62B 1/14
280/47.26
2013/0113187 A1 5/2013 Willis
2014/0261594 A1 9/2014 Salomon

FOREIGN PATENT DOCUMENTS

EP 3075369 10/2016
FR 2612476 9/1988
GB 3001287 * 3/2002

OTHER PUBLICATIONS

Amazon.com, Site visited Apr. 19, 2022, Roscoe Medical Portable Oxygen Tank Roller Bag, First available Jul. 22, 2019, <https://www.amazon.com/Portable-Oxygen-Cylinder-Roller-Mobile/dp/B07VKXJ93D> (Year: 2019).*
Rotometals.com, Site visited Apr. 19, 2022, Rolling Two Wheel Oxygen Tank Cylinder Cart Carrier, Oldest review dated Aug. 2, 2019, <https://www.rotometals.com/rolling-2-two-wheel-oxygen-tank-cylinder-cart-carrier/> (Year: 2019).*

* cited by examiner

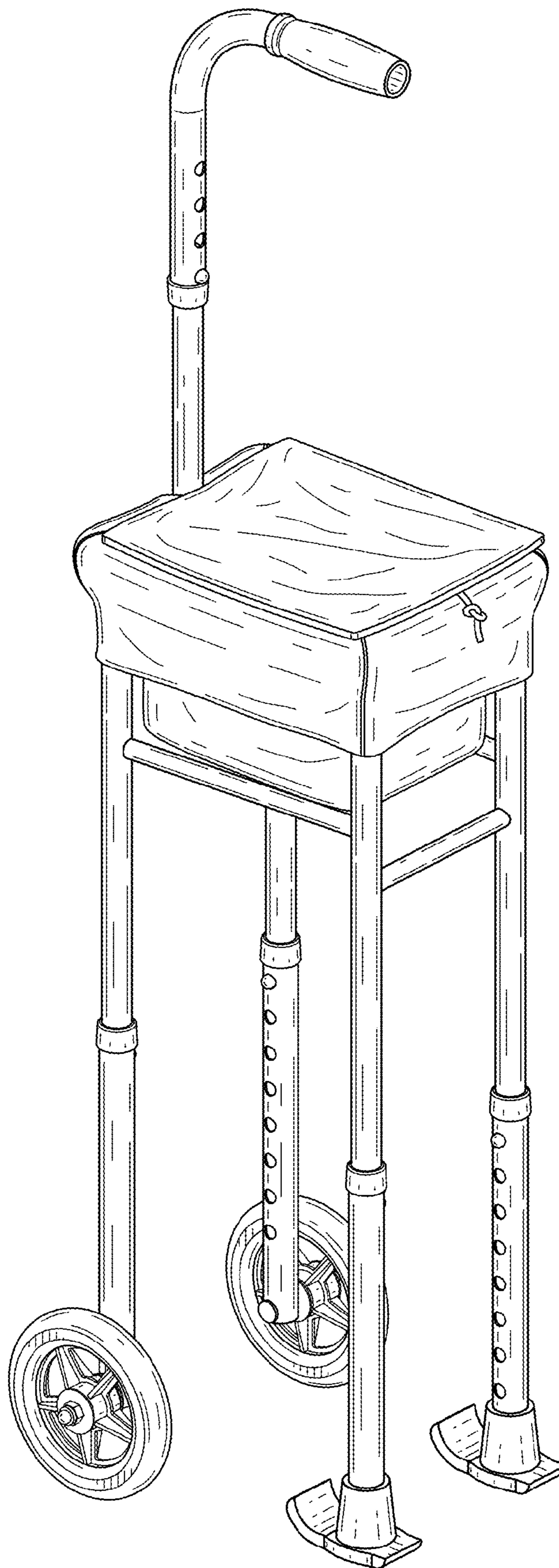


FIG. 1

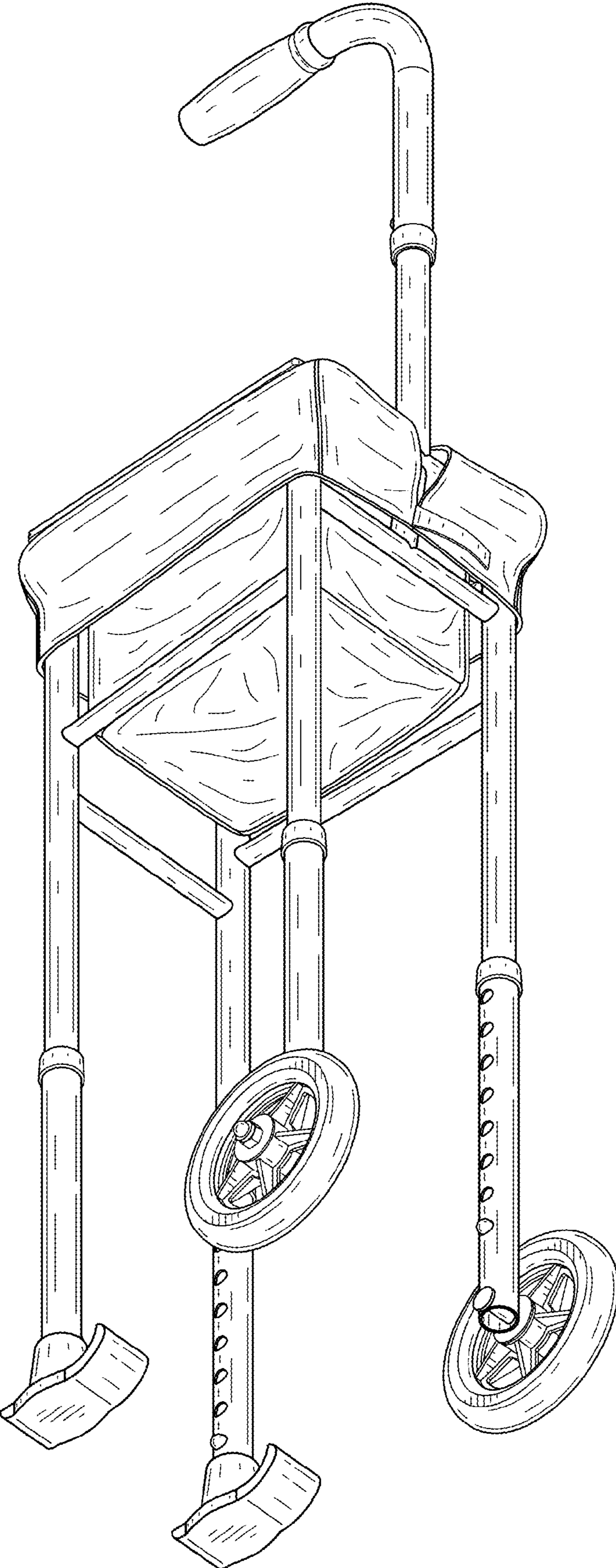


FIG. 2

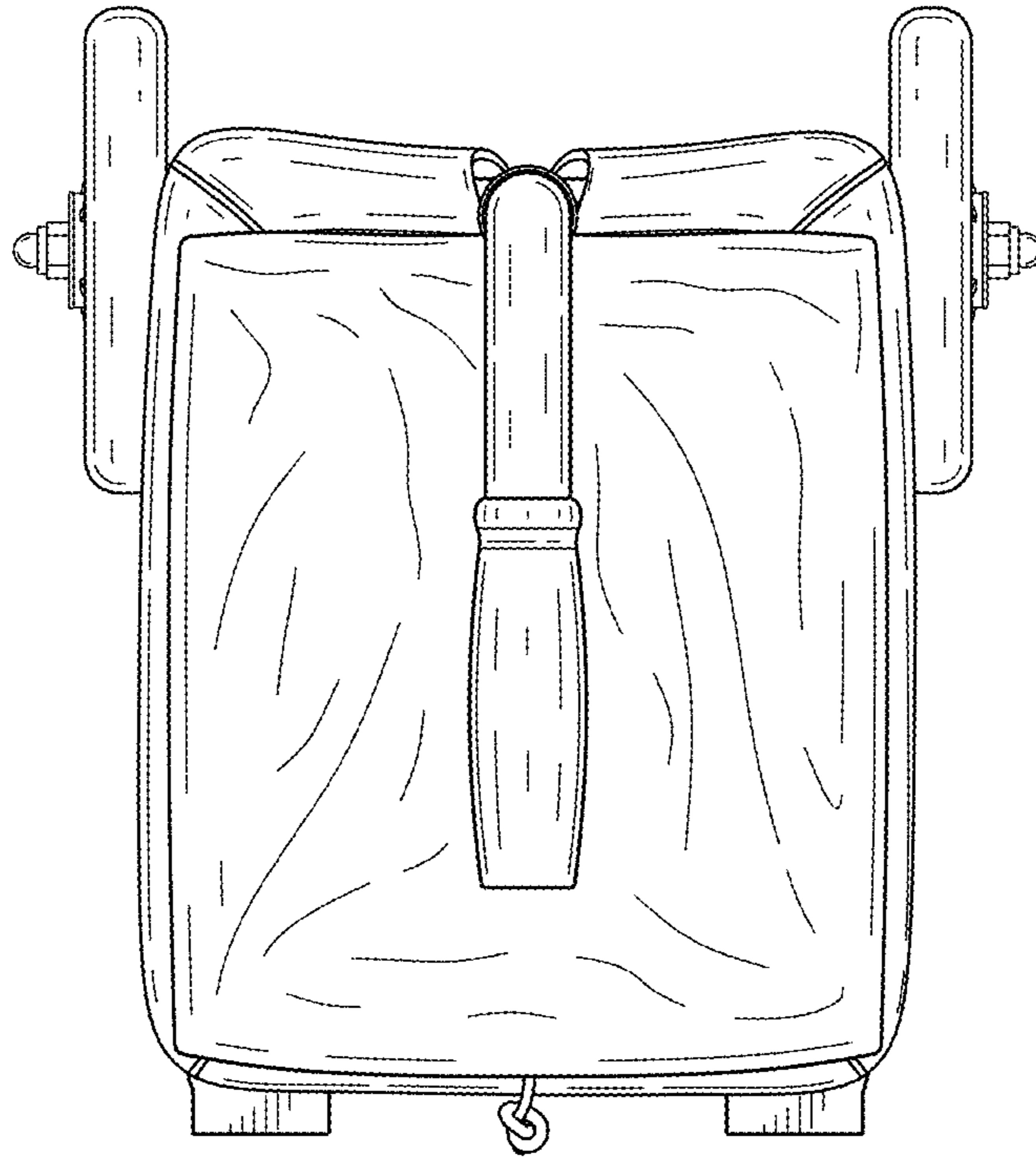


FIG. 3

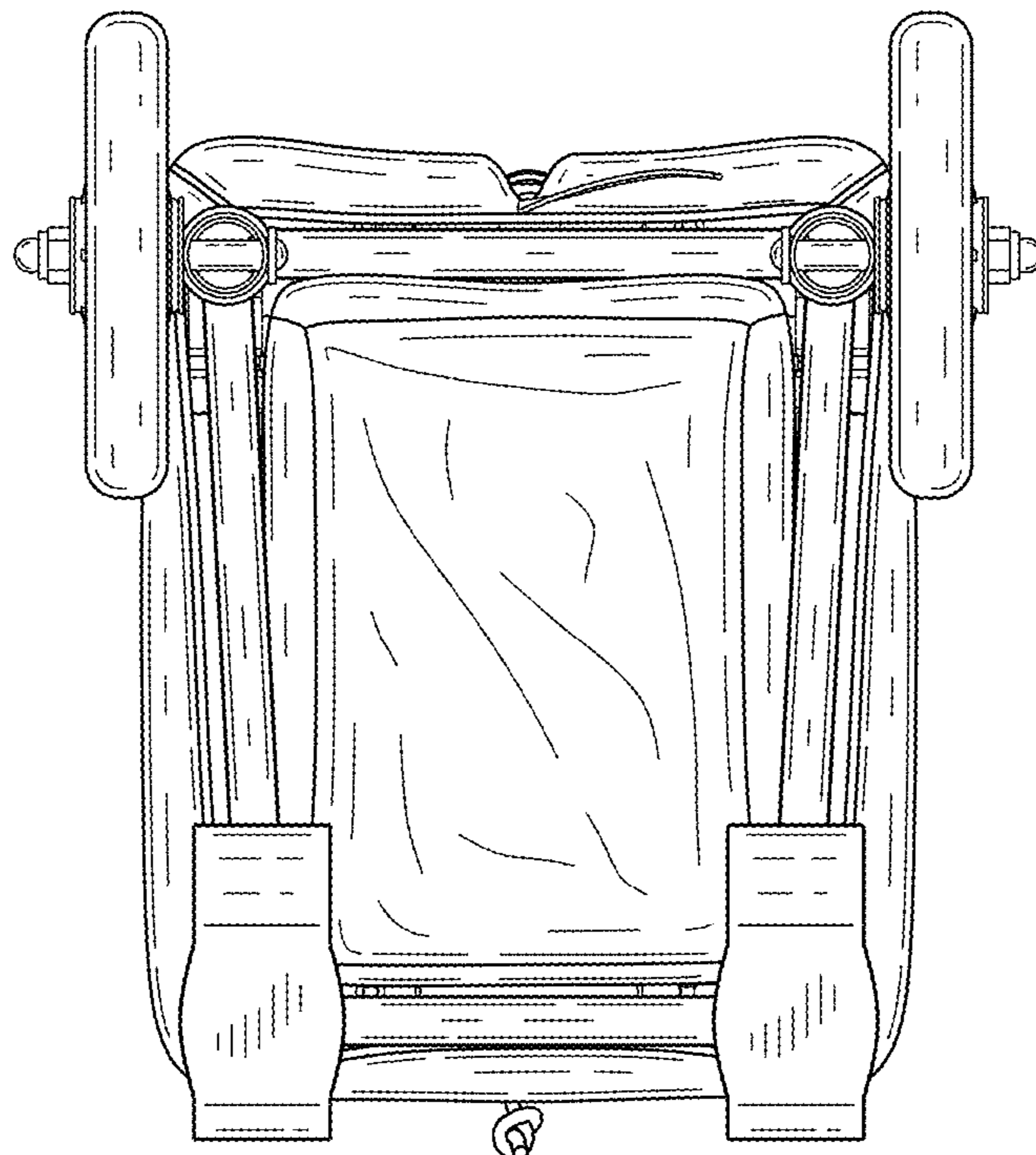


FIG. 4

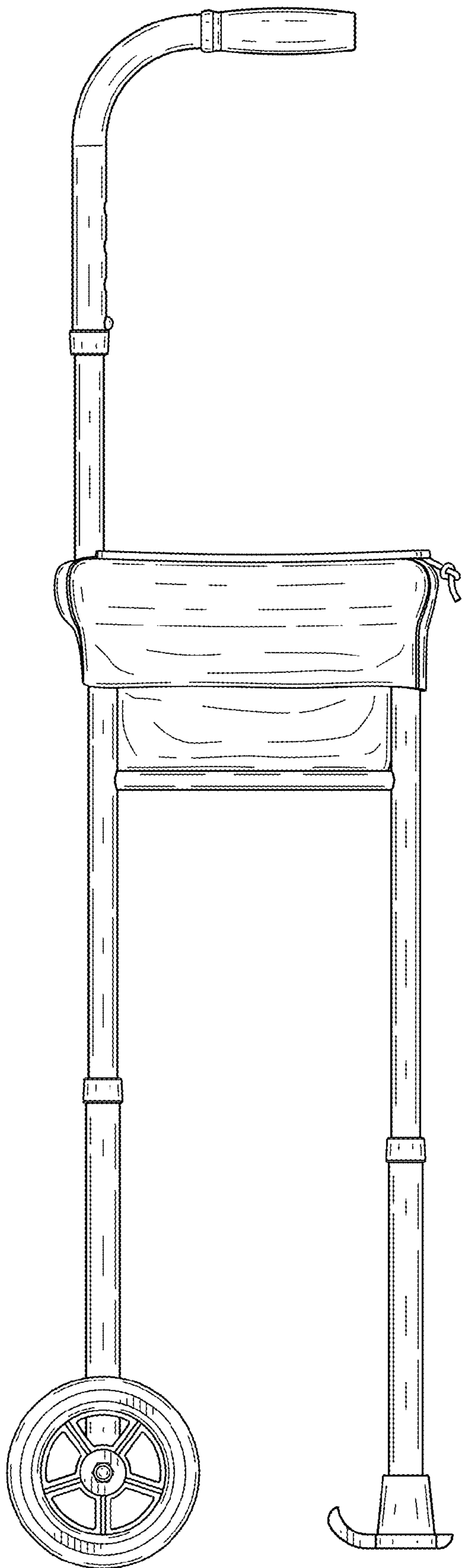


FIG. 5

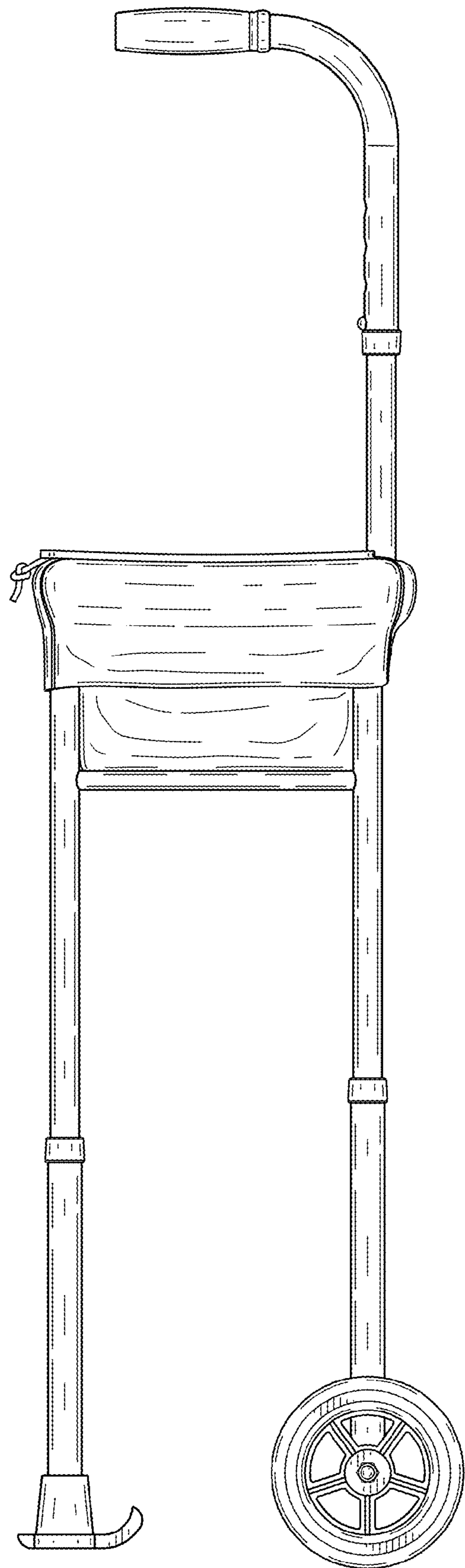


FIG. 6

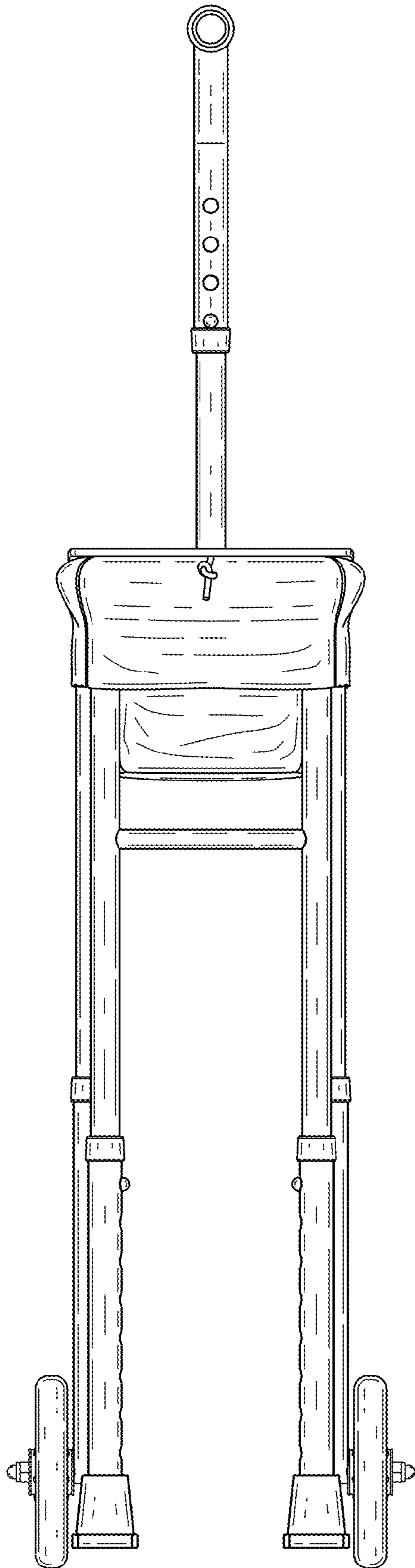


FIG. 7

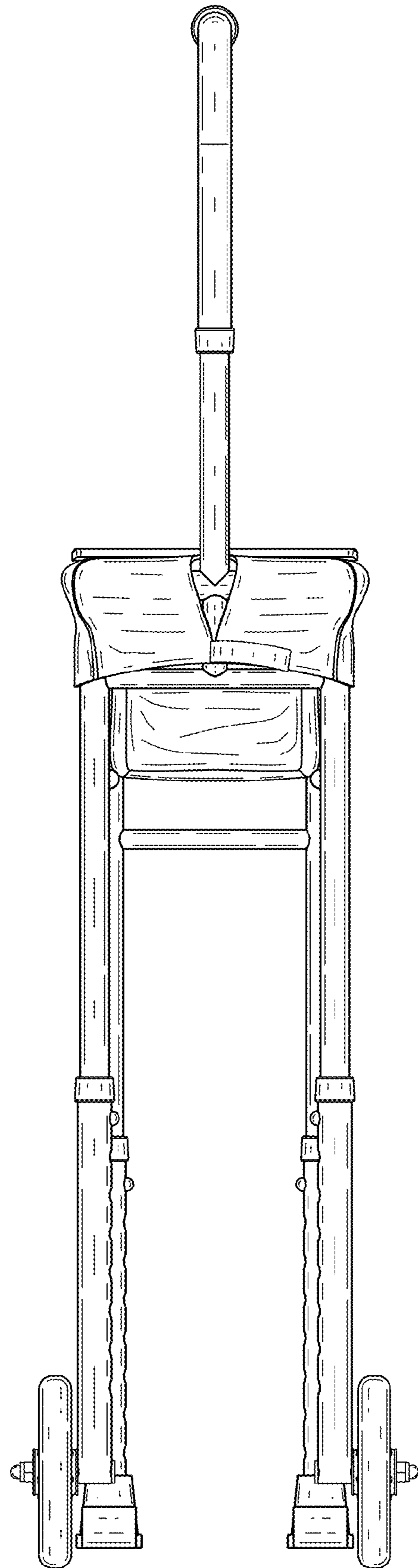


FIG. 8

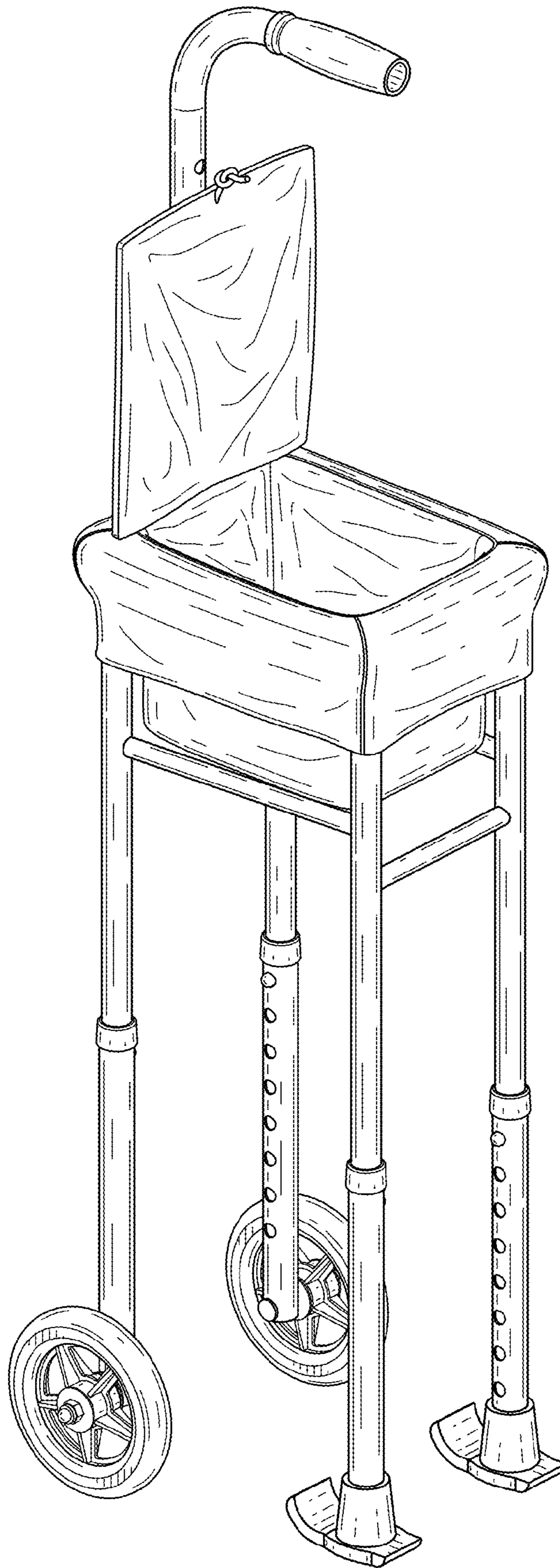


FIG. 9

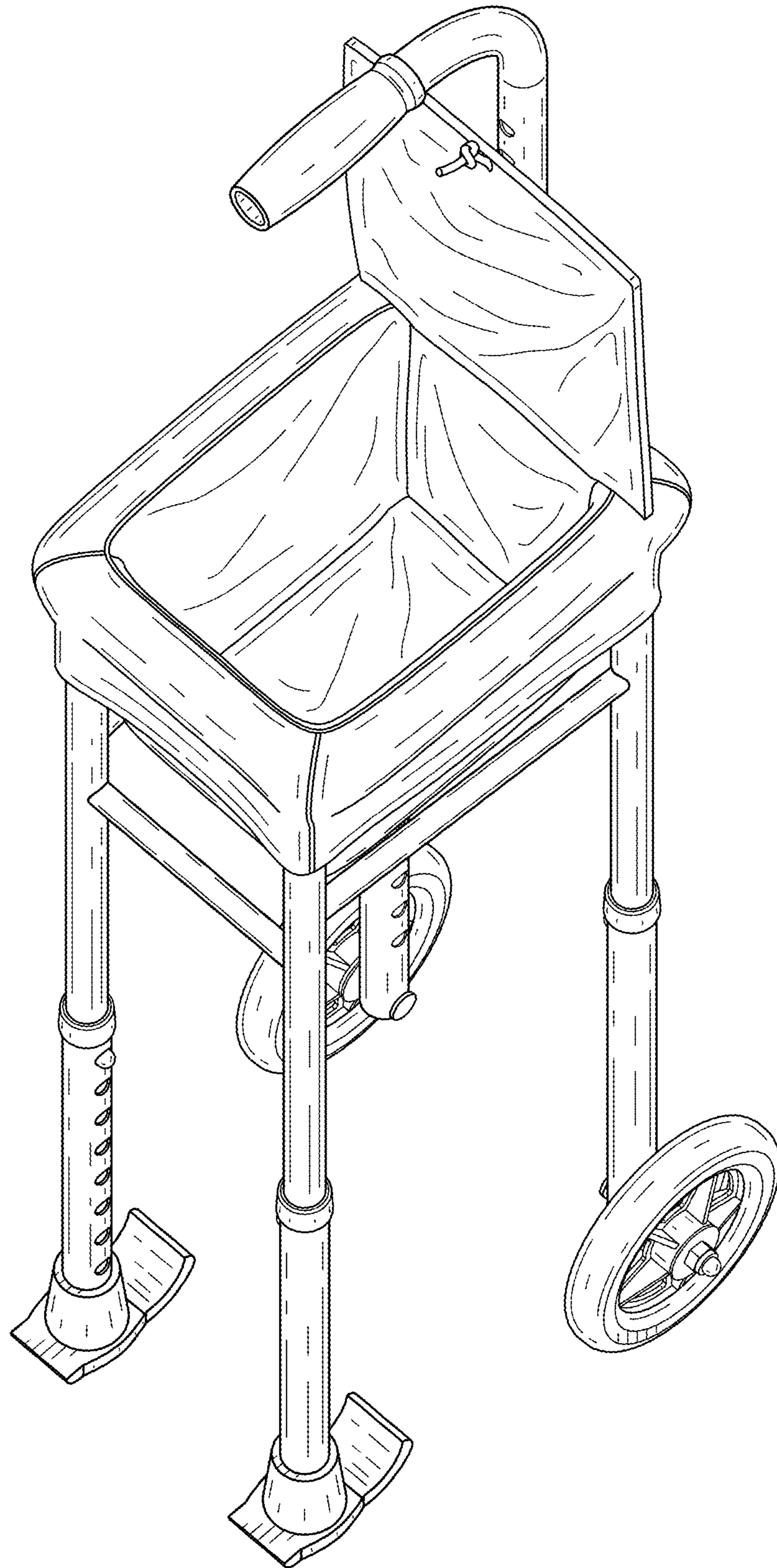


FIG. 10

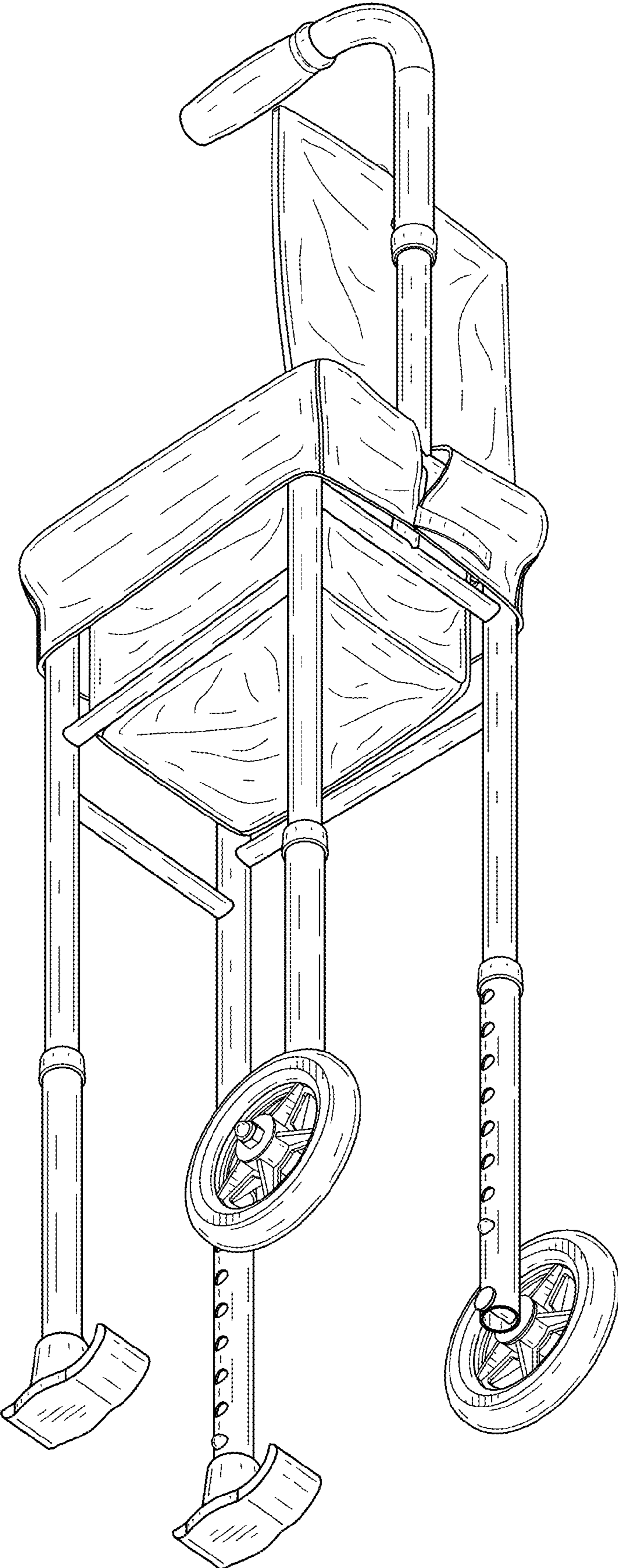


FIG. 11

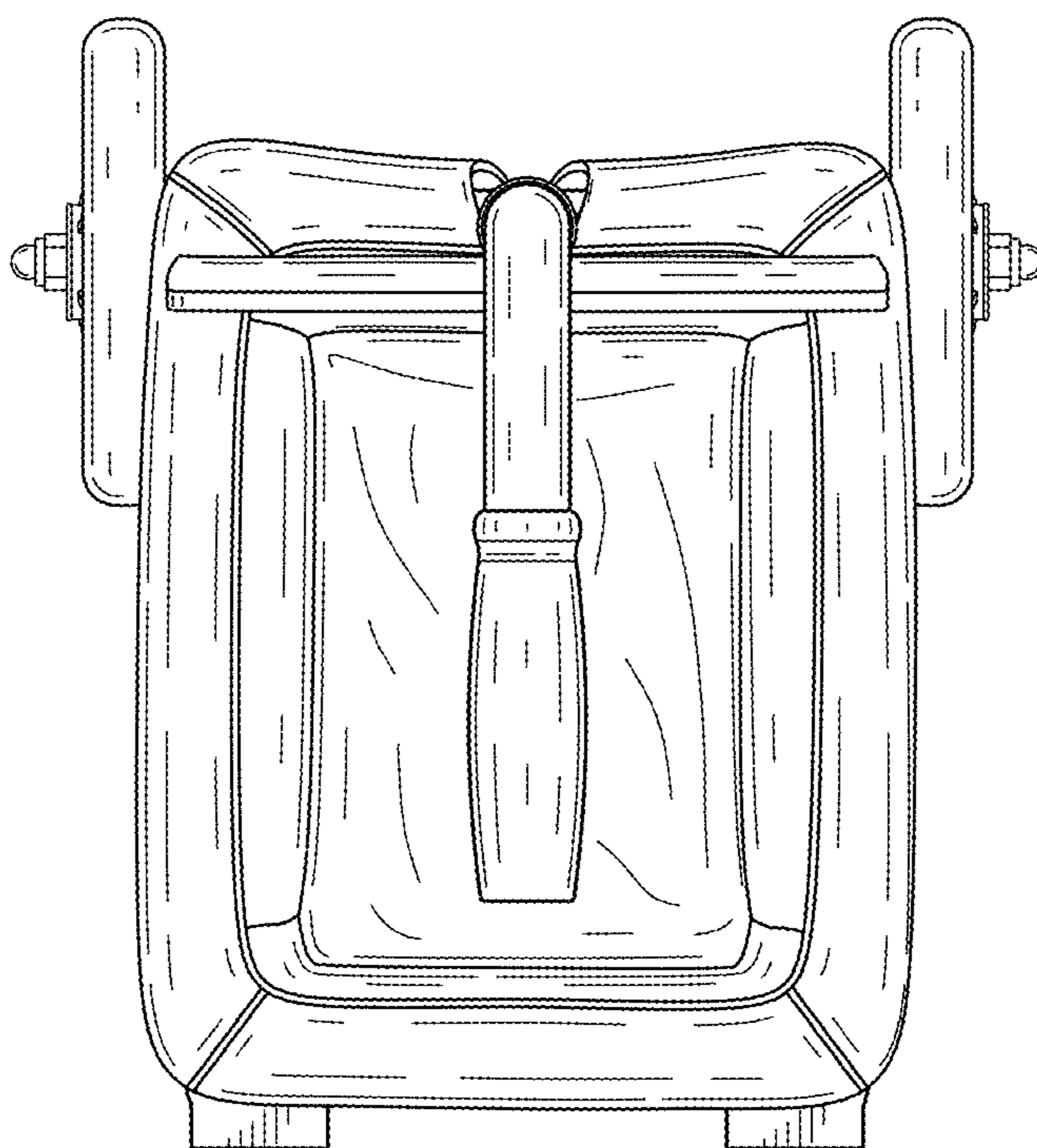


FIG. 12

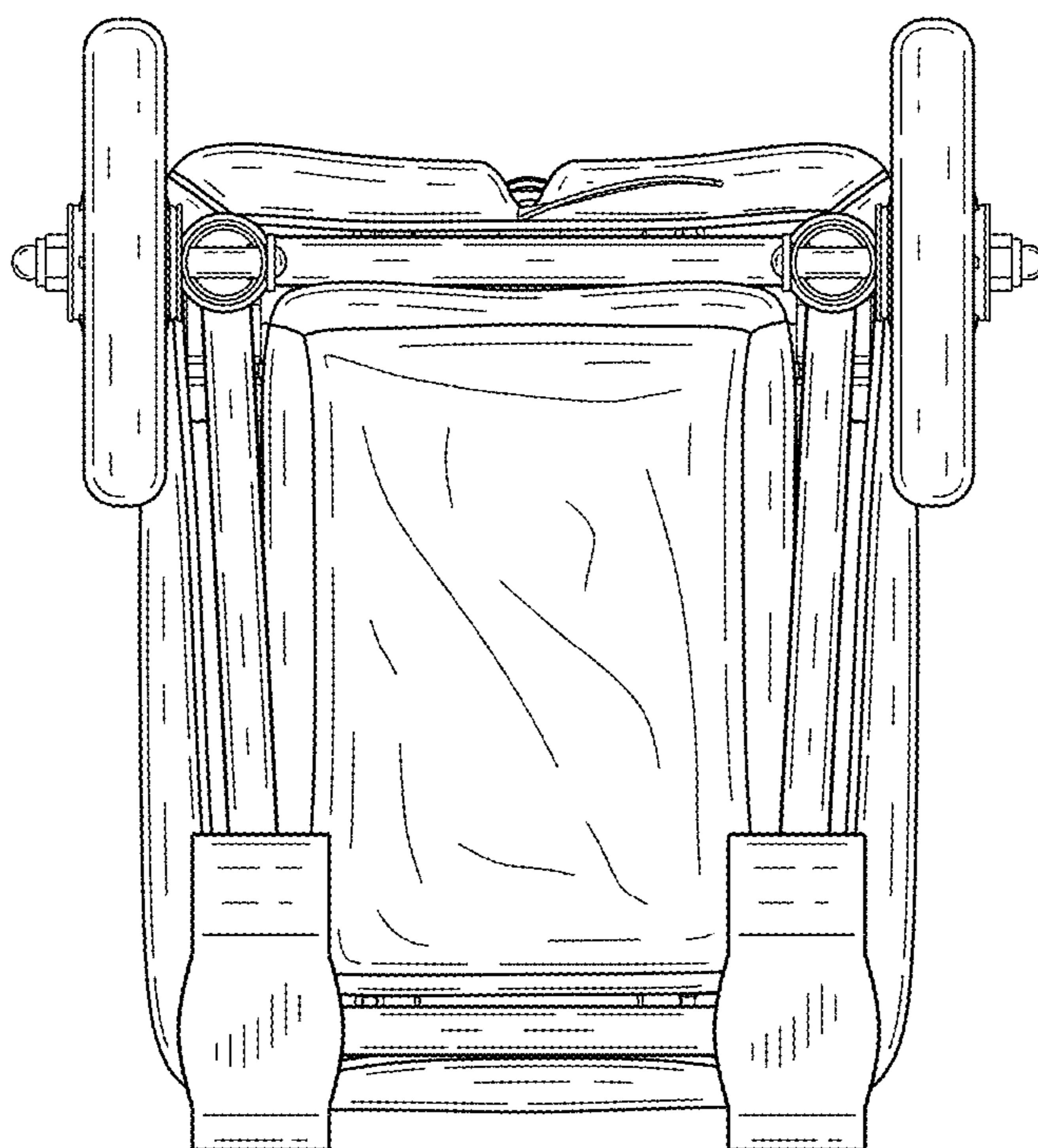


FIG. 13

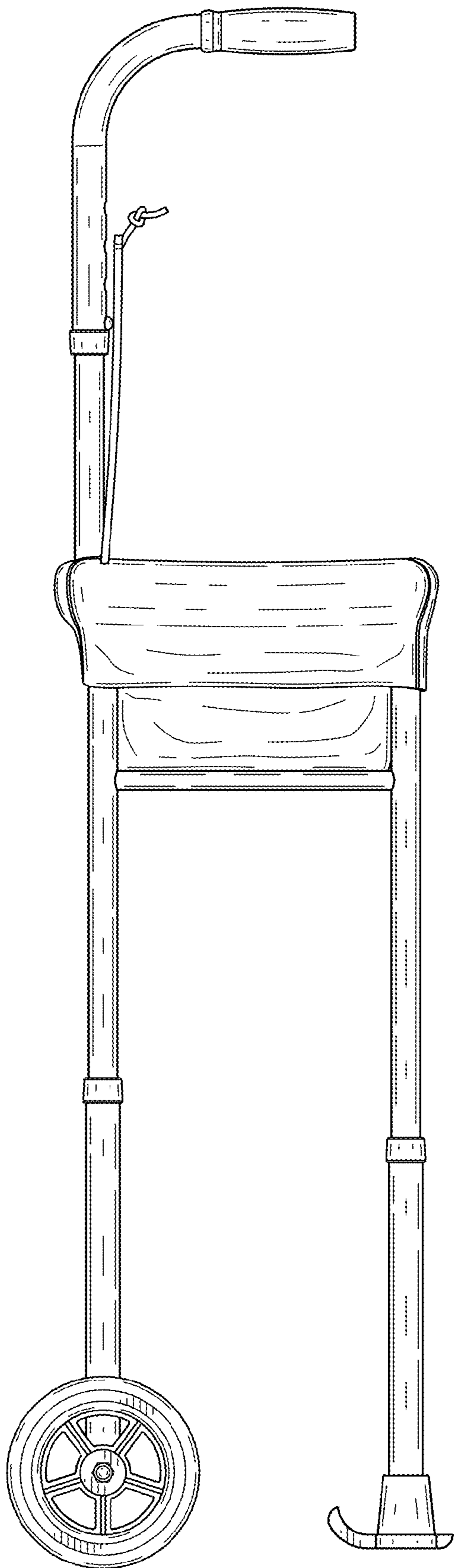


FIG. 14

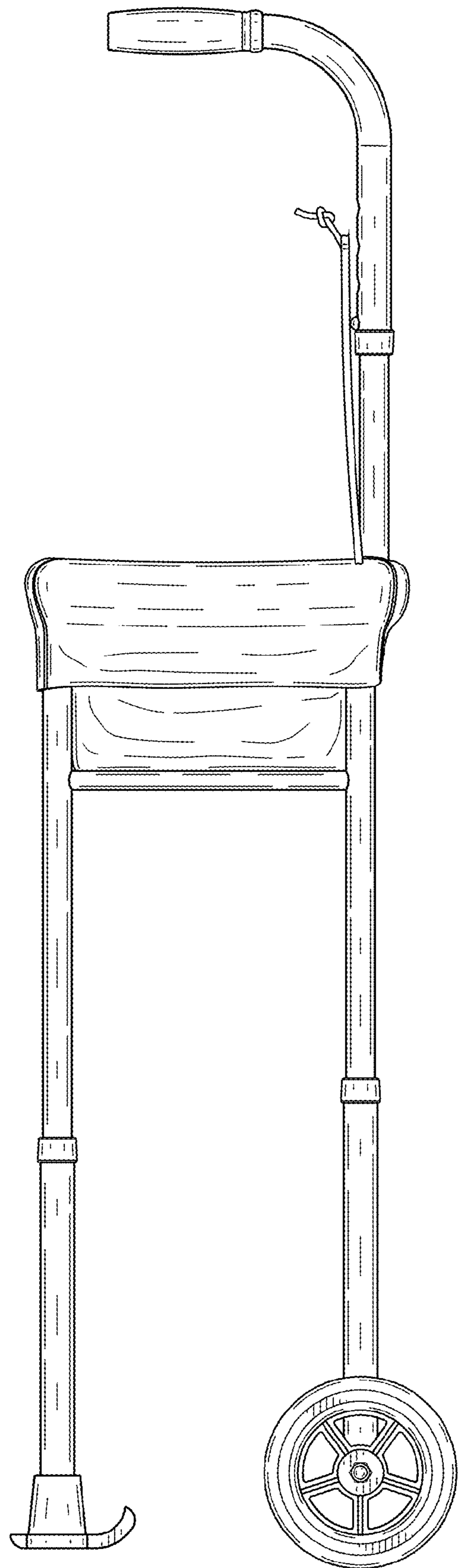


FIG. 15

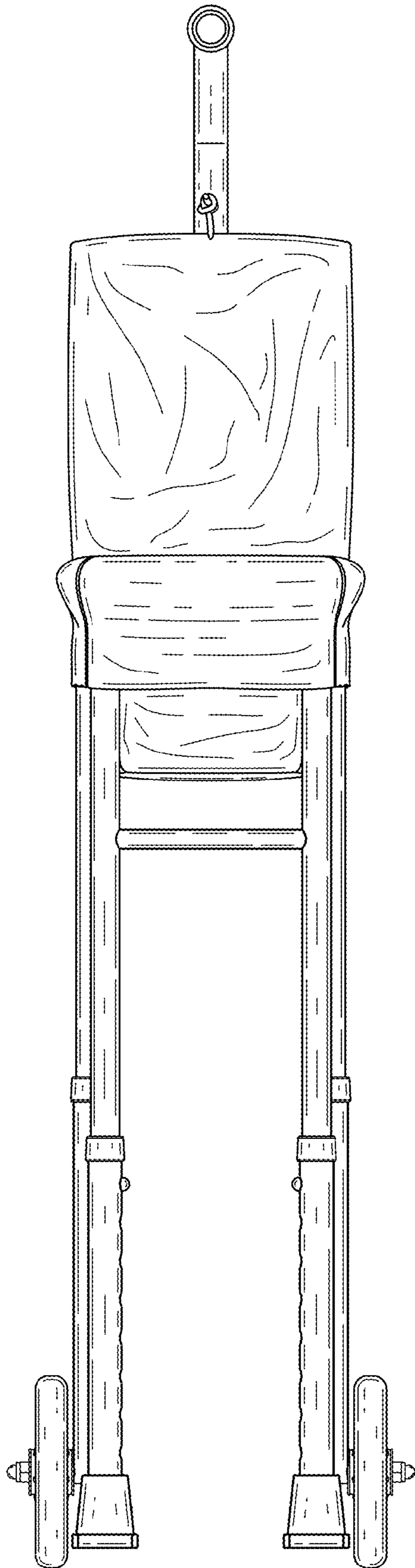


FIG. 16

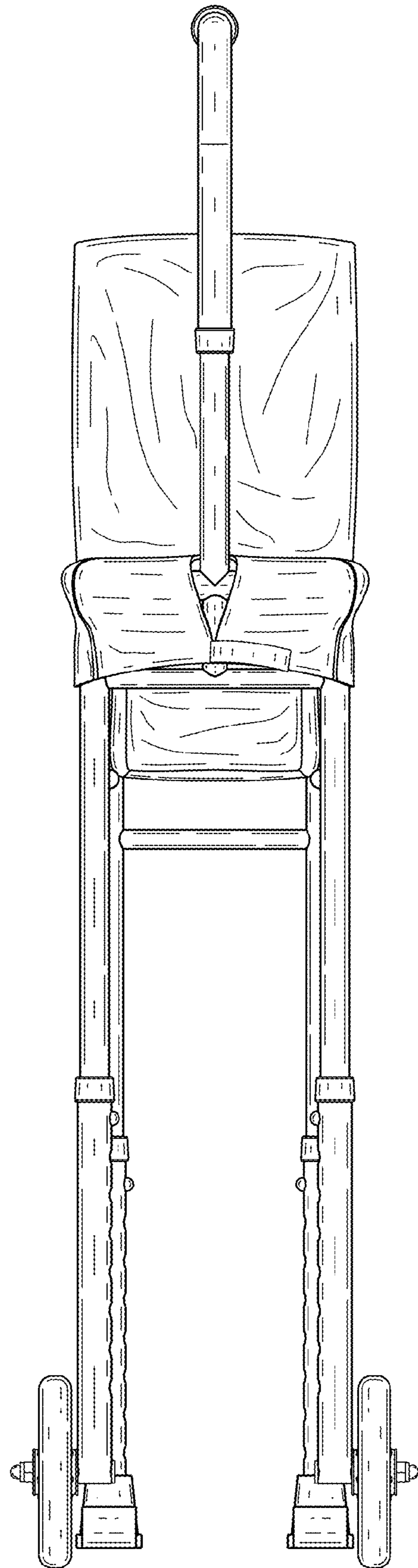


FIG. 17