



US00D955734S

(12) **United States Design Patent**
Chang

(10) **Patent No.:** **US D955,734 S**
(45) **Date of Patent:** **** Jun. 28, 2022**

- (54) **SHOE**
- (71) Applicant: **NIKE, Inc.**, Beaverton, OR (US)
- (72) Inventor: **Leo S. Chang**, Portland, OR (US)
- (73) Assignee: **NIKE, Inc.**, Beaverton, OR (US)
- (**) Term: **15 Years**
- (21) Appl. No.: **29/716,694**
- (22) Filed: **Dec. 11, 2019**
- (51) **LOC (13) Cl.** **02-04**
- (52) **U.S. Cl.**
USPC **D2/973**
- (58) **Field of Classification Search**
USPC D2/896, 902, 904, 906-908, 946, 947,
D2/949, 951, 953, 954, 955, 956, 960,
D2/964, 967, 968, 972, 973, 977
CPC A43B 5/00; A43B 13/181; A43B 13/141;
A43B 23/26; A43B 13/188; A43B 23/00
See application file for complete search history.

CN	304133924 S	5/2017
CN	304377617 S	12/2017
CN	304532046 S	3/2018
CN	304667851 S	6/2018
CN	304948693 S	12/2018
CN	304977446 S	1/2019
CN	305005817 S	1/2019
KR	30-0958546	5/2018

OTHER PUBLICATIONS

“The Nike KD 12 “Blue Gaze” Releases on Nov. 1”; Sneaker News; retrieved Oct. 28, 2019; published Oct. 14, 2019; URL: <https://sneakernews.com/2019/10/14/nike-kd-12-blue-gaze-ar4229-400-release-date/>.

* cited by examiner

Primary Examiner — Garth Rademaker
Assistant Examiner — Laura H Yu
(74) *Attorney, Agent, or Firm* — Banner & Witcoff, Ltd.

(56) **References Cited**

U.S. PATENT DOCUMENTS

4,670,998 A *	6/1987	Pasternak	A43B 5/00 36/114
D296,492 S *	7/1988	Brown	D2/972
D309,824 S *	8/1990	Aveni	D2/970
D347,317 S *	5/1994	Avar	D2/902
D486,632 S *	2/2004	Adams	D2/969
D587,002 S	2/2009	Chang		
D614,389 S	4/2010	Petrie		
D781,563 S	3/2017	Chang		
D862,047 S *	10/2019	Patillon	D2/908
D882,932 S *	5/2020	Seamarks	D2/972
11,122,861 B2 *	9/2021	Tresser	A43B 7/24

FOREIGN PATENT DOCUMENTS

CN	303405889 S	10/2015
CN	304084585 S	3/2017

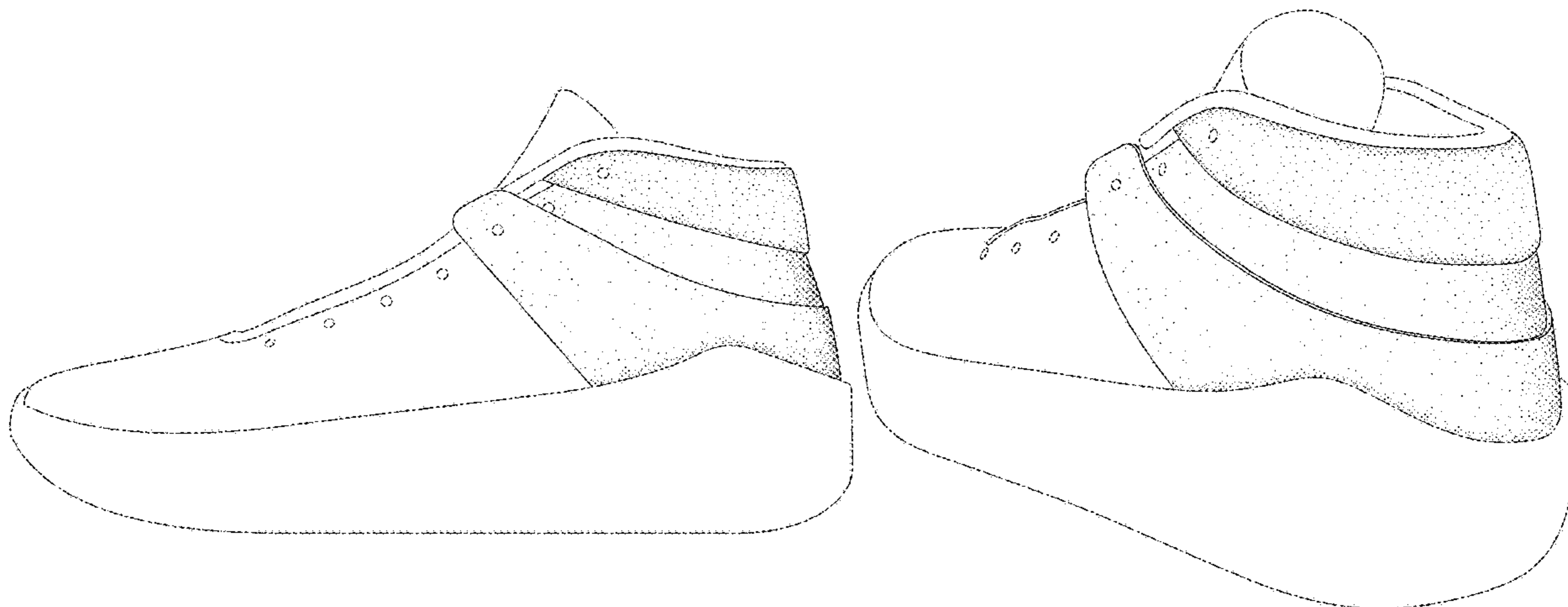
(57) **CLAIM**

The ornamental design for a shoe, as shown and described.

DESCRIPTION

FIG. 1 is a side view of a shoe showing my new design; FIG. 2 is a rear perspective view thereof; FIG. 3 is a rear view thereof; FIG. 4 is an opposite side rear perspective view thereof; and, FIG. 5 is an opposite side view thereof. The broken lines immediately adjacent to the shaded area define the bounds of the claimed design and form no part thereof. The broken lines showing of the small circular regions represent eyelets and form no part of the claimed design. The broken lines depicting the remainder of the shoe form no part of the claimed design.

1 Claim, 5 Drawing Sheets



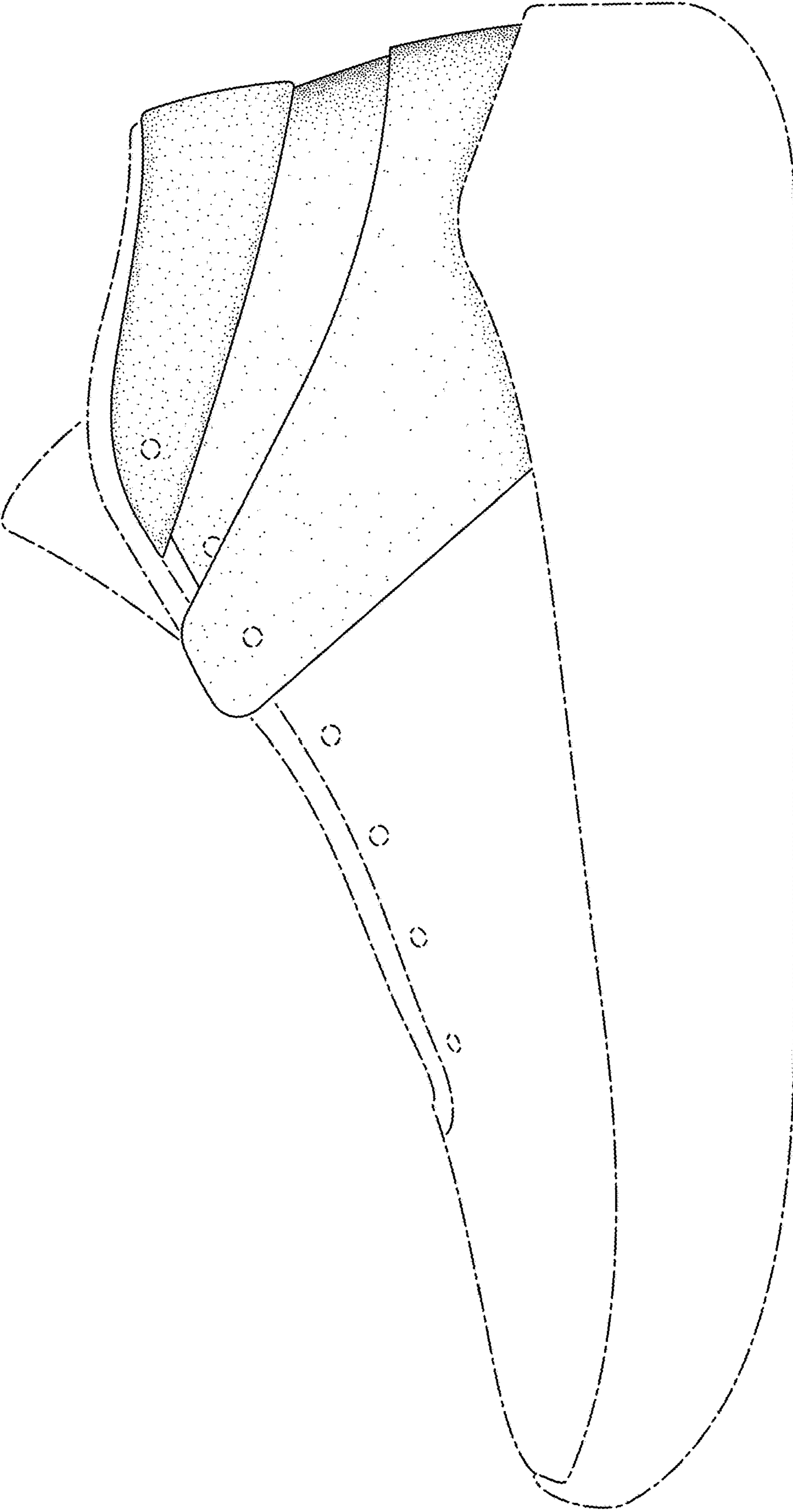


FIG. 1

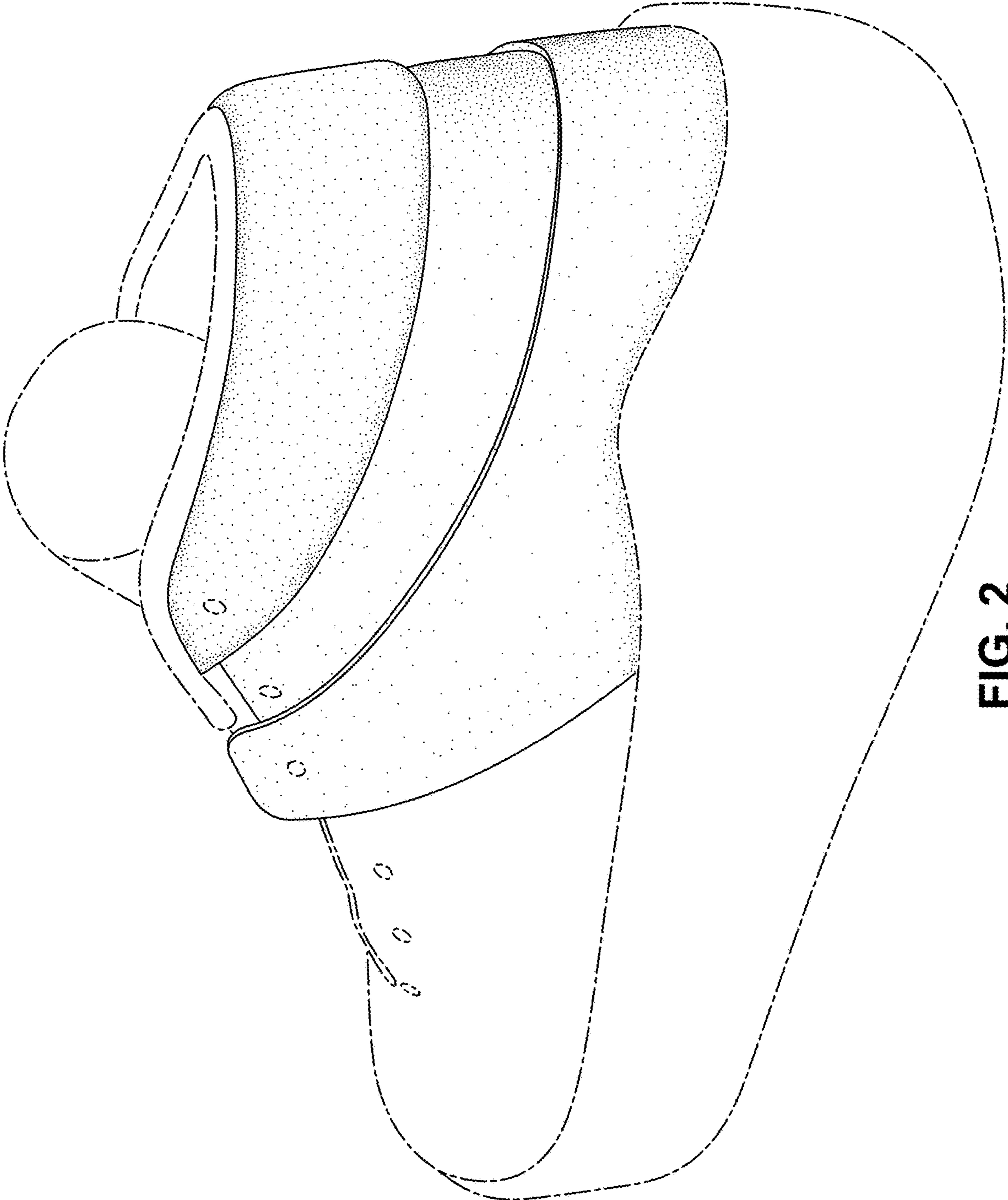


FIG. 2

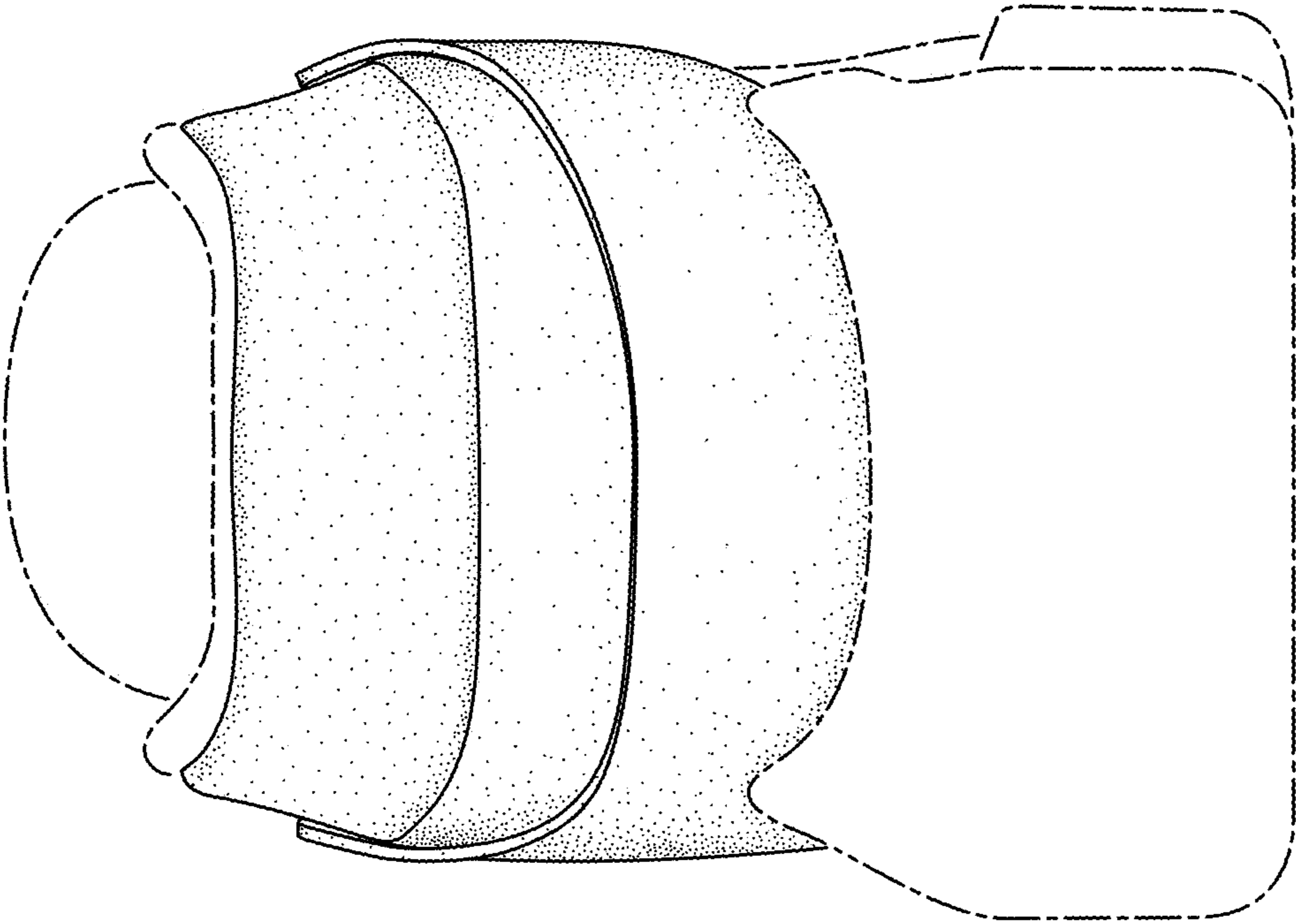


FIG. 3

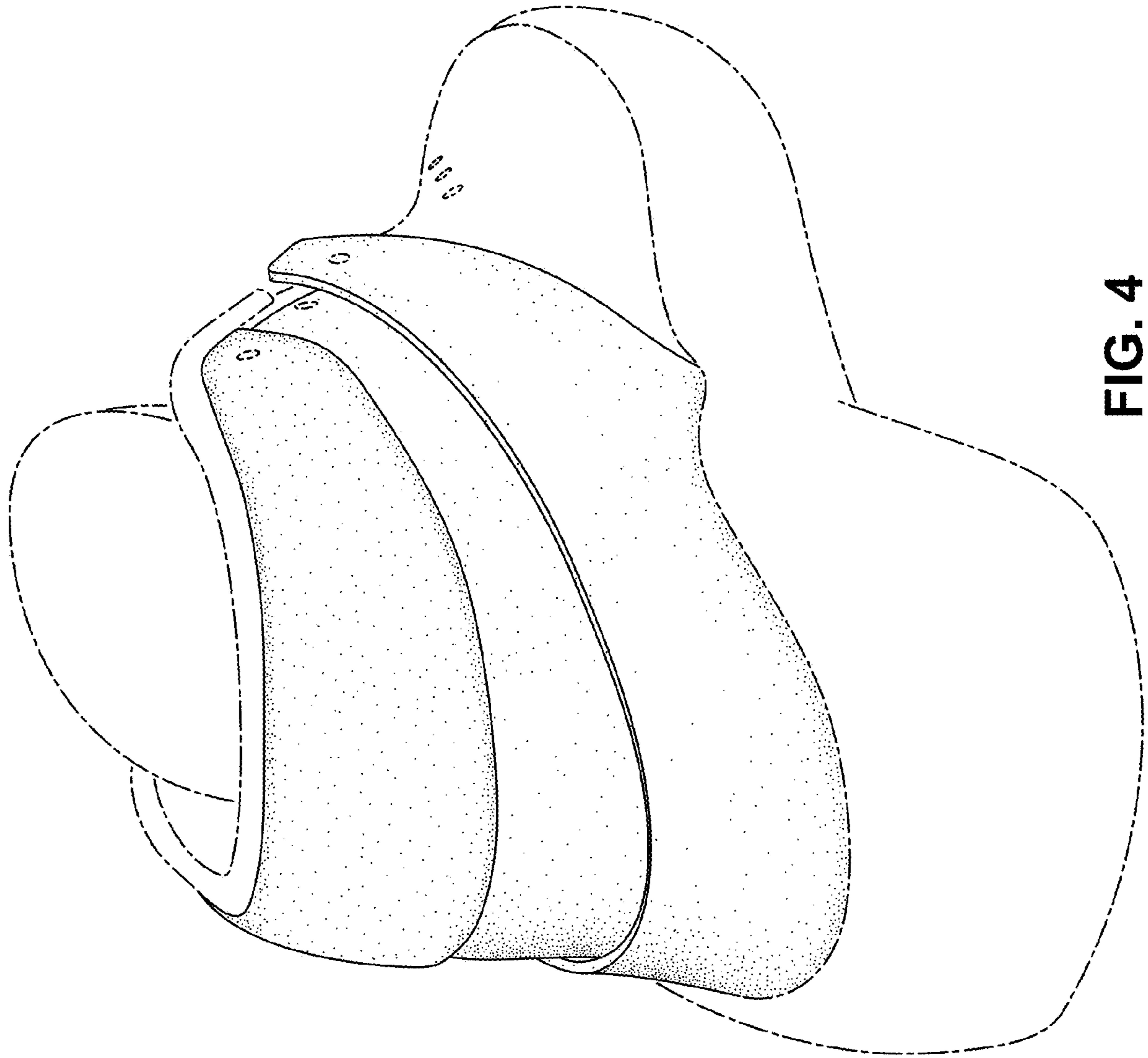


FIG. 4

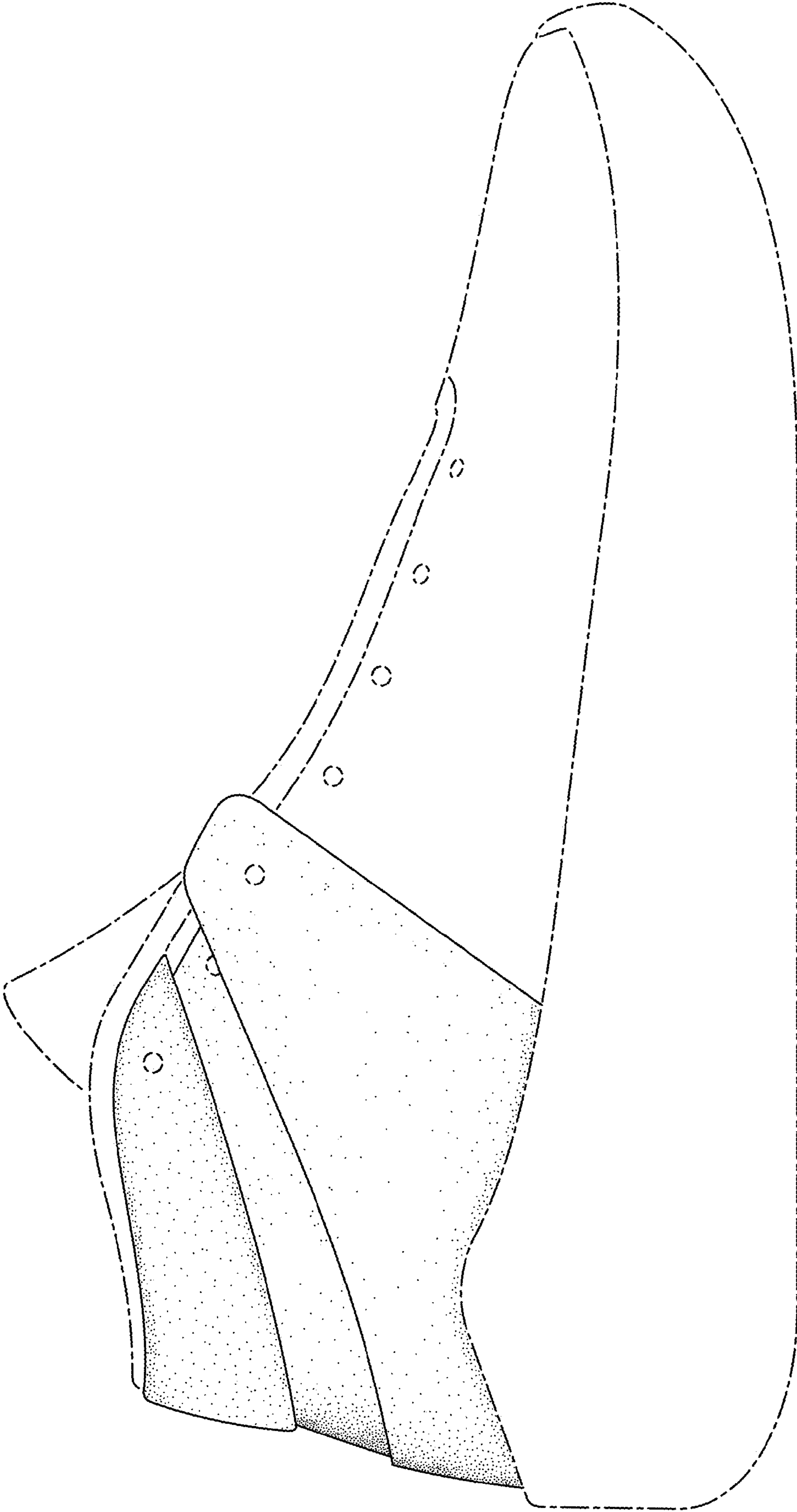


FIG. 5