



US00D955729S

(12) **United States Design Patent**  
**Frain Terras et al.**

(10) **Patent No.:** **US D955,729 S**  
(45) **Date of Patent:** **\*\* Jun. 28, 2022**

(54) **FOOTWEAR UPPER**

(71) Applicant: **Deckers Outdoor Corporation**, Goleta, CA (US)

(72) Inventors: **Helene A. Frain Terras**, Santa Barbara, CA (US); **Esther Kim**, Santa Barbara, CA (US)

(73) Assignee: **DECKERS OUTDOOR CORPORATION**, Goleta, CA (US)

(\*\*) Term: **15 Years**

(21) Appl. No.: **29/755,215**

(22) Filed: **Oct. 19, 2020**

(51) **LOC (13) Cl.** ..... **02-04**

(52) **U.S. Cl.**  
USPC ..... **D2/969**; D2/916

(58) **Field of Classification Search**  
USPC ..... D2/896, 900, 902, 904, 906-908, D2/916-924, 925-945, 969-979  
CPC .... A43B 1/00; A43B 1/02; A43B 1/04; A43B 3/00; A43B 3/02; A43B 3/06; A43B 3/10; A43B 3/12; A43B 3/14; A43B 5/00; A43B 5/001; A43B 5/002; A43B 5/008; A43B 5/06; A43B 5/10; A43B 5/12; A43B 23/00; A43B 23/02; A43B 23/04; A43B 23/14; A43B 23/16; A43B 23/17; A43B 23/24; A43B 23/25; A43B 23/26  
See application file for complete search history.

(56) **References Cited**

**U.S. PATENT DOCUMENTS**

D354,846 S \* 1/1995 Minkin ..... D2/916  
D572,449 S \* 7/2008 Ringholz ..... D2/917  
D614,381 S 4/2010 MacIntyre  
D624,731 S \* 10/2010 Lambert ..... D2/916  
D624,733 S \* 10/2010 O'Boyle ..... D2/896  
D627,544 S \* 11/2010 Carol ..... D2/919

D648,105 S \* 11/2011 Schlageter ..... D2/923  
D667,202 S \* 9/2012 Kovacs ..... D2/919  
D706,527 S \* 6/2014 Dillenbeck ..... D2/971  
D708,827 S \* 7/2014 Kue ..... D2/923  
D726,397 S \* 4/2015 Del Biondi ..... D2/923  
D764,153 S \* 8/2016 Engerman ..... D2/923  
D787,166 S \* 5/2017 Doak ..... D2/919  
D825,899 S \* 8/2018 Engerman ..... D2/923  
D833,125 S \* 11/2018 Laska ..... D2/916  
D843,089 S \* 3/2019 Chanthavong ..... D2/916

(Continued)

**OTHER PUBLICATIONS**

Fluff Yeah Slide, Ugg.com, [online], [site visited Mar. 18, 2022].  
<URL: [https://www.ugg.com/womens-slippers/fluff-yeah-slide/1095119.html?dwvar\\_1095119\\_color=BLK](https://www.ugg.com/womens-slippers/fluff-yeah-slide/1095119.html?dwvar_1095119_color=BLK)> (Year: 2022).\*

(Continued)

*Primary Examiner* — Jonathan J Han

(74) *Attorney, Agent, or Firm* — Greer, Burns & Crain, Ltd.

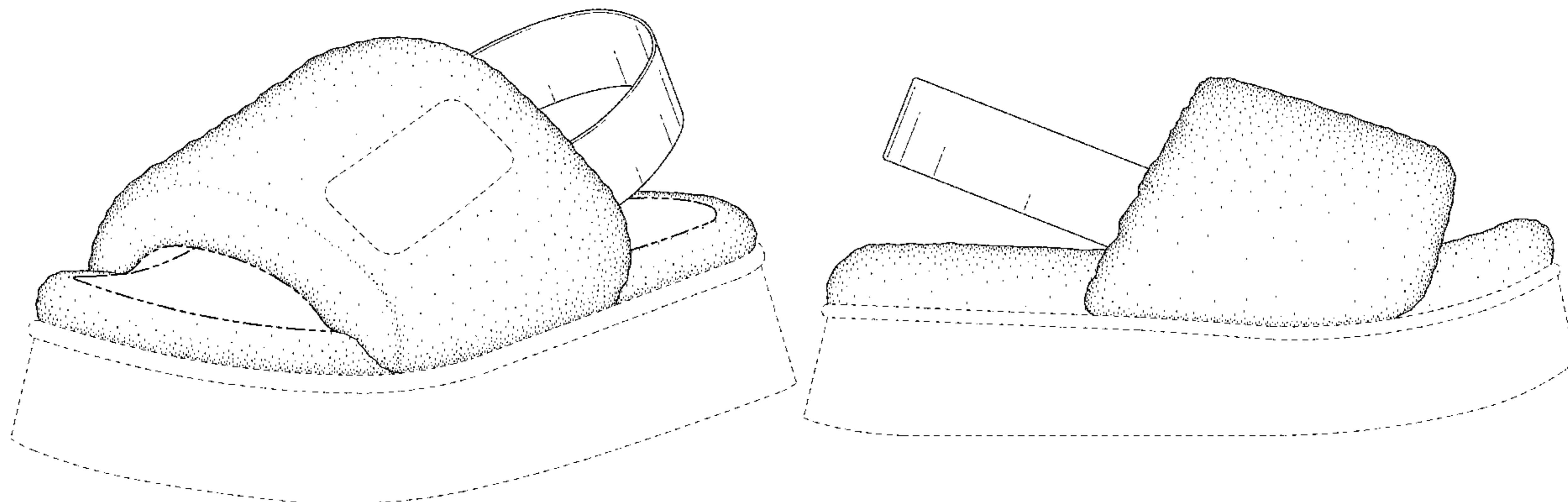
(57) **CLAIM**

The ornamental design for a footwear upper, as shown and described.

**DESCRIPTION**

FIG. 1 is a front perspective view of a footwear upper showing our new design;  
FIG. 2 is a side elevational view thereof;  
FIG. 3 is an opposite side elevational view thereof;  
FIG. 4 is a front elevational view thereof;  
FIG. 5 is a rear elevational view thereof;  
FIG. 6 is a top plan view thereof; and,  
FIG. 7 is a bottom plan view thereof.  
The broken lines in FIGS. 1-7 show portions of the footwear that form no part of the claimed design. The dot-dot-dash broken lines which define the bounds of the claimed design form no part thereof.

**1 Claim, 3 Drawing Sheets**



(56)

References Cited

U.S. PATENT DOCUMENTS

D844,945	S	*	4/2019	Ellis	.....	D2/916
D844,947	S	*	4/2019	Ellis	.....	D2/916
D846,868	S	*	4/2019	Chanthavong	.....	D2/974
D853,695	S	*	7/2019	Maurer	.....	D2/916
D866,941	S		11/2019	Kim		
D872,981	S	*	1/2020	Hooper	.....	D2/896
D874,797	S	*	2/2020	Fongher	.....	D2/923
D876,051	S	*	2/2020	Abadjian	.....	D2/916
D878,717	S	*	3/2020	Jackson	.....	D2/916
D901,869	S		11/2020	Kim		
D901,870	S		11/2020	Kim		
D903,990	S	*	12/2020	Ransan	.....	D2/946
D906,647	S	*	1/2021	Earle	.....	D2/913
D909,027	S	*	2/2021	Fongher	.....	D2/923
D910,288	S	*	2/2021	Funcck	.....	D2/923
D919,255	S	*	5/2021	Mayhew	.....	D2/923
D919,256	S	*	5/2021	Thompson	.....	D2/923
D920,652	S	*	6/2021	Frain Terras	.....	D2/932
D927,150	S	*	8/2021	Shi	.....	D2/919
D930,958	S	*	9/2021	Dayon	.....	D2/919
D938,701	S	*	12/2021	Lee	.....	D2/919
2011/0023335	A1	*	2/2011	Carol	.....	A43B 3/10 36/43

OTHER PUBLICATIONS

Fluffita, Ugg.com, [online], [site visited Mar. 18, 2022]. <URL: [https://www.ugg.com/womens-slippers/fluffita/1113475.html?dwvar\\_1113475\\_color=CBB](https://www.ugg.com/womens-slippers/fluffita/1113475.html?dwvar_1113475_color=CBB)> (Year: 2022).\*

Tommyfit Baby Girl Fluffy Fur Soft Sole Crib Sandals Shoes, Walmart.com, [online], [site visited Mar. 18, 2022]. <URL: <https://www.walmart.com/ip/Tommyfit-Baby-Girl-Fluffy-Fur-Soft-Sole-Crib-Sandals-Shoes/251891282?athbdg=L1400>> (Year: 2022).\*

UGG Australia catalog, Winter 2002 collection, “Fluff Slide” p. 29, Nov. 2002.

Are Rihanna Puma Fur Slides Worth It? They Aren’t Shower Shoes But They Sure Are Comfy, Bustle.com, by Amy Sciarretto, <https://www.bustle.com/articles/161253-are-rihanna-puma-fur-slides-worih-it-they-arent-shower-shoes-but-they-sure-are-comfy>, May 17, 2016.

Co-pending design U.S. Appl. No. 29/690,180, filed May 6, 2019.

Co-pending design U.S. Appl. No. 29/663,103, filed Sep. 12, 2018.

Co-pending design U.S. Appl. No. 29/699,054, filed Jul. 23, 2019.

UGG Australia catalog, Fall/Winter 1999, “Cluggette”, “Roo”, “Mate” pp. 16-17, Nov. 1999.

UGG Australia catalog, Fall/Winter 2004, “Coquette” p. 13, Nov. 2004.

UGG Australia catalog, Winter 2002 collection, “Fluff Scuff” p. 29, Nov. 2002.

Puma Drops New Monochrome Platform Sandals, Missbish, by Jana K. Hoffman, at <https://missbish.com/puma-drops-new-monochrome-platform-sandals/> Apr. 2017.

Co-pending design U.S. Appl. No. 29/722,222, filed Jan. 28, 2020.

Co-pending design U.S. Appl. No. 29/714,233, filed Nov. 21, 2019.

\* cited by examiner

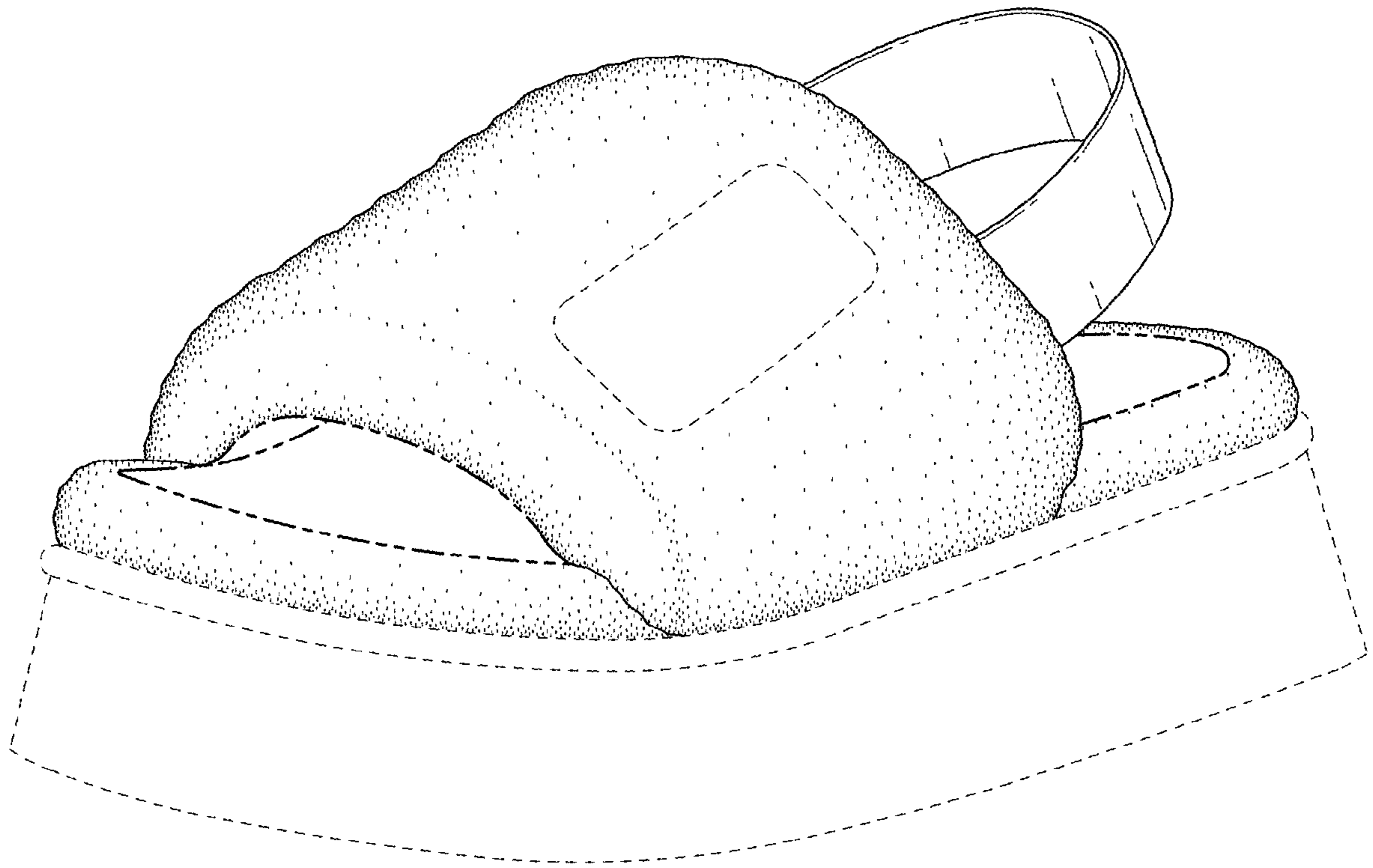


FIG. 1

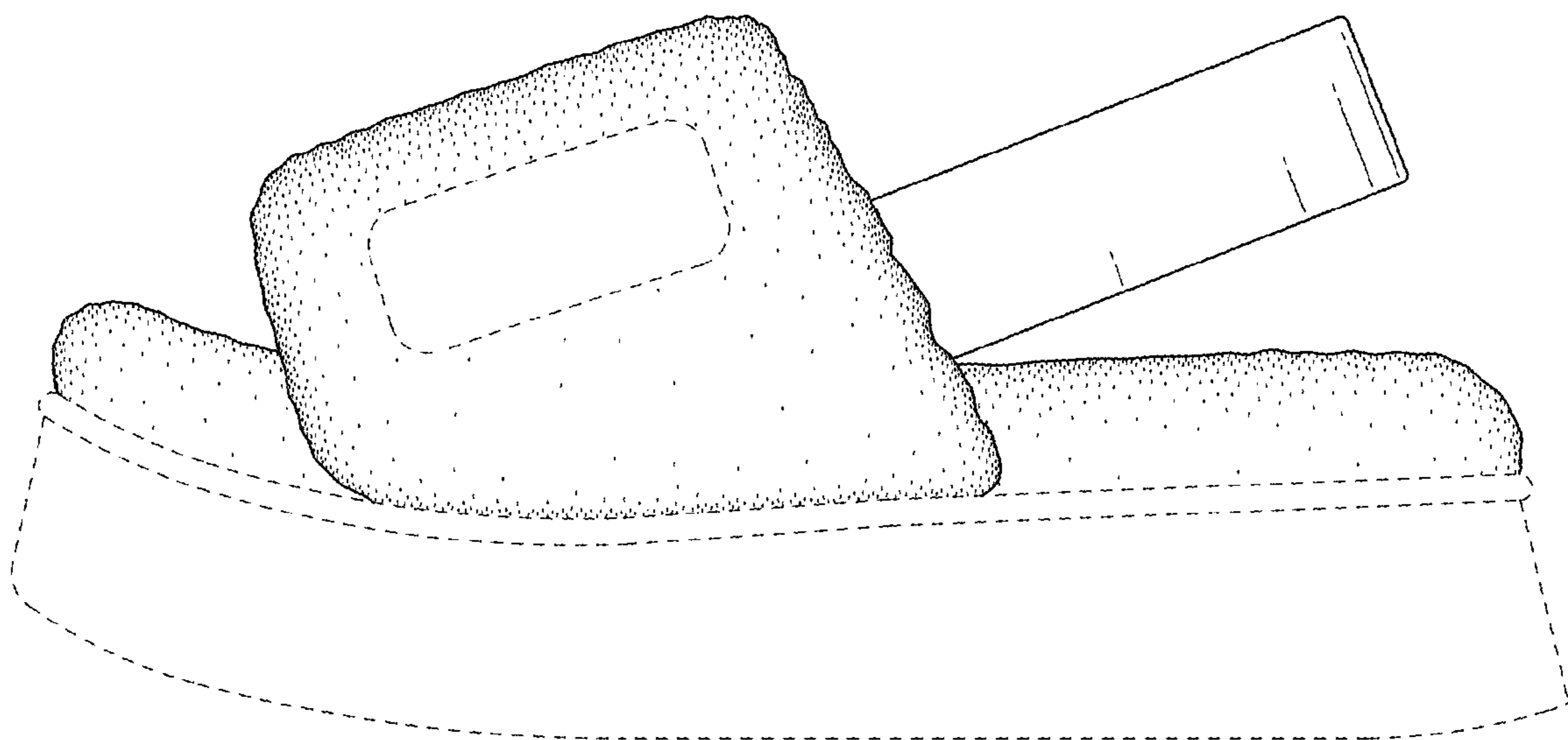


FIG. 2



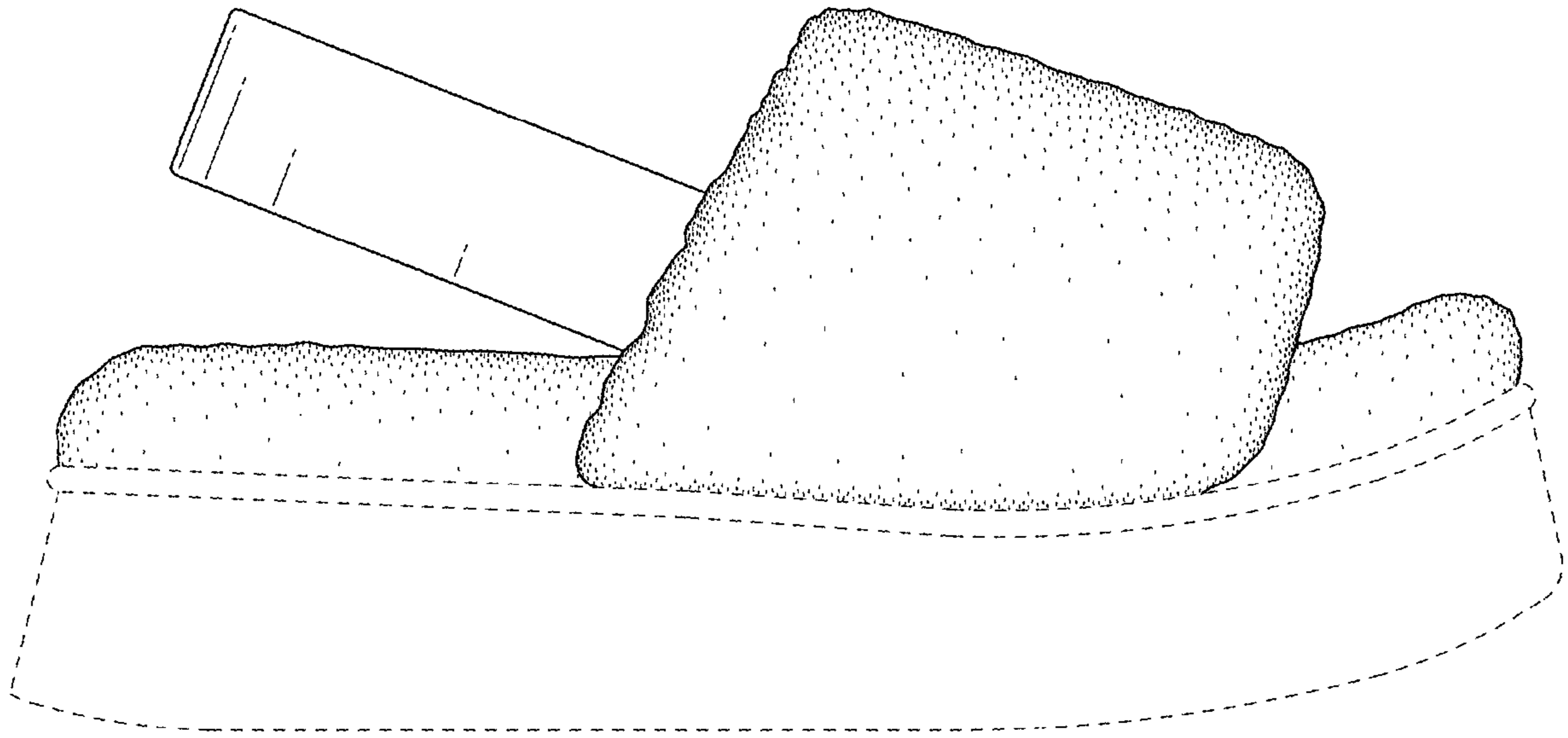


FIG. 3

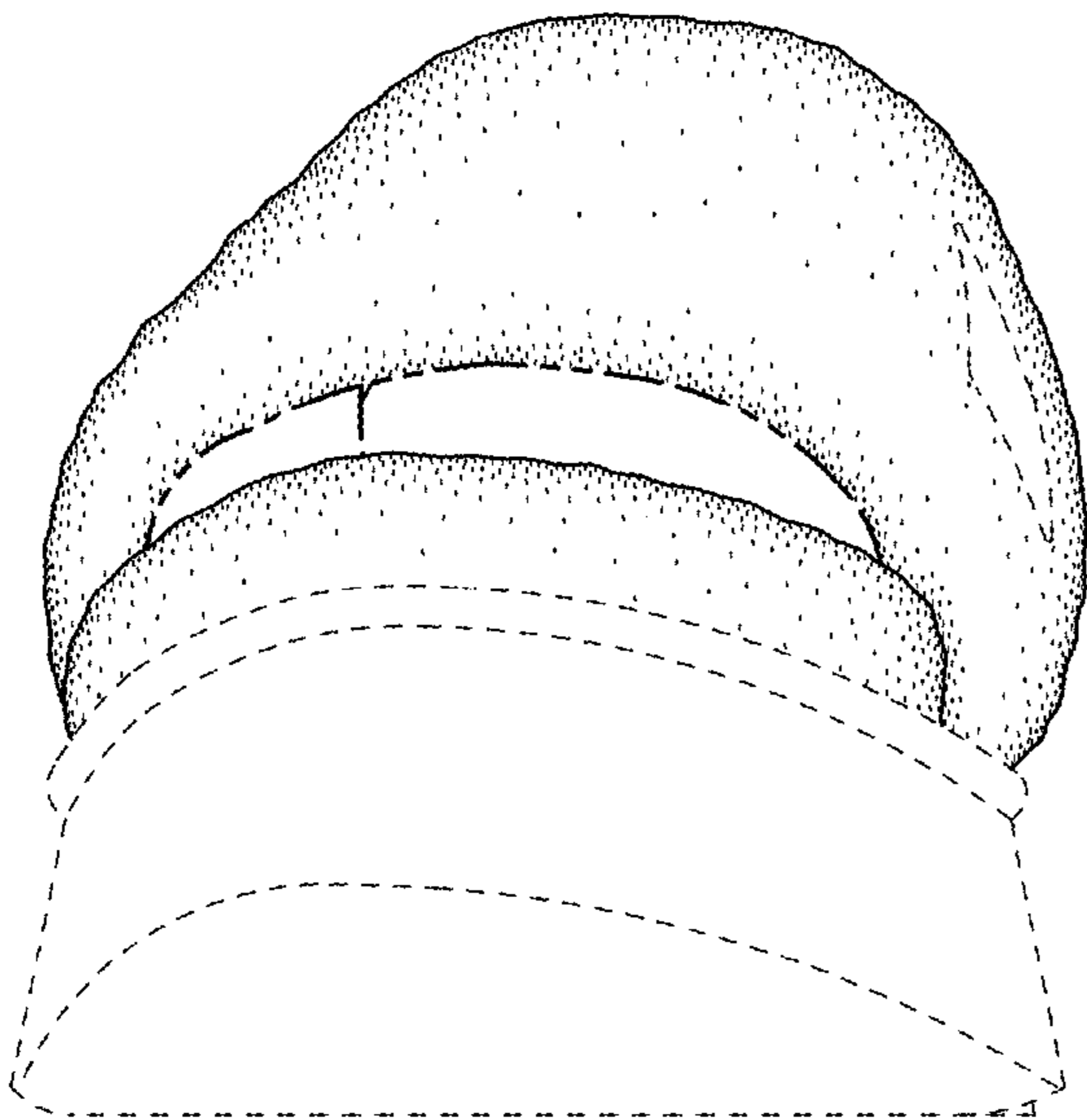


FIG. 4

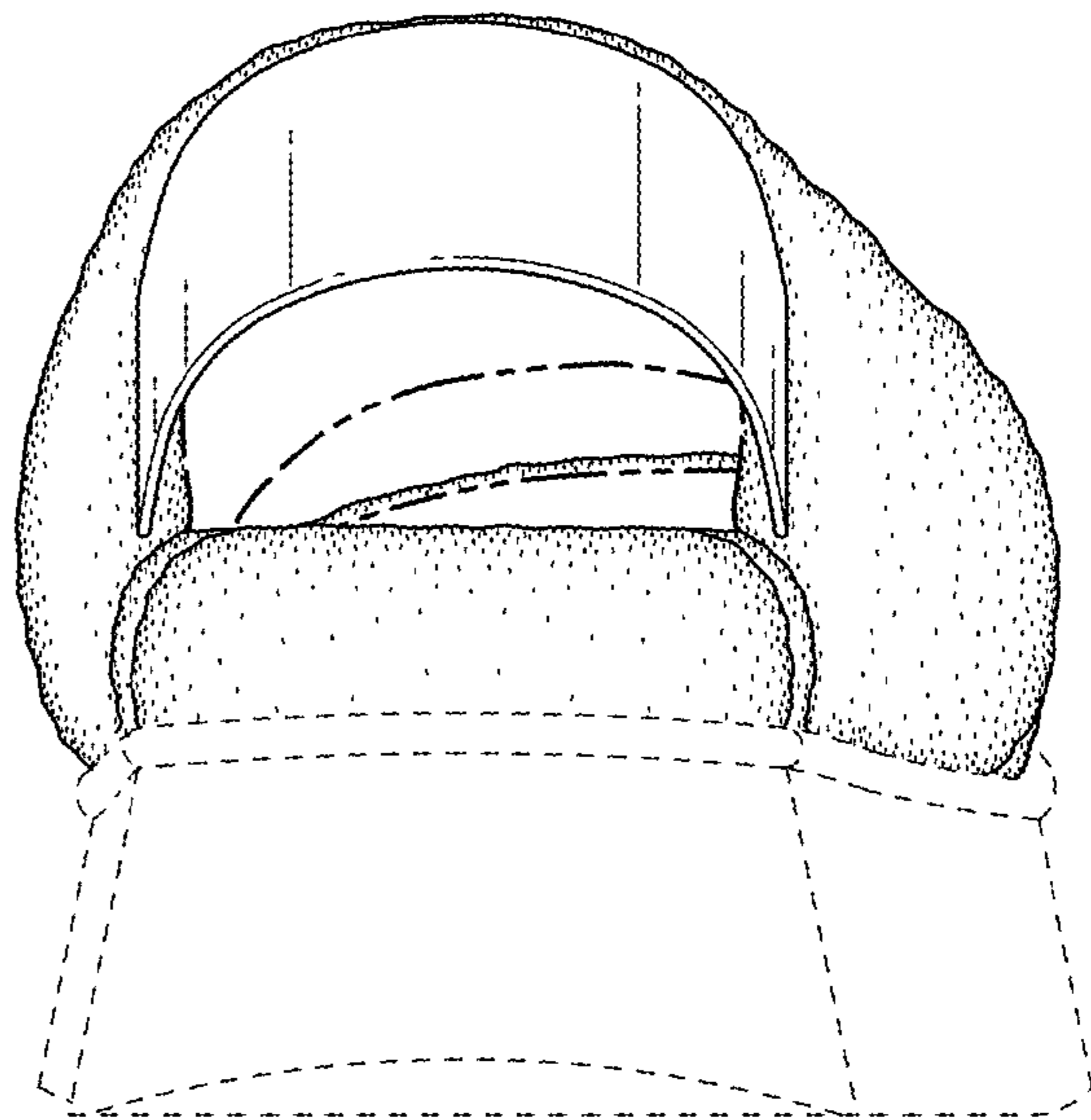


FIG. 5

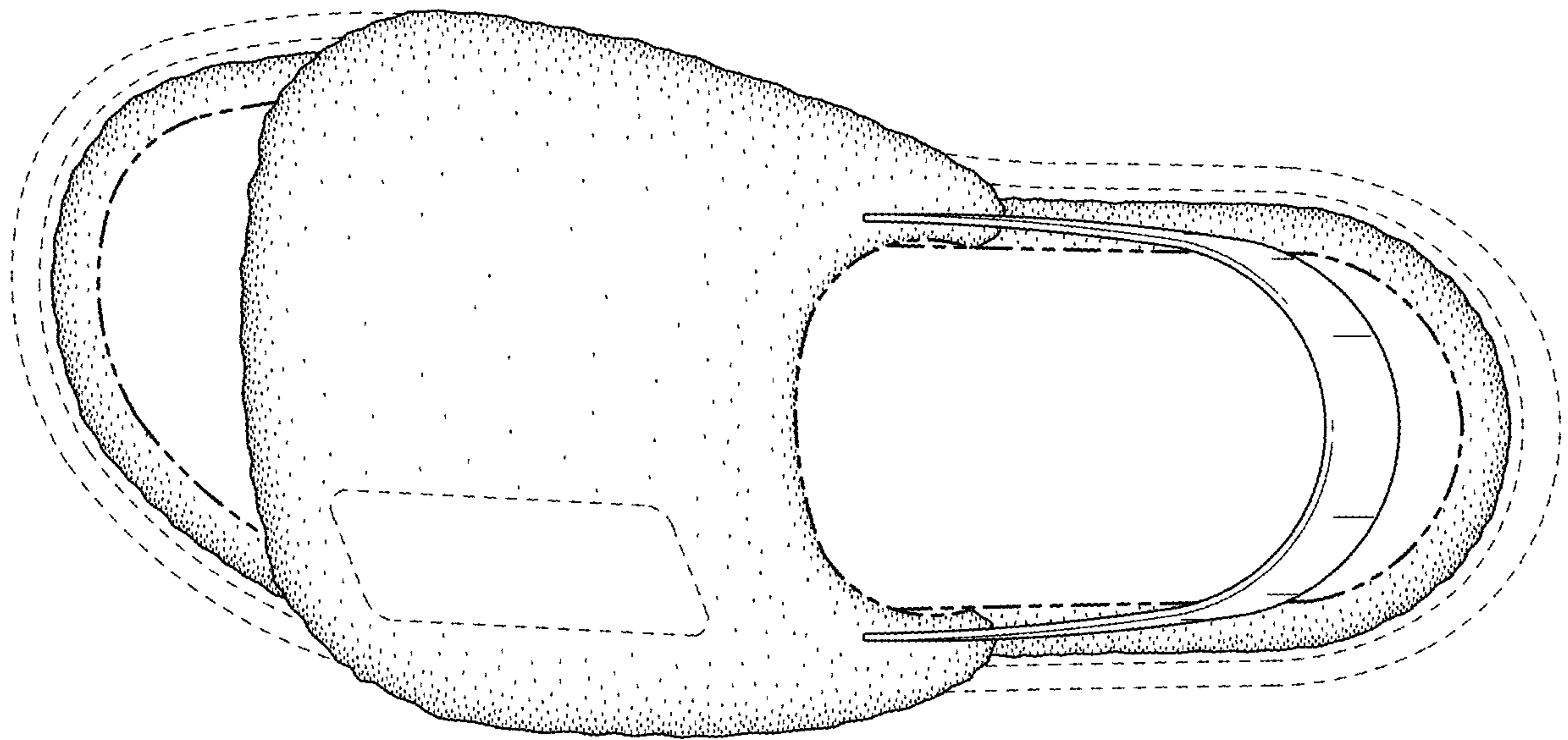


FIG. 6

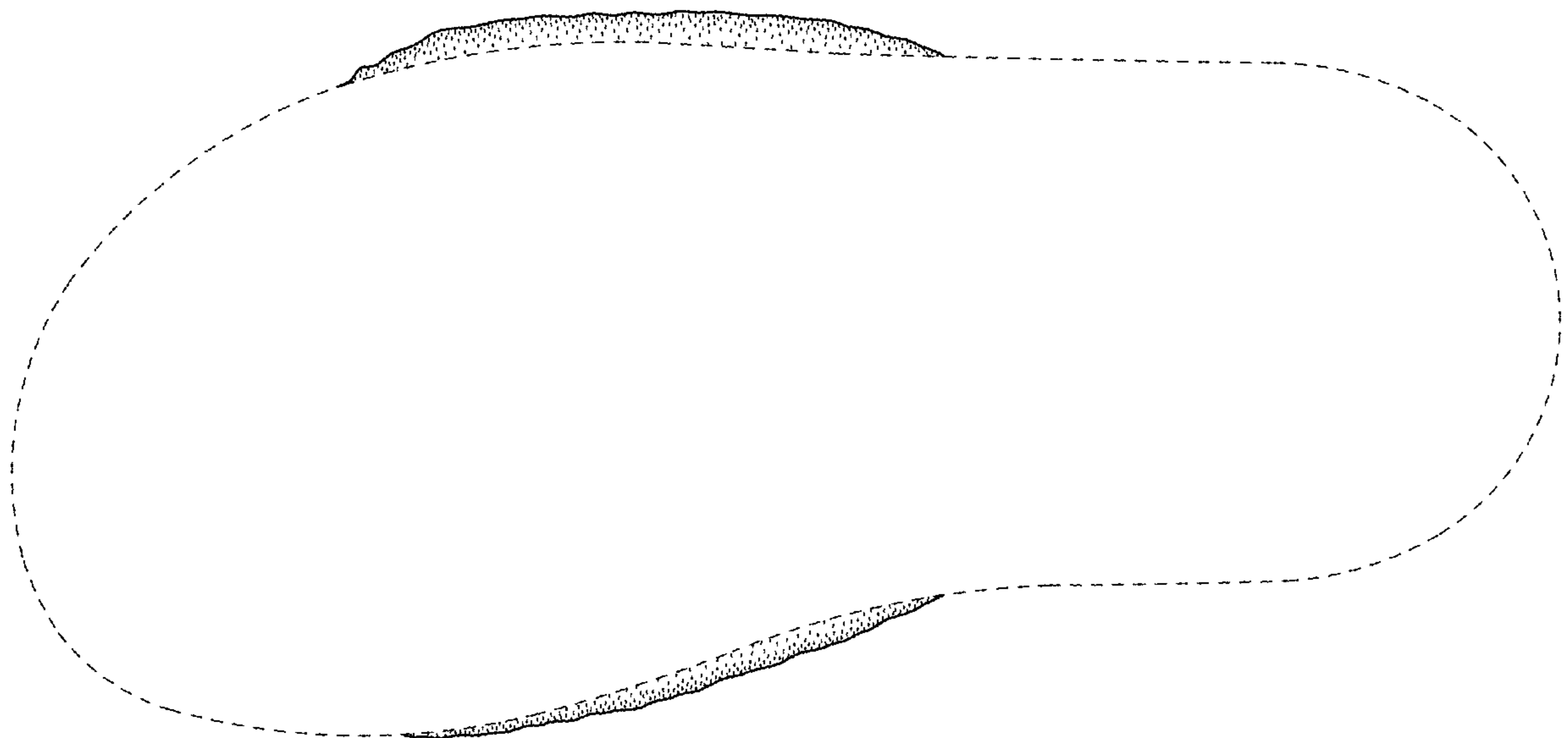


FIG. 7