



US00D955725S

(12) **United States Design Patent**
Parrett

(10) **Patent No.:** **US D955,725 S**
(45) **Date of Patent:** **** Jun. 28, 2022**

- (54) **SHOE**
- (71) Applicant: **NIKE, Inc.**, Beaverton, OR (US)
- (72) Inventor: **Laura C. Parrett**, Portland, OR (US)
- (73) Assignee: **NIKE, Inc.**, Beaverton, OR (US)
- (**) Term: **15 Years**
- (21) Appl. No.: **29/746,882**
- (22) Filed: **Aug. 18, 2020**
- (51) **LOC (13) Cl.** **02-04**
- (52) **U.S. Cl.**
USPC **D2/957**; D2/951; D2/953; D2/960
- (58) **Field of Classification Search**
USPC D2/902, 906, 908, 916, 918, 925,
D2/946-962, 977; 36/3 B, 22 R, 24.5,
36/25 R, 28, 32 R, 34 R, 59 C, 67 A, 103
CPC A43B 13/00; A43B 13/02; A43B 13/023;
A43B 13/026; A43B 13/04; A43B 13/08;
A43B 13/10; A43B 13/12; A43B 13/14;
A43B 13/141; A43B 13/143; A43B
13/16; A43B 13/18; A43B 13/181; A43B
13/187; A43B 13/189; A43B 13/20; A43B
13/22; A43B 13/223; A43B 13/24; A43B
13/28; A43B 13/30; A43B 13/32; A43B
13/34; A43B 13/36
See application file for complete search history.

- (56) **References Cited**
U.S. PATENT DOCUMENTS
4,378,643 A * 4/1983 Johnson A43B 13/223
36/129
4,439,936 A * 4/1984 Clarke A43B 13/26
36/102
4,562,651 A * 1/1986 Frederick A43B 13/141
36/102
D282,693 S * 2/1986 Brayer D2/952

- D318,170 S * 7/1991 Hatfield D2/954
- D321,977 S * 12/1991 Kilgore D2/954
- D330,800 S * 11/1992 Lucas D2/960
- D356,671 S * 3/1995 Blanchini D2/960
- 5,408,761 A * 4/1995 Gazzano A43C 11/008
36/31
- D380,075 S * 6/1997 Sell, Jr. D2/959
- D385,392 S * 10/1997 Cass D2/954
- D388,945 S * 1/1998 Teague D2/954
- D392,446 S * 3/1998 Fogg D2/954
- D392,449 S * 3/1998 Worthington D2/960
- D394,938 S * 6/1998 Lupo D2/954
- D394,944 S * 6/1998 Doxey D2/954

(Continued)

OTHER PUBLICATIONS

“The Nike Air Max 2090 Borrows The Air Max 95’s Best Known Colorway”; SneakerNews; retrieved Aug. 4, 2020; published Jul. 18, 2020; URL: <<https://sneakernews.com/2020/07/18/nike-air-max-2090-da1506-001-release-info/>>.

(Continued)

Primary Examiner — T Chase Nelson
(74) *Attorney, Agent, or Firm* — Banner & Witcoff, Ltd.

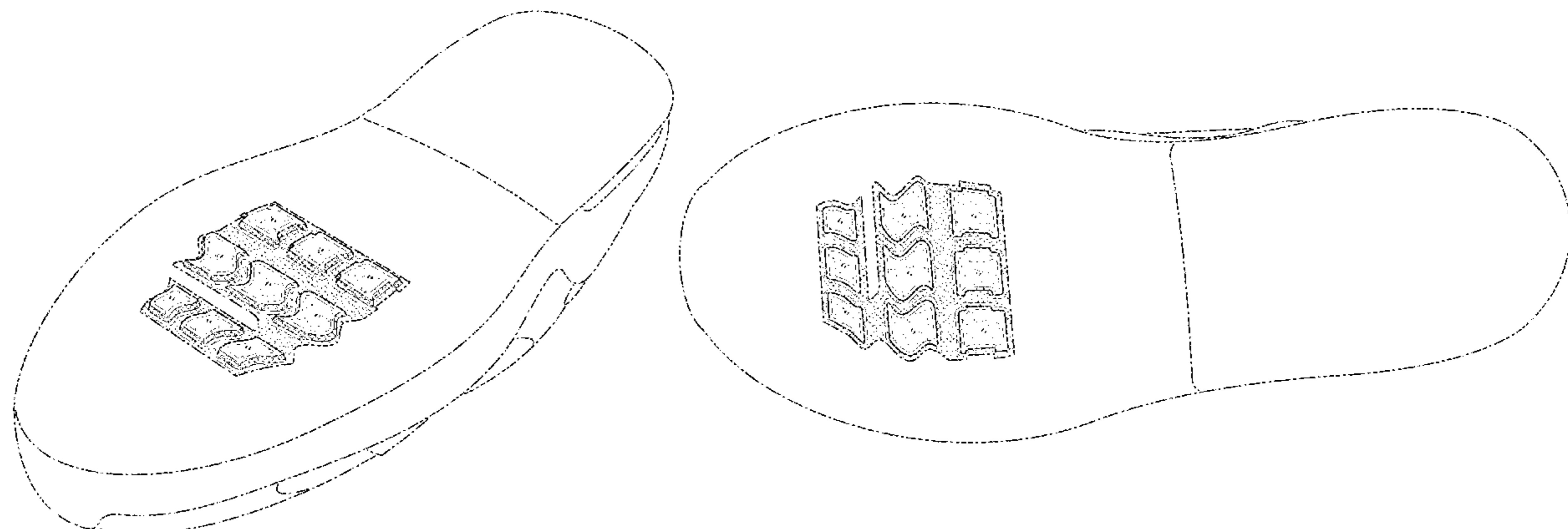
(57) **CLAIM**

The ornamental design for a shoe, as shown and described.

DESCRIPTION

FIG. 1 is a bottom front perspective view of a shoe showing my new design;
FIG. 2 is a bottom view thereof; and,
FIG. 3 is a bottom rear perspective view thereof.
The broken line small circle in the center of each ground-engaging element forms no part of the claimed design. The broken line immediately adjacent to and surrounding the shaded area defines the peripheral bounds of the claimed design and forms no part thereof. The broken lines depicting the remainder of the shoe form no part of the claimed design.

1 Claim, 3 Drawing Sheets



(56)

References Cited

U.S. PATENT DOCUMENTS

D394,945 S * 6/1998 Doxey D2/951
 D395,339 S * 6/1998 Gray D2/954
 D395,340 S * 6/1998 Tresser D2/953
 D395,740 S * 7/1998 Cass D2/951
 D400,345 S * 11/1998 Teague D2/954
 D452,061 S * 12/2001 Smith D2/947
 D476,141 S * 6/2003 Matis D2/954
 6,665,958 B2 * 12/2003 Goodwin A43B 13/206
 36/35 B
 D530,493 S * 10/2006 Holmes D2/954
 D530,494 S * 10/2006 Holmes D2/954
 D553,833 S * 10/2007 Walden D2/960
 D570,582 S * 6/2008 Roy D2/954
 D586,991 S * 2/2009 Fuerst D2/951
 D589,692 S * 4/2009 McClaskie D2/951
 D657,941 S * 4/2012 Bramani D2/908
 D672,543 S * 12/2012 Williams, Jr. D2/951
 D672,949 S * 12/2012 Bramani D2/951
 D680,722 S 4/2013 Link
 D711,637 S * 8/2014 Miner D2/951
 D713,135 S * 9/2014 Tucker D2/951
 D735,454 S * 8/2015 Yun D2/951
 D779,177 S * 2/2017 Gibson D2/951
 D794,923 S * 8/2017 Maurer A43B 13/26
 D2/917
 D828,990 S * 9/2018 Evans D2/961
 D843,704 S 3/2019 Hong
 D851,881 S * 6/2019 Hatfield D2/951
 D853,695 S * 7/2019 Maurer D2/916
 D871,734 S * 1/2020 Gerig D2/951
 D871,738 S * 1/2020 Gibson D2/951
 D879,435 S * 3/2020 de Montgolfier D2/951
 D880,127 S 4/2020 Powers
 D882,924 S * 5/2020 Rasmussen D2/951
 D890,493 S * 7/2020 VanHook D2/951
 D893,836 S * 8/2020 Montross D2/902
 D894,559 S * 9/2020 Murphy-Reinhertz D2/951
 D894,566 S * 9/2020 Murphy-Reinhertz D2/951
 D894,567 S * 9/2020 Murphy-Reinhertz D2/951
 D894,568 S * 9/2020 de Montgolfier B33Y 80/00
 D2/951
 D894,569 S * 9/2020 de Montgolfier D2/951
 D894,570 S * 9/2020 de Montgolfier D2/951
 D895,246 S * 9/2020 Murphy-Reinhertz D2/951
 D896,493 S * 9/2020 Hernandez D2/951
 D902,548 S * 11/2020 Hatfield A43B 7/081
 D2/951
 D905,409 S * 12/2020 Bloor A43B 13/206
 D2/947

D908,333 S * 1/2021 Ngene D2/951
 D910,294 S * 2/2021 Gerig D2/951
 D910,297 S * 2/2021 Schenone D2/951
 D911,003 S * 2/2021 Richez D2/947
 D919,946 S * 5/2021 Kerr D2/947
 D925,876 S * 7/2021 Bramani D2/947
 D932,166 S * 10/2021 Eldem D2/954
 D933,338 S * 10/2021 Sassi D2/947
 D939,197 S * 12/2021 Papp D2/954
 D940,446 S * 1/2022 Sokol D2/951
 2006/0201028 A1 * 9/2006 Chan A43B 13/141
 36/28
 2009/0056172 A1 * 3/2009 Cho A43B 7/081
 36/3 R
 2010/0269376 A1 * 10/2010 Flannery A43B 13/141
 36/34 R
 2011/0078922 A1 * 4/2011 Cavaliere B29D 35/10
 36/77 R
 2012/0233888 A1 * 9/2012 Baker A43B 5/025
 36/133
 2016/0135540 A1 * 5/2016 Smith A43B 13/22
 36/59 R
 2016/0295955 A1 * 10/2016 Wardlaw A43B 13/141
 2017/0341325 A1 * 11/2017 Le B33Y 80/00
 2019/0366667 A1 * 12/2019 Cross A43D 35/00
 2020/0297071 A1 * 9/2020 Troufanov A43B 13/181
 2020/0305551 A1 * 10/2020 Campos, II B29D 35/122
 2021/0145120 A1 * 5/2021 Campos, II A43B 13/189

OTHER PUBLICATIONS

“Nike Reveals A Blueprint On This Upcoming Air Max 200”; SneakerNews; retrieved Aug. 4, 2020; published Jan. 2, 2020; URL: <<https://sneakernews.com/2020/01/02/nike-air-max-200-cu6647-100-release-date/>>.
 “The Nike Air Max 270 Is Arriving Soon In The Simple White, Black, and Volt”; SneakerNews; retrieved Aug. 4, 2020; published Jul. 14, 2020; URL: <<https://sneakernews.com/2020/07/14/nike-air-max-270-volt-dc0957-100/>>.
 “A Classic “Oreo” Look Arrives On The Nike Air Max 720”; SneakerNews; retrieved Aug. 4, 2020; published Mar. 29, 2020; URL: <<https://sneakernews.com/2020/03/29/nike-air-max-720-black-white-cj0585-003-release-info/>>.
 “The Nike Air Max 200 Borrows The Classic “Dusty Cactus” Colorway”; SneakerNews; retrieved Aug. 4, 2020; published Aug. 8, 2019; URL: <<https://sneakernews.com/2019/08/08/nike-air-max-200-dusty-cactus-at6175-105-release-info/>>.

* cited by examiner

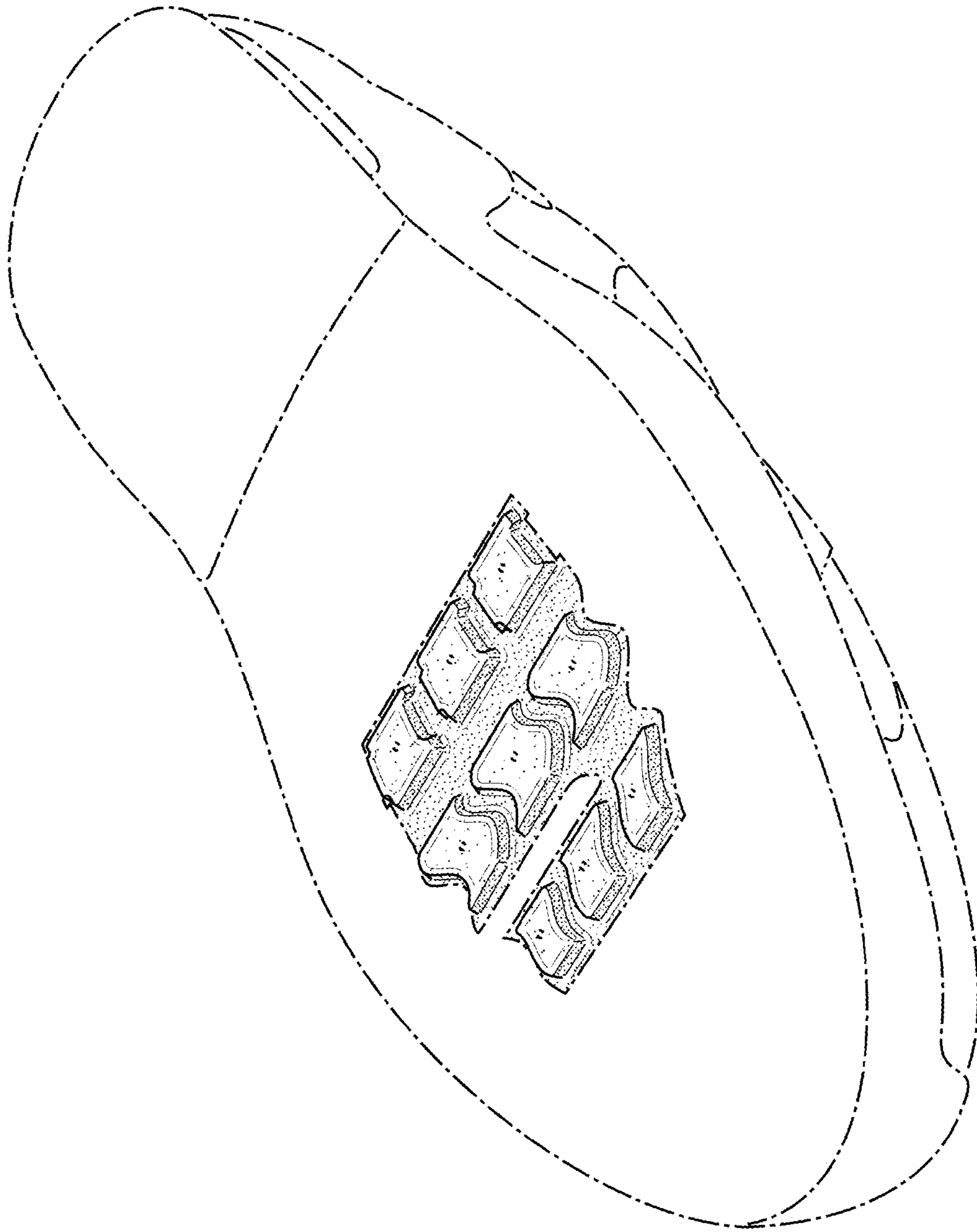


FIG. 1

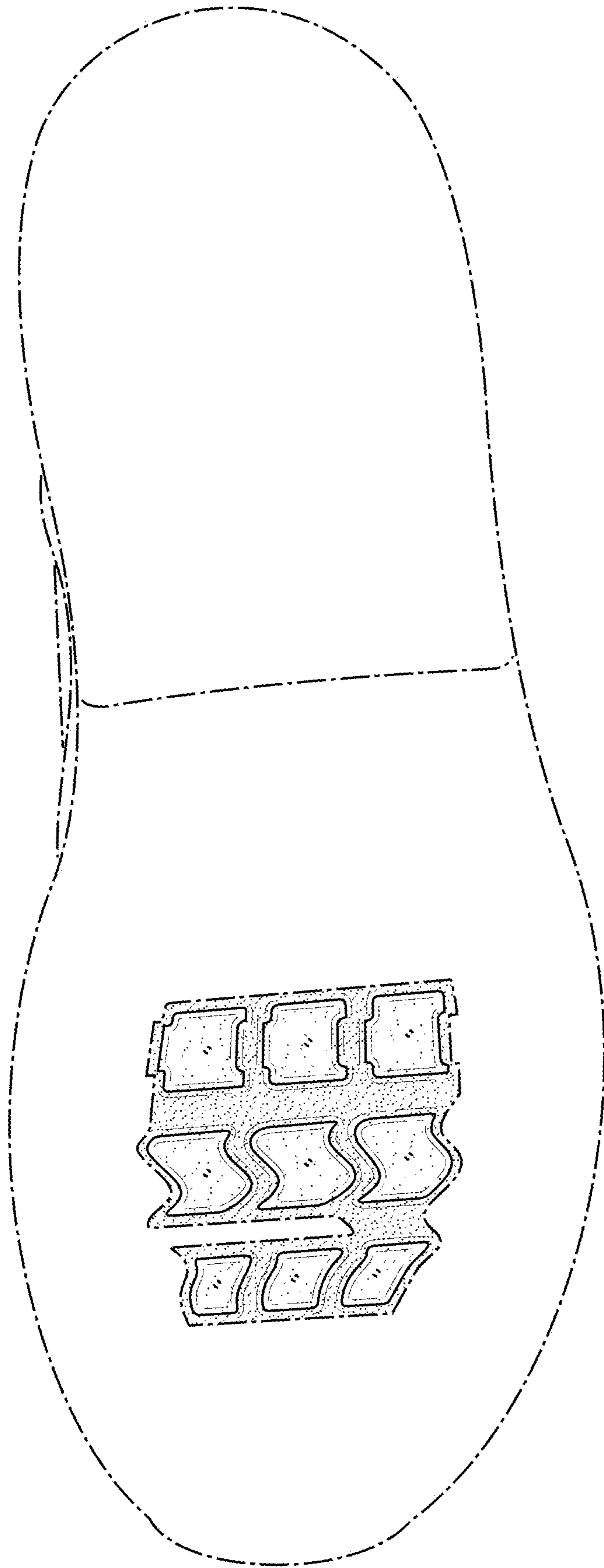


FIG. 2

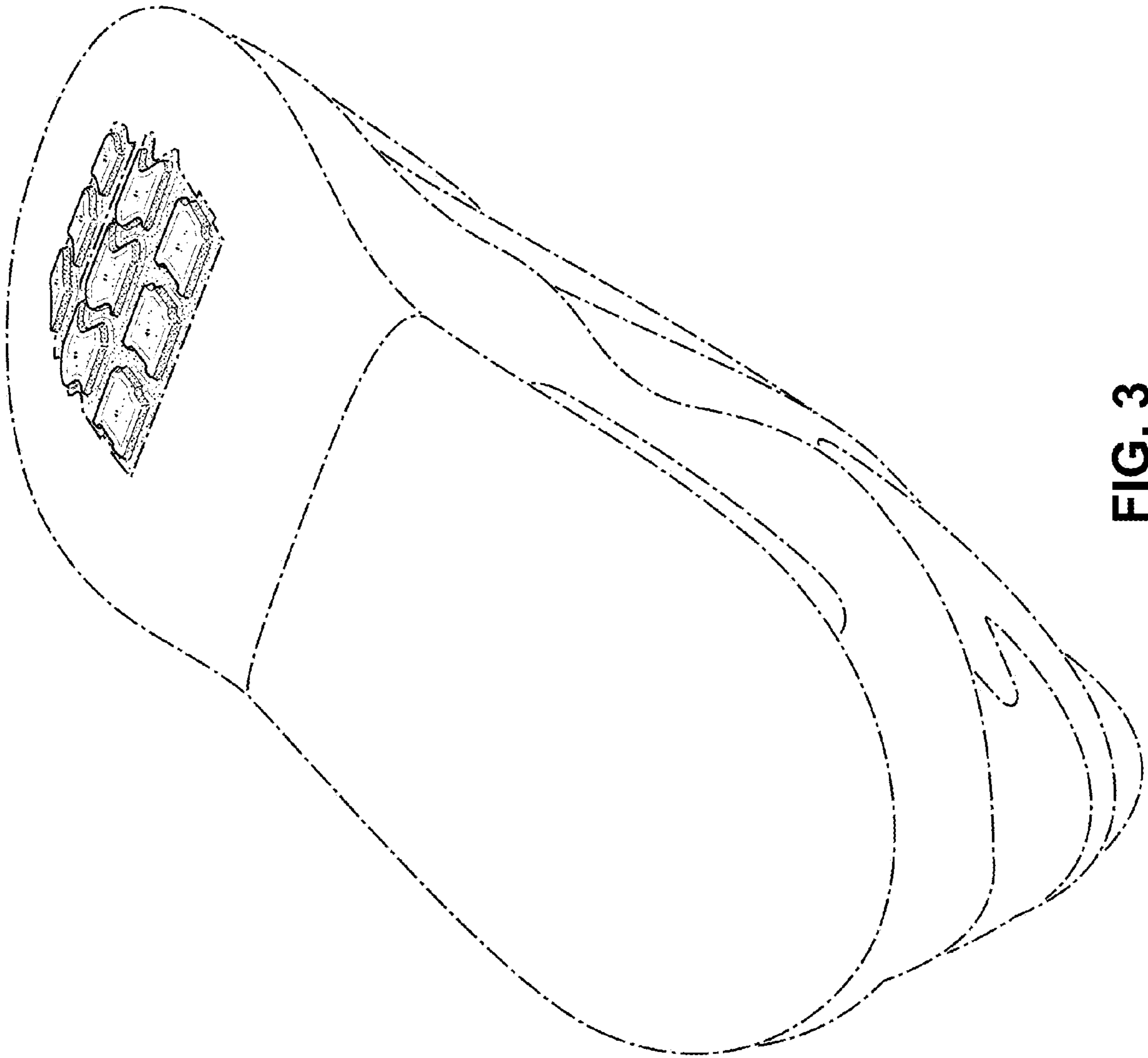


FIG. 3