



US00D955711S

(12) **United States Design Patent**
Sogorb

(10) **Patent No.:** **US D955,711 S**
(45) **Date of Patent:** **** Jun. 28, 2022**

- (54) **SHOE SOLE**
- (71) Applicant: **PUMA SE**, Herzogenaurach (DE)
- (72) Inventor: **Boris Sogorb**, Nuremberg (DE)
- (73) Assignee: **PUMA SE**, Herzogenaurach (DE)
- (**) Term: **15 Years**
- (21) Appl. No.: **29/816,520**
- (22) Filed: **Nov. 23, 2021**

4,766,681 A 8/1988 O'Rourke et al.
 D414,318 S 9/1999 Merceron
 D416,669 S 11/1999 Parr et al.
 (Continued)

FOREIGN PATENT DOCUMENTS

CN	304213041	7/2017
CN	304318906	10/2017
CN	304334958	10/2017

OTHER PUBLICATIONS

Fenty Puma by Rihanna posted by PUMA posted date Mar. 29, 2017 © YouTube, [online], [site visited Aug. 1, 2019]. Available from Internet, <https://www.youtube.com/watch?v=WEyKeShWL7I> (Year: 2017).

(Continued)

Primary Examiner — Garth Rademaker
Assistant Examiner — Laura H Yu
 (74) *Attorney, Agent, or Firm* — Leydig, Voit & Mayer, Ltd.

Related U.S. Application Data

- (62) Division of application No. 29/694,454, filed on Jun. 11, 2019, now Pat. No. Des. 941,002, which is a division of application No. 29/627,332, filed on Nov. 27, 2017, now Pat. No. Des. 887,682.

Foreign Application Priority Data

Sep. 29, 2017 (EM) 004377901

(51) **LOC (13) Cl.** **02-04**

(52) **U.S. Cl.**
USPC **D2/947**

(58) **Field of Classification Search**
 USPC D2/902, 904, 906, 908, 624, 627, 629,
 D2/946, 947, 951, 954, 959, 960, 962;
 D21/769, 771
 CPC A43C 15/06; A43C 15/068; A43C 15/09;
 A43C 15/066; A43C 15/061; A43C 15/10
 See application file for complete search history.

CLAIM

(57) The ornamental design for a shoe sole, as shown and described.

DESCRIPTION

FIG. 1 is a top left front perspective view of the shoe sole showing a first embodiment of my new design;
 FIG. 2 is a top left rear perspective view thereof;
 FIG. 3 is a left side view thereof;
 FIG. 4 is a right side view thereof;
 FIG. 5 is a front view thereof;
 FIG. 6 is a rear view thereof;
 FIG. 7 is a top view thereof; and,
 FIG. 8 is a bottom view thereof.

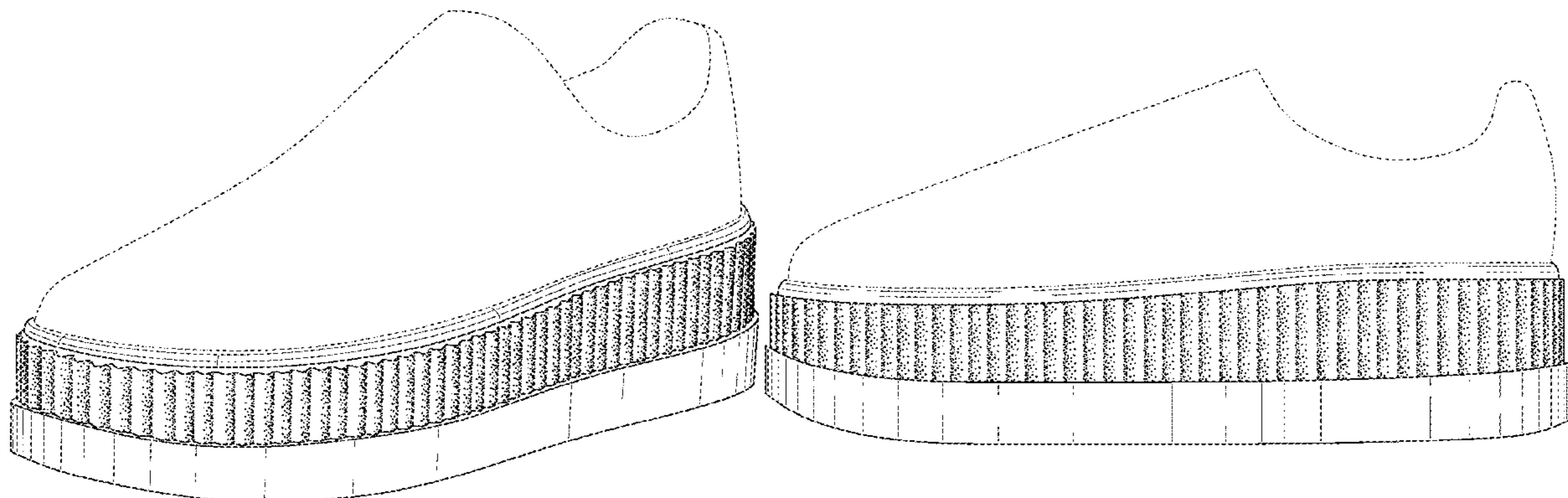
The broken lines in the figures illustrate portions of a shoe which are environmental to the shoe sole and form no part of the claimed design.

1 Claim, 7 Drawing Sheets

(56) **References Cited**

U.S. PATENT DOCUMENTS

2,405,498 A	8/1946	Gregg
D154,501 S	7/1949	Marx
D238,983 S	3/1976	Seeter
4,137,653 A	2/1979	Famolare, Jr. et al.
D297,185 S	8/1988	Berzak



(56)

References Cited

U.S. PATENT DOCUMENTS

D422,401 S 4/2000 Moll
 6,408,544 B1 6/2002 Hernandez
 6,536,137 B1 3/2003 Celia
 D473,041 S 4/2003 Finkelberg
 D623,385 S 9/2010 Stansberry et al.
 8,146,272 B2 4/2012 Dukovic et al.
 D659,953 S 5/2012 Van Zyll De Jong et al.
 D660,566 S 5/2012 Van Zyll De Jong et al.
 D683,937 S 6/2013 Raysse
 D689,674 S 9/2013 Kampff
 D725,359 S 3/2015 Miner
 D729,503 S 5/2015 Carroll et al.
 D738,084 S 9/2015 Feeney
 D760,483 S 7/2016 Siegel
 D768,367 S 10/2016 Henderson et al.
 D774,288 S 12/2016 Pina
 D792,683 S 7/2017 Carroll et al.
 D798,560 S 10/2017 Galway et al.
 D801,010 S 10/2017 Armellin
 D827,258 S 9/2018 Pina
 D841,965 S 3/2019 Goldman et al.
 D861,309 S 10/2019 Wang

D887,682 S 6/2020 Sogorb
 D906,652 S * 1/2021 Lee D2/947
 D941,002 S * 1/2022 Sogorb D2/947

OTHER PUBLICATIONS

Gothic Platform Shoes by Rock Ndoll posted by Rock N Doll posted date unknown © Rock N Doll, [online], [site visited Aug. 1, 2019]. Available from Internet, <https://rockndollstore.com/products/gothic-double-ankle-strap-platform-shoes> (Year: 2019).
 Here Are All The Fenty Puma by Rihanna posted by Lily Chen posted date Sep. 25, 2017, © Hype Bae, [online], [site visited Mar. 17, 2021]. Available from Internet, <https://hypebae.com/2017/9/rihanna-fenty-puma-fall-winter-2017-collection> (Year: 2017).
 52 of Our Favorite Shoes posted by Whitney Bauck posted date Mar. 16, 2017, © Fashionista, [online], [site visited Mar. 17, 2021]. Available from Internet, <https://fashionista.com/2017/03/best-fall-shoes-runway-2017> (Year: 2017).
 Fall 2017 Ready to Wear Fenty x Puma posted by Chioma Nnadi posted date Mar. 6, 2017, © Vogue, [online], [site visited Oct. 29, 2019]. Available from Internet, <https://www.vogue.com/fashion-shows/fall-2017-ready-to-wear/fenty-puma> (Year: 2017).
 U.S. Appl. No. 29/627,332, filed Nov. 27, 2017.
 U.S. Appl. No. 29/694,454, filed Jun. 11, 2019.

* cited by examiner

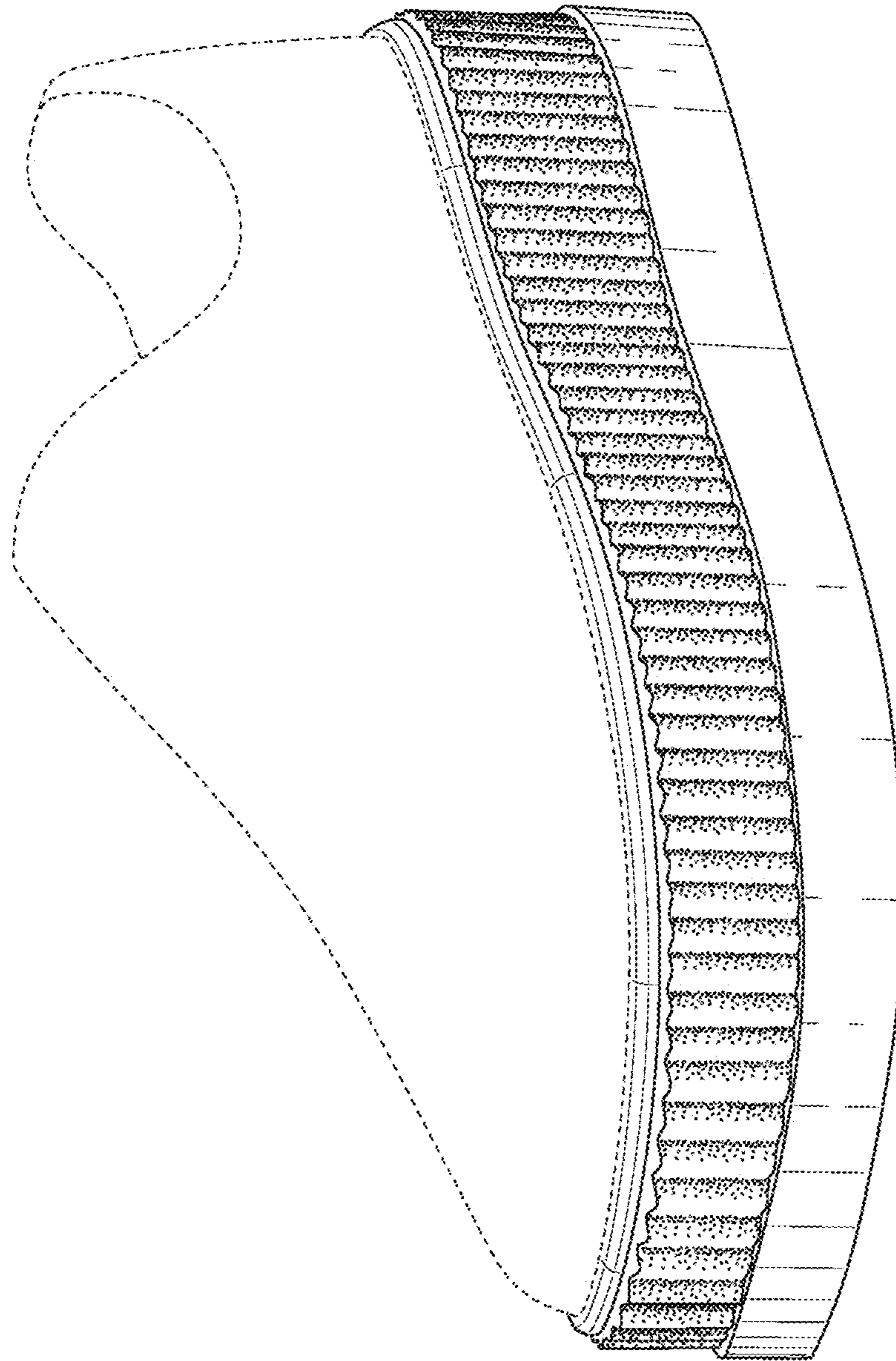


FIG. 1

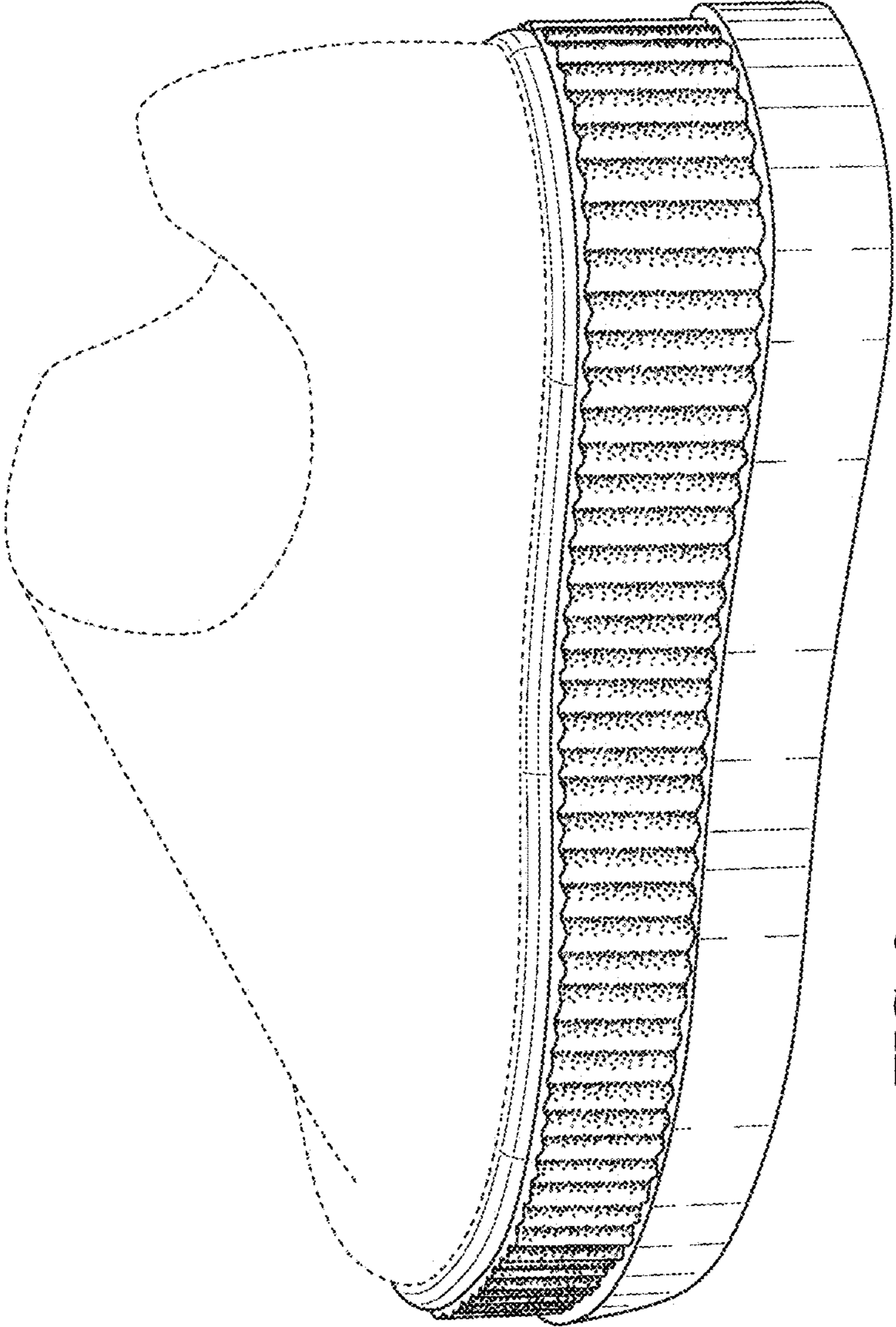


FIG. 2

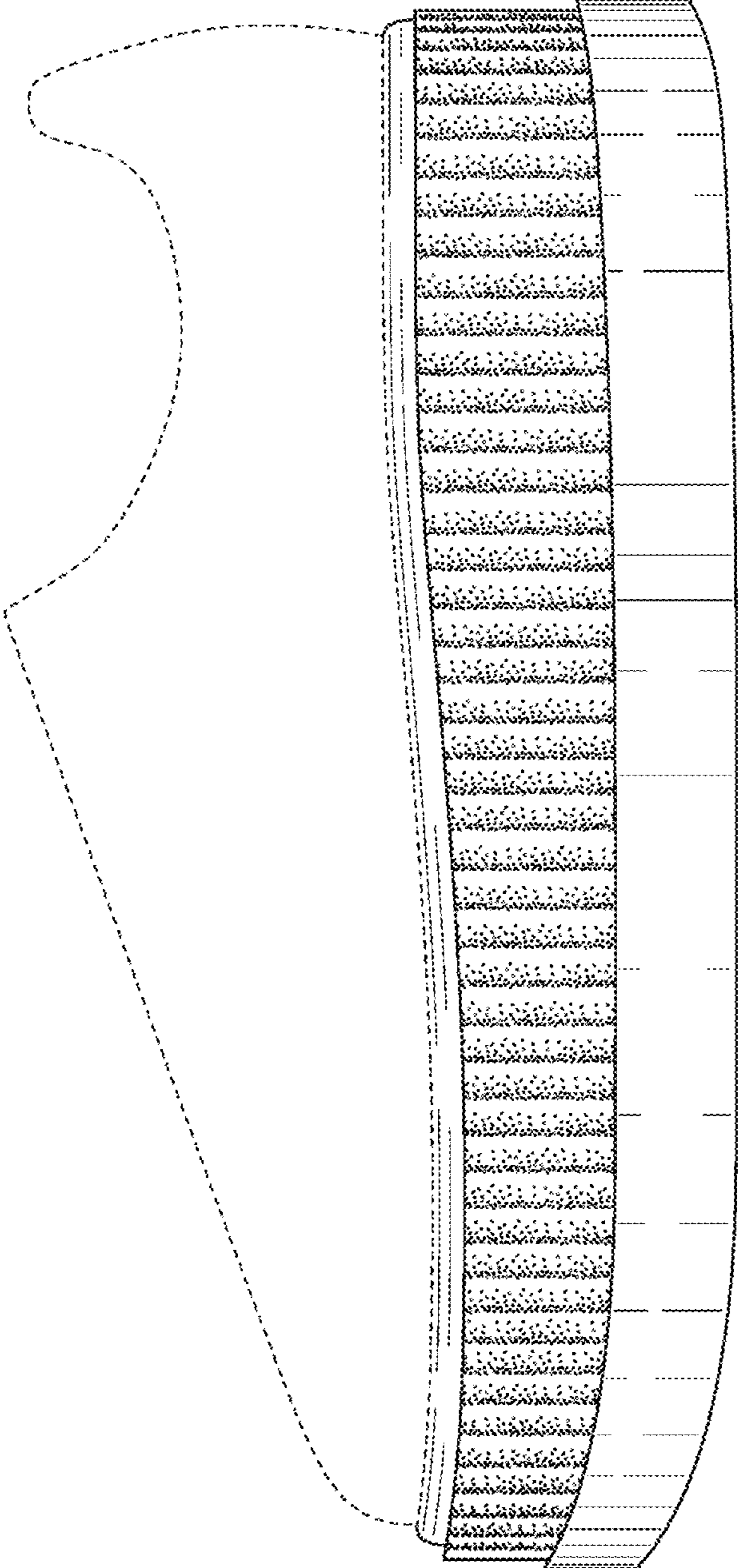


FIG. 3

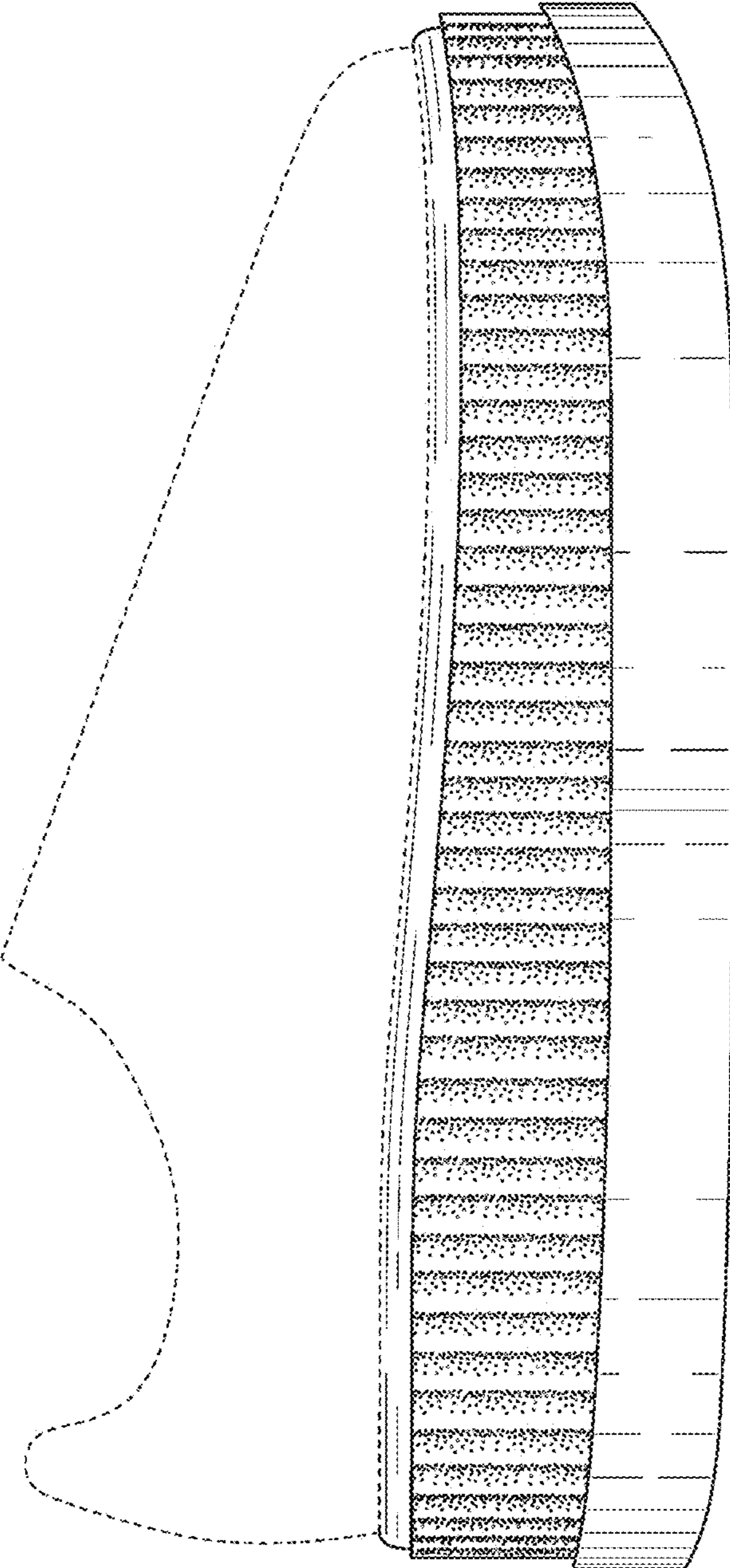


FIG. 4

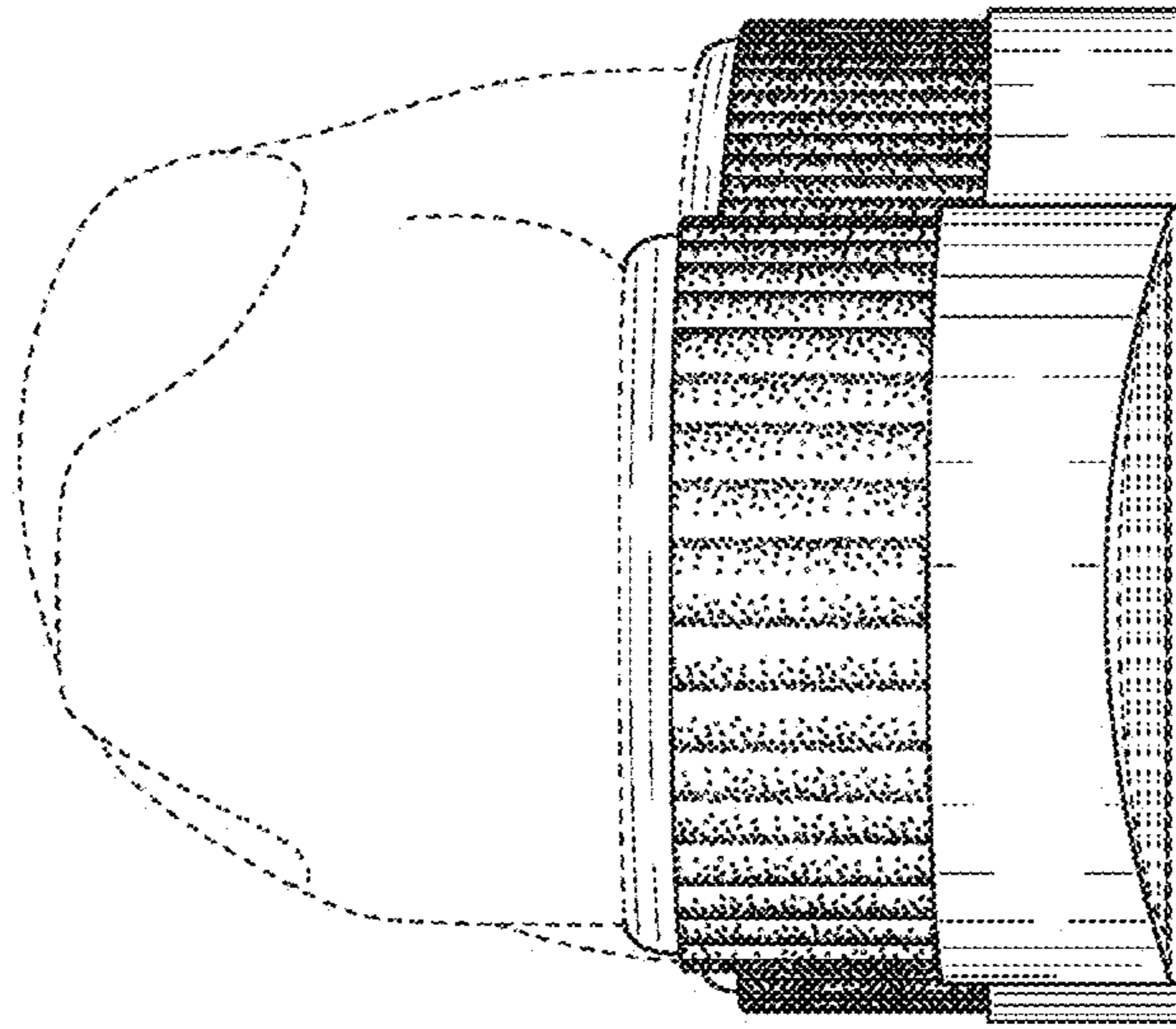


FIG. 5

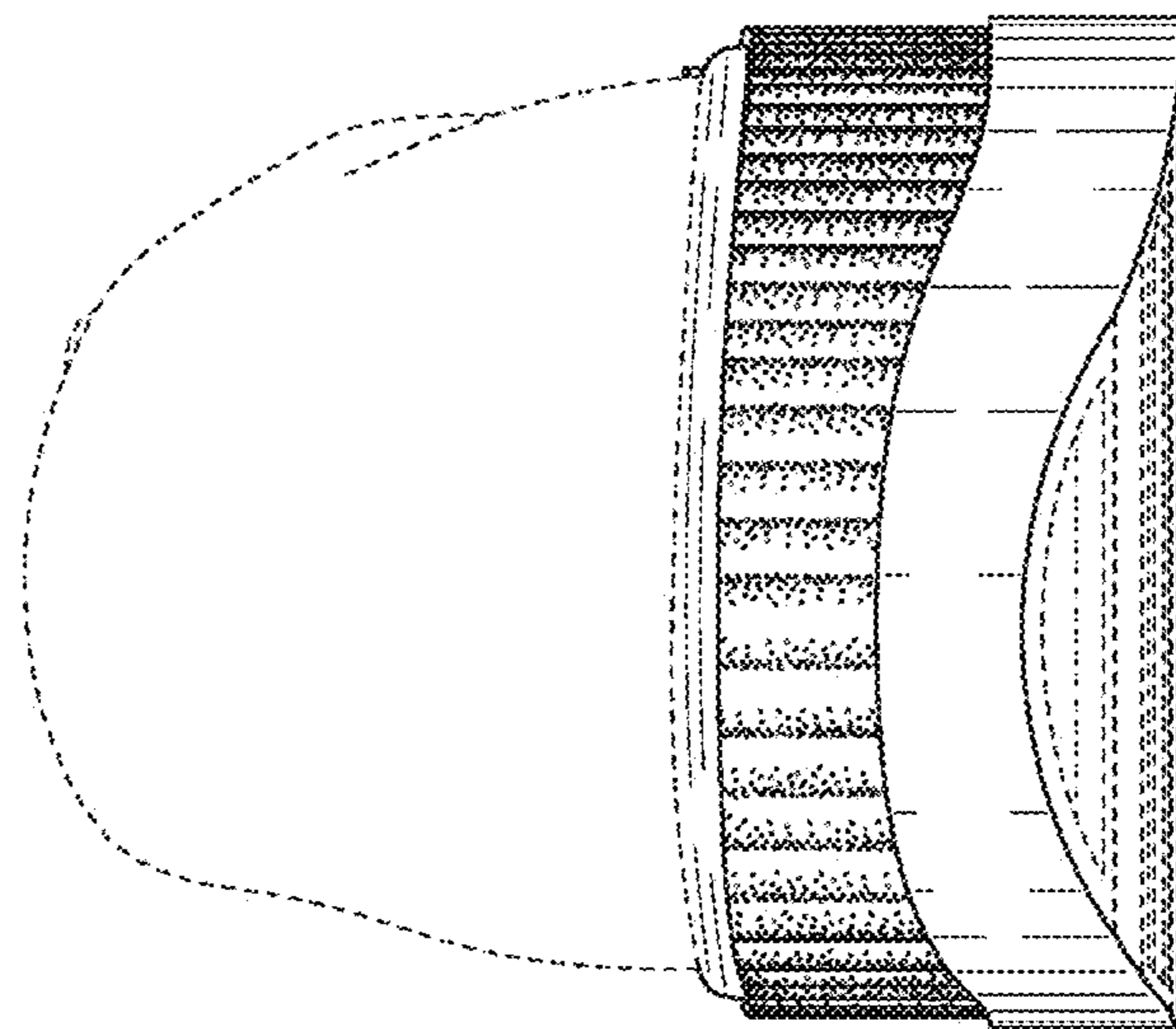


FIG. 6

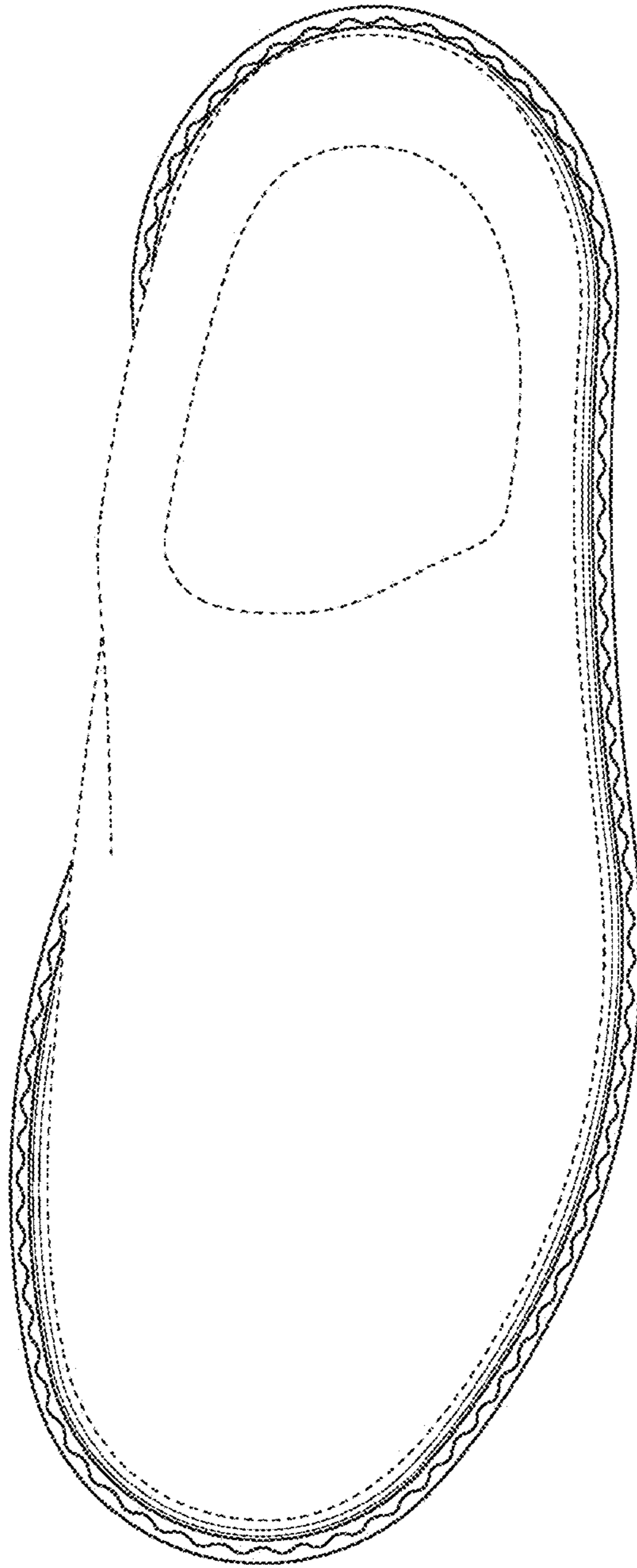


FIG. 7

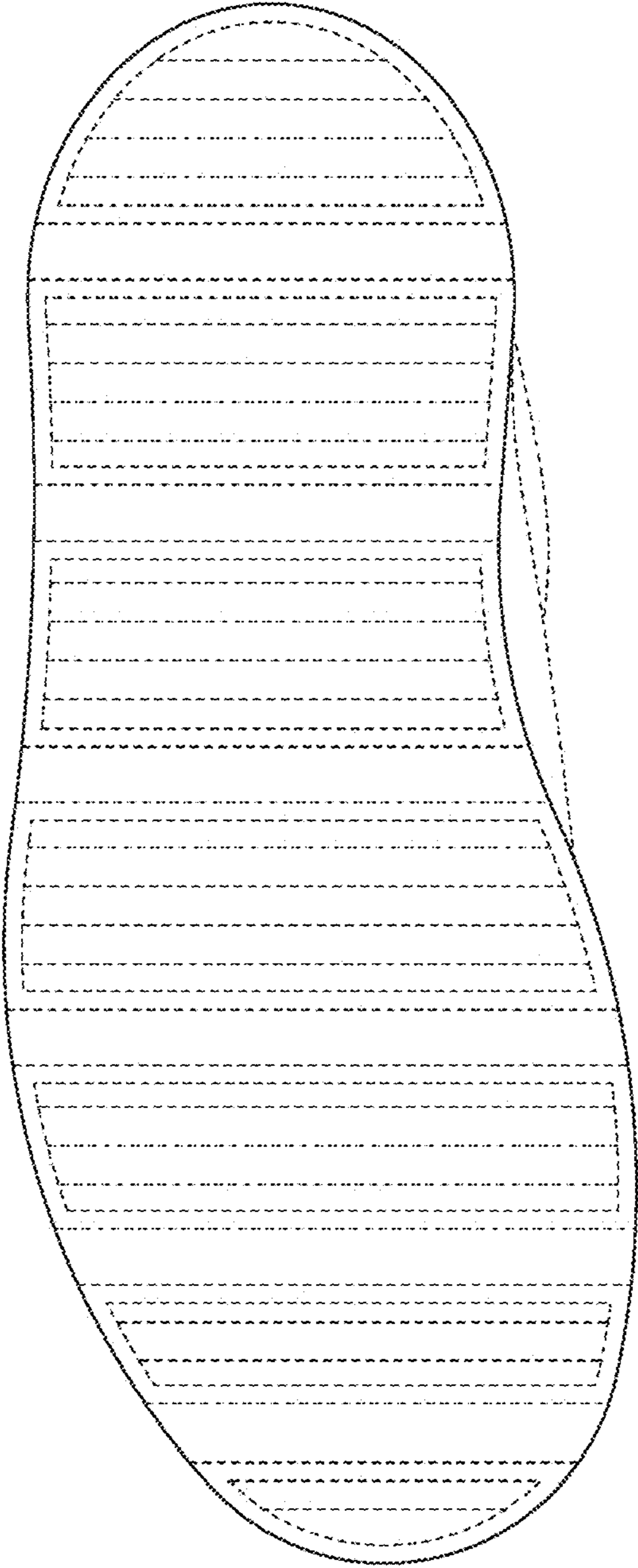


FIG. 8