



US00D955706S

(12) **United States Design Patent** (10) **Patent No.:** **US D955,706 S**
Martin (45) **Date of Patent:** **** Jun. 28, 2022**

(54) **FOOTWEAR**

(71) Applicant: **21K FOOTWEAR LIMITED**, London (GB)

(72) Inventor: **Iain Martin**, London (GB)

(73) Assignee: **21K FOOTWEAR LIMITED**, London (GB)

(**) Term: **15 Years**

(21) Appl. No.: **29/744,978**

(22) Filed: **Aug. 3, 2020**

(30) **Foreign Application Priority Data**

Jun. 30, 2020 (EM) 008023121-0001

(51) **LOC (13) Cl.** **02-04**

(52) **U.S. Cl.**
USPC **D2/926**

(58) **Field of Classification Search**
USPC D2/902, 946-962, 896, 900, 904,
D2/906-908, 916-924, 970-979,
D2/925-945, 969; 36/1, 1.5, 3 B, 22 R,
36/24.5, 25 R, 28, 32 R, 34 R, 59 C,
36/67 A, 101-107, 114-116, 117.3, 117.4,
36/124-136, 3 A, 83, 45, 99, 112-116

CPC A43B 13/00; A43B 13/02; A43B 13/023;
A43B 13/026; A43B 13/04; A43B 13/08;
A43B 13/10; A43B 13/12; A43B 13/14;
A43B 13/141; A43B 13/143; A43B
13/16; A43B 13/18; A43B 13/181; A43B
13/187; A43B 13/189; A43B 13/20; A43B
13/22; A43B 13/223; A43B 13/24; A43B
13/28; A43B 13/30; A43B 13/32; A43B
13/34; A43B 13/36; A43B 23/00; A43B
23/02; A43B 23/04; A43B 23/07; A43B
23/024; A43B 23/0245; A43B 23/025;
A43B 23/026; A43B 23/265; A43B
23/14; A43B 23/16; A43B 23/24; A43B
23/26; A43B 5/00; A43B 5/001; A43B
5/002; A43B 5/003; A43B 5/008; A43B

5/06; A43B 5/08; A43B 5/10; A43B 5/12;
A43B 5/14; A43B 5/145; A43B 1/00;
A43B 1/02; A43B

(Continued)

(56) **References Cited**

U.S. PATENT DOCUMENTS

D155,956 S * 11/1949 Wood D2/969
D247,073 S * 1/1978 Kane D2/926

(Continued)

OTHER PUBLICATIONS

Mahabis Curve Mule, Mahabis.com, [online], [site visited Aug. 14, 2021]. <URL: https://mahabis.com/products/mule?upper=lgsy> (Year: 2021).*

(Continued)

Primary Examiner — Jonathan J Han

(74) *Attorney, Agent, or Firm* — Epstein Drangel LLP;
Robert L. Epstein

(57) **CLAIM**

The ornamental design for a footwear, as shown and described.

DESCRIPTION

FIG. 1 is a right side elevation view of the footwear showing the design;

FIG. 2 is a left side elevation view thereof;

FIG. 3 is a top plan view thereof;

FIG. 4 is a bottom left perspective view thereof;

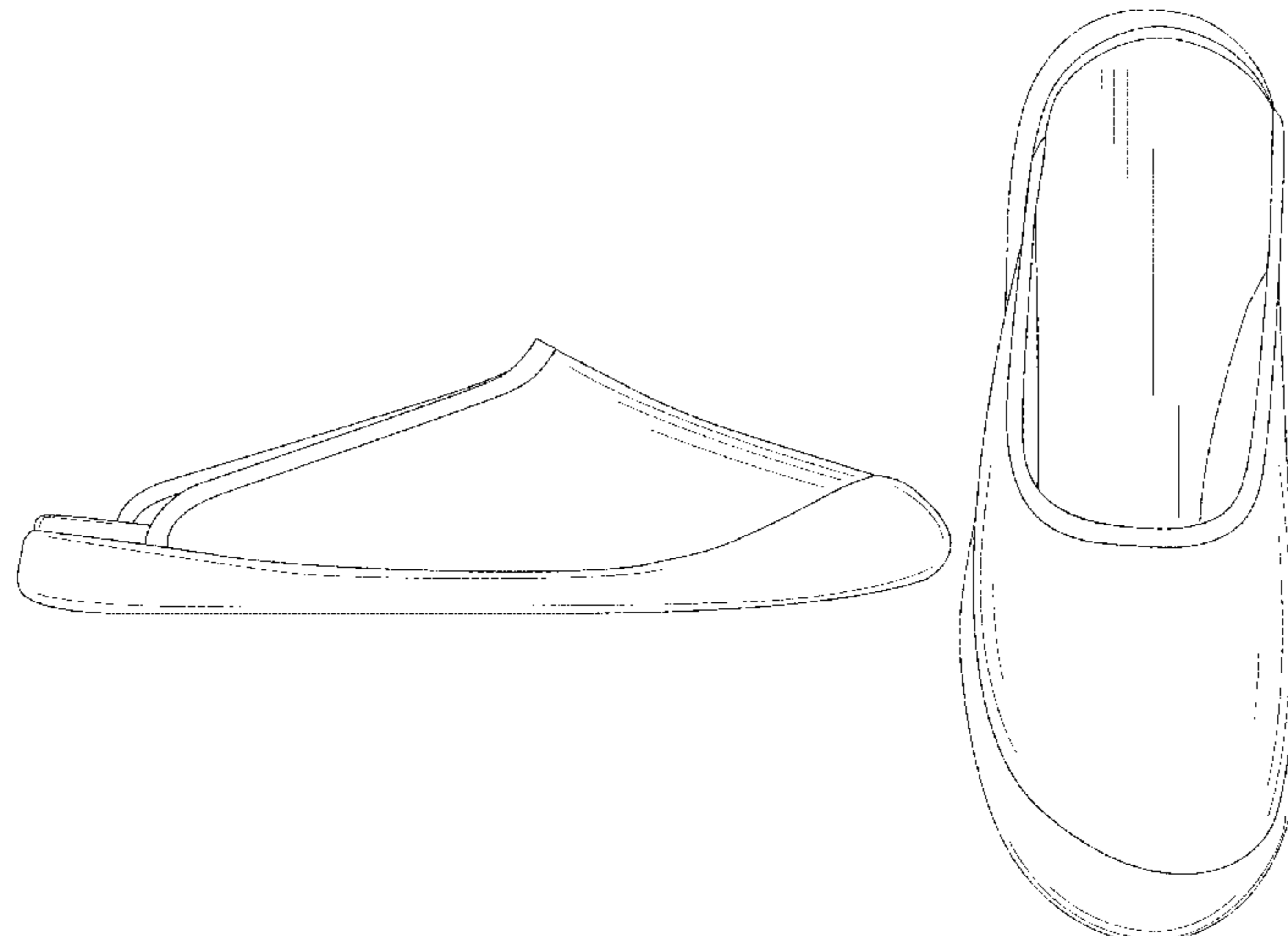
FIG. 5 is a front elevation view thereof, shown with a matching mirrored version to form a pair;

FIG. 6 is a back elevation view of FIG. 5; and,

FIG. 7 is a bottom plan view of FIG. 5.

The broken lines in FIGS. 5 through 7 show a second footwear article shown as environment to form a pair and form no part of the claimed design.

1 Claim, 7 Drawing Sheets



(58) **Field of Classification Search**
 CPC . 1/04; A43B 1/0045; A43B 3/12; A43B 7/00;
 A43B 9/00; A43B 9/08; A43B 9/14;
 A43B 9/16; A43B 11/00; A43B 21/00;
 A43B 21/02; A43B 21/04; A43B 21/06;
 A43C 1/00; A43C 1/003; A43C 1/06;
 A43C 3/00; A43C 5/00; A43C 7/00;
 A43C 11/00

See application file for complete search history.

(56) **References Cited**

U.S. PATENT DOCUMENTS

D276,003	S	*	10/1984	McAbery	D2/921
D310,289	S	*	9/1990	Farina	D2/926
D413,010	S	*	8/1999	Birkenstock	D2/916
D415,606	S	*	10/1999	Bray, Jr.	D2/919
D418,281	S	*	1/2000	Bray, Jr.	D2/919
D421,829	S	*	3/2000	Bray, Jr.	D2/919
D426,052	S	*	6/2000	Bray, Jr.	D2/919
D449,432	S	*	10/2001	Matis	D2/903
D457,714	S	*	5/2002	Bray, Jr.	D2/919
D470,997	S	*	3/2003	Bronga	D2/897
D479,034	S	*	9/2003	Tzenos	D2/896
D485,665	S	*	1/2004	Bray, Jr.	D2/919
D485,666	S	*	1/2004	Bray, Jr.	D2/919
D519,270	S	*	4/2006	Bandini	D2/969
D522,723	S	*	6/2006	Fuerst	D2/923

D528,749	S	*	9/2006	Harper	D2/919
D543,342	S	*	5/2007	Andersen	D2/919
D546,040	S	*	7/2007	Andersen	D2/919
D575,489	S	*	8/2008	Whiteside	D2/969
D610,784	S	*	3/2010	Del Biondi	D2/916
D619,792	S	*	7/2010	Kovacs	D2/919
D641,964	S	*	7/2011	Schwartz	D2/969
D667,202	S	*	9/2012	Kovacs	D2/919
D723,251	S	*	3/2015	Hazan	D2/923
D793,042	S	*	8/2017	O'Neill	D2/923
D804,155	S	*	12/2017	Tzenos	D2/923
D885,716	S	*	6/2020	Rubenach	D2/926
D891,737	S	*	8/2020	Cooke	D2/923
D919,257	S	*	5/2021	Storch	D2/923

OTHER PUBLICATIONS

Mahabis Slippers Review, HonestBrandReviews.com, By Julia Cottrelle, Feb. 27, 2020, [online], [site visited Aug. 14, 2021]. <URL: <https://www.honestbrandreviews.com/reviews/mahabis-slippers-review/>> (Year: 2020).*

Tahoe, MinnetonkaMoccasin.com, [online], [site visited Aug. 14, 2021]. <URL: https://www.minnetonkamoccasin.com/tahoe?sku=887449341570&gclid=EAlalQobChMlmanHgtyw8glVSODICh2niwzrEAKYCiABEgKDJfD_BwE#> (Year: 2021).*

* cited by examiner

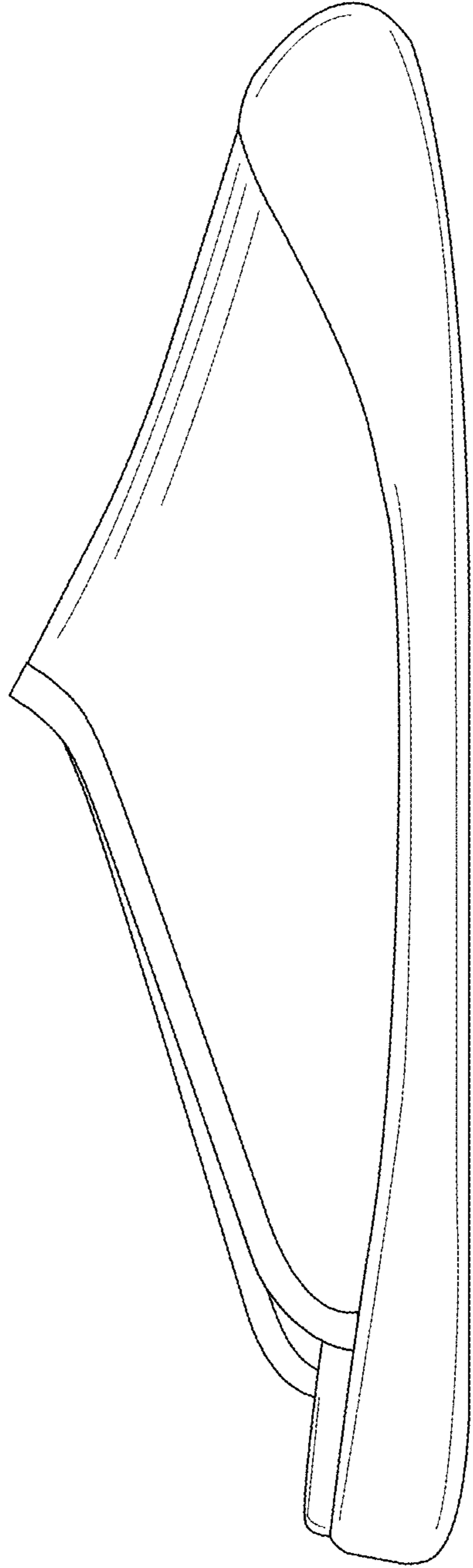


FIG. 1

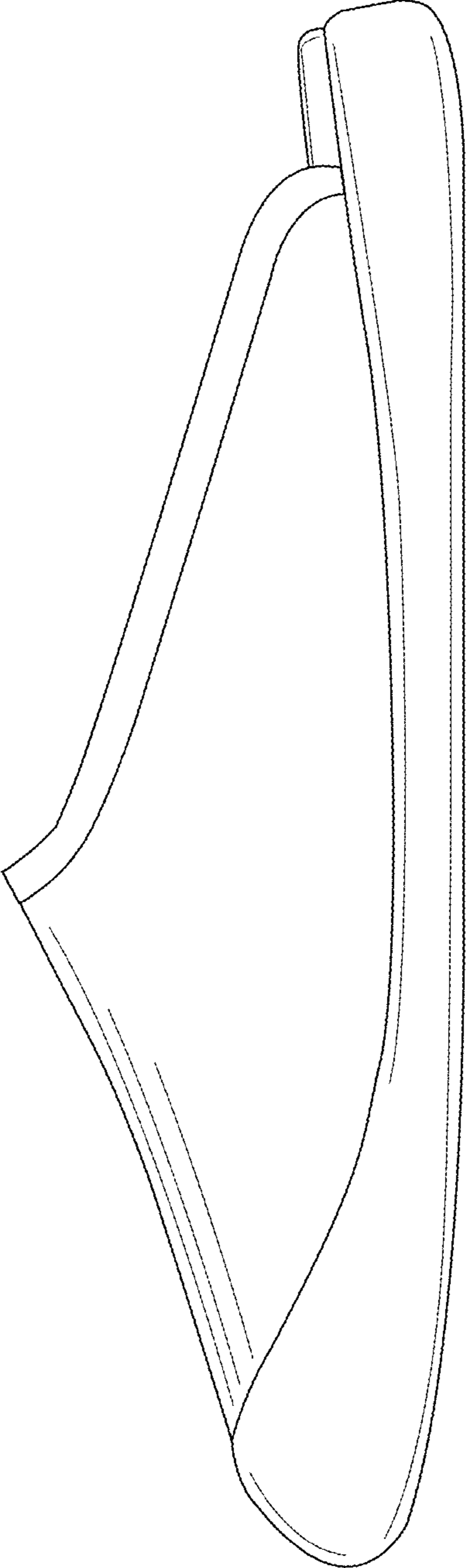


FIG. 2

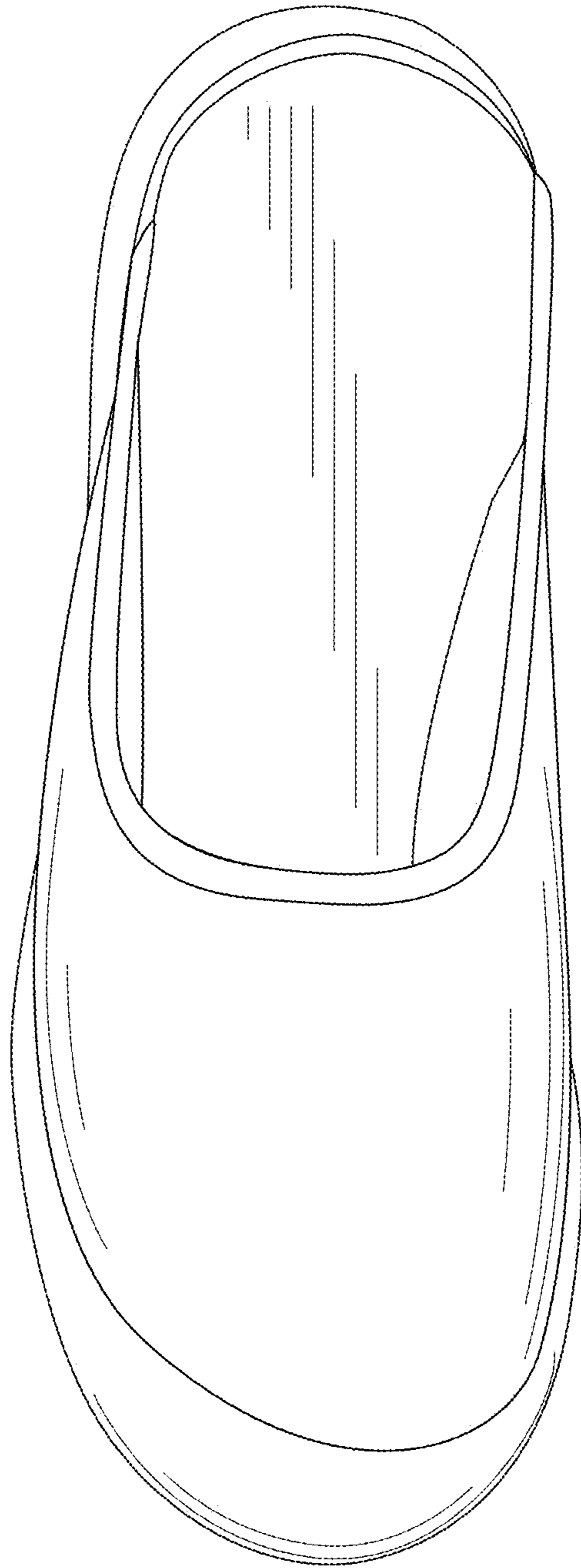


FIG. 3

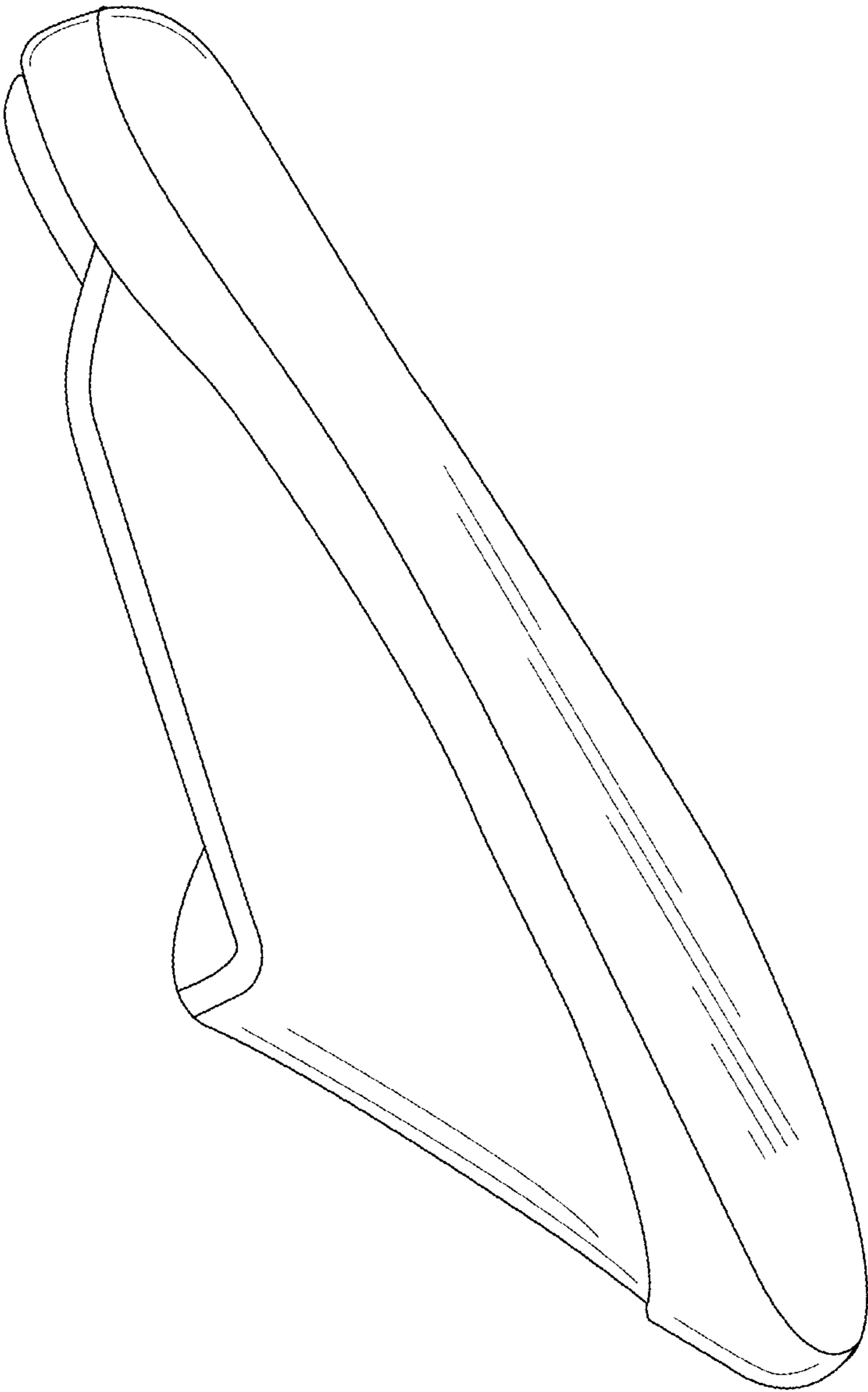


FIG. 4

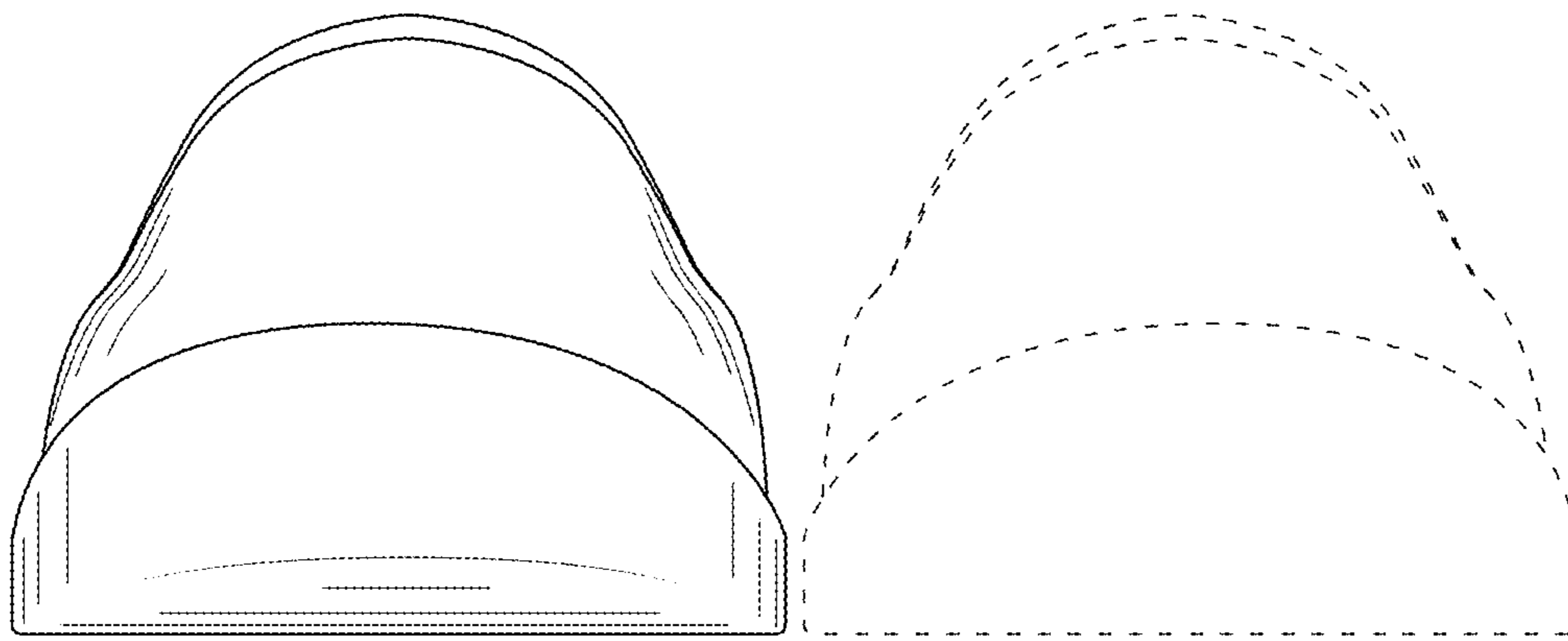


FIG. 5

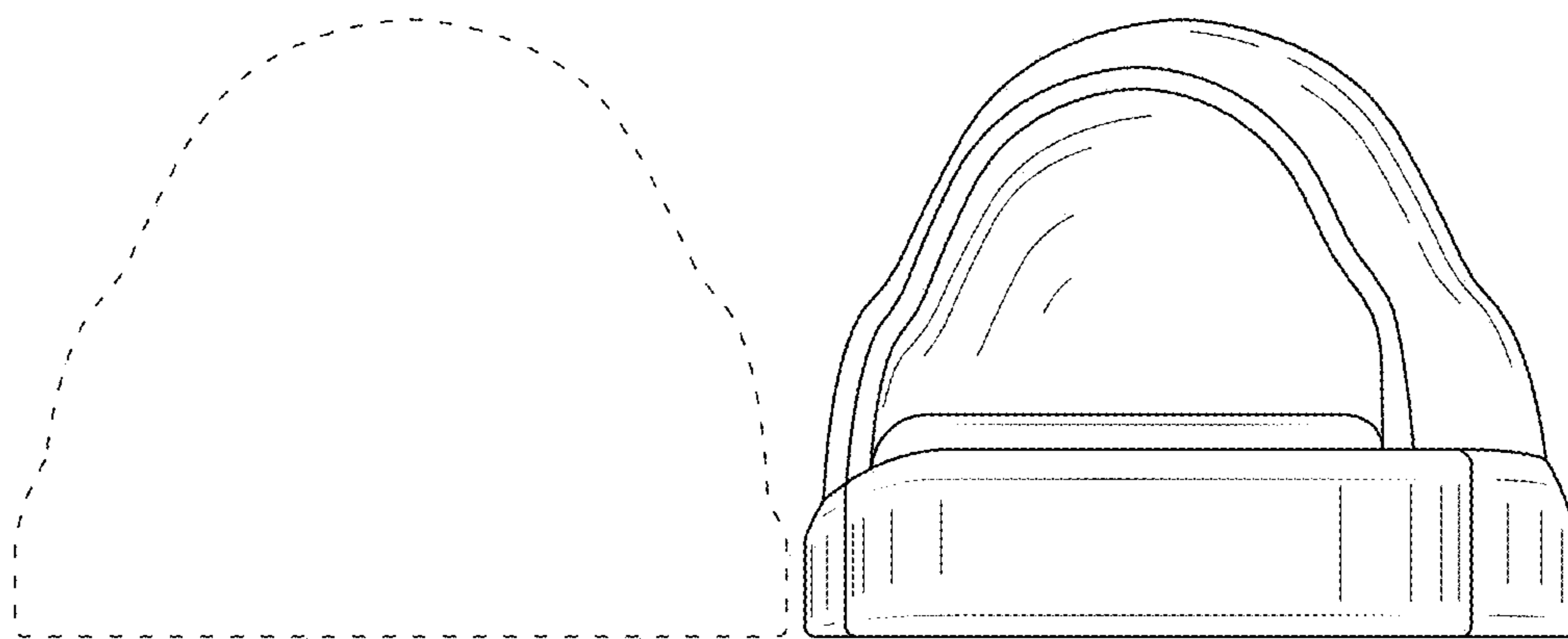


FIG. 6

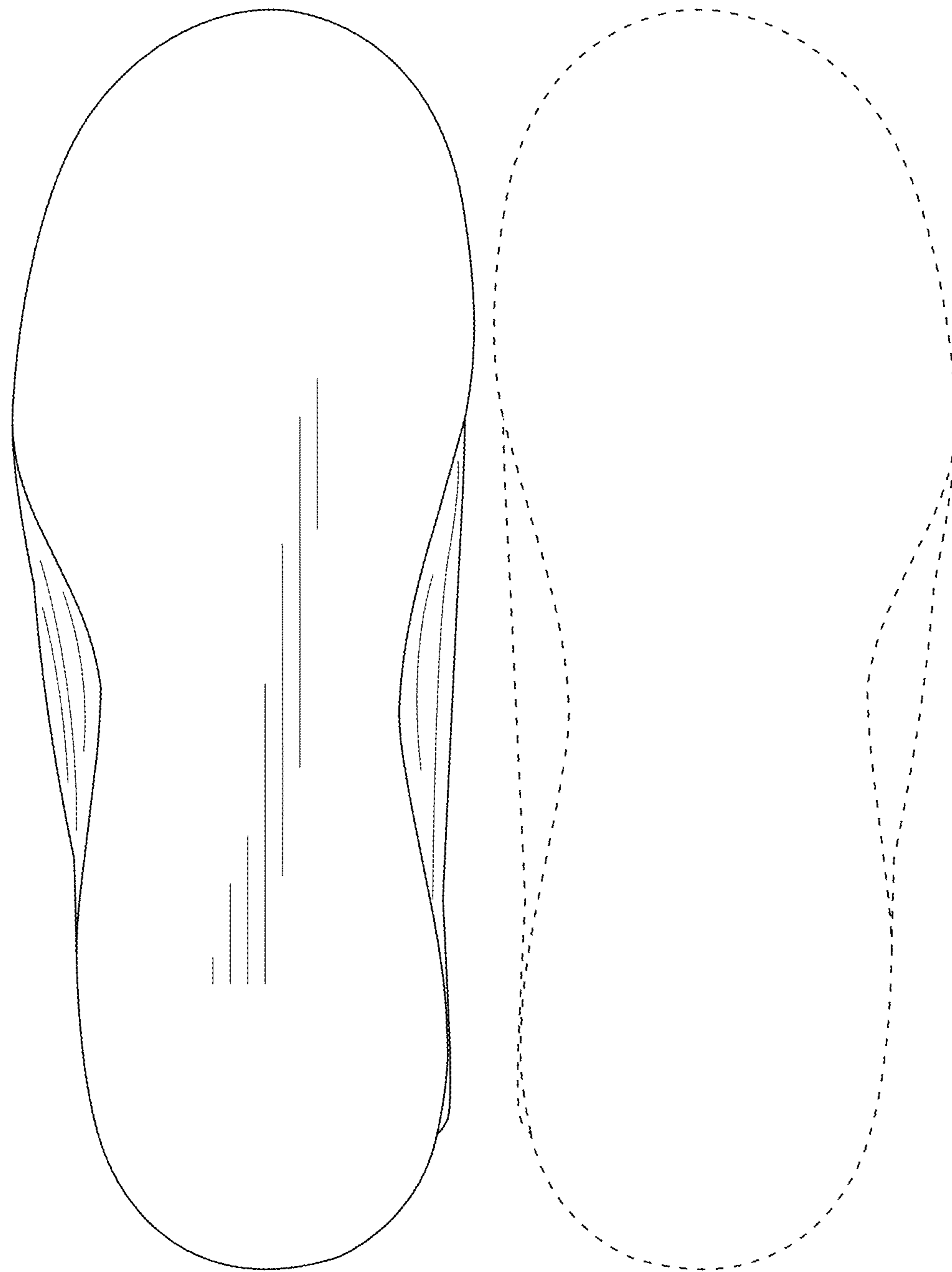


FIG. 7