



US00D955699S

(12) **United States Design Patent** (10) **Patent No.:** **US D955,699 S**
Hopwood et al. (45) **Date of Patent:** **** Jun. 28, 2022**

(54) **POCKET FOR APPAREL**
(71) Applicant: **Globe International Nominees Pty Limited**, Port Melbourne (AU)
(72) Inventors: **Jade Hopwood**, Port Melbourne (AU); **Yvonne Berger**, Southbank (AU); **Thain Taylor**, Rhodes (AU)

D783,948 S * 4/2017 Boyle D2/857
D835,887 S * 12/2018 Yaw D2/857
D838,438 S 1/2019 Luttrell
D852,461 S 7/2019 Grosbol
D907,331 S * 1/2021 Miller D2/742
D909,715 S * 2/2021 Bradley D2/857
D919,235 S 5/2021 Li
2005/0251896 A1* 11/2005 Donlan A41D 1/06
2/269

(Continued)

(73) Assignee: **Globe International Nominees Pty Limited**, Port Melbourne (AU)

OTHER PUBLICATIONS

(**) Term: **15 Years**

Blaklader Men's Standard Craftsmen X1600 Cotton Durable Work Shorts ,posted Nov. 7, 2018 [online], (retrieved Apr. 11, 2022). Retrieved from the internet, https://www.amazon.com/Blaklader-Craftsmen-X1600-Shorts-Black/dp/B07K8RSVCN/ref=pd_sbs_sccl_3/142-5011912-9908759?pd_rd_w=ZY9vR&pf_rd_e2%80%A6 (Year: 2018).*

(21) Appl. No.: **29/763,420**

(22) Filed: **Dec. 22, 2020**

(Continued)

(30) **Foreign Application Priority Data**

Jun. 30, 2020 (AU) 202013555

(51) **LOC (13) Cl.** **02-02**

(52) **U.S. Cl.**
USPC **D2/857**

(58) **Field of Classification Search**
USPC D2/857, 791, 728, 742, 786
CPC A41D 1/06; A41D 27/20; A41D 27/201
See application file for complete search history.

Primary Examiner — Kevin K Rudzinski

Assistant Examiner — J. Thorn, Sr.

(74) *Attorney, Agent, or Firm* — Quarles & Brady LLP

(57) **CLAIM**

The ornamental design for a pocket for apparel, as shown and described.

DESCRIPTION

The sole FIGURE is a front view of an ornamental design for a pocket for apparel.

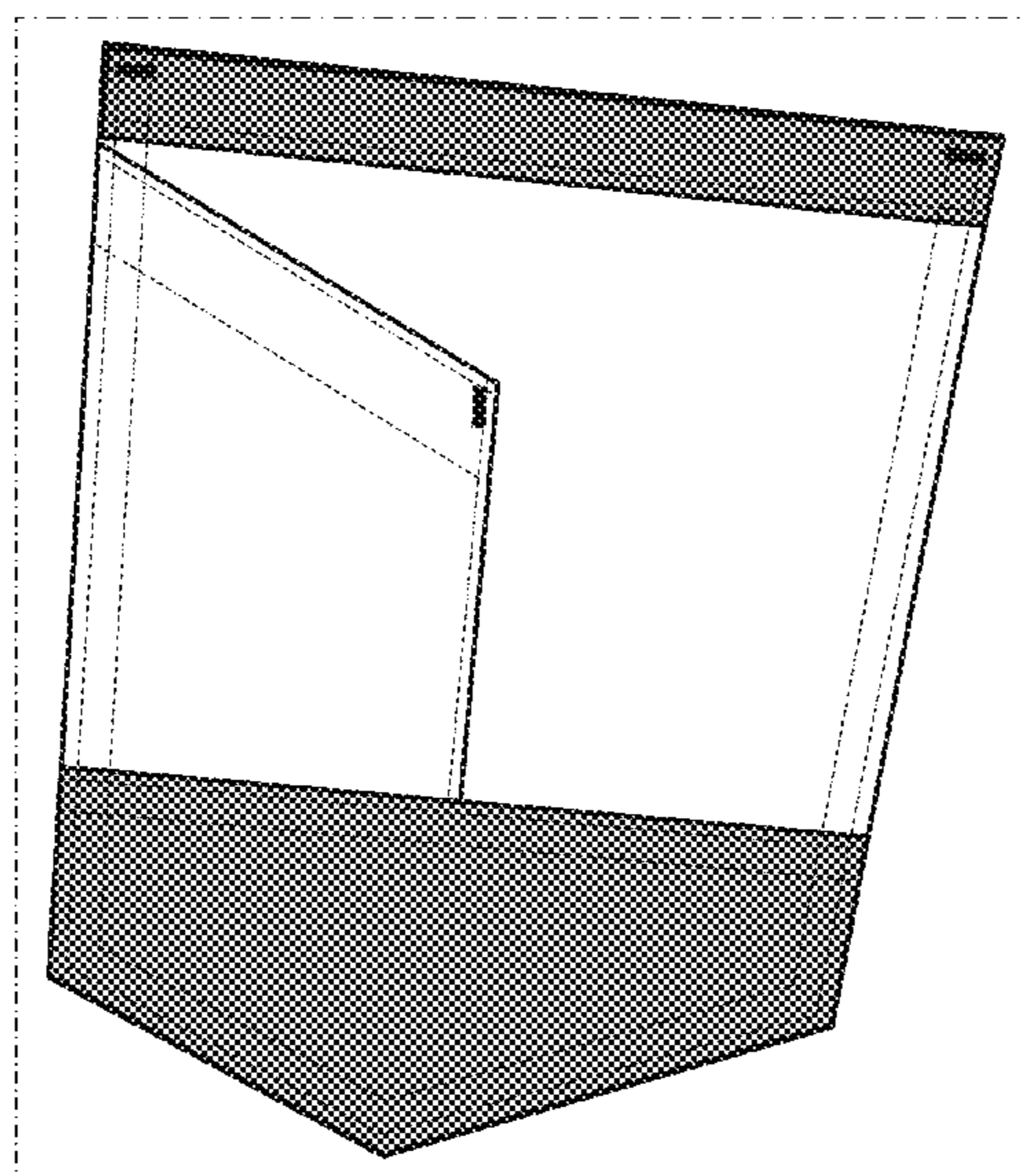
The dash-dash-dash broken lines in the FIGURE represent stitching and form a part of the claimed design. The dash-dot-dash broken lines in the FIGURE depict a boundary line and form no part of the claimed design. The contrast in shading represents a contrast in appearance only and does not represent any particular color, material, texture, or finish. The small black rectangles represent stitching and form a part of the claimed design.

(56) **References Cited**

U.S. PATENT DOCUMENTS

D278,377 S * 4/1985 Heinfling D2/857
D294,651 S * 3/1988 Ferre D2/857
D393,141 S 4/1998 Glycenter
D580,629 S * 11/2008 Adams D2/742
D584,485 S * 1/2009 Lorenzi D2/857
D591,029 S * 4/2009 Zhang D2/857
D609,433 S * 2/2010 Yu D2/857
D621,135 S * 8/2010 Harrison D2/857
D655,481 S * 3/2012 Seguin D2/857
D655,482 S * 3/2012 Morales D2/857
D690,083 S 9/2013 Grosbol

1 Claim, 1 Drawing Sheet



(56)

References Cited

U.S. PATENT DOCUMENTS

2015/0282535 A1 10/2015 Rowe et al.
2020/0359722 A1 11/2020 Cleghorn et al.

OTHER PUBLICATIONS

CharleyPants Work Wear Cargo Work Pants, posted Oct. 31, 2019 [online], (retrieved Apr. 11, 2022). Retrieved from the internet, <https://www.amazon.com/CharleyPants-Work-Wear-Reinforced-Pockets/dp/B07ZRX459W> (Year: 2019).*

FXD Men's LS.1 Lightweight Quick Dry Work Short, posted May 20, 2020 [online], (retrieved Oct. 26, 2021). Retrieved from the internet, https://www.amazon.com/FXD-LS-1-Lightweight-Quick-Short/dp/B088Y55ZBD?ref=ast_sto_dp&th=1&ppsc=1 (Year: 2020).

FXD LS•1 Khaki, posted NA [online], (retrieved Oct. 26, 2021). Retrieved from the internet, https://fxdworkwear.com/products/ls-1-khaki?pr_prod_strat=copurchase&pr_rec_pid=5995030708402&pr_ref_pid=5995030053042&prseq=uniform&variant=37221967954098 (Year: NA).

FXD WP•1 Khaki, posted NA [online], (retrieved Oct. 26, 2021). Retrieved from the internet, <https://fxdworkwear.com/collections/workpants/products/wp-1-khaki?variant=37575585267890> (Year: NA).

FXD Men's WP.4 Stretch Jogger Work Pant, posted May 7, 2020 [online], (retrieved Oct. 26, 2021). Retrieved from the internet, <https://www.amazon.com/FXD-Mens-WP-4-Stretch-Jogger/dp/B0889Y3J7M?th=1> (Year: 2020).

* cited by examiner

