



US00D955685S

(12) **United States Design Patent**
Schultz et al.

(10) **Patent No.:** **US D955,685 S**
(45) **Date of Patent:** **** Jun. 21, 2022**

(54) **MATERIAL HANDLING CART**
(71) Applicant: **AMIGO MOBILITY INTERNATIONAL, INC.**, Bridgeport, MI (US)
(72) Inventors: **Jeremiah Vincent Schultz**, Bridgeport, MI (US); **Allen Louis Bussinger**, Bridgeport, MI (US)
(73) Assignee: **AMIGO MOBILITY INTERNATIONAL, INC.**, Bridgeport, MI (US)
(**) Term: **15 Years**
(21) Appl. No.: **29/705,743**
(22) Filed: **Sep. 15, 2019**

2,281,143 A 4/1942 Dickerson
2,448,992 A 9/1948 Homer et al.
2,461,401 A 2/1949 Trombley
2,468,801 A 5/1949 Beall
2,495,573 A 1/1950 Duke
2,629,611 A 2/1953 Covington
2,635,703 A 4/1953 Goeller
2,639,785 A 5/1953 Vickers
2,649,309 A 8/1953 Deissner
2,710,659 A 6/1955 Moederle
2,782,076 A 2/1957 Miller
2,782,870 A 2/1957 Sill
D185,438 S 6/1959 Jones
2,919,756 A 1/1960 Knipe
2,947,425 A 8/1960 Nichols
2,978,053 A 4/1961 Schmidt
2,993,550 A 7/1961 Klappert
3,044,801 A 7/1962 Vicany

(Continued)

Primary Examiner — Gino Colan
(74) *Attorney, Agent, or Firm* — Rivenoak Law Group, P.C.

Related U.S. Application Data

(63) Continuation-in-part of application No. 29/572,428, filed on Jul. 27, 2016, now Pat. No. Des. 800,409, and a continuation-in-part of application No. 29/546,542, filed on Nov. 23, 2015, now Pat. No. Des. 800,410.
(51) **LOC (13) Cl.** **12-05**
(52) **U.S. Cl.**
USPC **D34/37**
(58) **Field of Classification Search**
USPC D34/12, 17, 20, 21, 23, 26, 28;
180/65.51, 11, 19.3, 14.1, 65.1
CPC B62B 3/10; B62B 3/00; B62B 3/04; B62B
5/0093; B62B 5/0438
See application file for complete search history.

(57) **CLAIM**

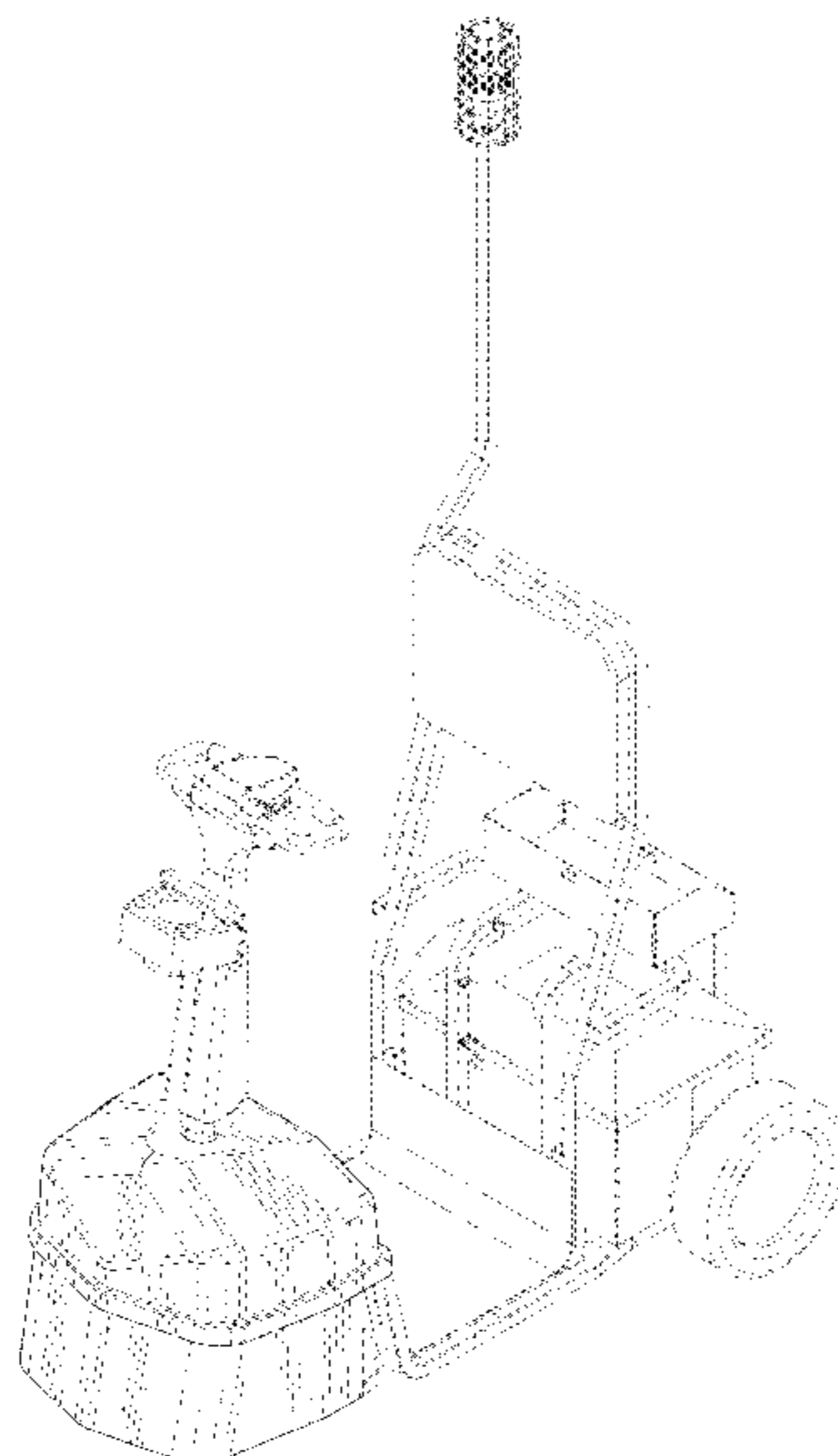
The ornamental design for a material handling cart, as shown and described.

DESCRIPTION

FIG. 1 is a top perspective view of a material handling cart showing our new design;
FIG. 2 is a bottom perspective view thereof;
FIG. 3 is a front elevational view thereof;
FIG. 4 is a right side elevational view thereof;
FIG. 5 is a rear elevational view thereof;
FIG. 6 is a left side elevational view thereof;
FIG. 7 is a top plan view thereof; and,
FIG. 8 is a bottom plan view thereof.
In the drawings, the broken lines are for the purpose of illustrating portions of the material handling cart that form no part of the claimed design.

(56) **References Cited**
U.S. PATENT DOCUMENTS
678,122 A 7/1901 Maxham et al.
1,492,487 A 4/1924 McGehee
1,565,719 A 12/1925 Dunkley

1 Claim, 8 Drawing Sheets



(56)

References Cited

U.S. PATENT DOCUMENTS

| | | | | | |
|-------------|---------|----------------------|--------------|---------|-------------------|
| 3,061,031 A | 10/1962 | Packard | 4,623,163 A | 11/1986 | Potts |
| 3,078,946 A | 2/1963 | Young, Jr. | 4,633,962 A | 1/1987 | Cox et al. |
| 3,095,099 A | 6/1963 | Costello | 4,666,008 A | 5/1987 | Shepard et al. |
| 3,100,547 A | 8/1963 | Rosenthal | 4,729,447 A | 3/1988 | Morse |
| 3,108,481 A | 10/1963 | Westmont | 4,750,578 A | 6/1988 | Brandenfels |
| 3,117,653 A | 1/1964 | Altherr | 4,752,539 A | 6/1988 | Vatter |
| 3,184,258 A | 5/1965 | Kapusta | 4,756,978 A | 7/1988 | Nitcher et al. |
| 3,198,923 A | 8/1965 | Tripp | 4,772,037 A | 9/1988 | Jones |
| 3,249,171 A | 5/1966 | Kinghorn | 4,795,182 A | 1/1989 | Dyess et al. |
| 3,251,630 A | 5/1966 | Astley | 4,798,255 A | 1/1989 | Wu |
| 3,273,038 A | 9/1966 | Miller | 4,834,413 A | 5/1989 | Patel et al. |
| 3,369,629 A | 2/1968 | Weiss | 4,846,295 A | 7/1989 | Shepard et al. |
| 3,387,681 A | 6/1968 | Rabjohn | D303,101 S | 8/1989 | Shepard et al. |
| 3,388,761 A | 6/1968 | Arpin | 4,886,294 A | 12/1989 | Nahachewski |
| 3,412,820 A | 11/1968 | Wachholz | 4,887,685 A | 12/1989 | Shepard et al. |
| 3,486,397 A | 12/1969 | Roock | 4,892,166 A | 1/1990 | Gaffney |
| 3,544,069 A | 12/1970 | Grego | 4,944,359 A | 7/1990 | Doman et al. |
| D220,835 S | 6/1971 | Thieme | 4,947,955 A | 8/1990 | Hopely, Jr. |
| 3,596,018 A | 7/1971 | Gross | 4,953,645 A | 9/1990 | Korber et al. |
| 3,603,860 A | 9/1971 | Johnson | 5,020,624 A | 6/1991 | Nesterick et al. |
| 3,605,929 A | 9/1971 | Rolland | 5,071,150 A | 12/1991 | Conrad |
| 3,656,637 A | 4/1972 | Lynn et al. | 5,074,372 A | 12/1991 | Schepis |
| 3,794,132 A | 2/1974 | Moon | 5,090,513 A | 2/1992 | Bussinger |
| 3,883,126 A | 5/1975 | Nicholls | 5,090,517 A | 2/1992 | Doughty |
| 3,889,773 A | 6/1975 | Chant | 5,121,806 A | 6/1992 | Johnson |
| 3,905,437 A | 9/1975 | Kaiho et al. | 5,154,251 A | 10/1992 | Fought |
| 3,910,432 A | 10/1975 | Browne et al. | 5,161,630 A | 11/1992 | Garin, III et al. |
| 3,912,032 A | 10/1975 | Benz et al. | 5,181,733 A | 1/1993 | Tague |
| 3,912,137 A | 10/1975 | Tomatsuri | 5,207,439 A | 5/1993 | Mortenson |
| 3,921,744 A | 11/1975 | Benoit et al. | 5,238,082 A | 8/1993 | Stegeman et al. |
| 3,921,774 A | 11/1975 | Hagen | 5,252,078 A | 10/1993 | Langenbahn |
| 3,930,551 A | 1/1976 | Cragg | 5,272,431 A | 12/1993 | Nee |
| 3,939,931 A | 2/1976 | Benz | 5,294,141 A | 3/1994 | Mentessi et al. |
| 3,957,164 A | 5/1976 | Brown | 5,316,328 A | 5/1994 | Bussinger |
| 3,979,137 A | 9/1976 | Lipscomb, Jr. et al. | 5,322,140 A | 6/1994 | Bussinger |
| 3,982,648 A | 9/1976 | Luedtke et al. | 5,333,702 A | 8/1994 | Gaffney et al. |
| D241,929 S | 10/1976 | Cooper | 5,388,659 A | 2/1995 | Pepe |
| 4,010,499 A | 3/1977 | Davis et al. | 5,394,968 A | 3/1995 | Yu-Shu |
| 4,019,602 A | 4/1977 | Habiger | 5,452,775 A | 9/1995 | Bussinger |
| 4,039,093 A | 8/1977 | Schmitz, Jr. et al. | 5,462,439 A | 10/1995 | Keith |
| 4,073,345 A | 2/1978 | Miller | 5,478,196 A | 12/1995 | Avitan et al. |
| 4,091,488 A | 5/1978 | Artzberger | D365,675 S | 1/1996 | Macmillan |
| 4,127,200 A | 11/1978 | Mann | 5,497,844 A | 3/1996 | Fritzinger |
| 4,147,373 A | 4/1979 | Cully | 5,498,948 A | 3/1996 | Bruni et al. |
| 4,162,711 A | 7/1979 | Cornelius | 5,523,666 A | 6/1996 | Hoelzl et al. |
| 4,204,588 A | 5/1980 | Kawecki | 5,572,109 A | 11/1996 | Keith |
| 4,245,947 A | 1/1981 | Clement | 5,617,003 A | 4/1997 | Odachi et al. |
| 4,265,147 A | 5/1981 | Fox | D380,720 S | 7/1997 | Anderson |
| 4,281,958 A | 8/1981 | Molski | 5,646,500 A | 7/1997 | Wilson |
| 4,284,286 A | 8/1981 | Lewallen | 5,654,621 A | 8/1997 | Seelig |
| 4,305,601 A | 12/1981 | Berge | 5,695,021 A | 12/1997 | Schaffner et al. |
| 4,320,818 A | 3/1982 | Knoche | 5,710,502 A | 1/1998 | Poumey |
| 4,350,227 A | 9/1982 | Knoche | 5,714,815 A | 2/1998 | Fritzinger et al. |
| D266,499 S | 10/1982 | Twitchell | 5,799,756 A | 9/1998 | Roberts et al. |
| 4,391,379 A | 7/1983 | Paffrath | 5,821,731 A | 10/1998 | Kuki et al. |
| D269,960 S | 8/1983 | Cosper | 5,850,135 A | 12/1998 | Kuki et al. |
| 4,398,585 A | 8/1983 | Marlow | 5,984,334 A | 11/1999 | Dugas |
| 4,398,858 A | 8/1983 | Paffrath | D418,467 S | 1/2000 | Panasewicz |
| 4,403,673 A | 9/1983 | Ball | 6,053,069 A | 4/2000 | Stroer |
| 4,403,786 A | 9/1983 | Ulics | 6,056,077 A | 5/2000 | Kobayashi |
| 4,452,327 A | 6/1984 | Mowat et al. | 6,087,806 A | 7/2000 | Fujioka |
| 4,484,755 A | 11/1984 | Houston | 6,170,592 B1 | 1/2001 | Wu |
| D276,904 S | 12/1984 | Shepard | 6,176,337 B1 | 1/2001 | McConnell et al. |
| 4,496,896 A | 1/1985 | Melocik et al. | D445,385 S | 7/2001 | Hallgrimsson |
| 4,503,925 A | 3/1985 | Palmer et al. | 6,260,643 B1 | 7/2001 | Schuchardt |
| 4,504,094 A | 3/1985 | Burrows | 6,273,206 B1 | 8/2001 | Bussinger |
| 4,512,613 A | 4/1985 | Nassiri | 6,298,749 B1 | 10/2001 | Stroer et al. |
| 4,522,320 A | 6/1985 | Andreasen | 6,352,138 B1 | 3/2002 | Duran et al. |
| 4,522,420 A | 6/1985 | Hannappel | D462,639 S | 9/2002 | Lin |
| 4,570,739 A | 2/1986 | Kramer | 6,464,238 B2 | 10/2002 | Reiland et al. |
| D283,211 S | 4/1986 | Palmer et al. | 6,523,661 B1 | 2/2003 | Bussinger |
| 4,580,803 A | 4/1986 | Davis | D474,719 S | 5/2003 | Mayer et al. |
| 4,595,214 A | 6/1986 | Downing | 6,729,421 B1 | 5/2004 | Gluck et al. |
| D285,187 S | 8/1986 | Piziks et al. | 6,834,734 B2 | 12/2004 | Wu |
| D285,671 S | 9/1986 | Thieme et al. | 7,023,177 B1 | 4/2006 | Bussinger |
| | | | D531,094 S | 10/2006 | Flowers et al. |
| | | | 7,389,836 B2 | 6/2008 | Johnson et al. |
| | | | 7,451,848 B2 | 11/2008 | Flowers et al. |
| | | | 7,549,651 B2 | 6/2009 | Holtan et al. |

(56)

References Cited

U.S. PATENT DOCUMENTS

| | | | | |
|--------------|-----|---------|-------------------|--------|
| D605,374 | S | 12/2009 | Nishikawa et al. | |
| 7,665,754 | B2 | 2/2010 | Mitchell | |
| 7,841,436 | B2 | 11/2010 | Bussinger | |
| 7,926,606 | B2 | 4/2011 | Wang | |
| D653,176 | S | 1/2012 | Jurkiewicz et al. | |
| 8,591,154 | B2 | 11/2013 | Bartels | |
| 8,684,373 | B2 | 4/2014 | Holtan | |
| 8,776,932 | B1 | 7/2014 | Bussinger et al. | |
| D745,441 | S | 12/2015 | Ohruh | |
| D769,775 | S | 10/2016 | Sugie | |
| D800,409 | S * | 10/2017 | Bussinger | D34/34 |
| D800,410 | S * | 10/2017 | Bussinger | D34/37 |
| D860,576 | S * | 9/2019 | Bussinger | D34/34 |
| 2003/0231945 | A1 | 12/2003 | Weatherly | |
| 2004/0256164 | A1 | 12/2004 | Huang | |
| 2004/0256166 | A1 | 12/2004 | Holtan et al. | |
| 2009/0020350 | A1 | 1/2009 | Wu | |
| 2010/0084831 | A1 | 4/2010 | Wang | |
| 2010/0193278 | A1 | 8/2010 | Husted et al. | |
| 2013/0062846 | A1 | 3/2013 | Hsiao | |
| 2013/0098698 | A1 | 4/2013 | Johnson et al. | |
| 2013/0306383 | A1 | 11/2013 | Mulhern et al. | |

* cited by examiner

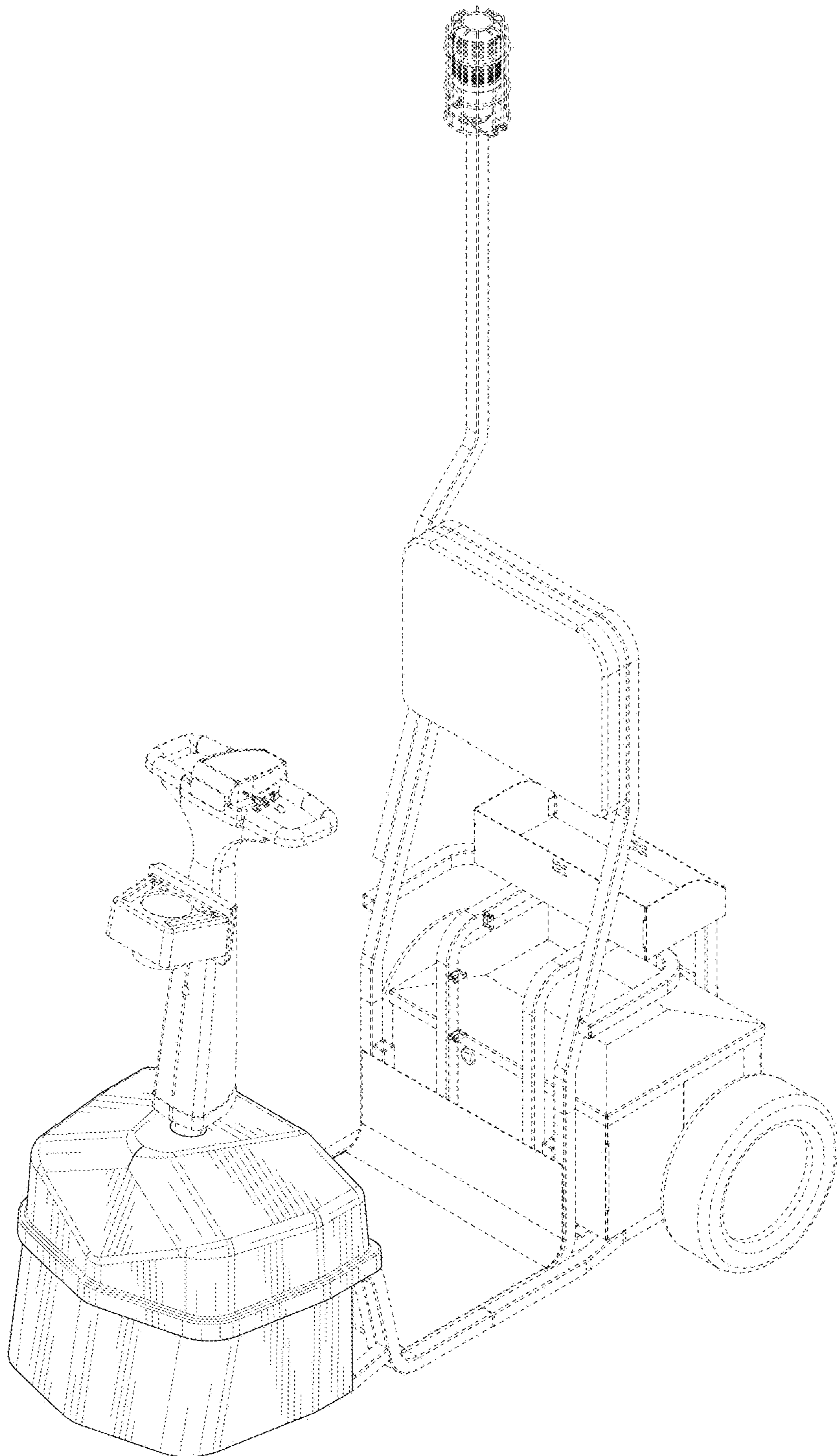


FIG. 1

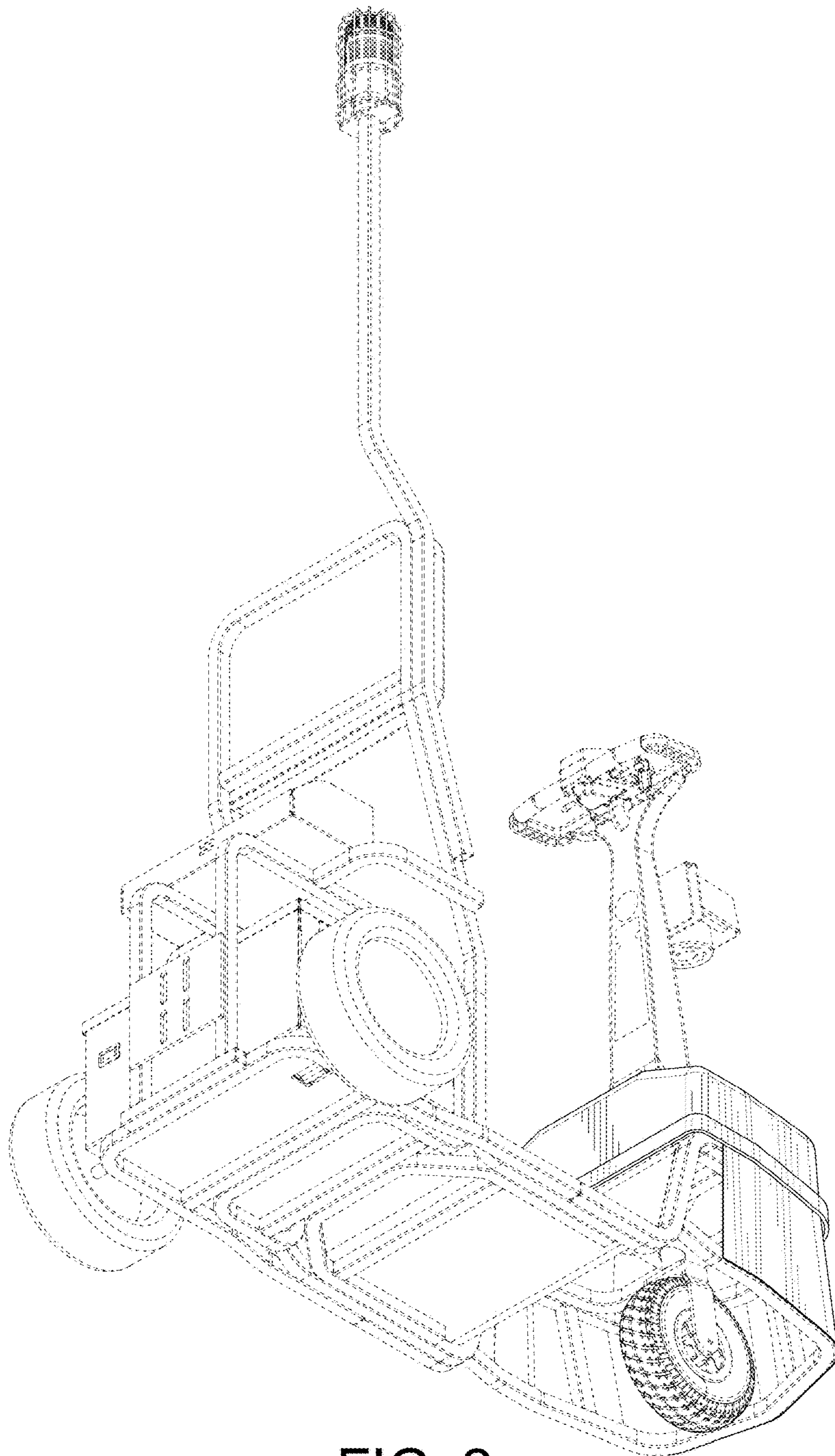


FIG. 2

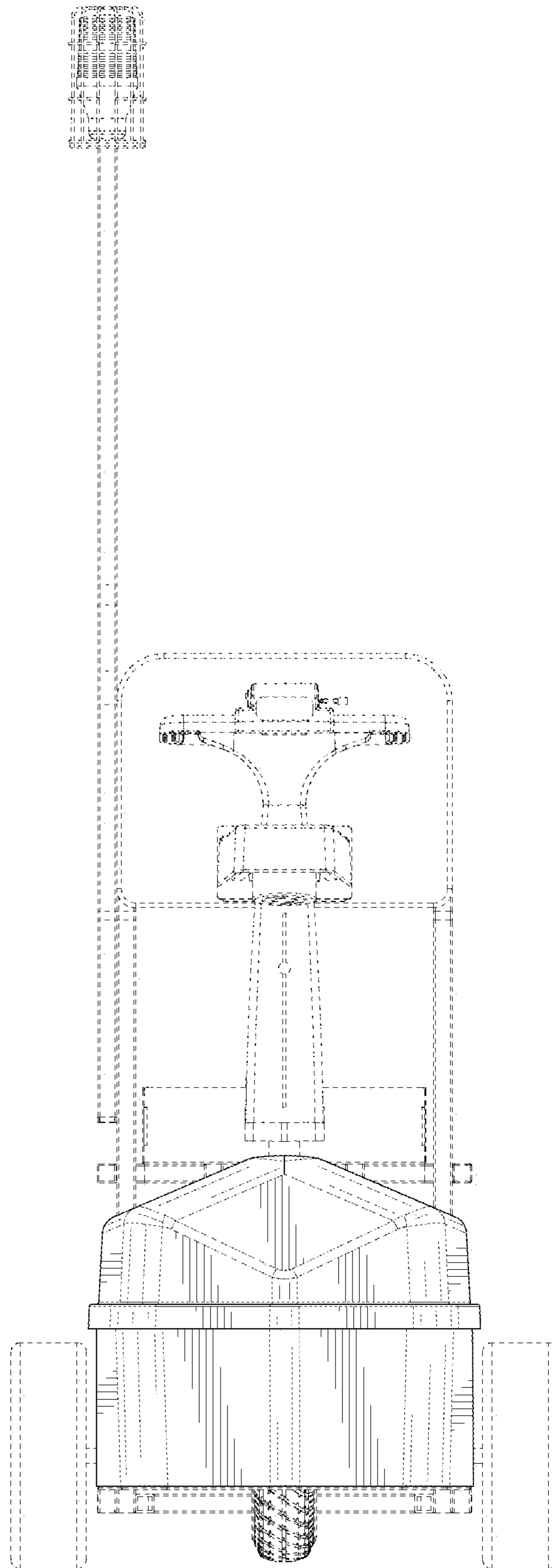


FIG. 3

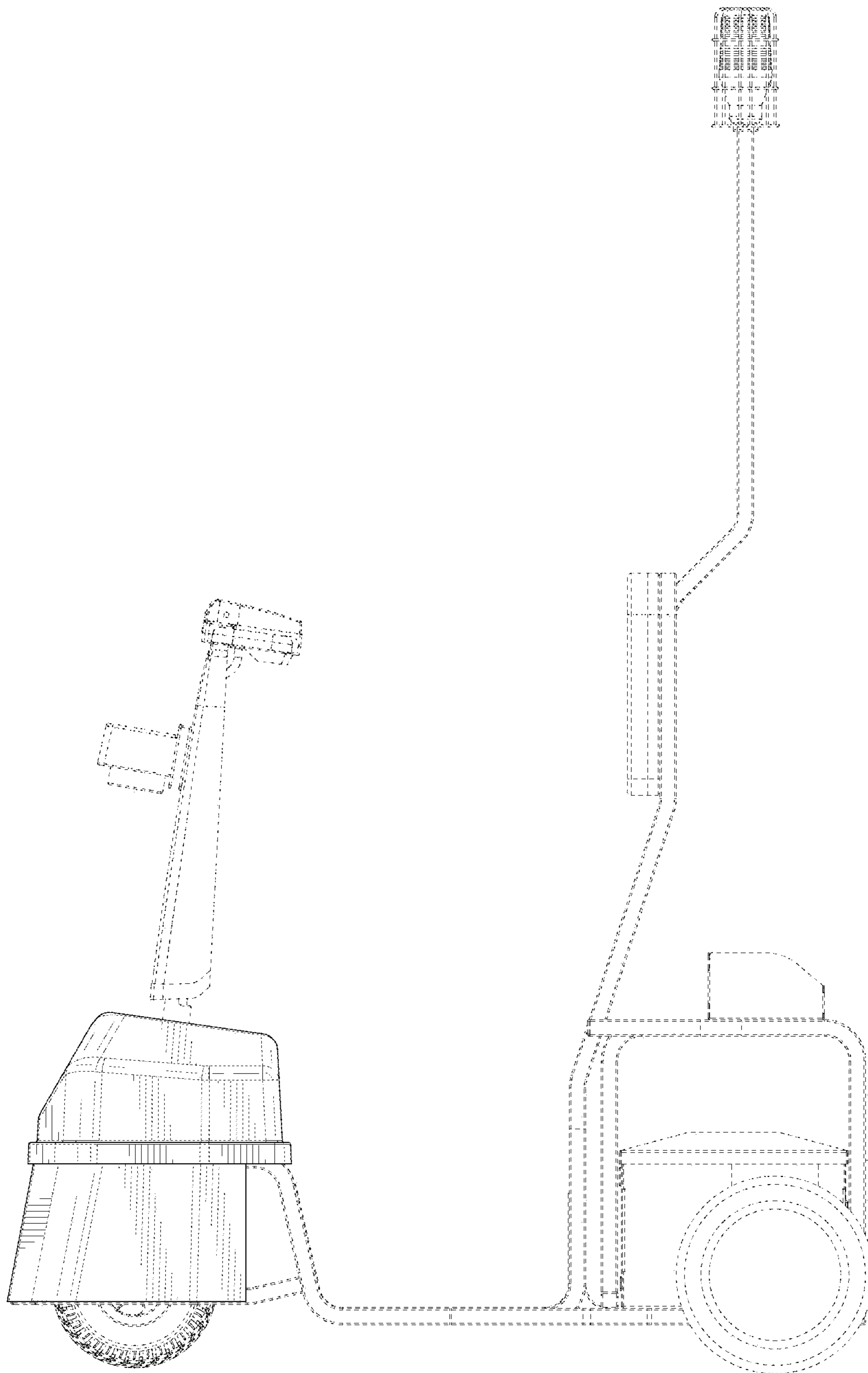


FIG. 4

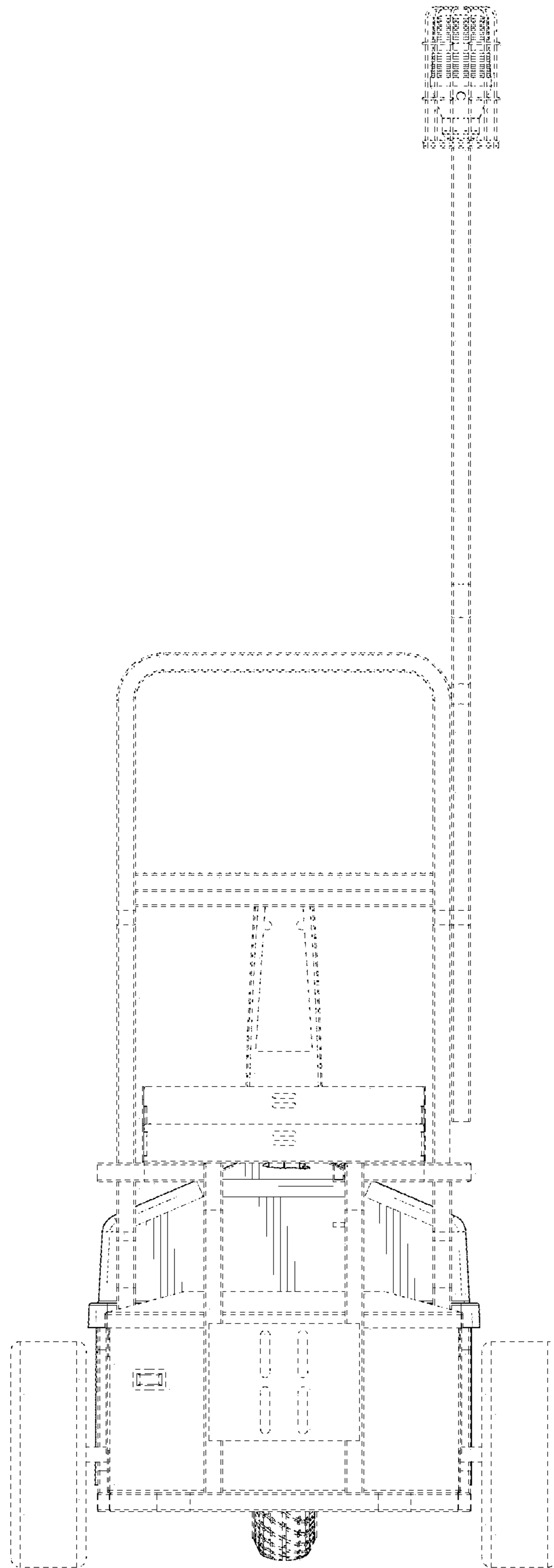


FIG. 5

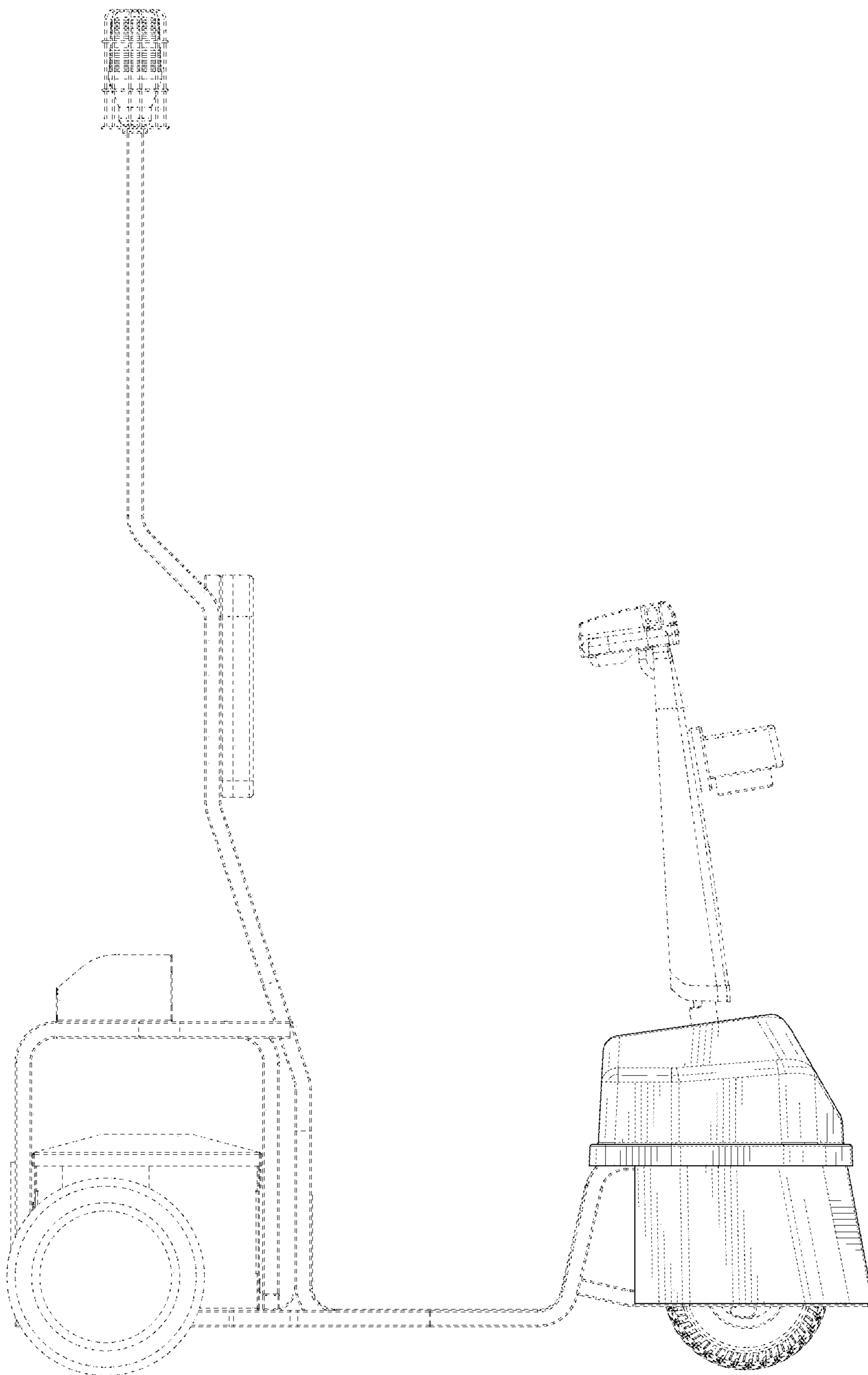


FIG. 6

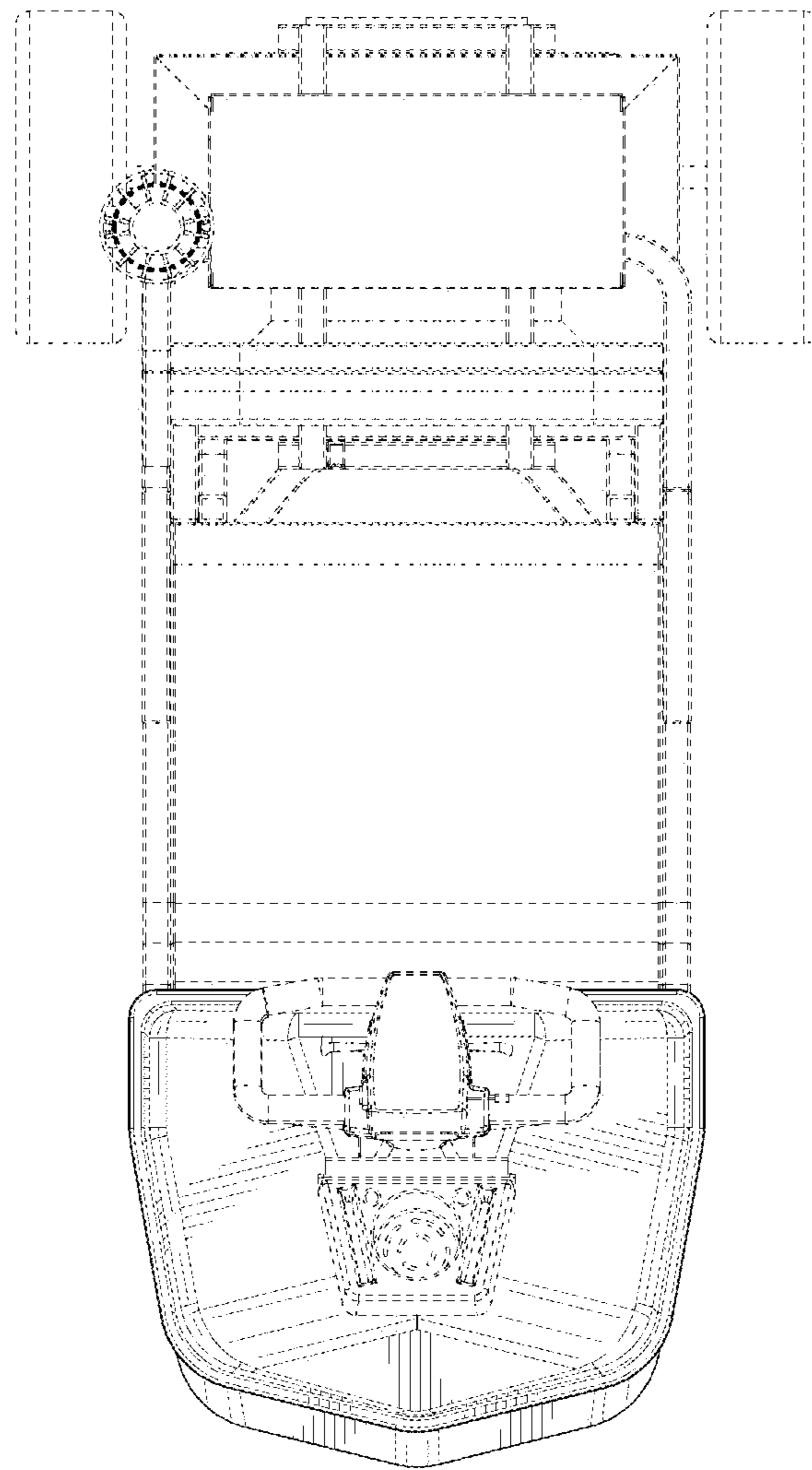


FIG. 7

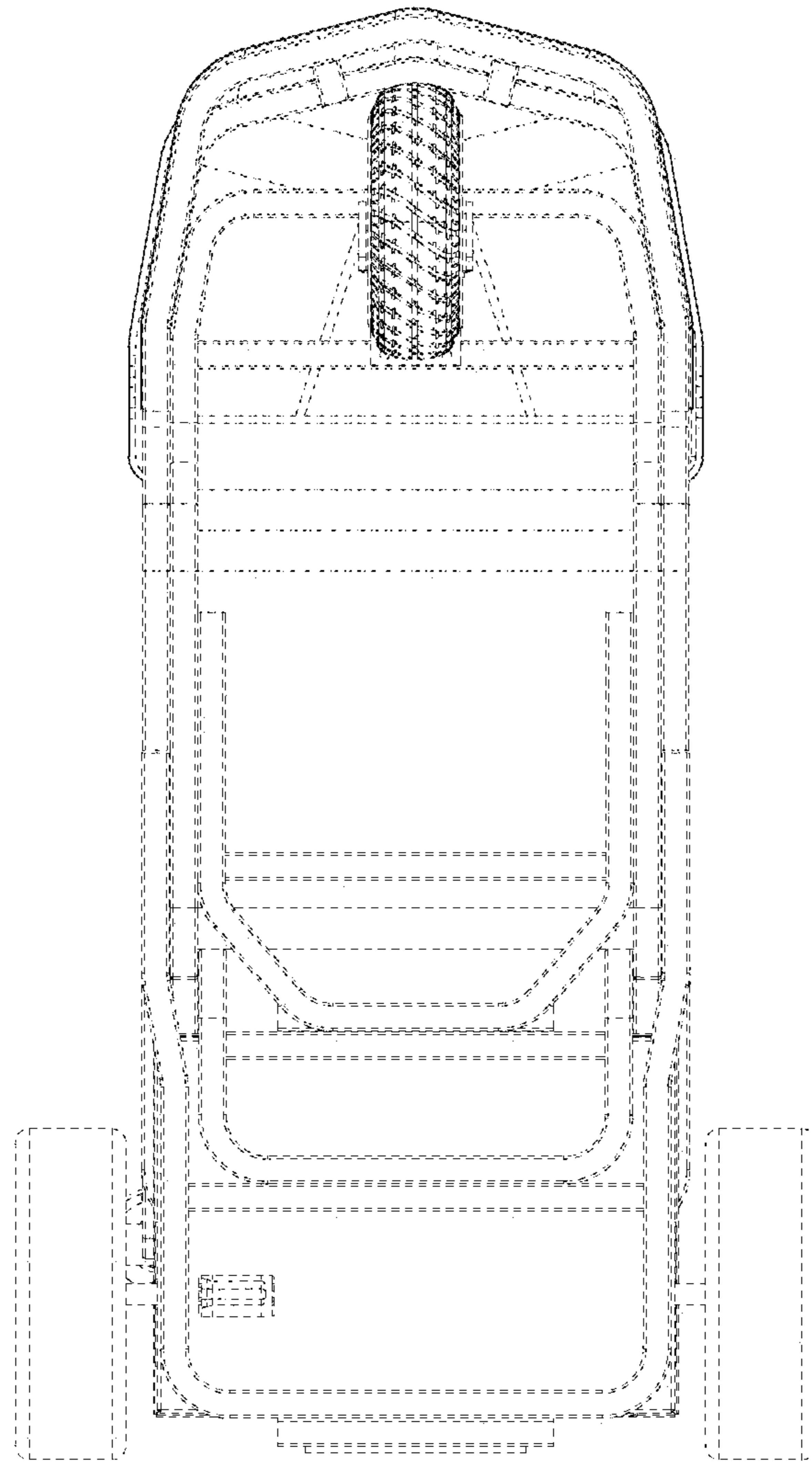


FIG. 8