



US00D955684S

(12) **United States Design Patent**  
**Stent**

(10) **Patent No.:** **US D955,684 S**  
(45) **Date of Patent:** **\*\* Jun. 21, 2022**

- (54) **TILLER CONTROL**
- (71) Applicant: **Hyster-Yale Group, Inc.**, Fairview, OR (US)
- (72) Inventor: **Mark Stent**, Fairview, OR (US)
- (73) Assignee: **HYSTER-YALE GROUP, INC.**, Fairview, OR (US)
- (\*\*) Term: **15 Years**
- (21) Appl. No.: **29/813,294**
- (22) Filed: **Oct. 27, 2021**

D463,458 S	9/2002	Arthur	
D516,097 S	2/2006	Bergman	
D583,837 S	12/2008	Andou	
D586,827 S	2/2009	Andou	
8,483,914 B2 *	7/2013	Copeland	..... E02F 9/2004 701/50
D728,634 S *	5/2015	Alpsten	..... D15/28
D757,634 S *	5/2016	Uusitalo	..... D12/421
D760,813 S *	7/2016	Roemer	..... D15/28
D854,055 S	7/2019	Hiraoka	
D859,475 S *	9/2019	Sasaki	..... D15/28
D903,725 S	12/2020	Loew	
D940,762 S *	1/2022	Stent	..... D15/28

\* cited by examiner

*Primary Examiner* — Mark A Goodwin  
(74) *Attorney, Agent, or Firm* — Schwabe Williamson & Wyatt

**Related U.S. Application Data**

- (62) Division of application No. 29/670,814, filed on Nov. 20, 2018, now Pat. No. Des. 940,762.
- (51) **LOC (13) Cl.** ..... **12-05**
- (52) **U.S. Cl.**  
USPC ..... **D34/35; D15/24**
- (58) **Field of Classification Search**  
USPC ..... D15/10, 17, 22–26, 28, 30; D12/192;  
D34/28, 35; 74/491, 469, 471 R,  
74/471 XY; 296/1.09, 191, 153;  
297/411.36, 217.3, 411.2, 411.21;  
180/333, 315, 326, 332, 329, 331, 90,  
180/334  
CPC ..... B60N 2/46; B60N 2/4646; B60N 2/4653;  
B60N 2/4693; B60N 2/38  
See application file for complete search history.

(57) **CLAIM**

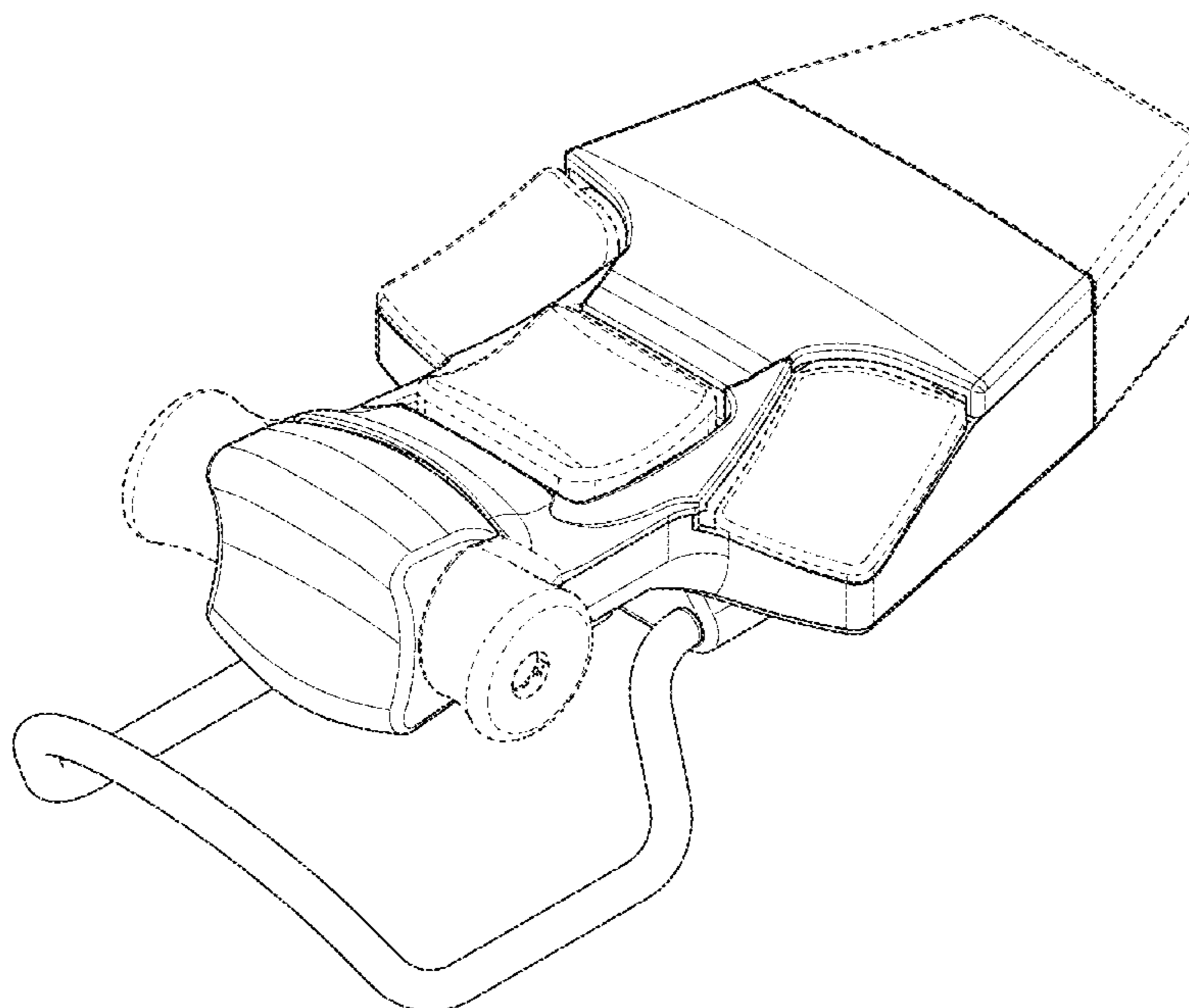
I claim the ornamental design for a tiller control, as shown and described.

**DESCRIPTION**

FIG. 1 is a front perspective view of a tiller control showing my new design;  
FIG. 2 is a front view thereof;  
FIG. 3 is a back view thereof;  
FIG. 4 is a right-side view thereof;  
FIG. 5 is a left-side view thereof;  
FIG. 6 is a top view thereof; and,  
FIG. 7 is a bottom view thereof.  
The dashed lines are included for illustrating unclaimed portions of the tiller control, and form no part of the claimed design.

- (56) **References Cited**  
U.S. PATENT DOCUMENTS  
4,396,067 A 8/1983 Enters  
4,895,040 A 1/1990 Soederberg

**1 Claim, 7 Drawing Sheets**



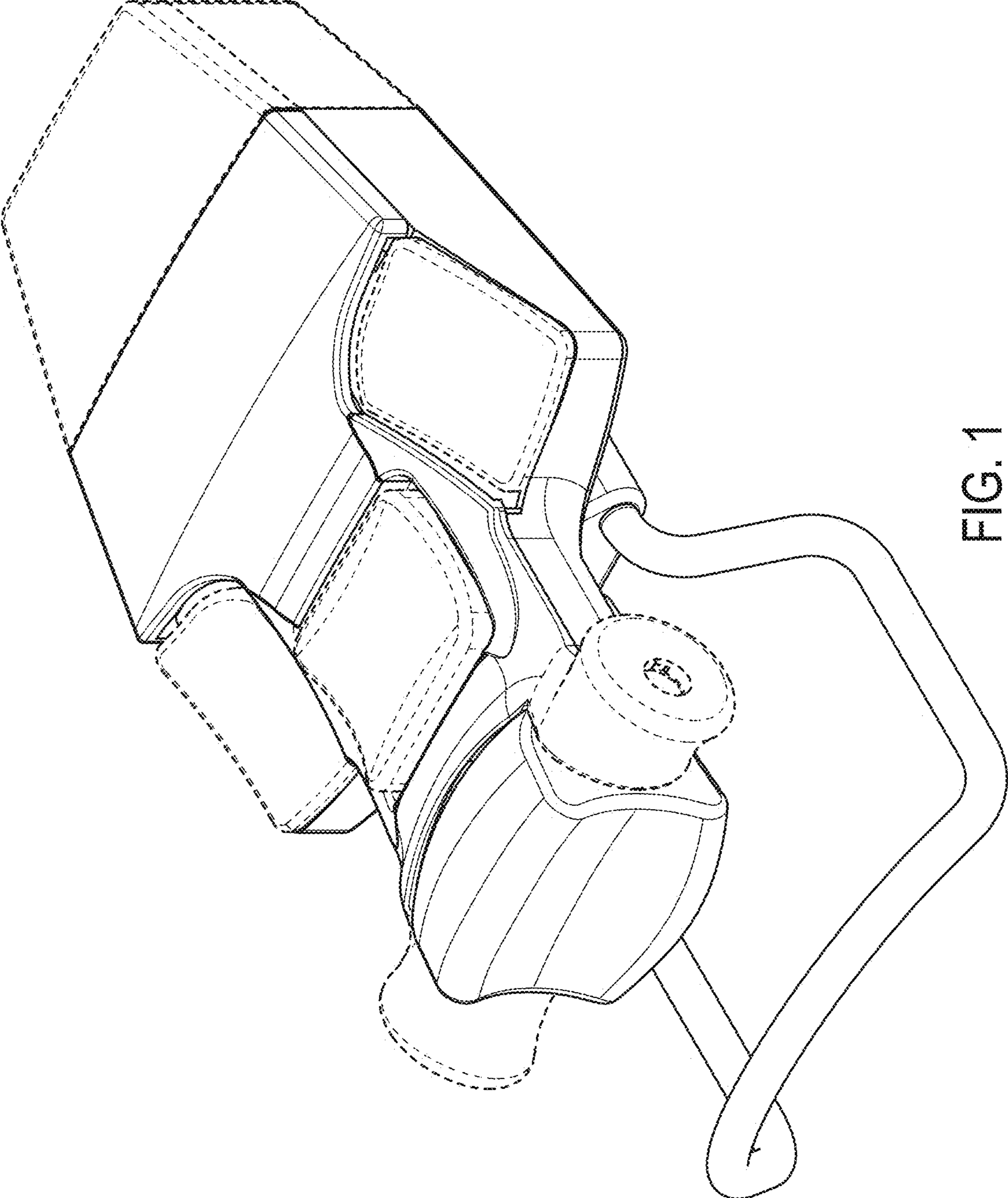


FIG. 1

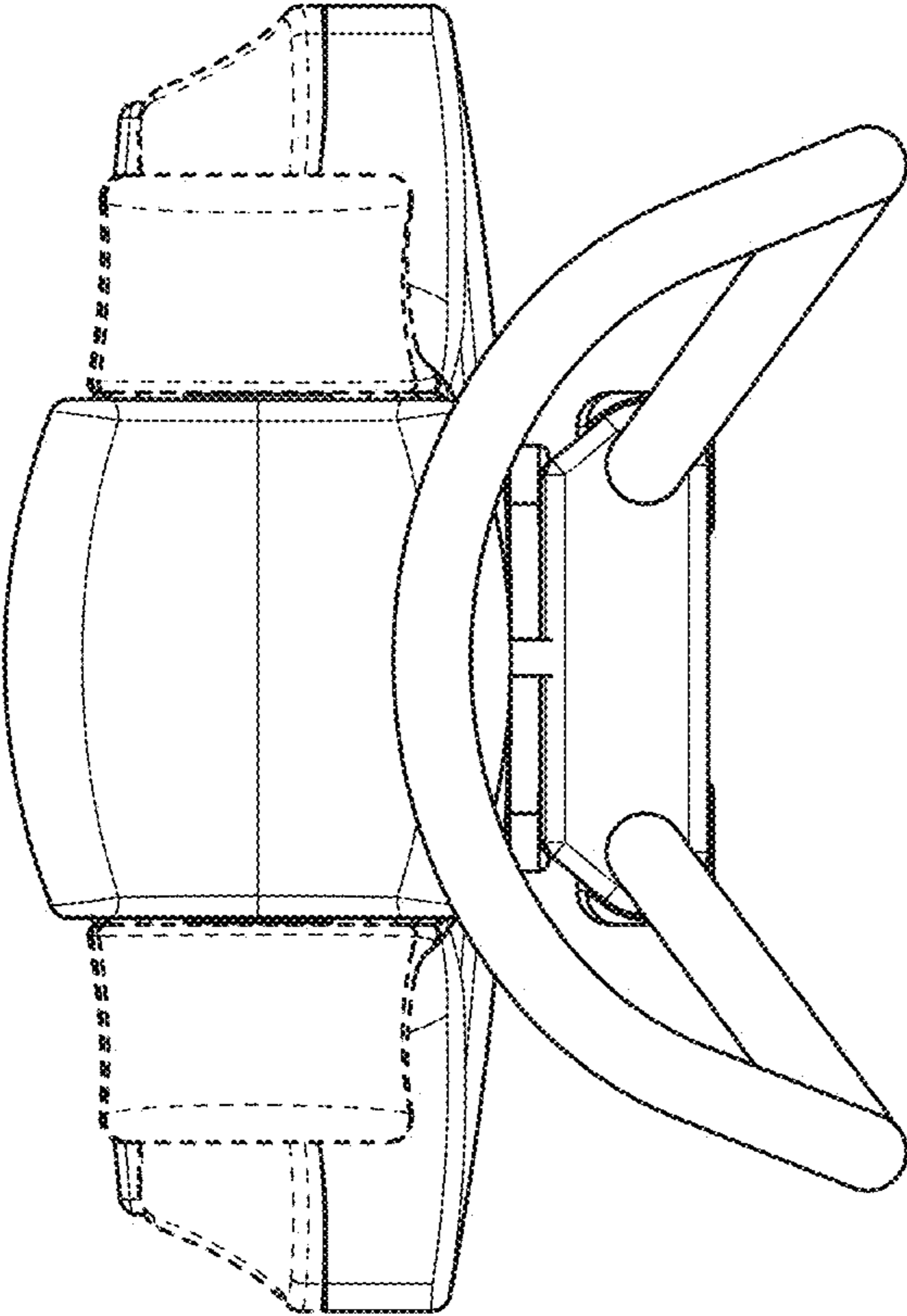


FIG. 2

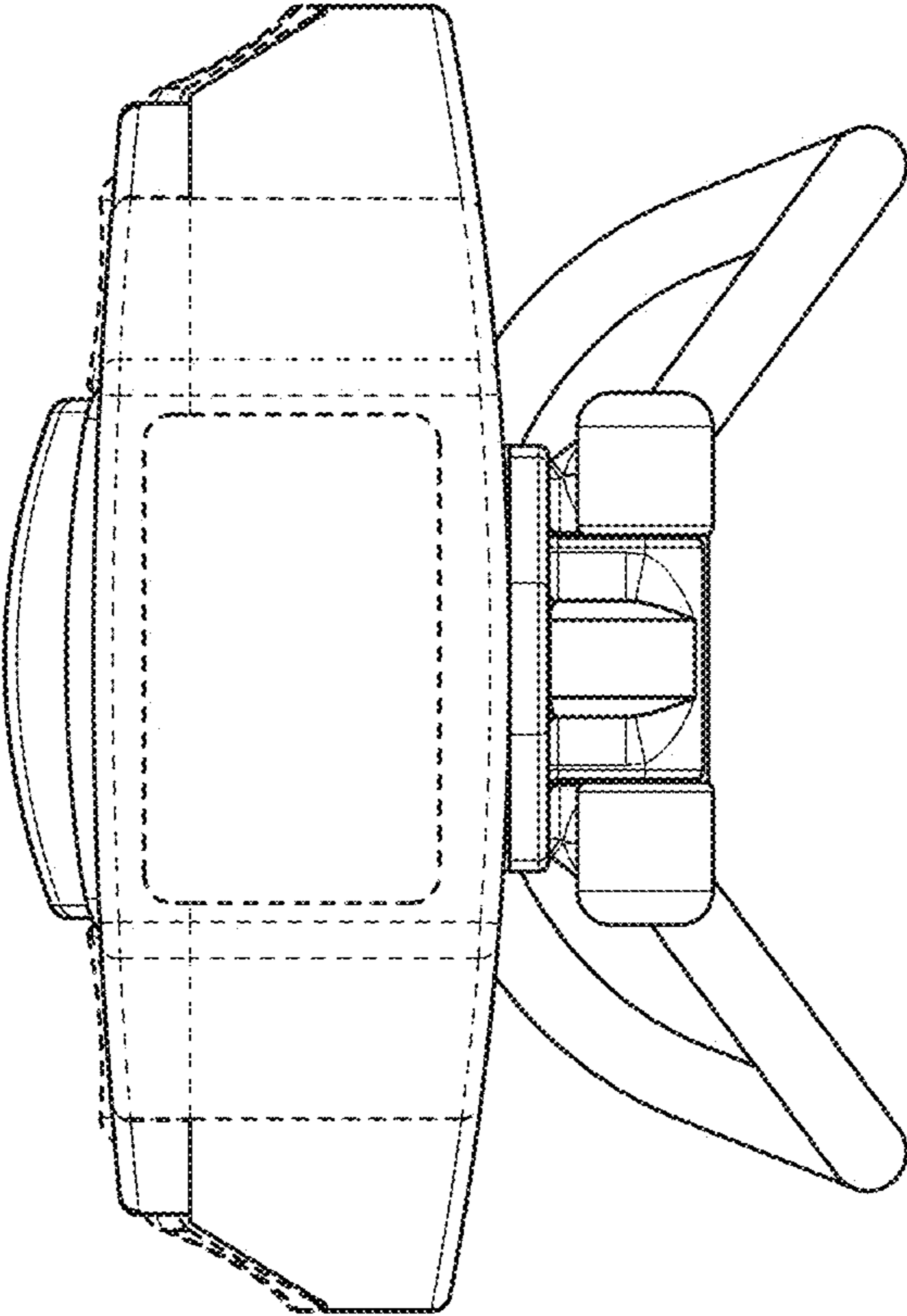


FIG. 3

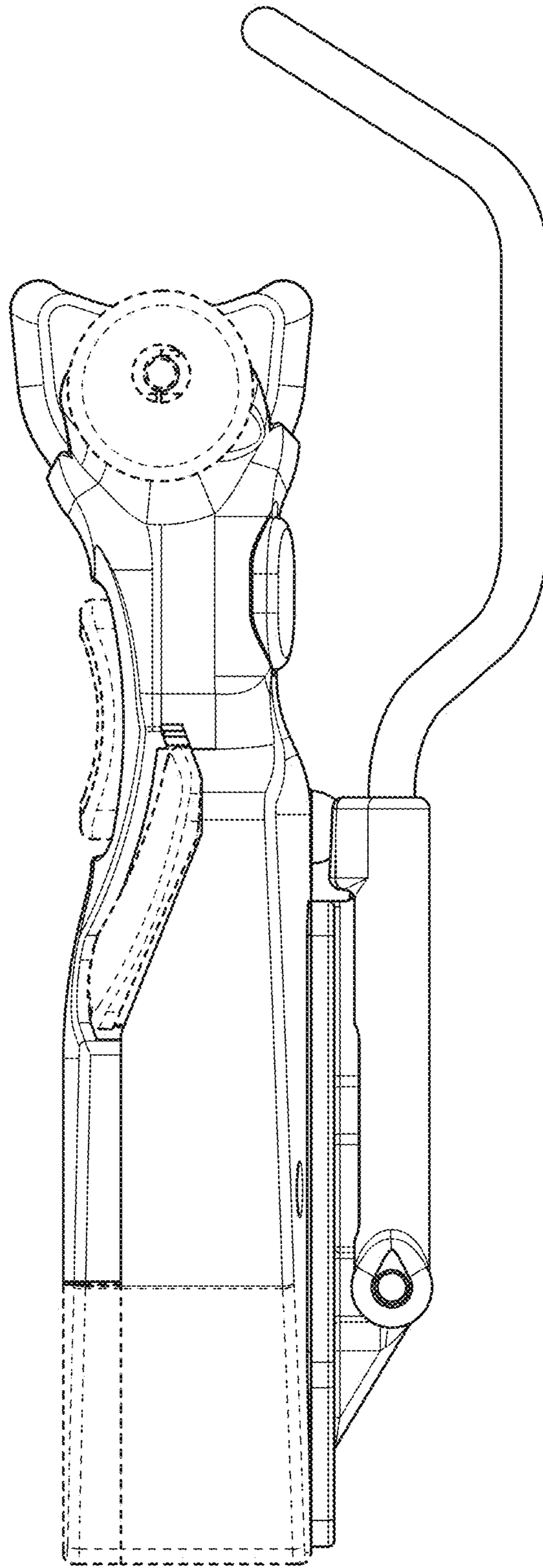


FIG. 4

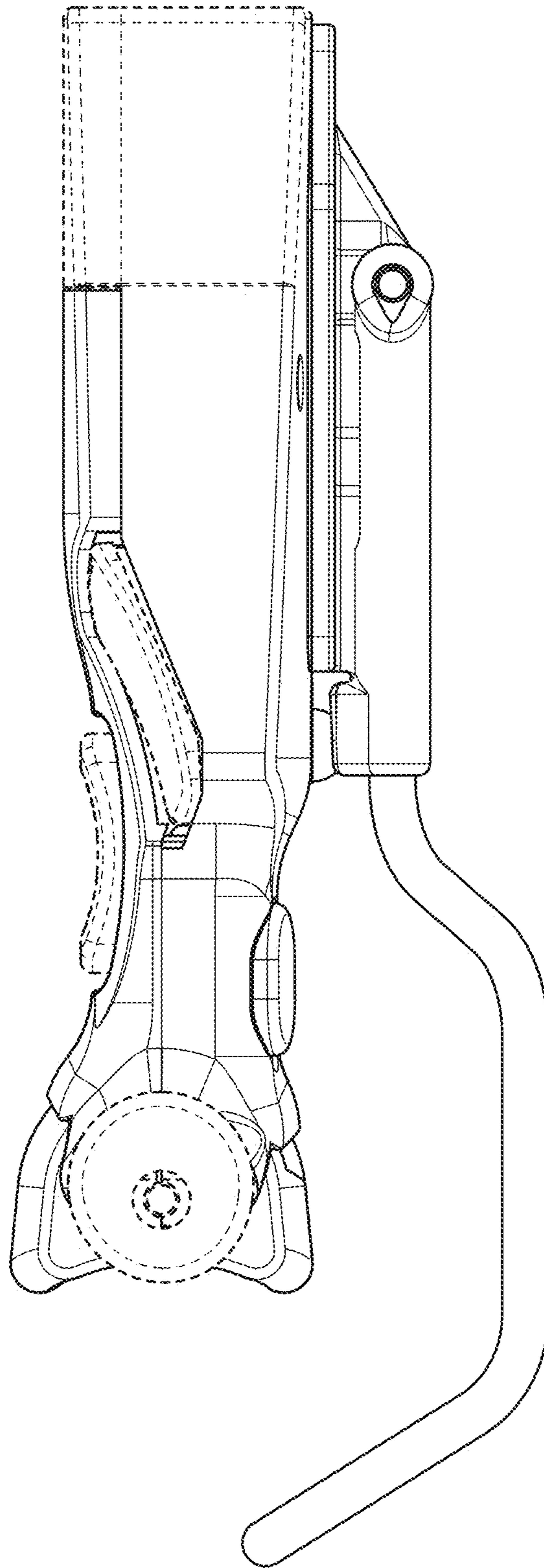


FIG. 5

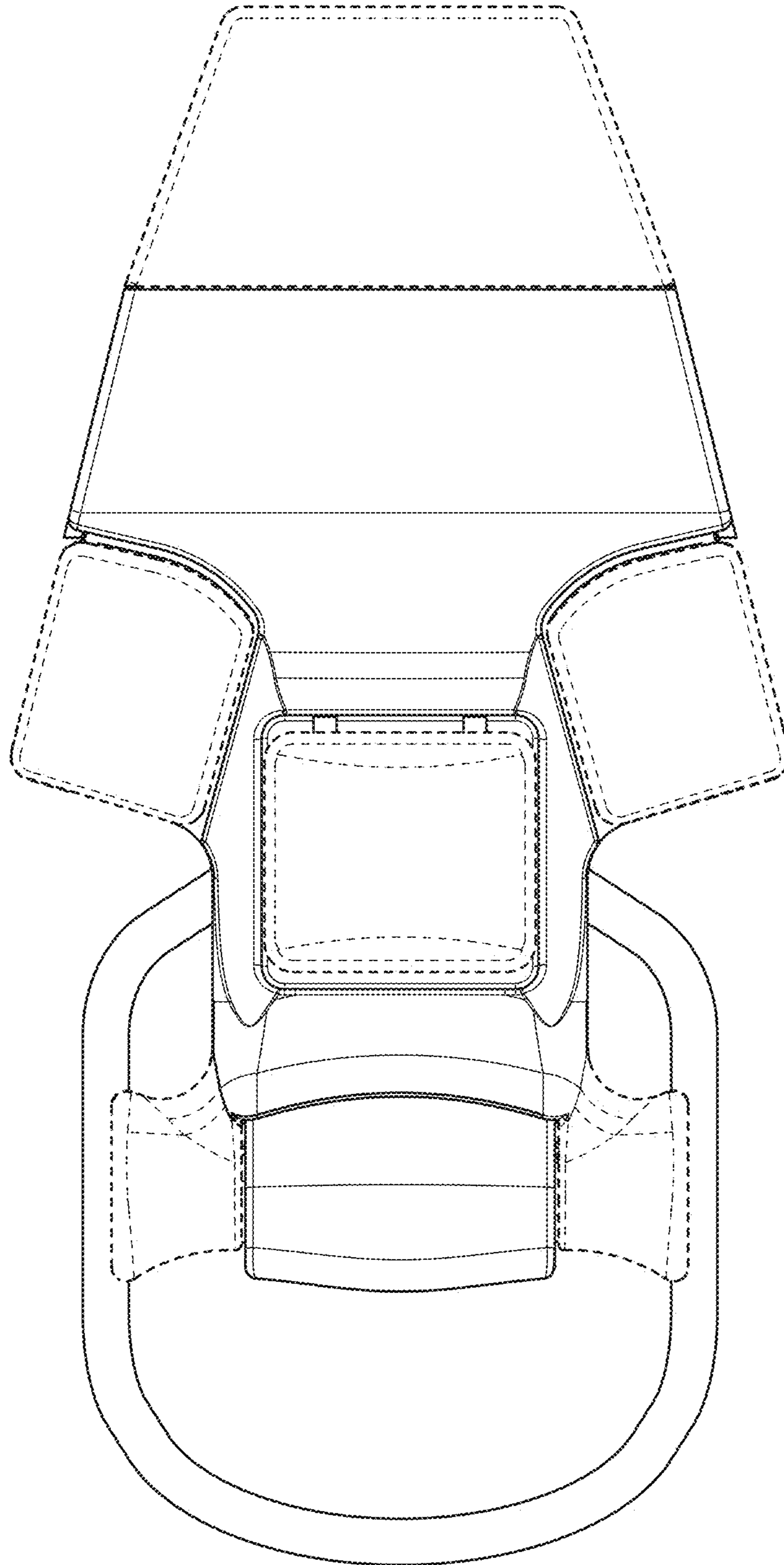


FIG. 6

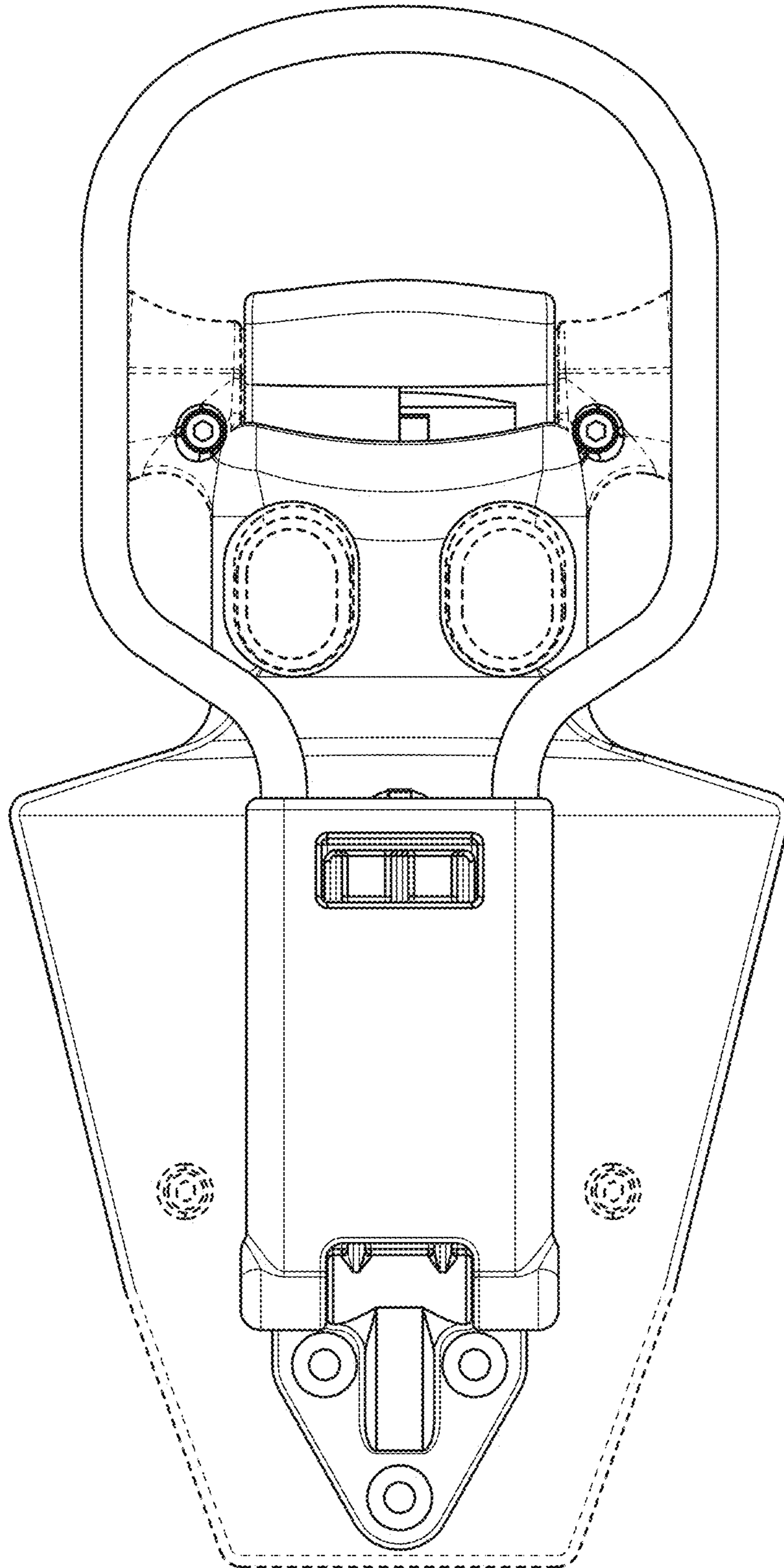


FIG. 7