



US00D955682S

(12) **United States Design Patent** (10) **Patent No.:** **US D955,682 S**
Tsai (45) **Date of Patent:** **** Jun. 21, 2022**

(54) **ROLLING CART**

(71) Applicant: **Tsung-Yu Tsai**, Changhua (TW)

(72) Inventor: **Tsung-Yu Tsai**, Changhua (TW)

(**) Term: **15 Years**

(21) Appl. No.: **29/739,446**

(22) Filed: **Jun. 25, 2020**

(51) **LOC (13) Cl.** **12-02**

(52) **U.S. Cl.**
USPC **D34/21**

(58) **Field of Classification Search**

USPC D34/12-14, 17, 19, 20, 21, 23, 26, 27
CPC .. B62B 1/00; B62B 1/008; B62B 1/12; B62B
1/10; B62B 3/002; B62B 3/006; B62B
3/02; B62B 3/10; B62B 3/022; B62B
3/001; B62B 3/067; B62B 5/003; B62B
5/0083; B62B 5/005

See application file for complete search history.

(56) **References Cited**

U.S. PATENT DOCUMENTS

D852,448 S *	6/2019	Hu	D34/21
D902,521 S *	11/2020	Tsai	D34/21
D919,918 S *	5/2021	Liu	D34/21
D922,023 S *	6/2021	Chen	D34/21
D945,106 S *	3/2022	Gao	D34/21
2020/0231197 A1 *	7/2020	Liu	B62B 3/02

OTHER PUBLICATIONS

Toolf Cart, announced Jan. 2021 [online], [site visited Mar. 6, 2022]. Available from internet, URL: <https://www.amazon.com/>

TOOLF-Lockable-Organizer-Assembly-Classroom/dp/B08TTK1XPH/ref=sr_1_21 (Year: 2021).*

King Rack Cart, announced Jun. 2020 [online], [site visited Mar. 6, 2022]. Available from internet, URL: <https://www.wayfair.com/commercial-business-furniture/pdp/kingrack-3-tier-rolling-cart-kigr1003.html> (Year: 2020).*

* cited by examiner

Primary Examiner — Cynthia Ramirez

Assistant Examiner — Tamara L Hahn

(74) *Attorney, Agent, or Firm* — Muncy, Geissler, Olds & Lowe, P.C.

(57) **CLAIM**

The ornamental design for a rolling cart, as shown and described.

DESCRIPTION

FIG. 1 is a top front perspective view of a rolling cart, showing the new design;

FIG. 2 is a front elevational view thereof;

FIG. 3 is a rear elevational view thereof;

FIG. 4 is a left side elevational view thereof;

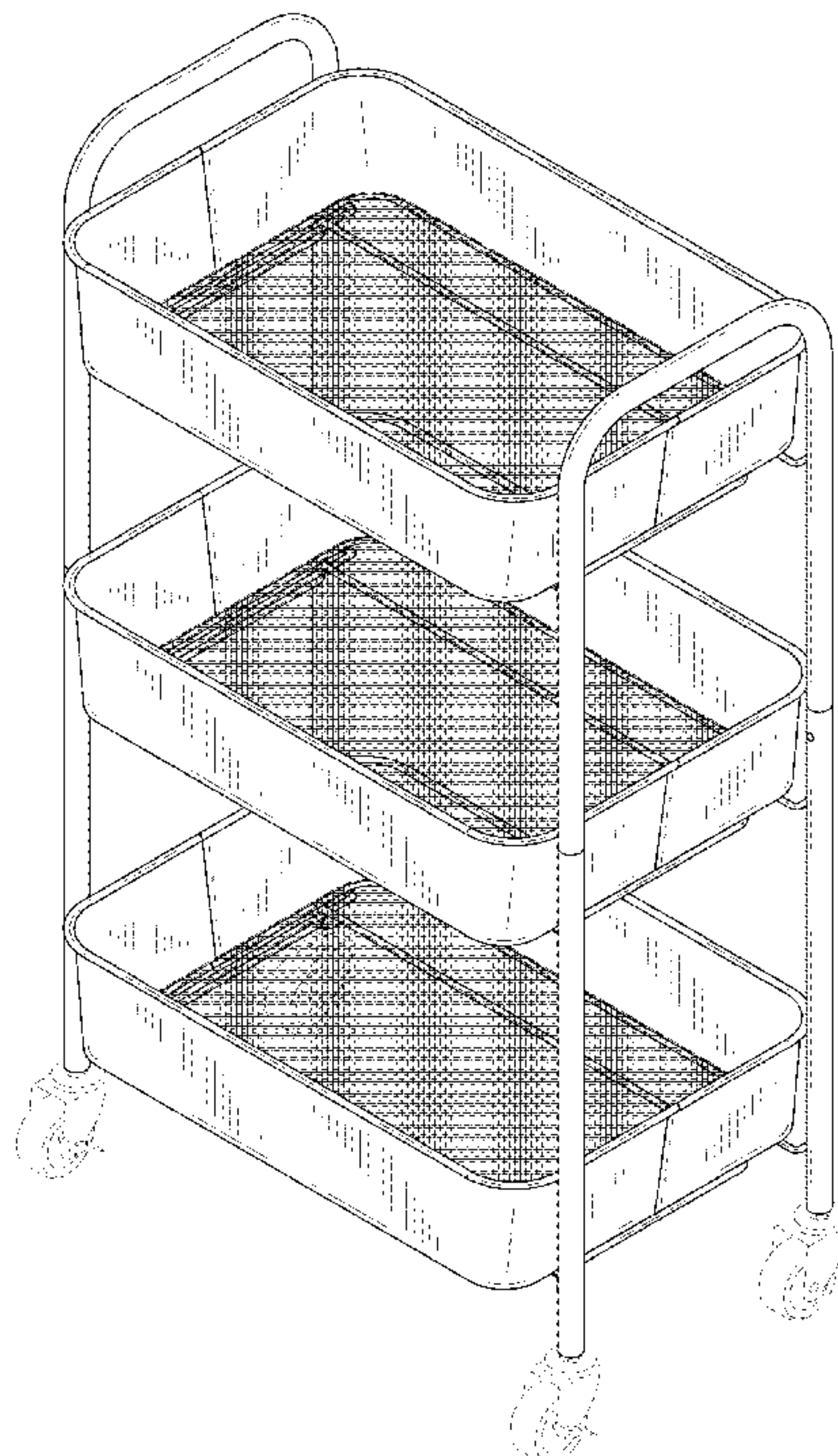
FIG. 5 is a right side elevational view thereof;

FIG. 6 is a top plan view thereof; and,

FIG. 7 is a bottom plan view thereof.

The broken lines showing the casters are included to show portions of the rolling cart that form no part of the claimed design.

1 Claim, 6 Drawing Sheets



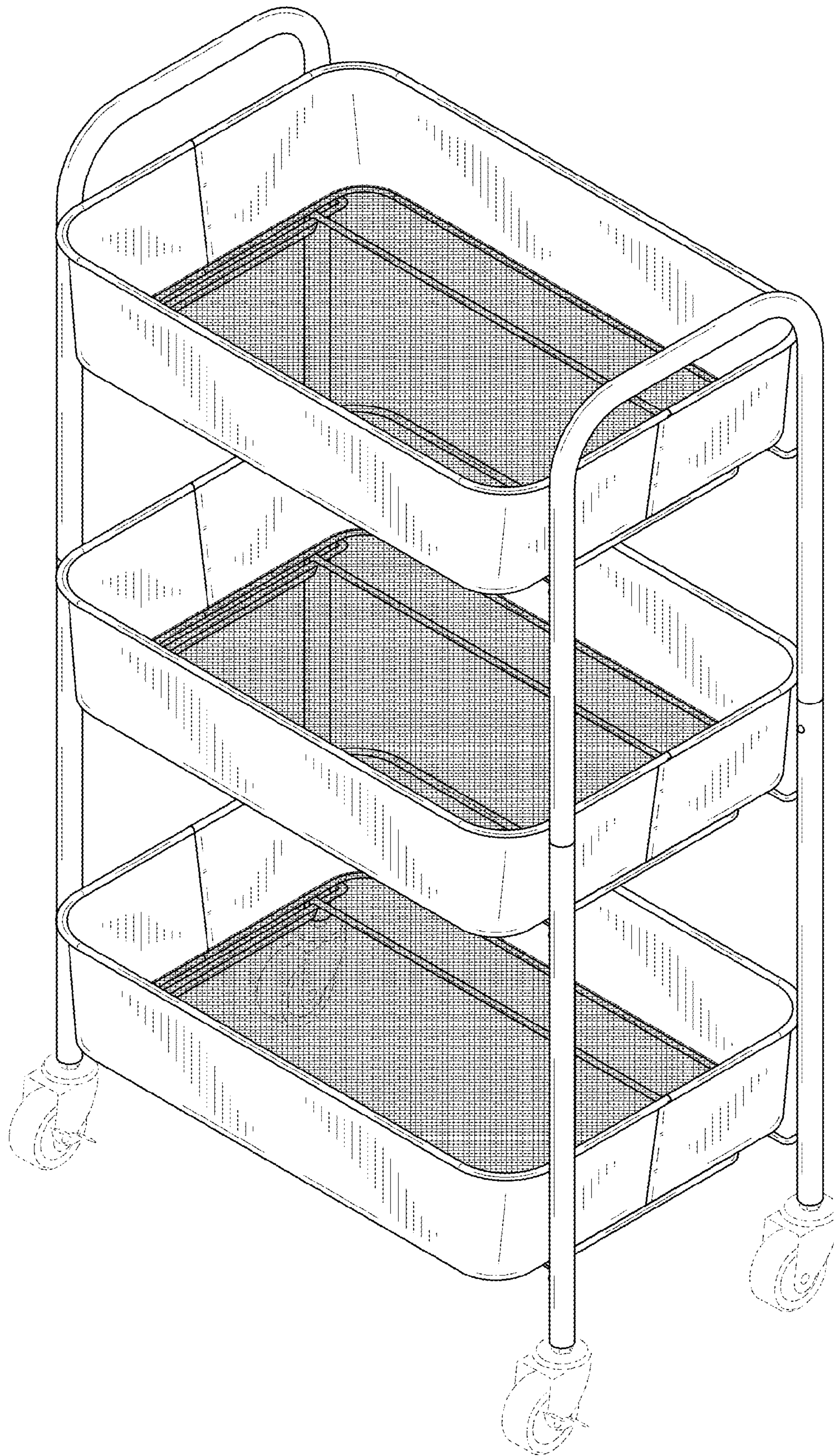


FIG. 1

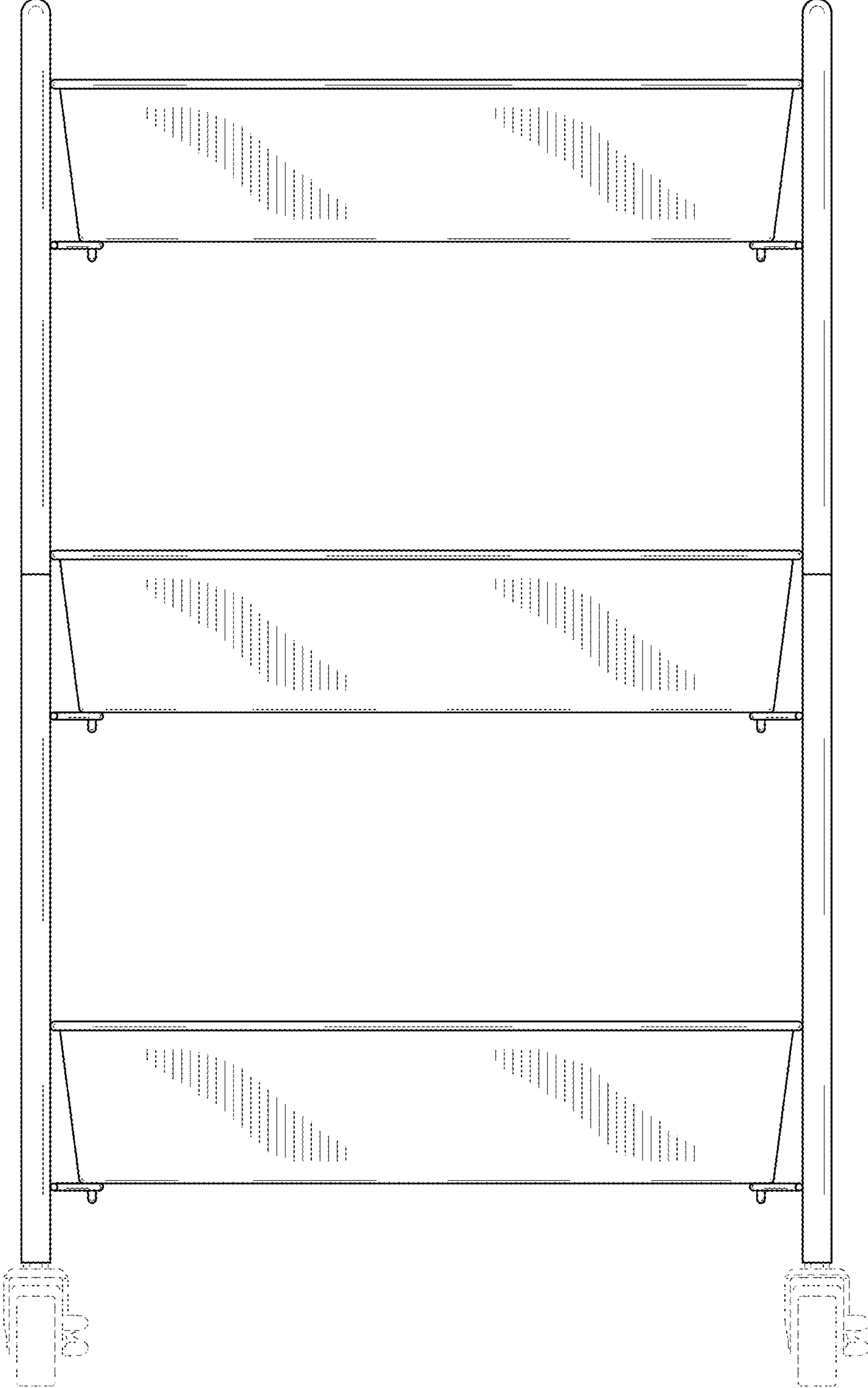


FIG. 2

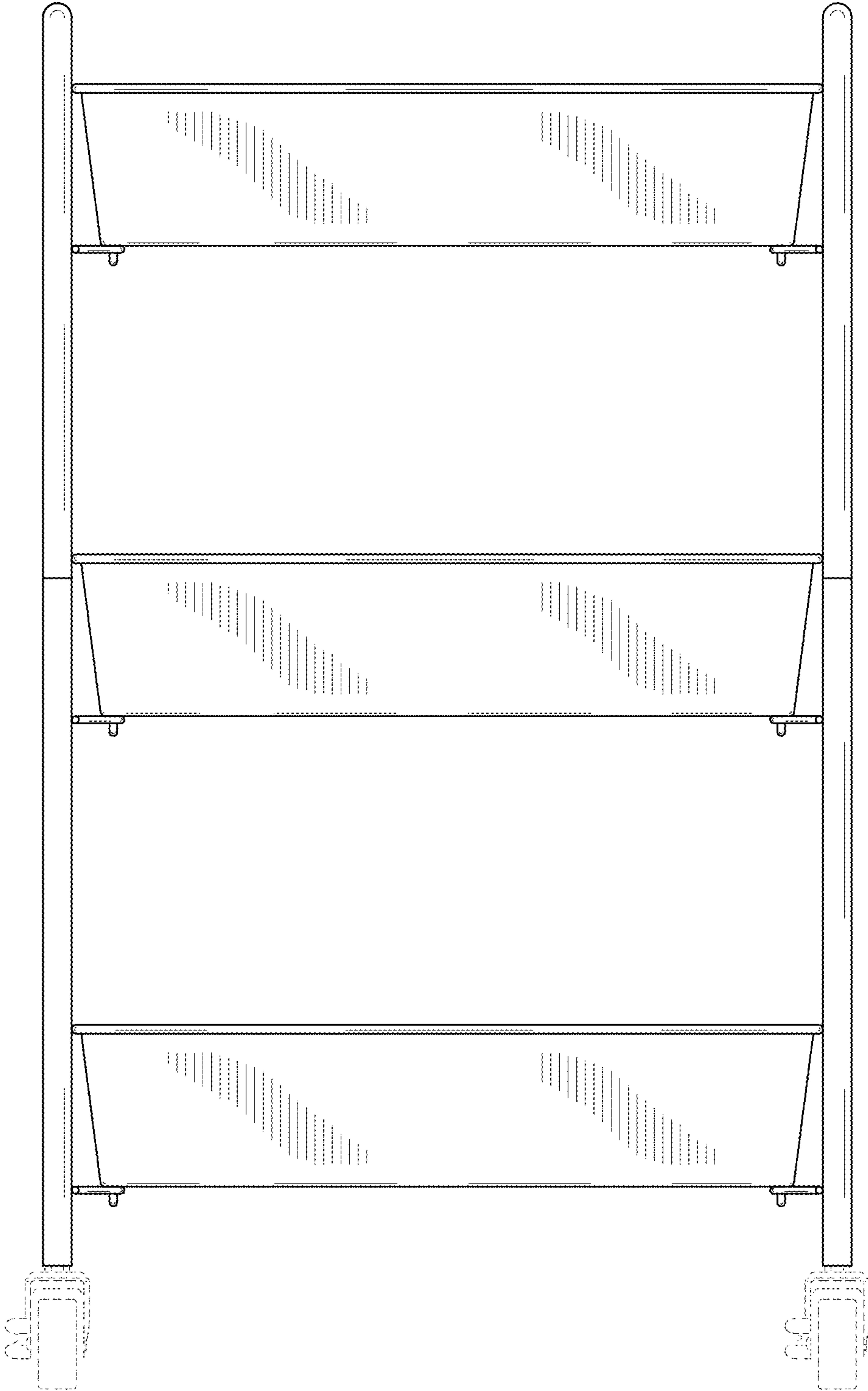


FIG. 3

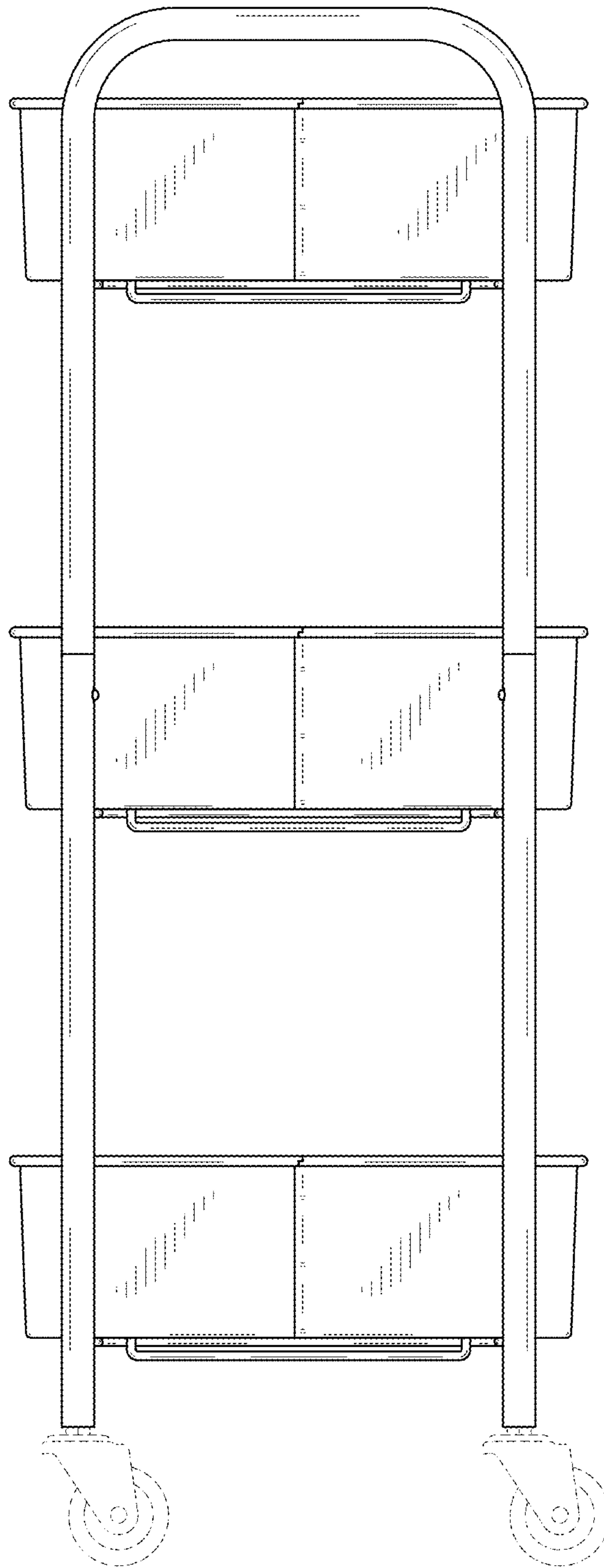


FIG. 4

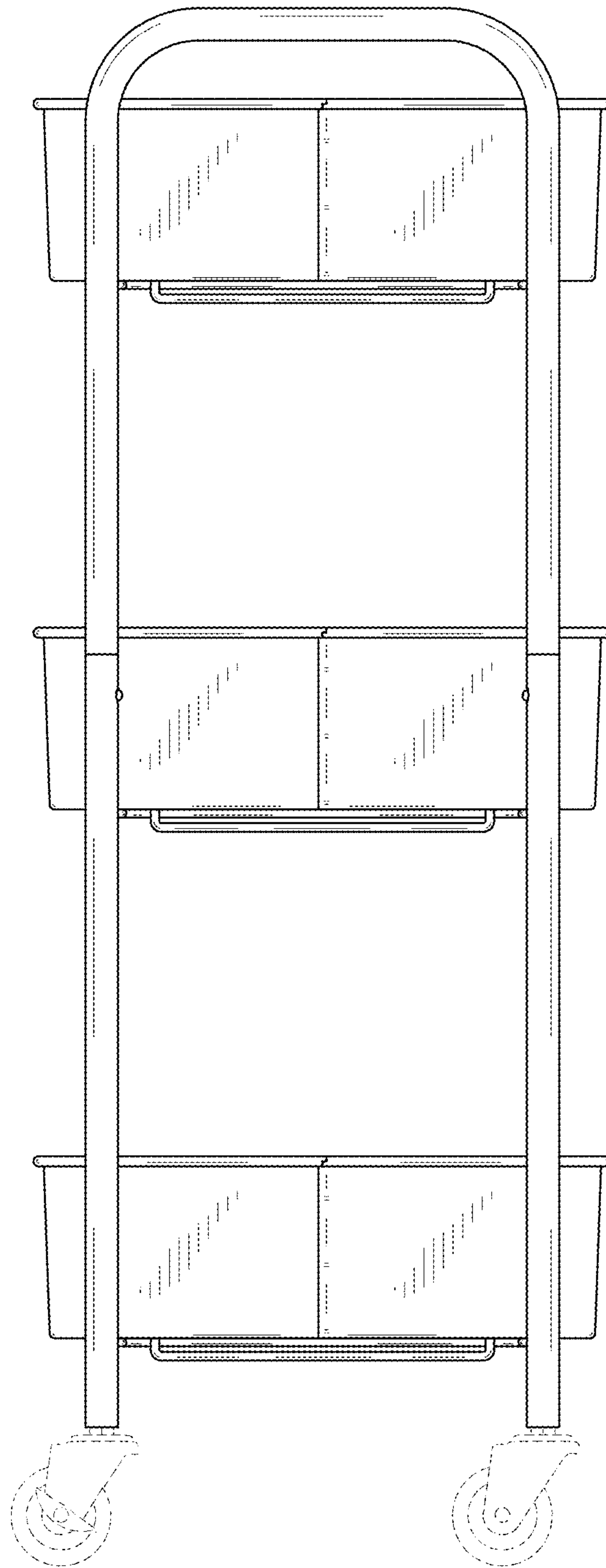


FIG. 5

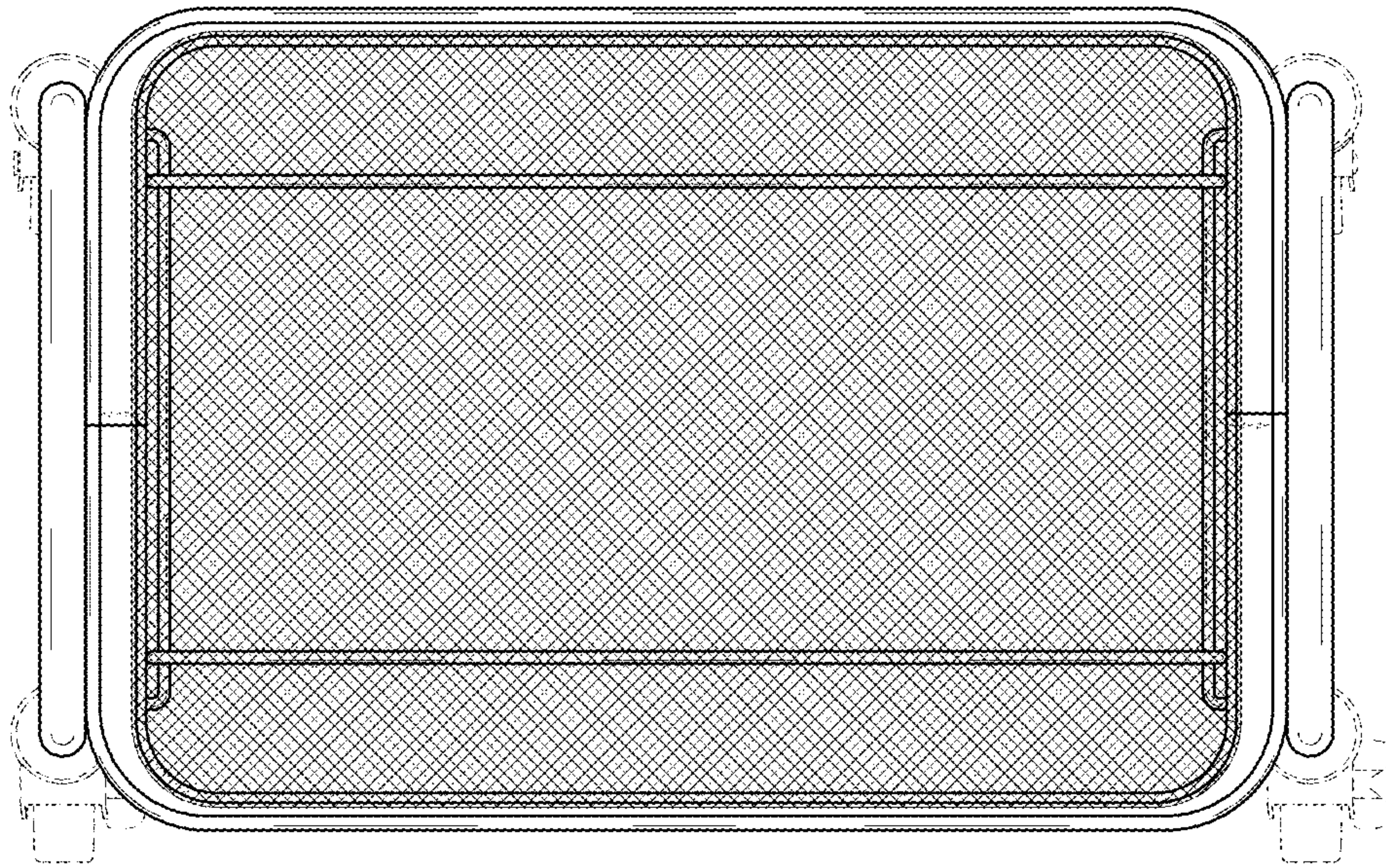


FIG. 6

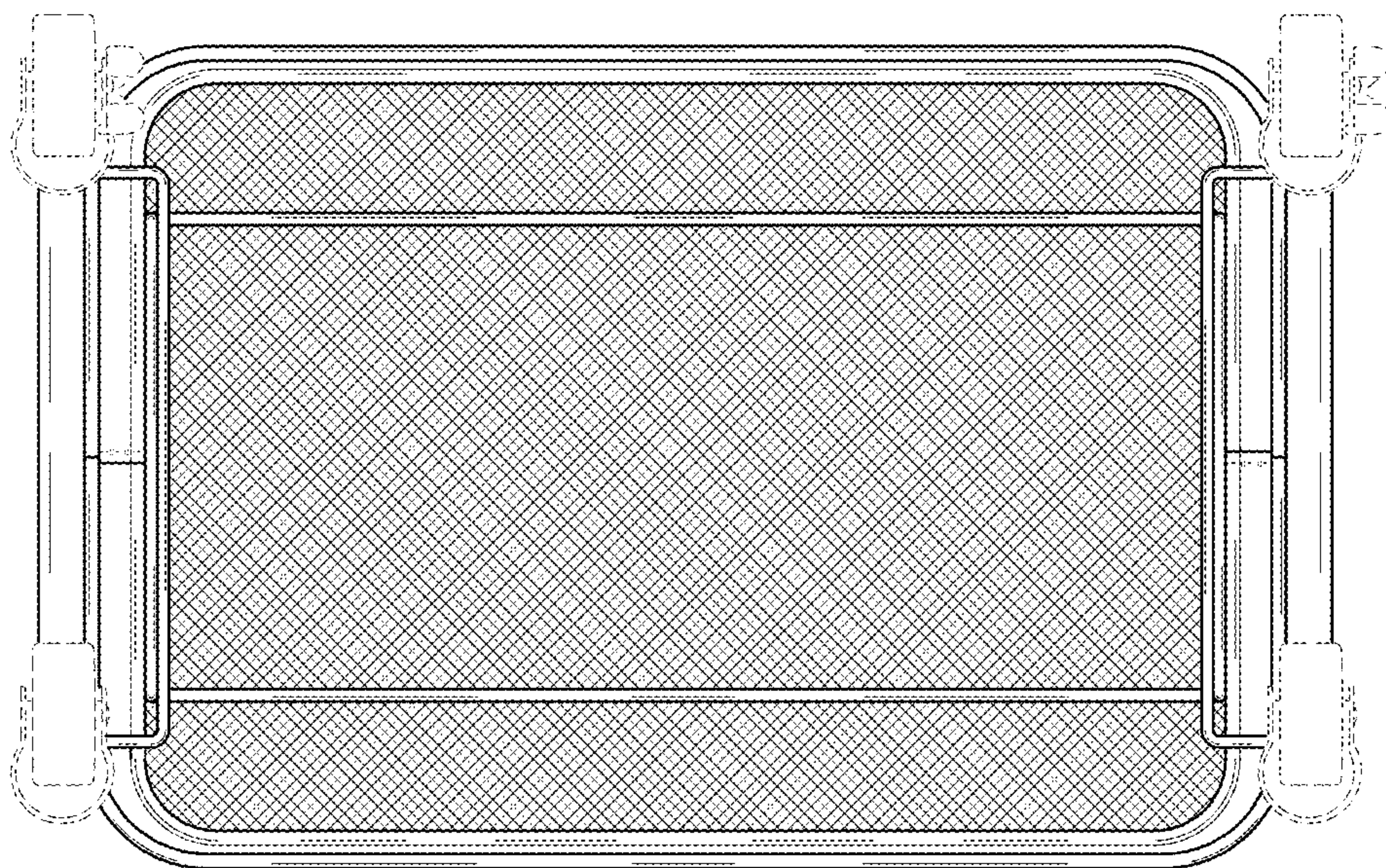


FIG. 7