



US00D955681S

(12) **United States Design Patent**  
**Simonetti**

(10) **Patent No.:** **US D955,681 S**  
(45) **Date of Patent:** **\*\* Jun. 21, 2022**

(54) **DUSTBIN**  
(71) Applicant: **PLAST-MECCANICA SOCIETA' PER AZIONI**, Castelbellino (IT)  
(72) Inventor: **Lorenzo Simonetti**, Jesi (IT)  
(\*\*) Term: **15 Years**

D907,875 S \* 1/2021 Chen ..... D34/11  
D914,316 S \* 3/2021 Pearson ..... D34/1  
D943,113 S \* 2/2022 Flaumenbaum ..... D25/33  
2005/0016999 A1 \* 1/2005 Richardson ..... B65F 1/1615  
220/4.28  
2007/0125778 A1 \* 6/2007 Uffner ..... B65F 1/1615  
220/4.28

(21) Appl. No.: **29/765,521**  
(22) Filed: **Jan. 8, 2021**  
(51) **LOC (13) Cl.** ..... **09-09**  
(52) **U.S. Cl.**  
USPC ..... **D34/9**  
(58) **Field of Classification Search**  
USPC ..... D34/1, 5, 6, 7, 8, 9, 10, 11  
CPC .... B65F 1/06; B65F 1/006; B65F 1/10; B65F  
1/16; B65F 1/1607; B65F 1/67; B65F  
1/02; B65F 1/14; B65F 1/062; B65F  
1/014; B65F 1/163; B65F 1/1438; B65F  
1/162; B65F 1/1623; B65F 1/004; B65F  
1/1473; B65F 1/002; B65F 1/04; B65F  
2240/138  
See application file for complete search history.

**FOREIGN PATENT DOCUMENTS**

JP 2021020753 A \* 2/2021

\* cited by examiner

*Primary Examiner* — Cynthia Ramirez

(74) *Attorney, Agent, or Firm* — Egbert, McDaniel & Swartz, PLLC

(56) **References Cited**

**U.S. PATENT DOCUMENTS**

4,798,363 A \* 1/1989 Cortesi ..... B65F 1/062  
220/495.07  
D472,688 S \* 4/2003 Lin ..... D34/9  
7,073,677 B2 \* 7/2006 Richardson ..... B65F 1/02  
220/908  
D538,500 S \* 3/2007 Lin ..... D34/7  
D809,729 S \* 2/2018 Chen ..... D34/7  
D872,959 S \* 1/2020 Chen ..... D34/7

(57) **CLAIM**

The ornamental design for a dustbin, as shown and described.

**DESCRIPTION**

FIG. 1 is a front perspective view of a dustbin showing my new design.

FIG. 2 is a front view thereof;

FIG. 3 is a rear view thereof;

FIG. 4 is a side view thereof;

FIG. 5 is an opposite side view thereof;

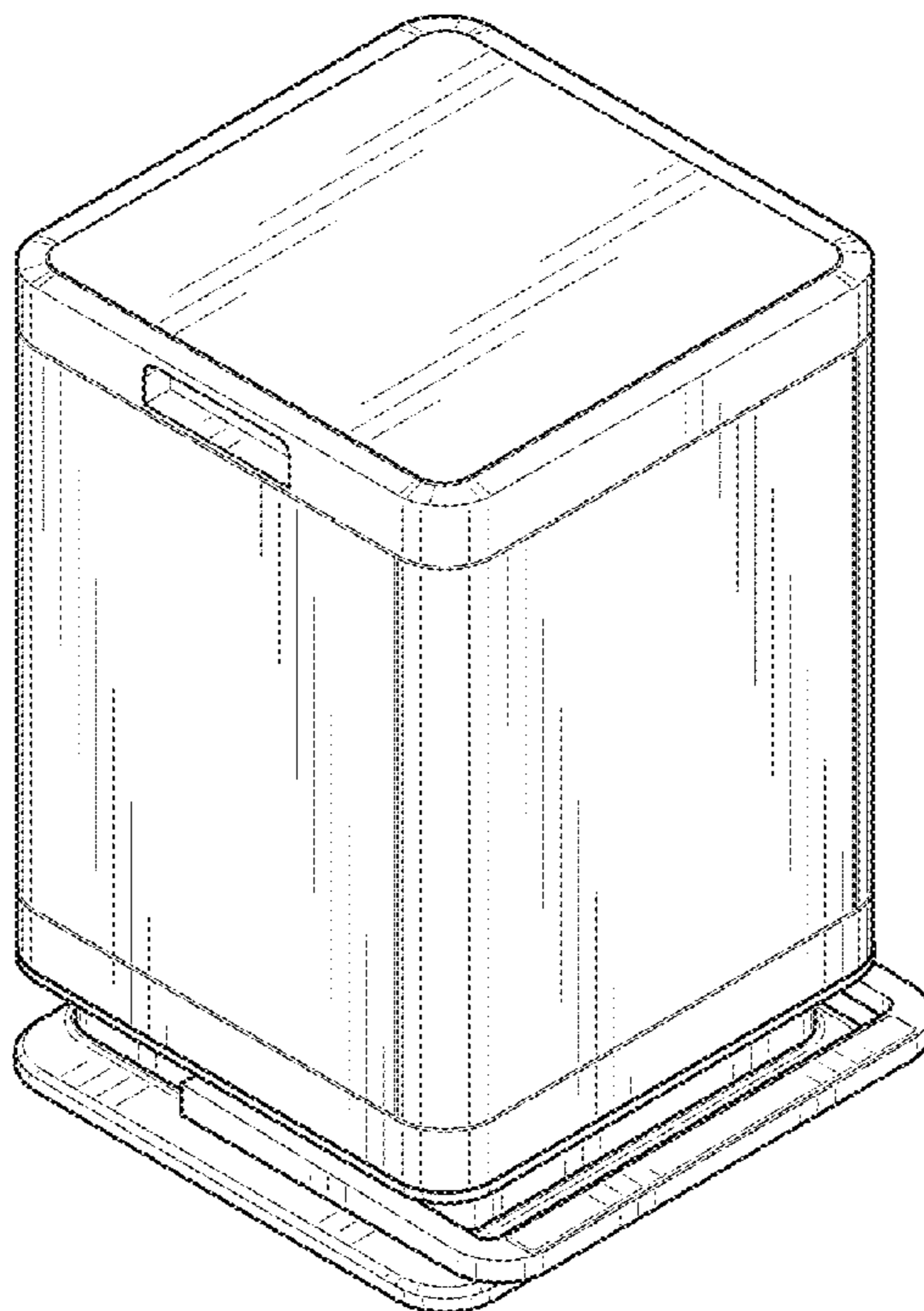
FIG. 6 is a top view thereof;

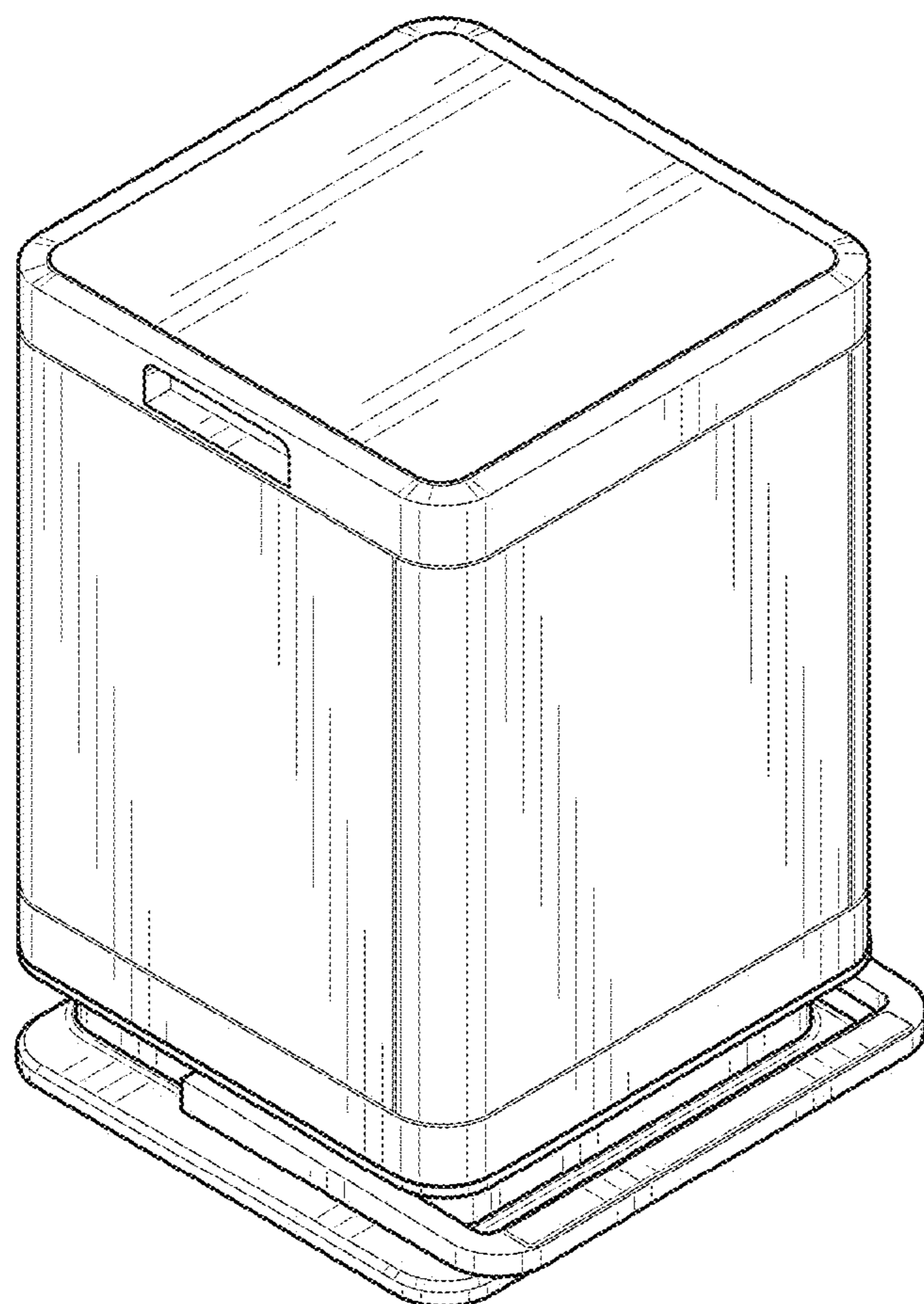
FIG. 7 is a bottom view thereof; and,

FIG. 8 is a rear perspective view thereof.

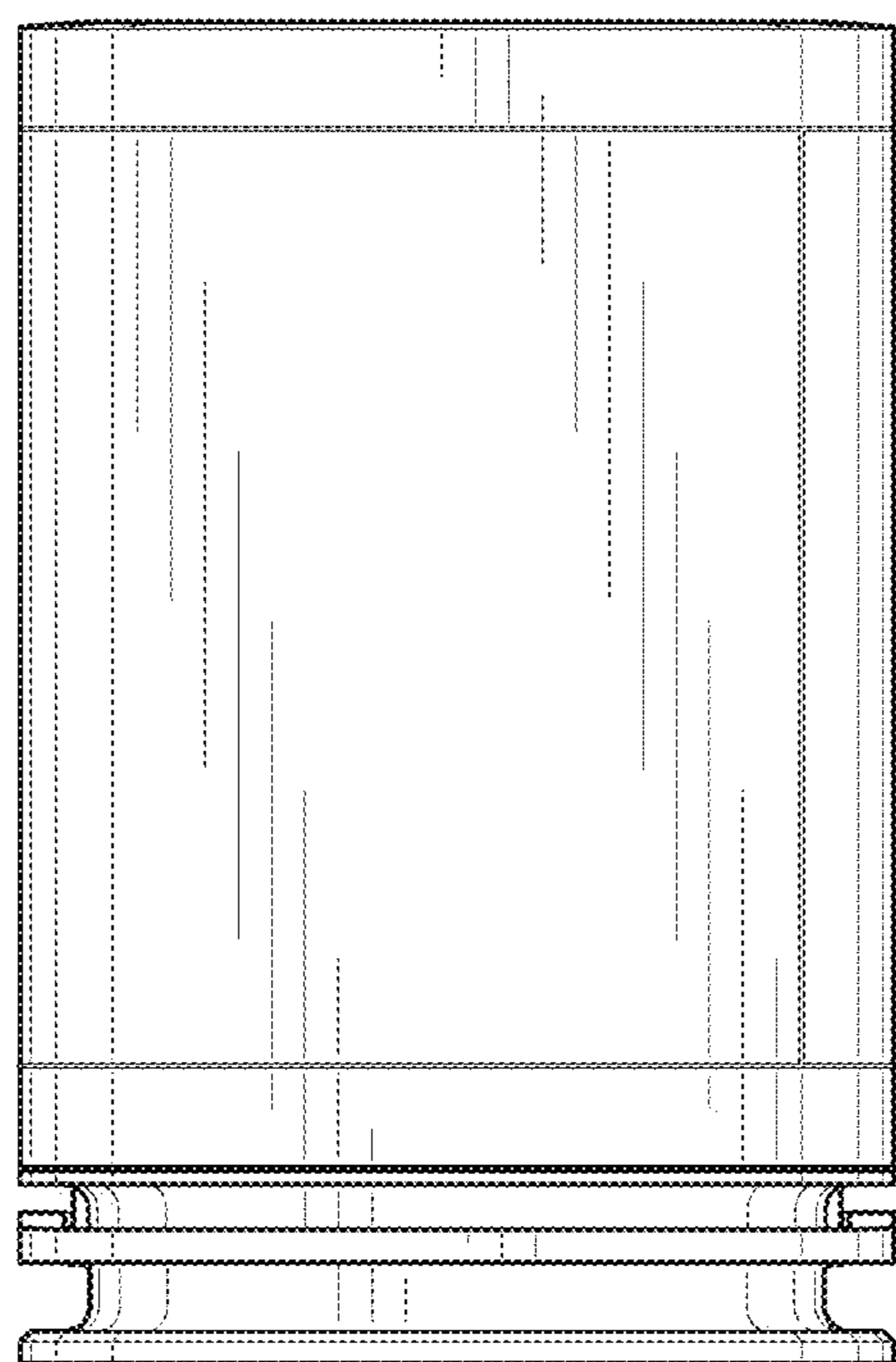
The broken lines shown in the drawings illustrate portions of the dustbin that form no part of the claimed design.

**1 Claim, 3 Drawing Sheets**

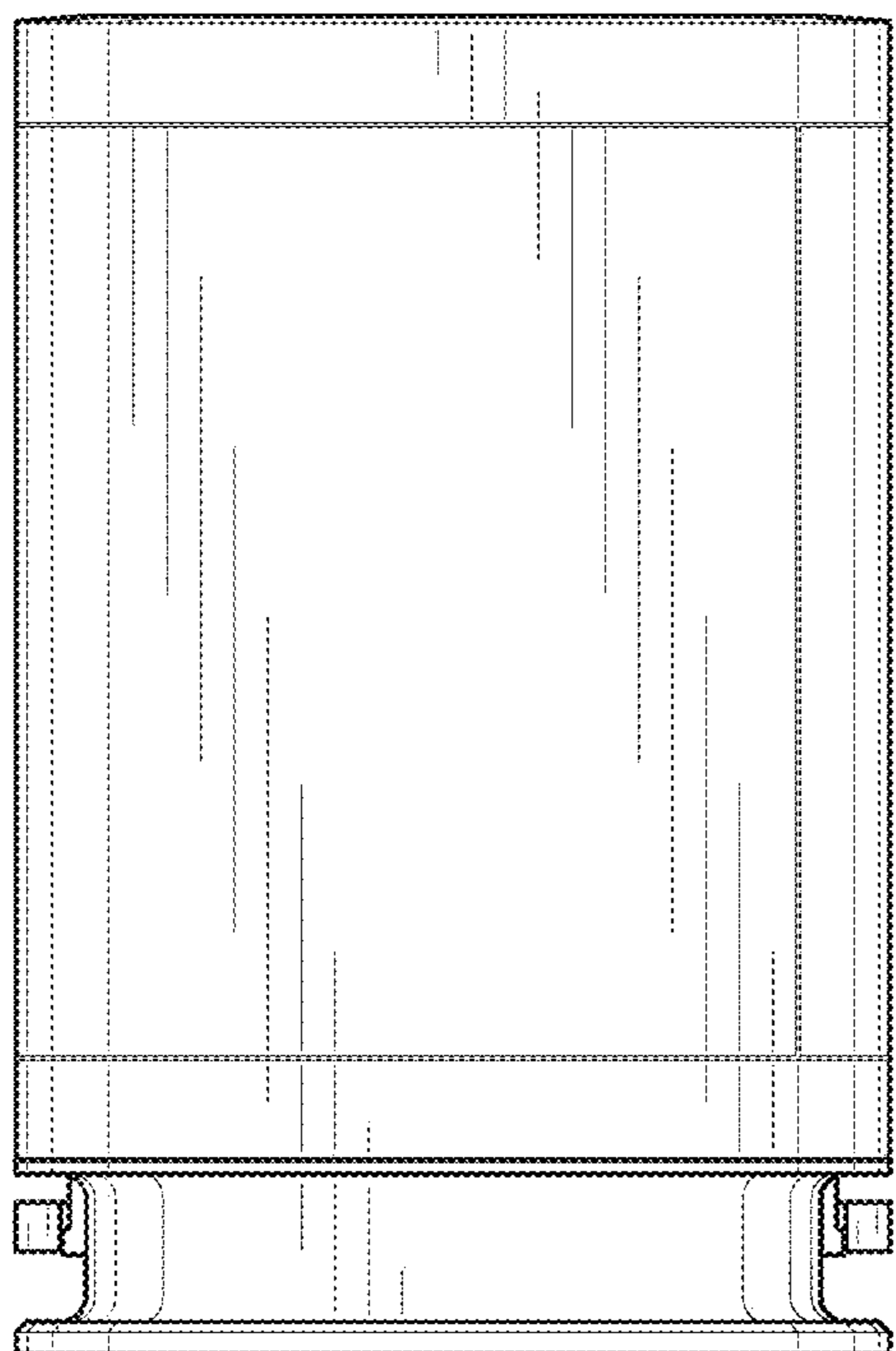




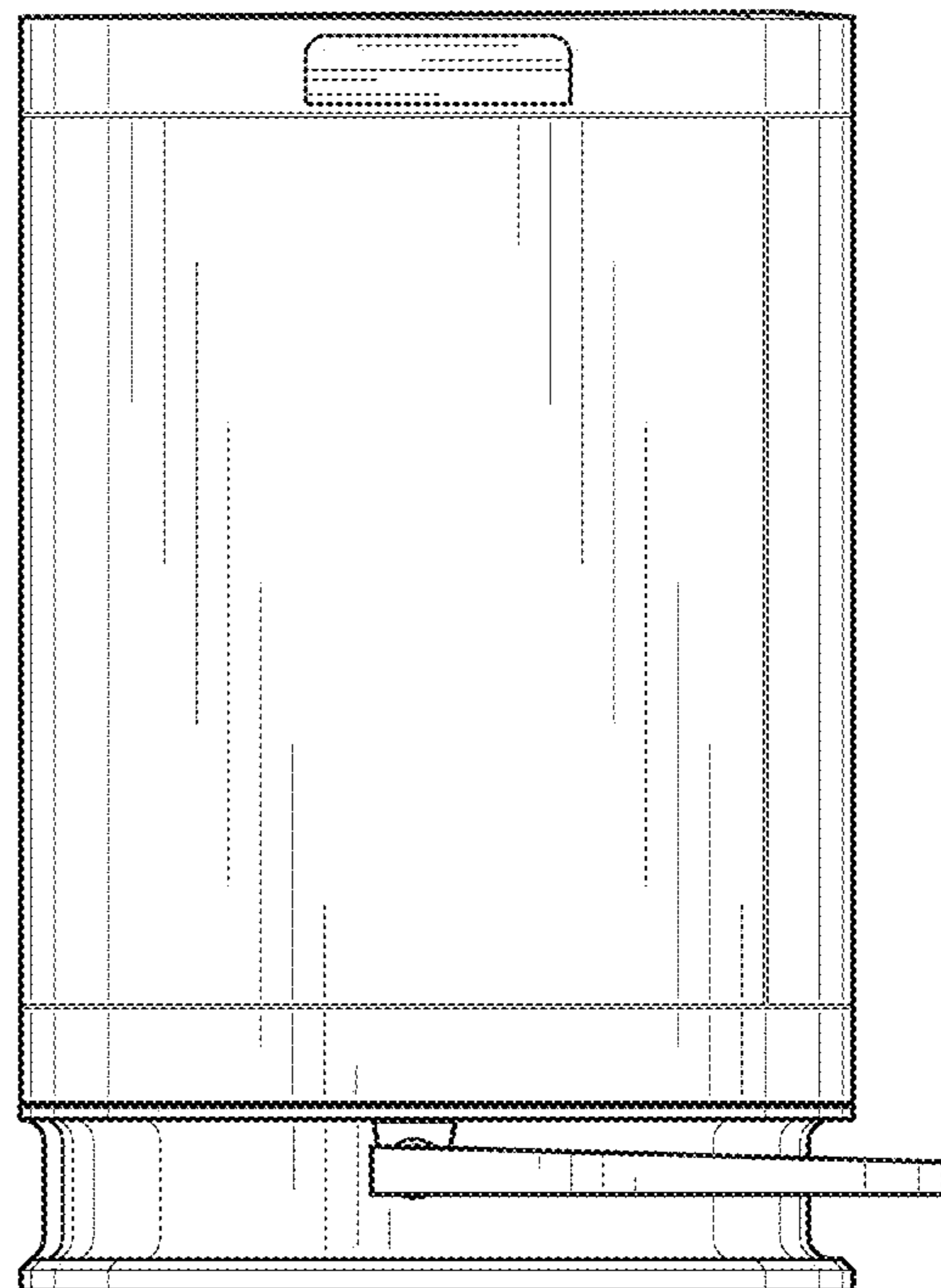
*FIG. 1*



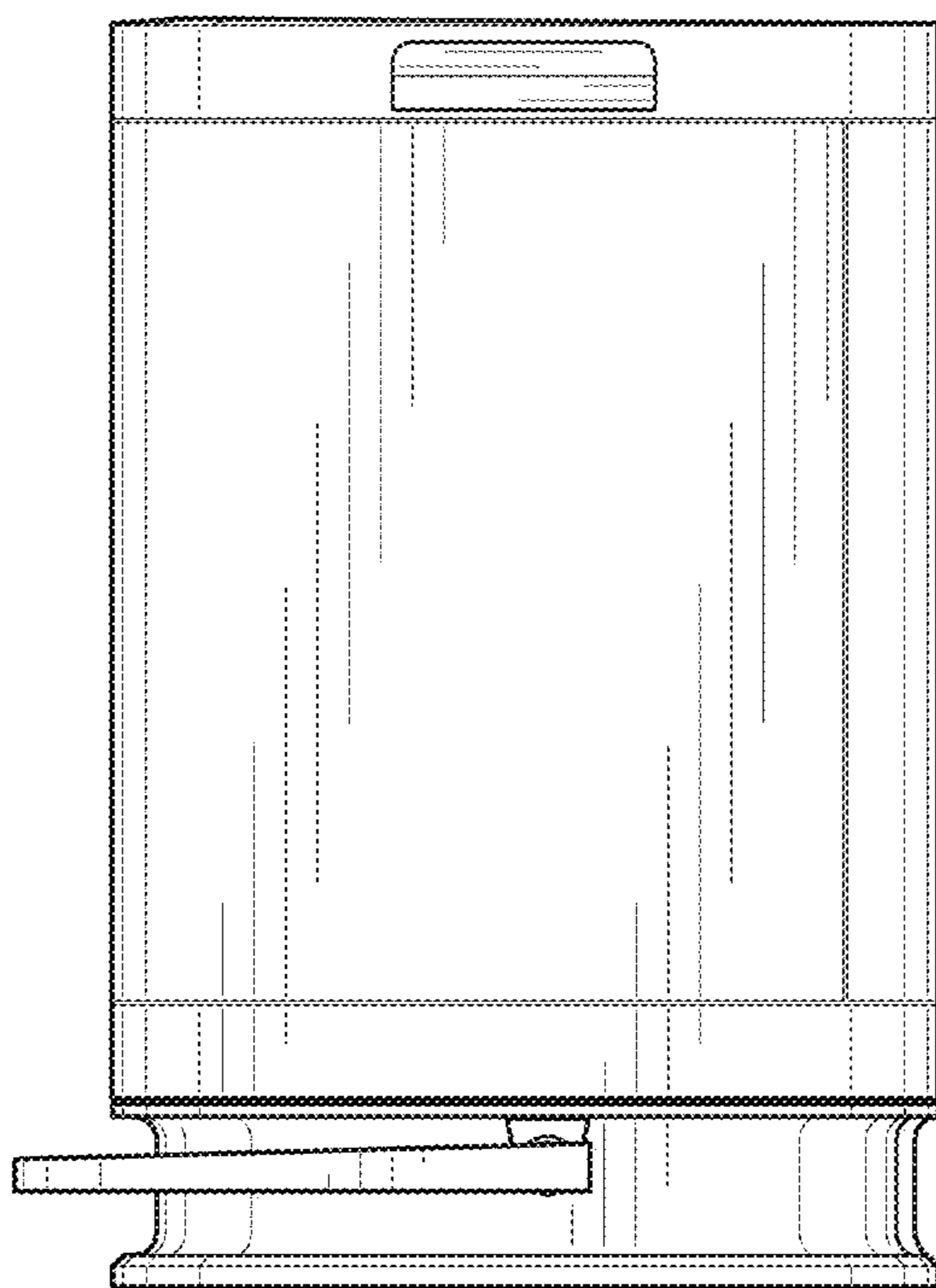
*FIG. 2*



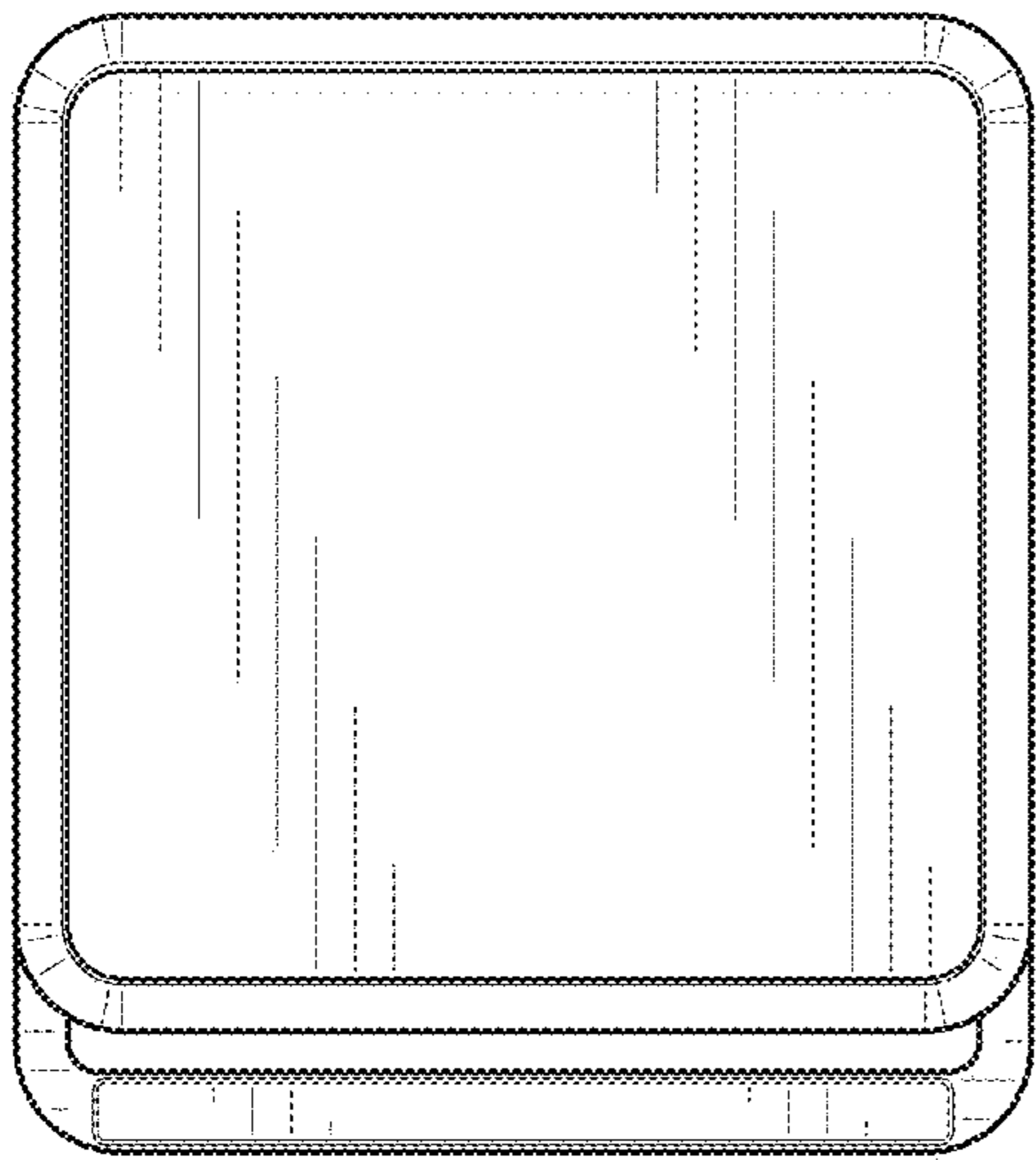
*FIG. 3*



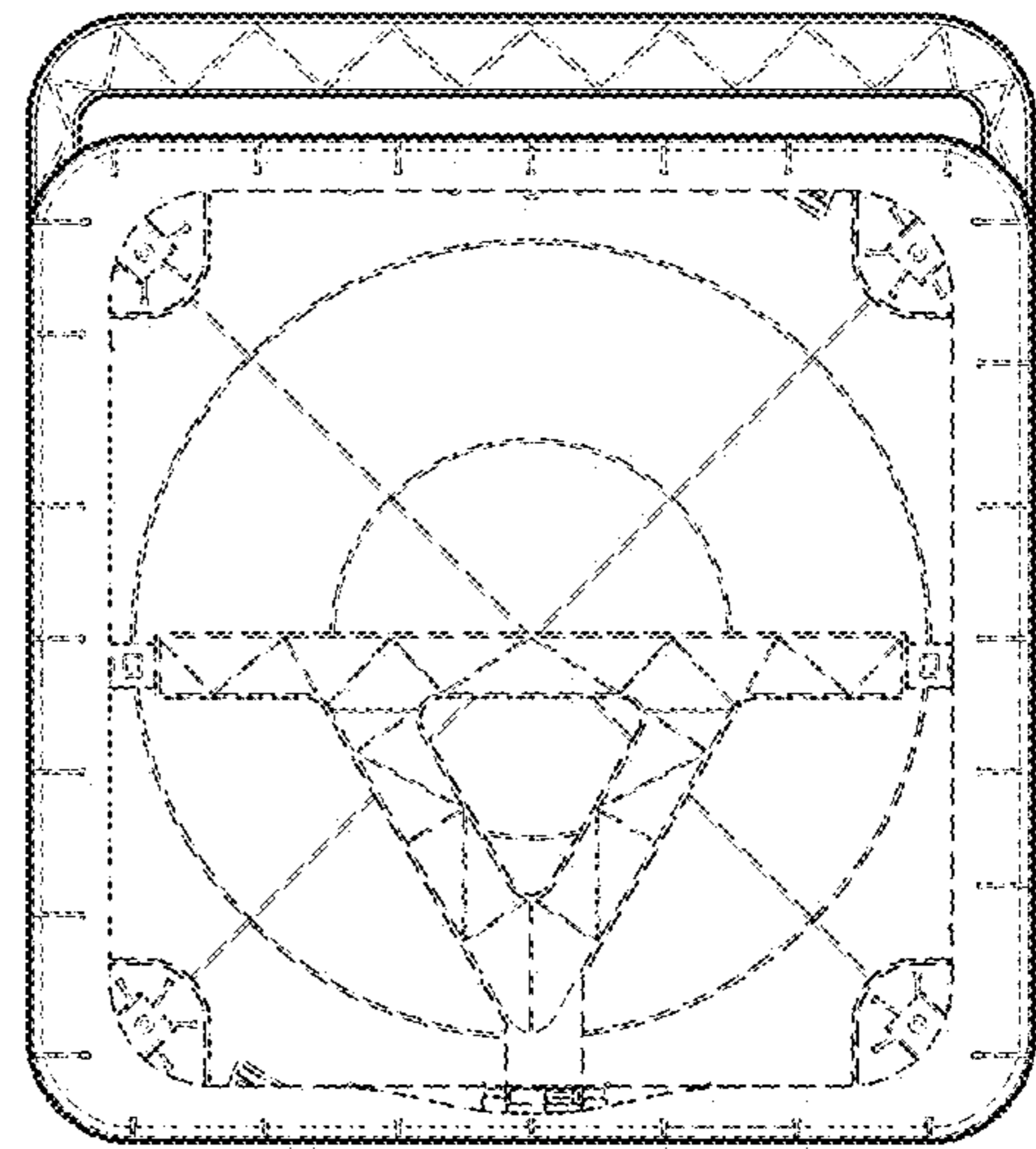
*FIG. 4*



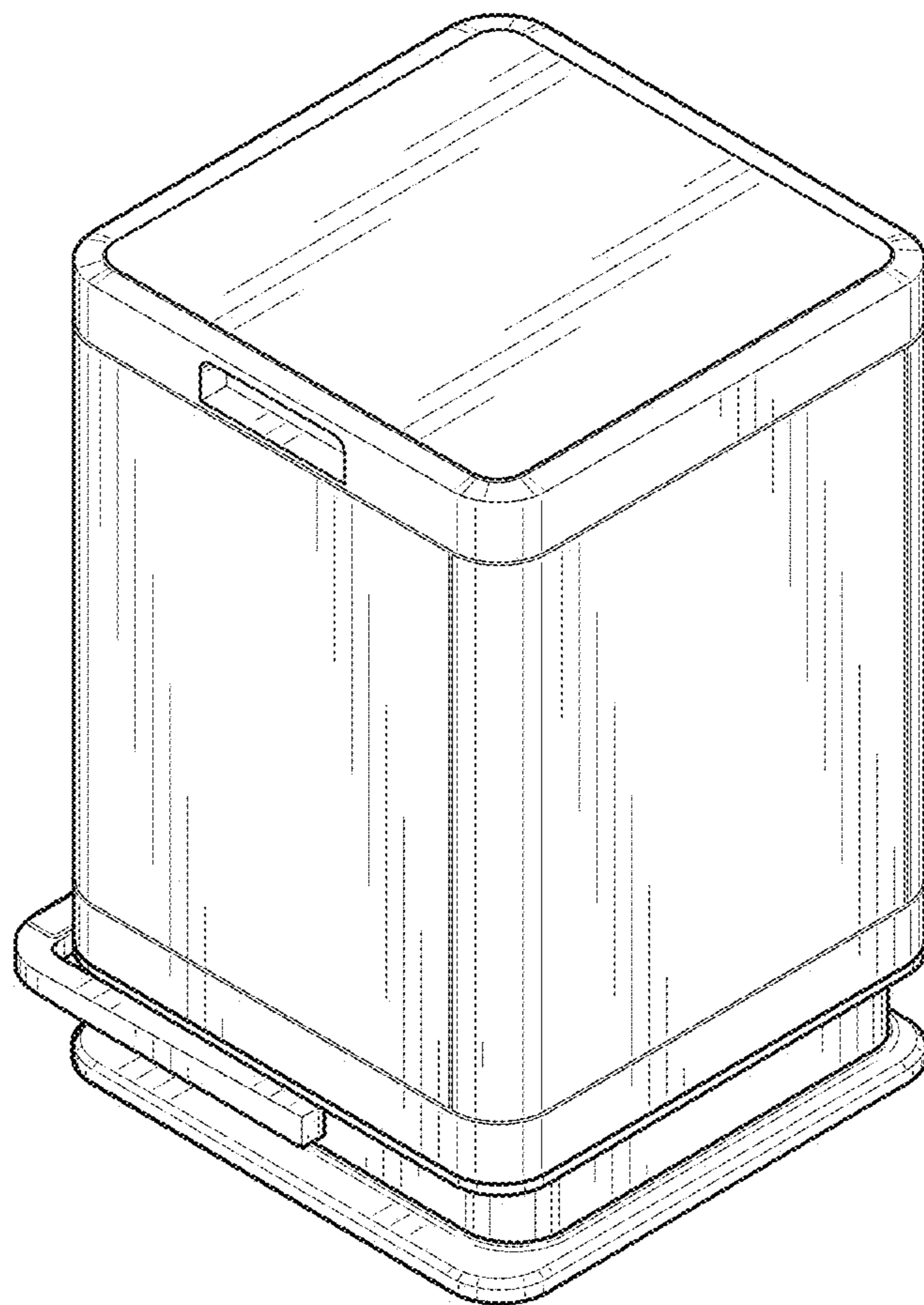
*FIG. 5*



*FIG. 6*



*FIG. 7*



*FIG. 8*