



US00D955679S

(12) **United States Design Patent** (10) **Patent No.:** **US D955,679 S**
Simonetti (45) **Date of Patent:** **** Jun. 21, 2022**

(54) **DUSTBIN**
(71) Applicant: **PLAST-MECCANICA SOCIETA' PER AZIONI**, Castelbellino (IT)
(72) Inventor: **Lorenzo Simonetti**, Jesi (IT)
(**) Term: **15 Years**

D323,048 S * 1/1992 Juul D34/1
D326,170 S * 5/1992 De Yoreo D34/1
D332,851 S * 1/1993 Long D34/1
D340,559 S * 10/1993 Taylor D34/1
D351,697 S * 10/1994 Blotnick D34/1
D937,439 S * 11/2021 Simonetti D6/671.1
2005/0016999 A1 * 1/2005 Richardson B65F 1/1615
220/4.28
2007/0138172 A1 * 6/2007 Richardson B65F 1/02
220/4.01

(21) Appl. No.: **29/765,363**

* cited by examiner

(22) Filed: **Jan. 7, 2021**

Primary Examiner — Cynthia Ramirez

(51) **LOC (13) Cl.** **09-09**

(74) *Attorney, Agent, or Firm* — Egbert, McDaniel & Swartz, PLLC

(52) **U.S. Cl.**
USPC **D34/7**

(58) **Field of Classification Search**
USPC D34/1, 5, 6, 7, 8, 9, 10, 11
CPC B65F 1/06; B65F 1/006; B65F 1/10; B65F 1/16; B65F 1/1607; B65F 1/67; B65F 1/02; B65F 1/14; B65F 1/062; B65F 1/014; B65F 1/163; B65F 1/1438; B65F 1/162; B65F 1/1623; B65F 1/004; B65F 1/1473; B65F 1/002; B65F 1/04; B65F 2240/138

(57) **CLAIM**

The ornamental design for a dustbin, as shown and described.

See application file for complete search history.

DESCRIPTION

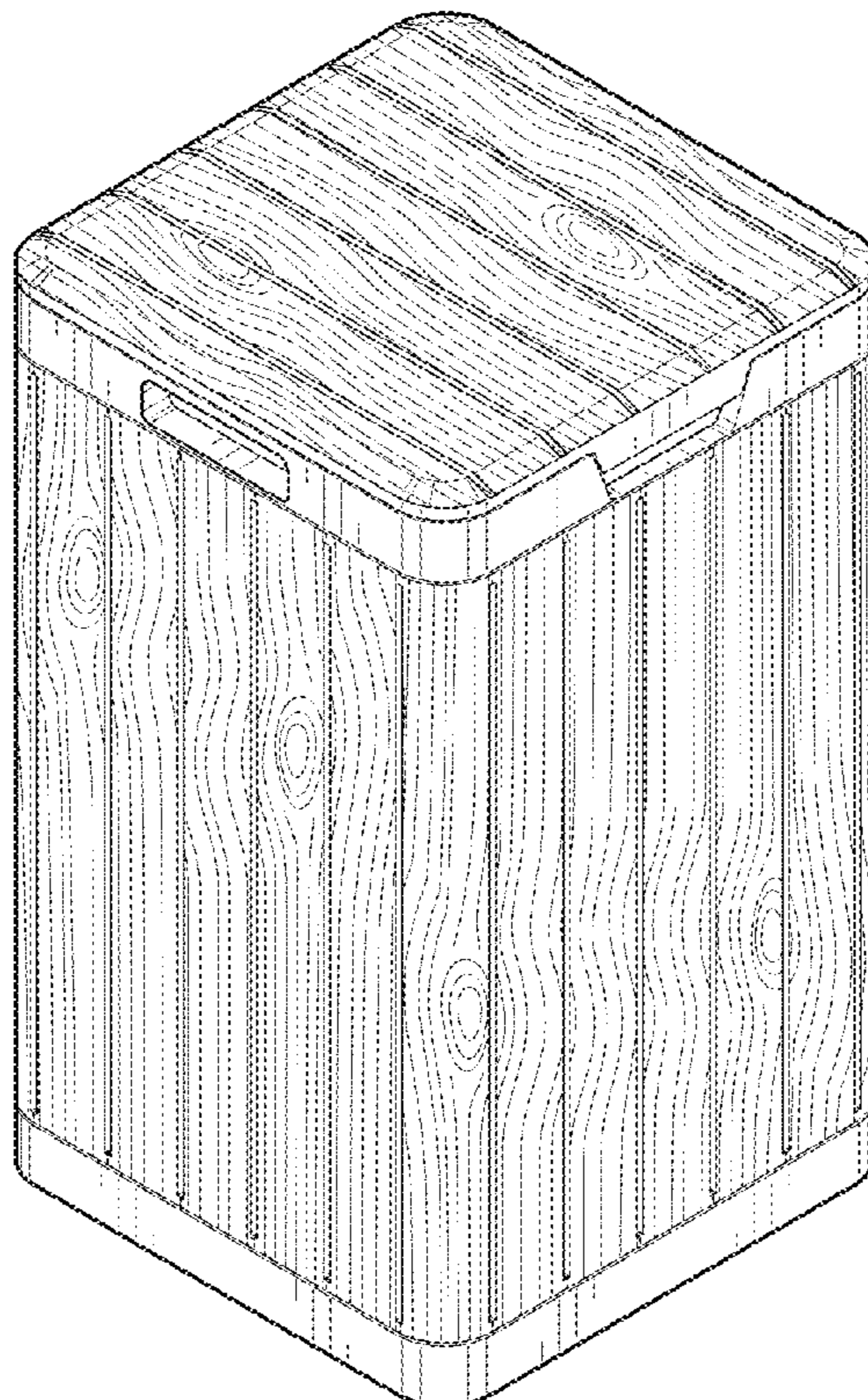
(56) **References Cited**

FIG. 1 is a front perspective view of a dustbin showing my new design.
FIG. 2 is a front view thereof;
FIG. 3 is a rear view thereof;
FIG. 4 is a side view thereof;
FIG. 5 is an opposite side view thereof;
FIG. 6 is a top view thereof;
FIG. 7 is a bottom view thereof; and,
FIG. 8 is a rear perspective view thereof.
The broken lines shown in the drawings illustrate portions of the dustbin that form no part of the claimed design.

U.S. PATENT DOCUMENTS

D247,087 S * 1/1978 Dickinson D34/4
D255,762 S * 7/1980 Lee D34/7
D263,365 S * 3/1982 Arato D34/1
D318,164 S * 7/1991 Marzocchi, Jr. D34/1

1 Claim, 3 Drawing Sheets



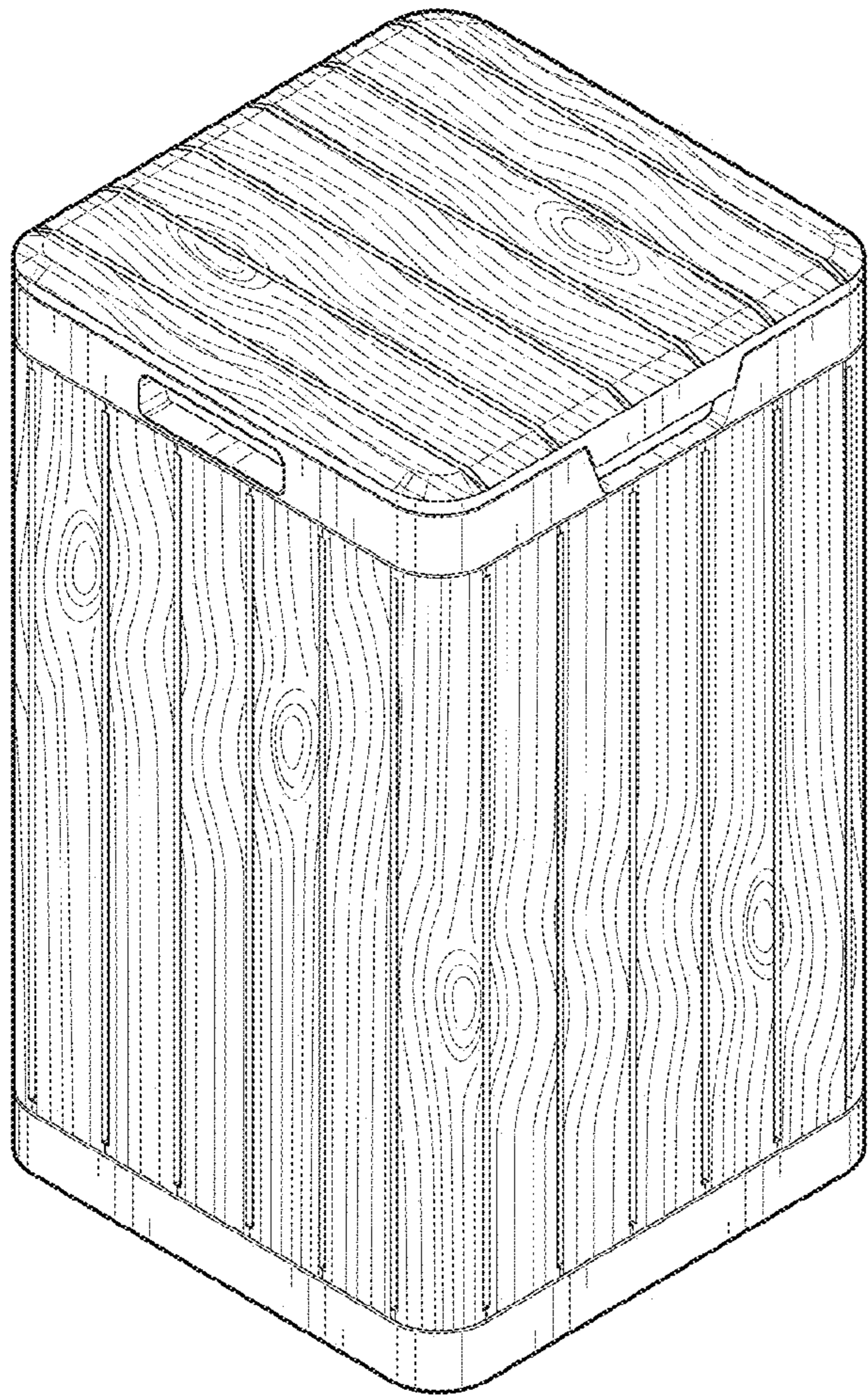


FIG. 1

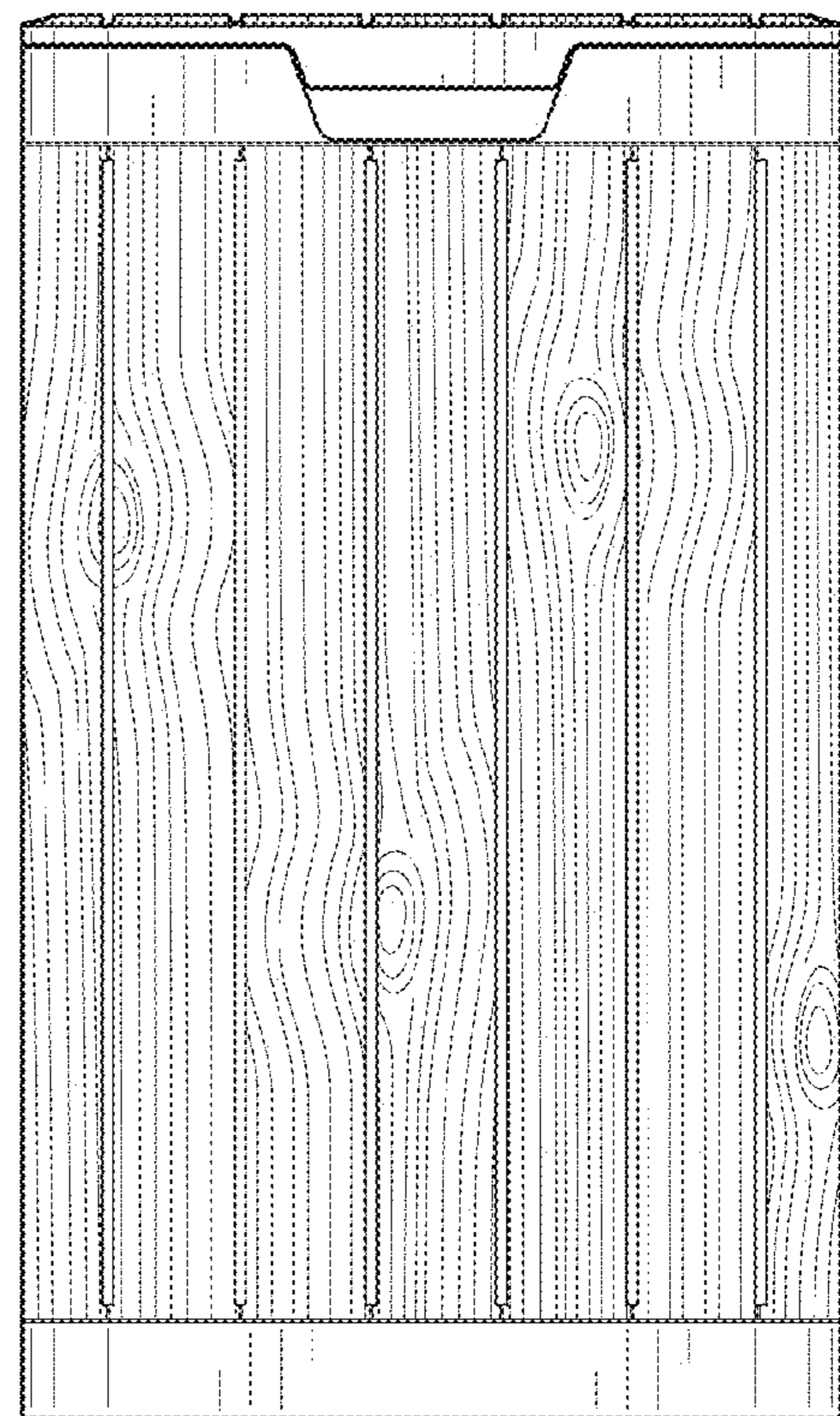


FIG. 2

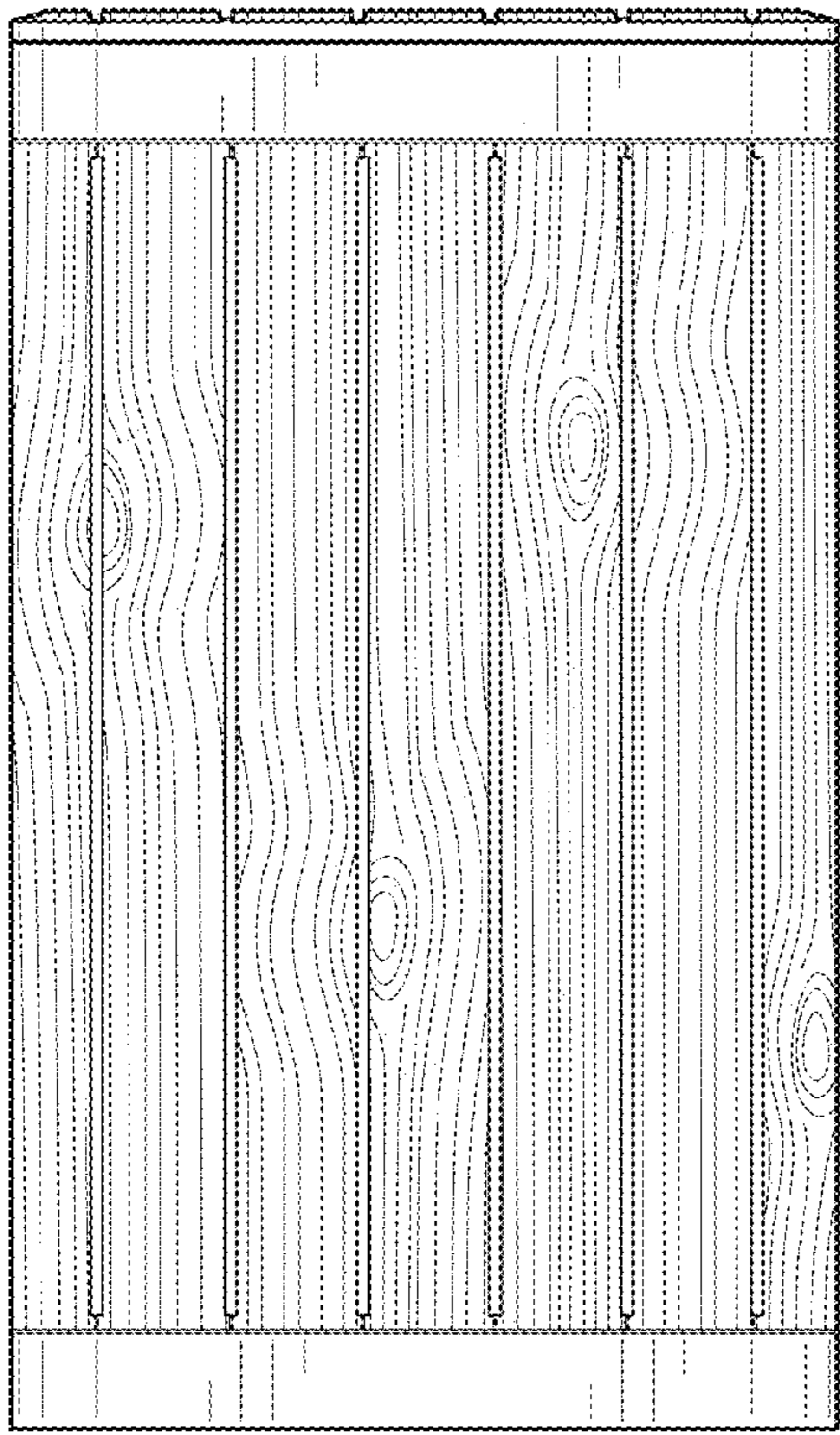


FIG. 3

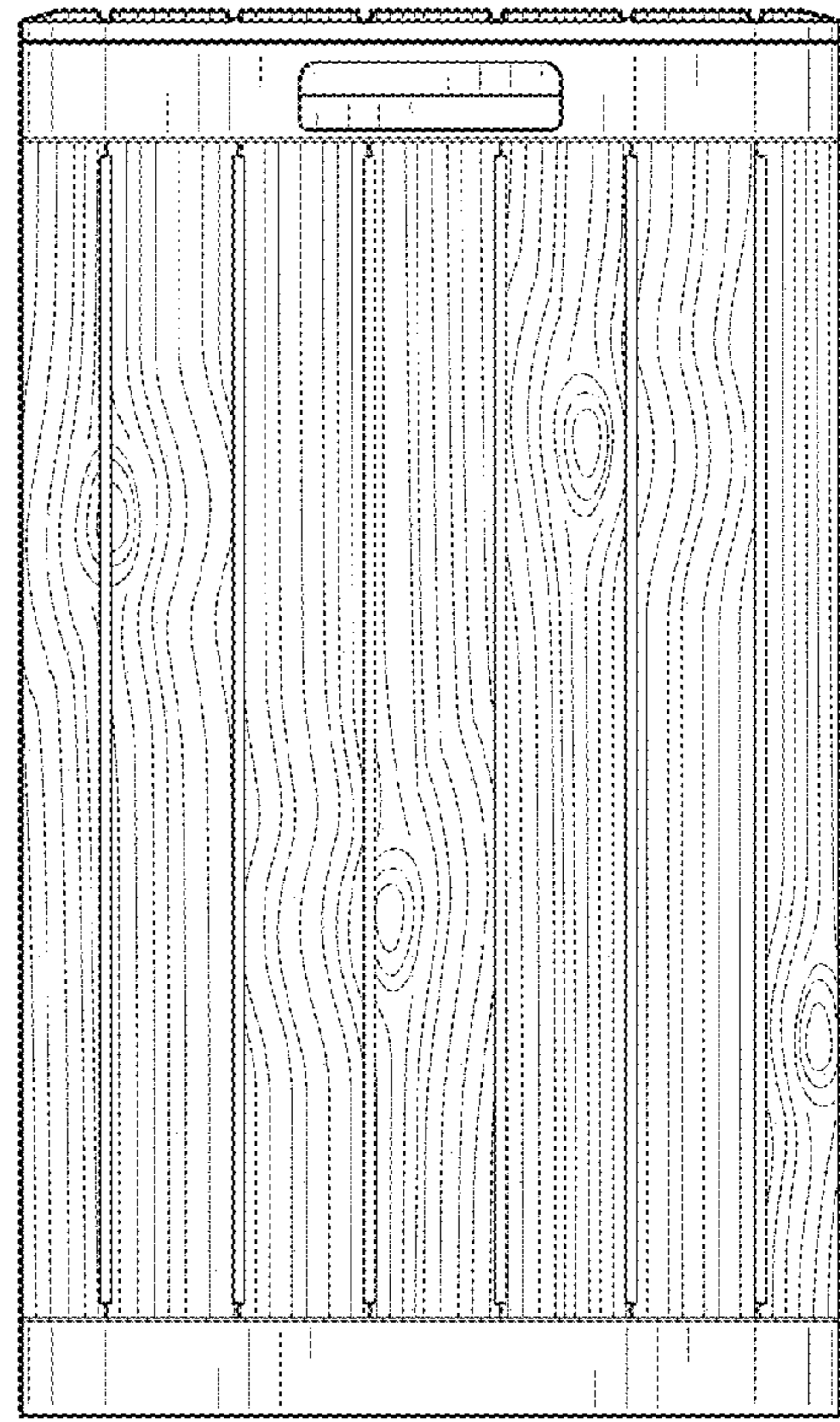


FIG. 4

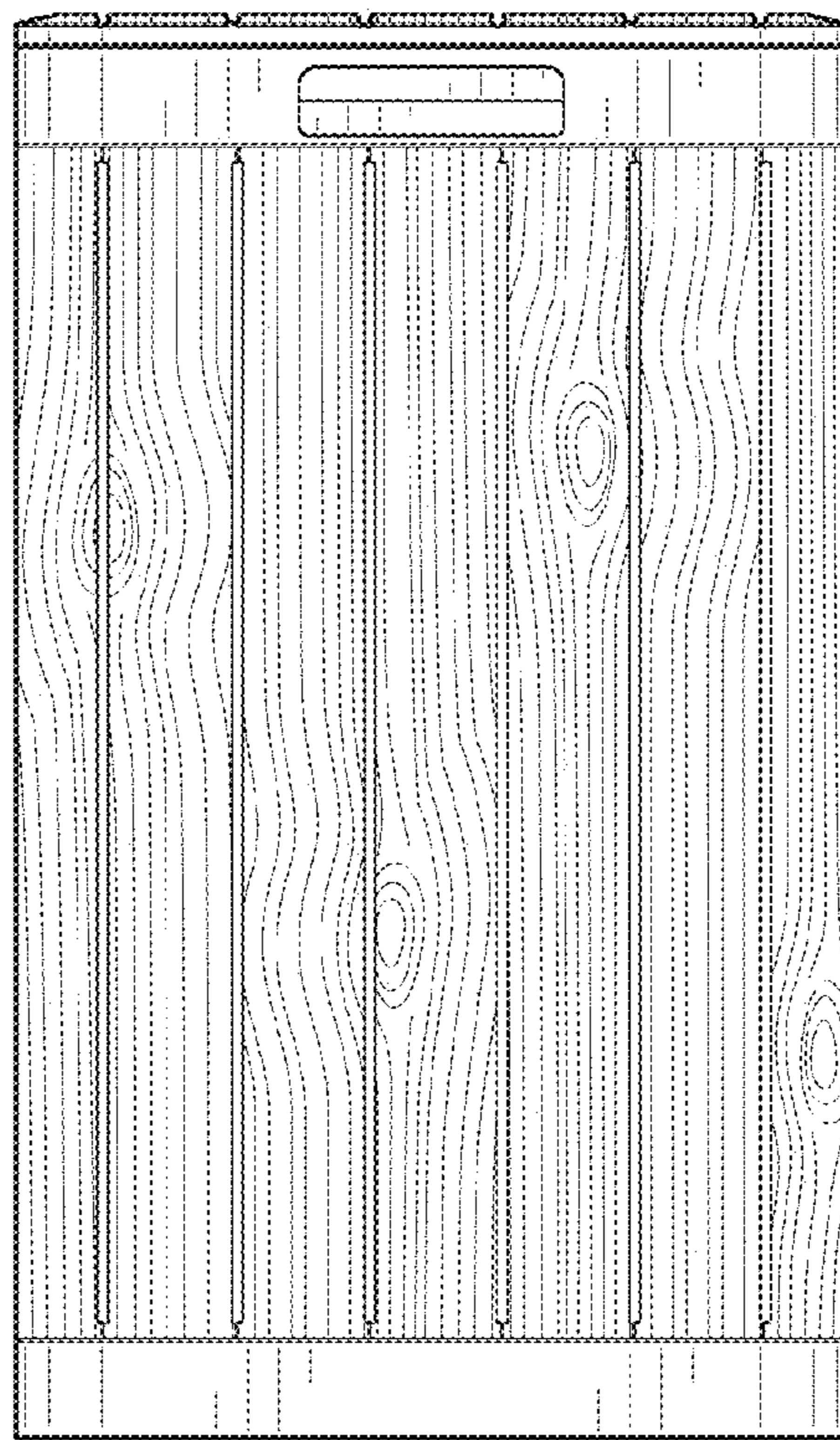


FIG. 5

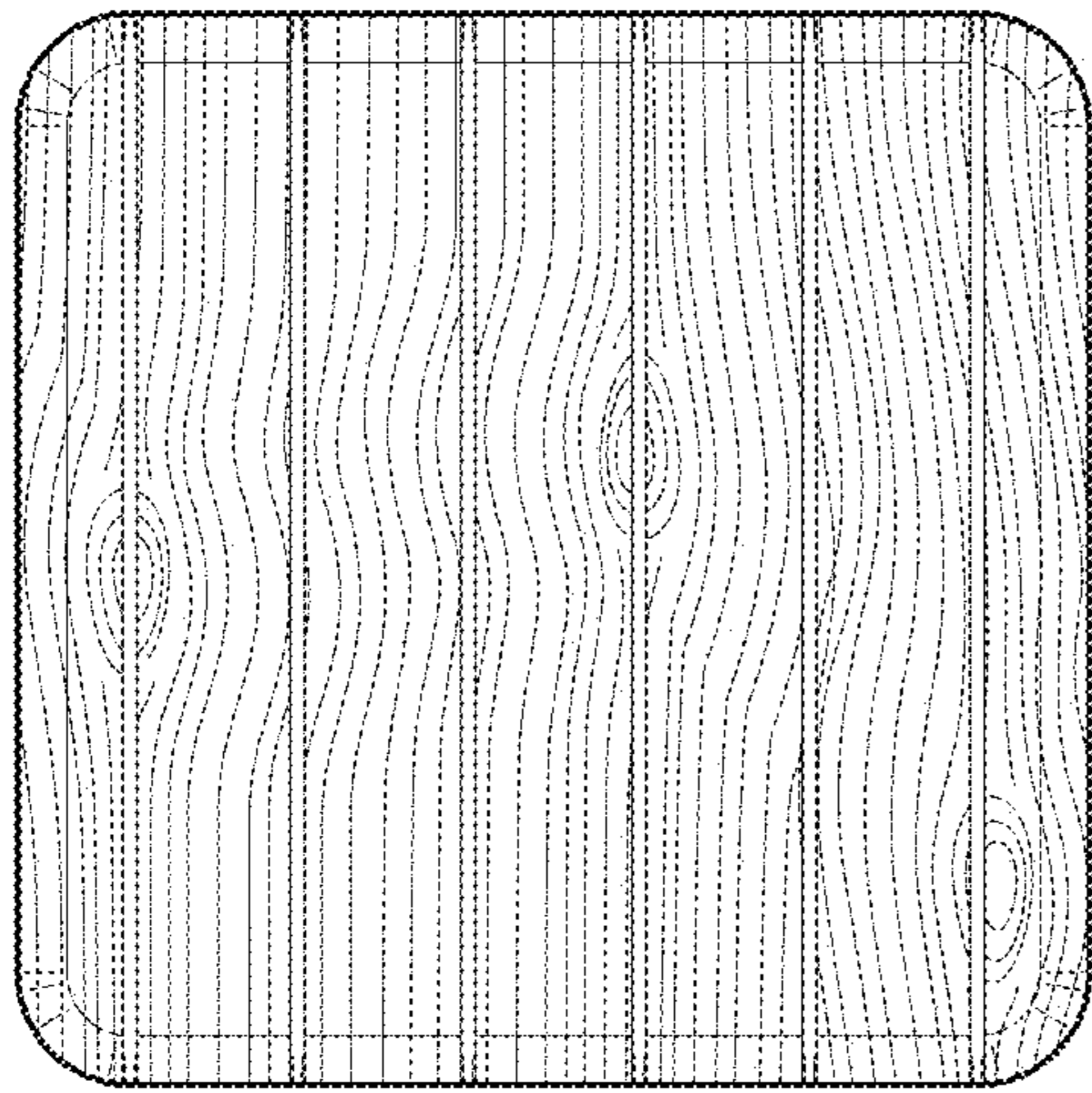


FIG. 6

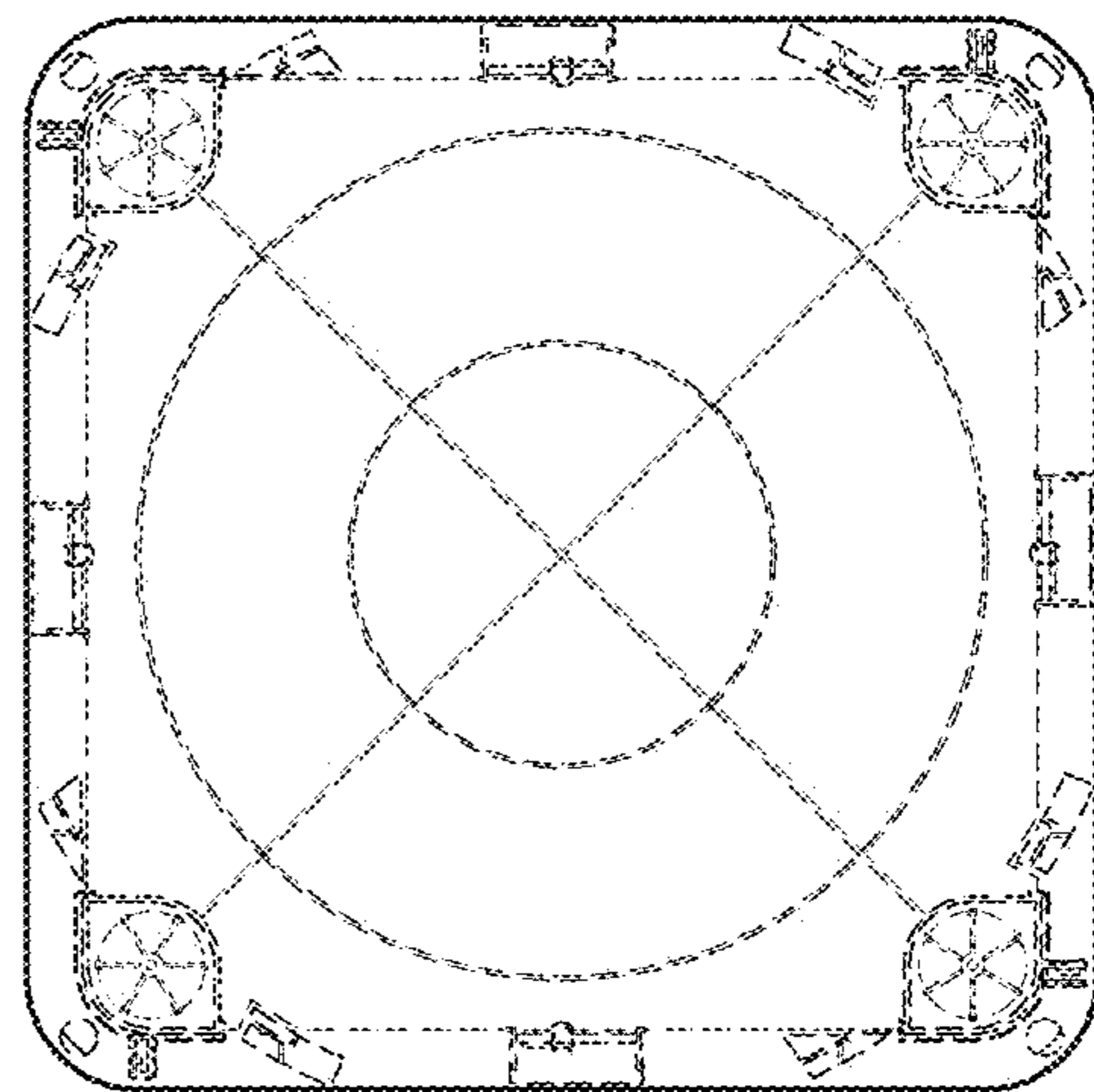


FIG. 7

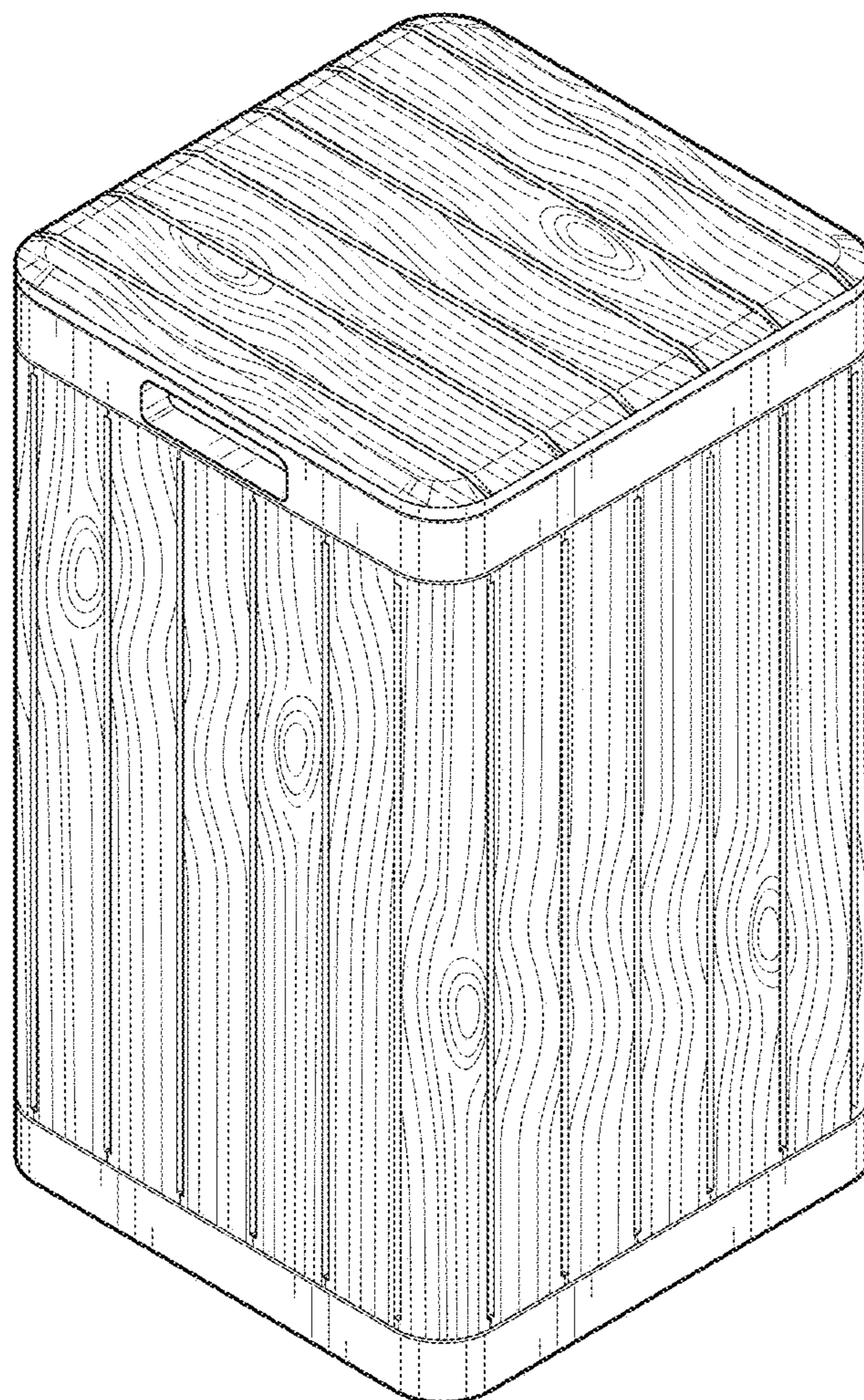


FIG. 8