



US00D955676S

(12) **United States Design Patent** (10) **Patent No.:** **US D955,676 S**  
**Choi et al.** (45) **Date of Patent:** **\*\* Jun. 21, 2022**

(54) **HAMPER**

FOREIGN PATENT DOCUMENTS

(71) Applicant: **LG ELECTRONICS INC.**, Seoul (KR)

WO WO D204802-001 \* 12/2019

(72) Inventors: **Hana Choi**, Seoul (KR); **Eunsil Mok**, Seoul (KR); **Jinsu Kim**, Seoul (KR); **Taewoo Yoo**, Seoul (KR); **Yousook Eun**, Seoul (KR); **Soonho Jung**, Seoul (KR)

OTHER PUBLICATIONS

Narwal Brings Its Robot Vacuum, Jun. 2, 2021, [online], [site visited Oct. 4, 2021]. Retrieved from url:https://techcrunch.com/2019/01/10/is-samsung-getting-serious-about-robotics/ (Year: 2021).\*

(Continued)

(73) Assignee: **LG ELECTRONICS INC.**, Seoul (KR)

*Primary Examiner* — Tracey J Bell

(\*\*) Term: **15 Years**

(74) *Attorney, Agent, or Firm* — Birch, Stewart, Kolasch & Birch, LLP

(21) Appl. No.: **35/509,800**

(57) **CLAIM**

(22) Filed: **Feb. 20, 2019**

The ornamental design for a hamper, as shown and described.

(80) **Hague Agreement Data**

**DESCRIPTION**

Int. Filing Date: **Feb. 20, 2019**

Int. Reg. No.: **DM/209040**

Int. Reg. Date: **Feb. 20, 2019**

Int. Reg. Pub. Date: **Jul. 17, 2020**

(51) **LOC (13) Cl.** ..... **23-99**

(52) **U.S. Cl.**

USPC ..... **D34/1**

(58) **Field of Classification Search**

USPC ..... D34/1, 7; D32/21, 25, 31, 35, 37, 53, D32/19, 20, 23, 29, 30; D7/605, 608; D9/779; D15/199

CPC ..... D06F 95/002; B62B 2202/66; B65F 2230/116; A47L 2201/00; A47L 2201/02; A47L 2201/022; A47L 2201/024; A47L 2201/026

See application file for complete search history.

1. Hamper

1.1 : Perspective

1.2 : Front

1.3 : Back

1.4 : Left

1.5 : Right

1.6 : Top

1.7 : Bottom

1.8 : Perspective view showing the hamper with the door in a partially open position. The broken line showing of a robot depicts environmental subject matter which forms no part of the claimed design.

1.9 : Perspective view showing the hamper with the door in a fully open position. The broken line showing of a robot depicts environmental subject matter which forms no part of the claimed design.

The broken lines depict environmental subject matter and portions of the hamper that form no part of the claimed design.

(56) **References Cited**

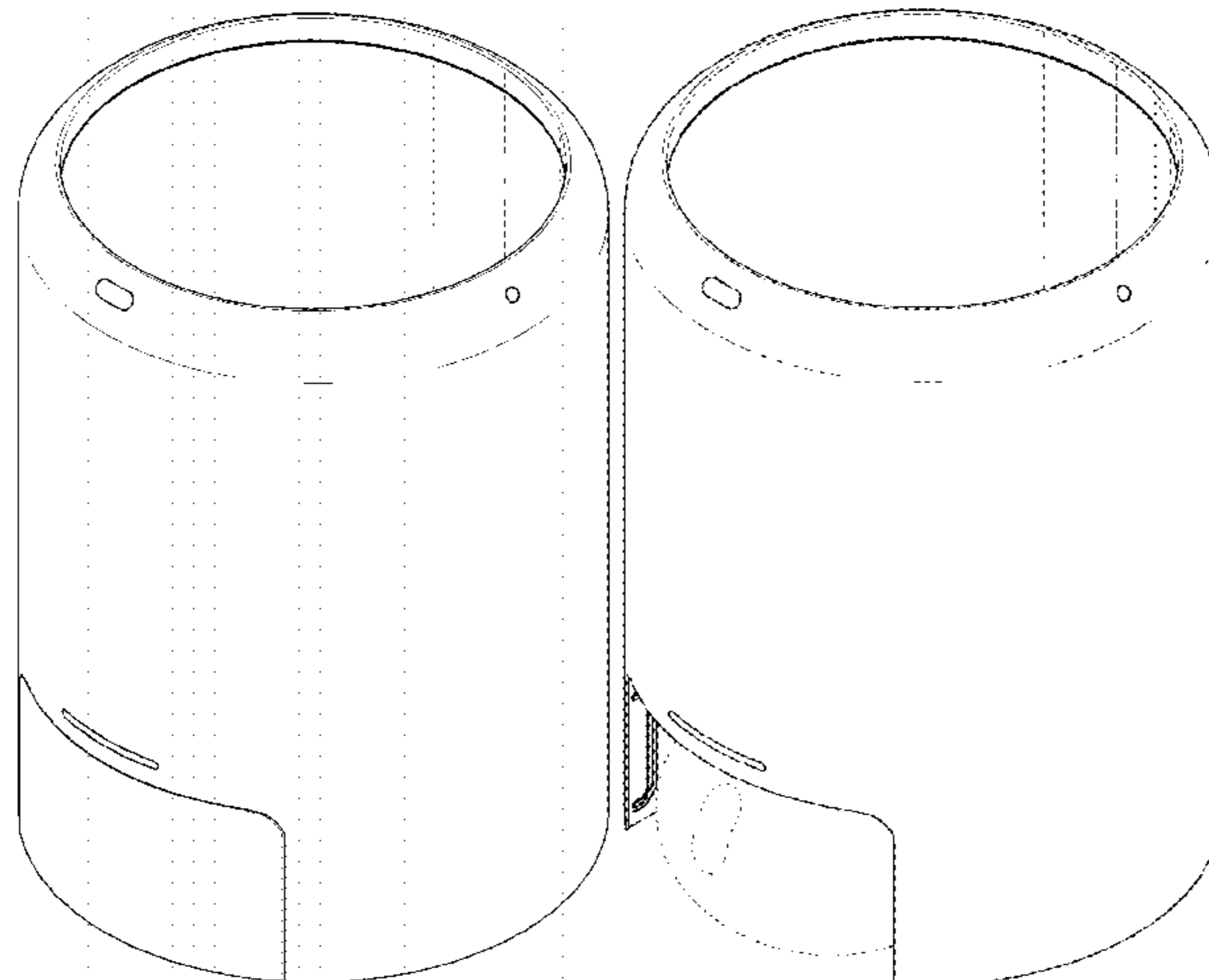
U.S. PATENT DOCUMENTS

D318,351 S \* 7/1991 Wilson ..... D34/5

D324,281 S \* 2/1992 Brusing ..... D34/1

(Continued)

**1 Claim, 9 Drawing Sheets**



(56)

**References Cited**

U.S. PATENT DOCUMENTS

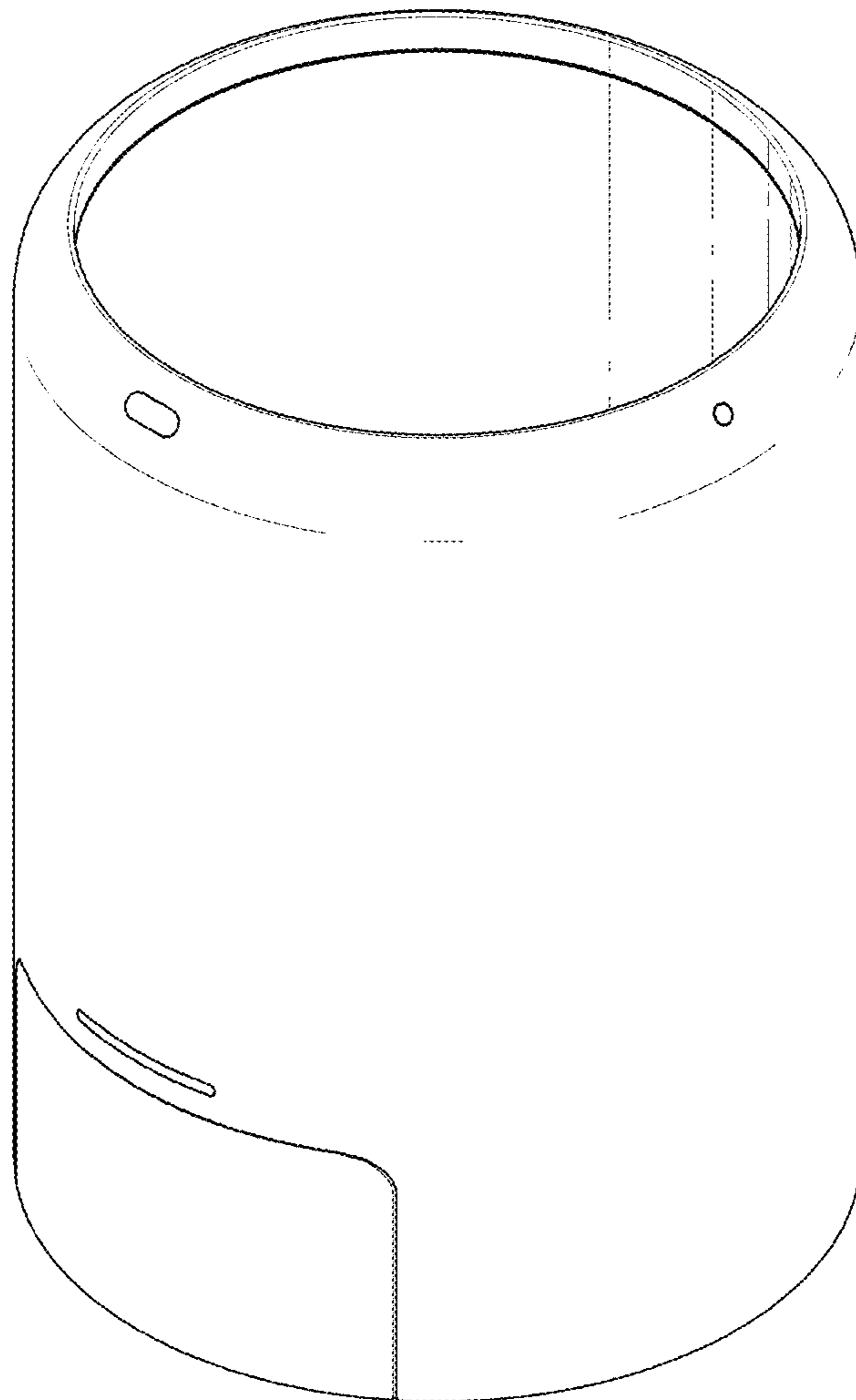
5,195,501 A \* 3/1993 Ault ..... F23G 5/42  
110/241  
D434,610 S \* 12/2000 Mount ..... D7/608  
D442,995 S \* 5/2001 Niiyama ..... D20/10  
D488,899 S \* 4/2004 Divoll ..... D34/1  
D620,762 S \* 8/2010 Tolle ..... D7/605  
D739,632 S \* 9/2015 Senser ..... D34/1  
D770,234 S \* 11/2016 Wassenius ..... D7/605  
D869,533 S \* 12/2019 Kim ..... D15/199  
D889,912 S \* 7/2020 Laukala ..... D7/608  
D921,061 S \* 6/2021 Kim ..... F25D 25/025  
D15/79  
D923,774 S \* 6/2021 Kim ..... D23/382  
2020/0077858 A1 \* 3/2020 Zhang ..... A47L 11/4044  
2020/0359868 A1 \* 11/2020 Bo ..... A47L 9/0477

OTHER PUBLICATIONS

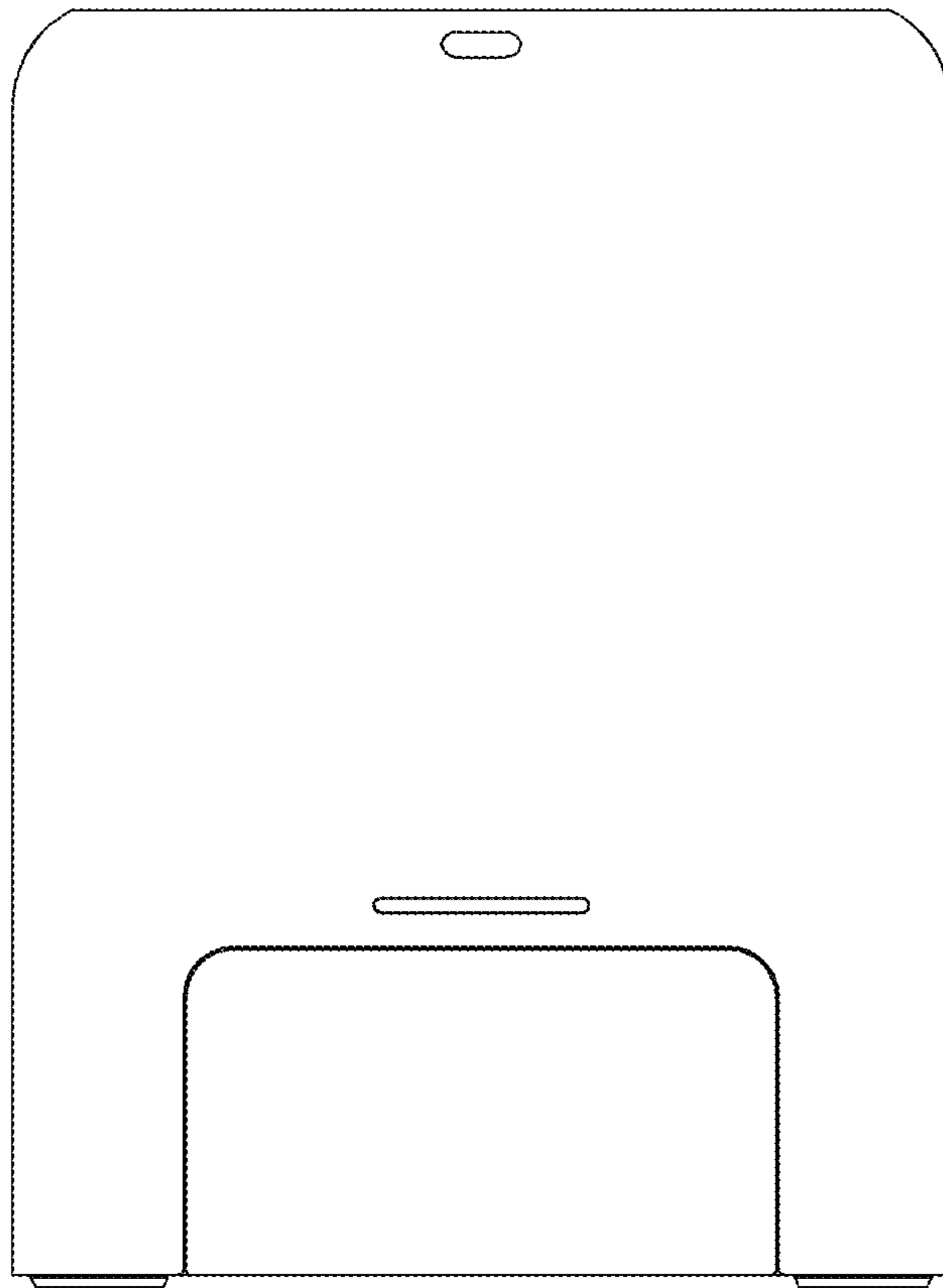
Boston Building Resources, May 5, 2014, [online], [site visited Oct. 4, 2021]. Retrieved from url:<https://www.bostonbuildingresources.com/advice/which-home-compost-bin-is-the-best-choice> (Year: 2014).\*

\* cited by examiner

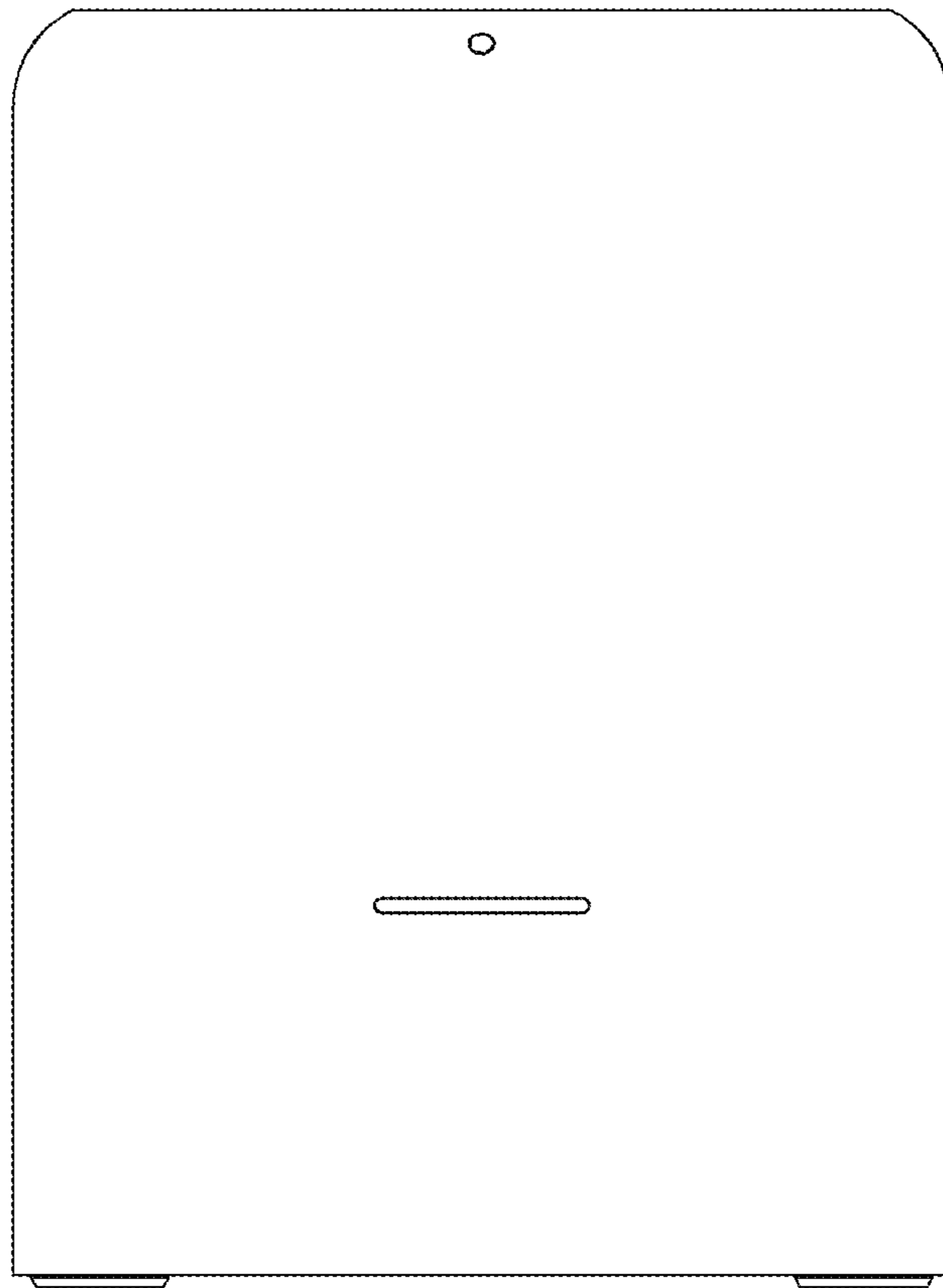
1.1



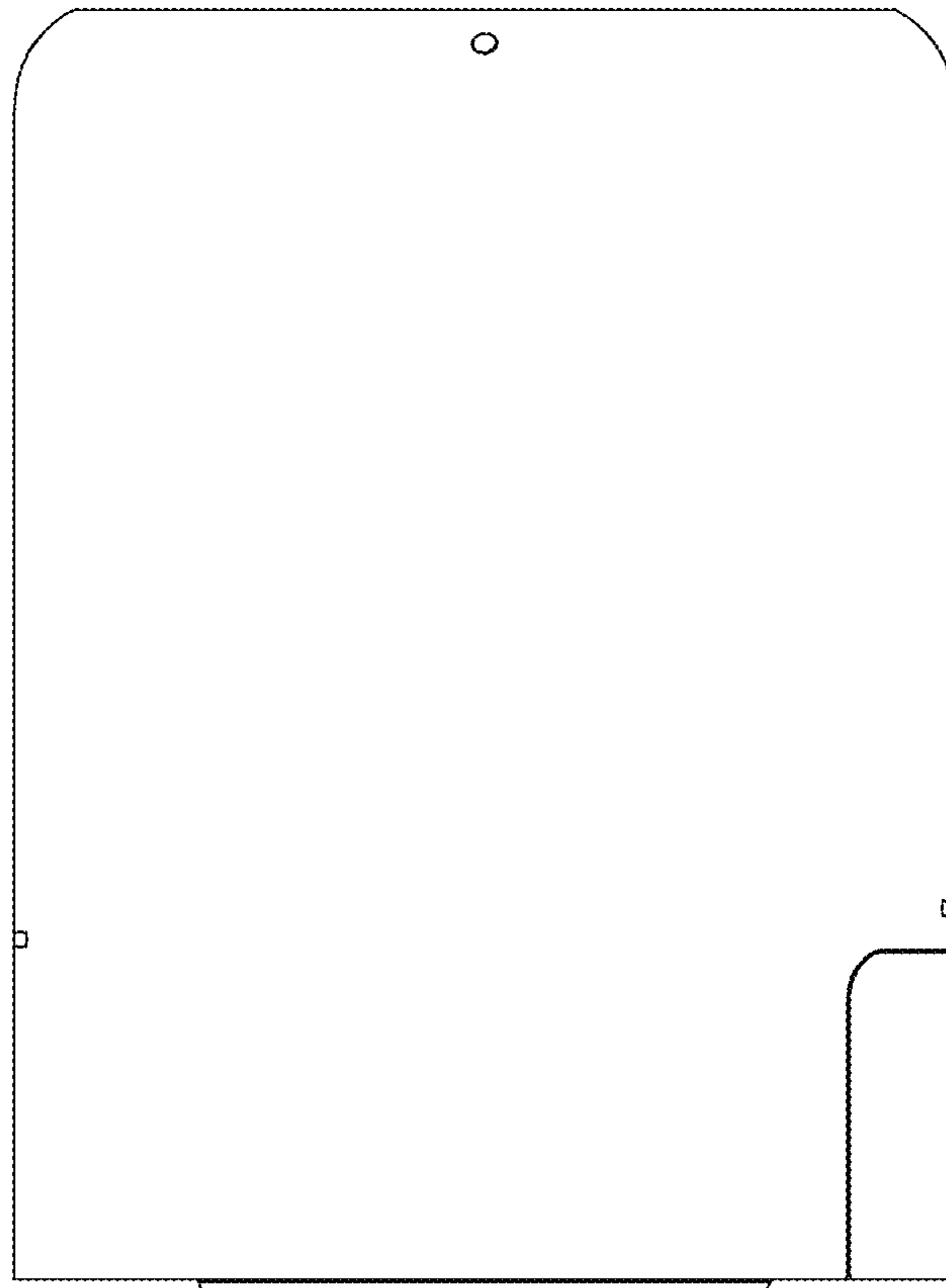
1.2



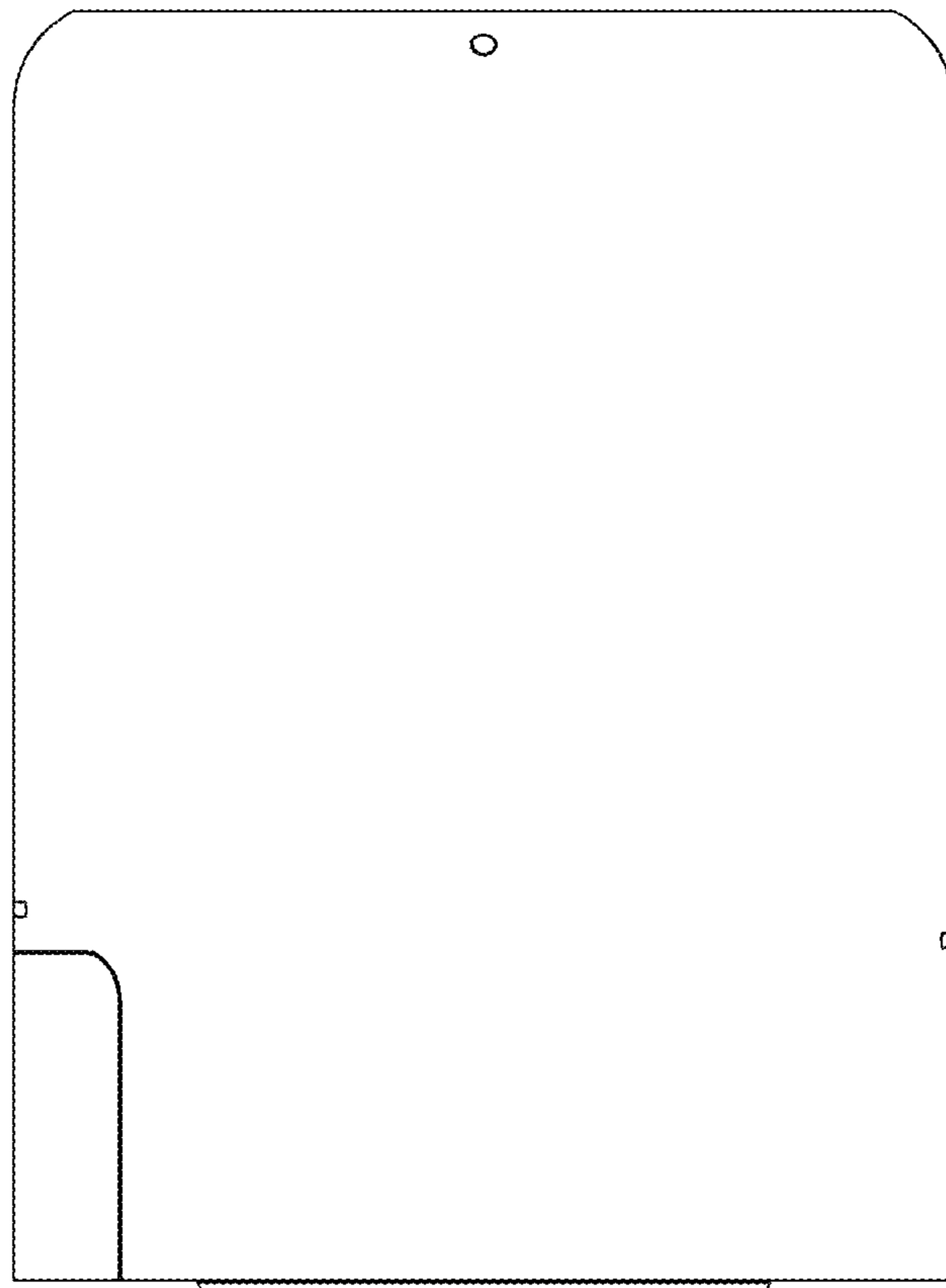
1.3



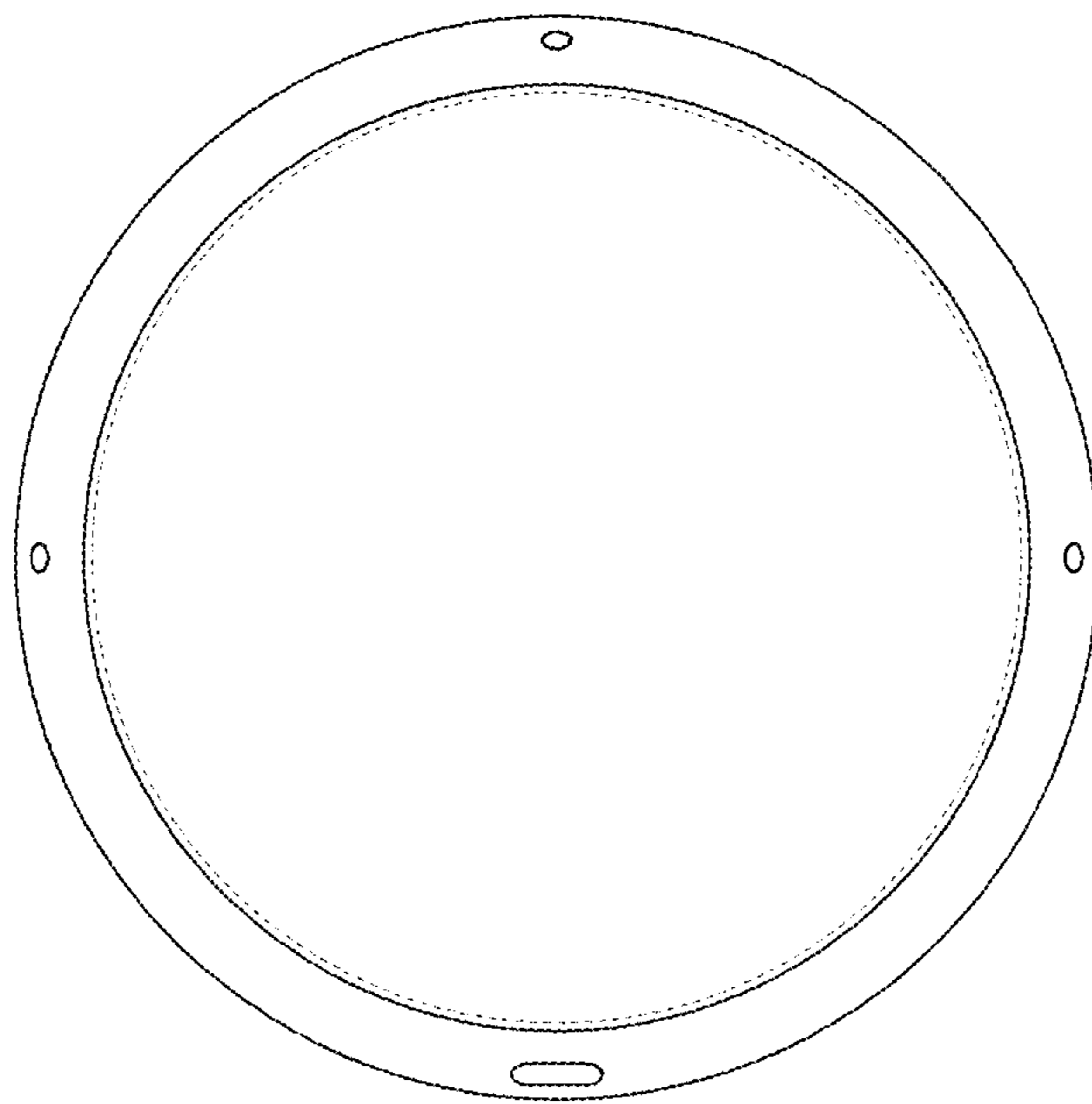
1.4



1.5

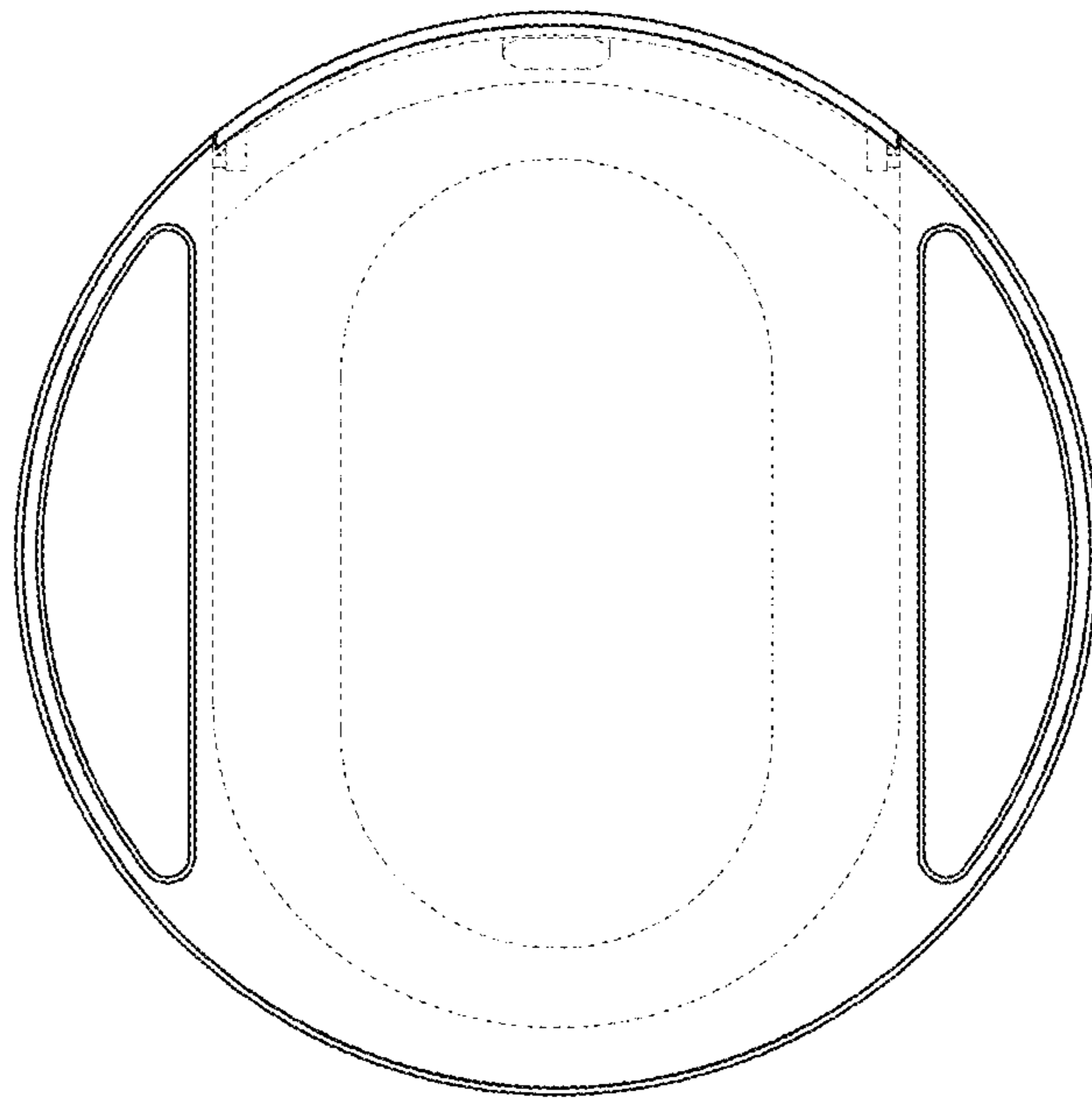


1.6

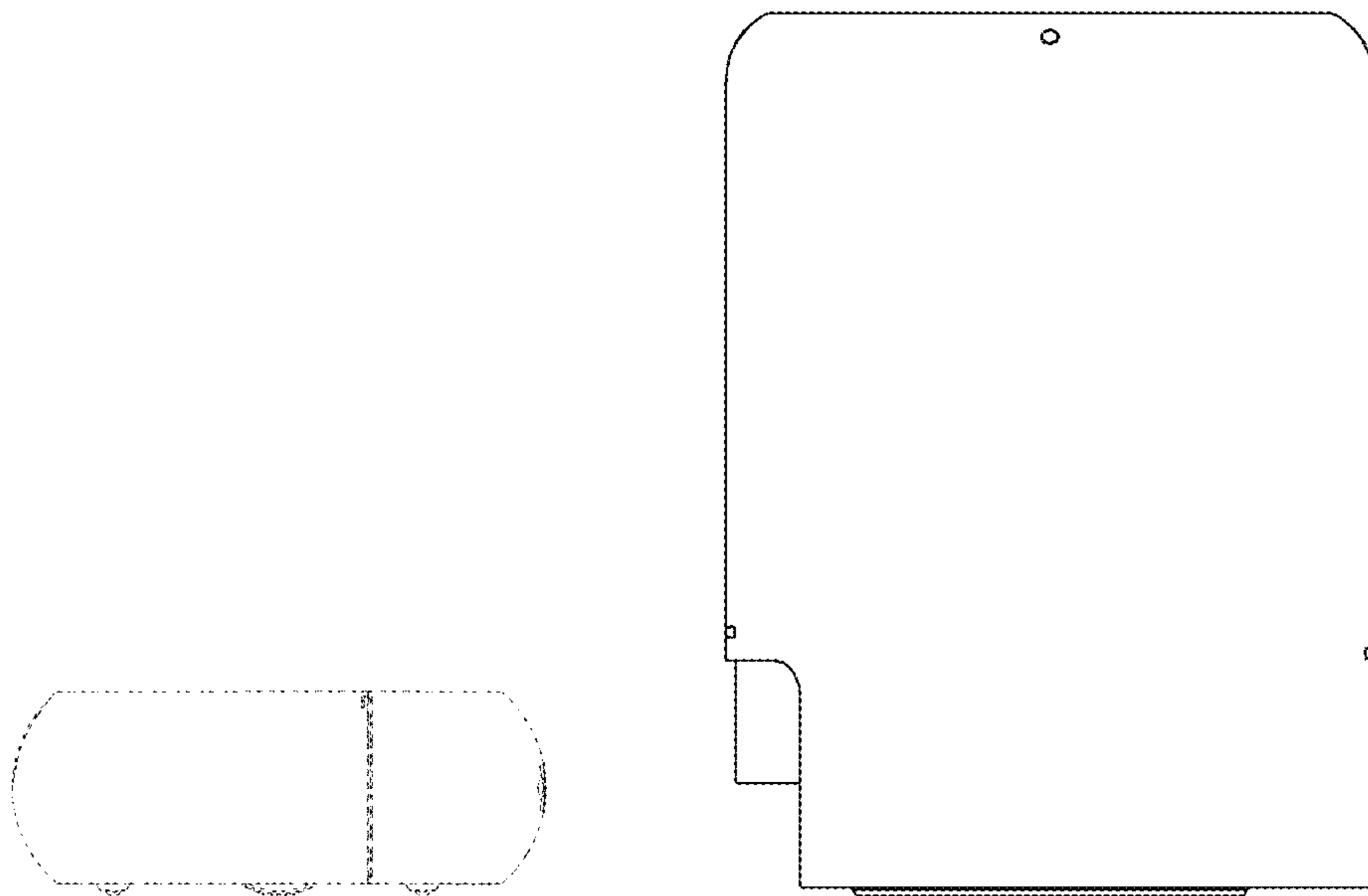




1.7



1.8



1.9

