



US00D955675S

(12) **United States Design Patent**
Chen

(10) **Patent No.:** **US D955,675 S**

(45) **Date of Patent:** **** Jun. 21, 2022**

(54) **ELECTRIC BROOM**

(71) Applicant: **Shaowei Chen**, Puning (CN)

(72) Inventor: **Shaowei Chen**, Puning (CN)

(**) Term: **15 Years**

(21) Appl. No.: **29/767,187**

(22) Filed: **Jan. 21, 2021**

(51) **LOC (13) Cl.** **15-05**

(52) **U.S. Cl.**
USPC **D32/50**

(58) **Field of Classification Search**
USPC D32/15, 22, 25, 34, 38, 43-44, 49-52;
D4/100, 102, 115, 132, 138; D8/80;
D22/142
CPC A46B 2200/302; A46B 15/0053; A47L
13/20; A47L 13/258; A47L 13/44; A47L
5/24; A47L 7/0014; A47L 9/22; B25G
1/06; Y10T 16/502
See application file for complete search history.

(56) **References Cited**

U.S. PATENT DOCUMENTS

D274,565 S *	7/1984	Smith, Jr.	D32/44
D357,098 S *	4/1995	Caligiuri	D23/223
D406,420 S *	3/1999	Sin	D32/22
D424,263 S *	5/2000	Canni Ferrari	D32/22
D426,038 S *	5/2000	Essex	D32/34
D461,607 S *	8/2002	Zhang	D32/45
D586,513 S *	2/2009	PZW Pho	D32/50
D600,022 S *	9/2009	Busschaert	D4/102
D635,774 S	4/2011	Butts et al.	
D680,290 S *	4/2013	Hsiao	D32/50
D685,969 S *	7/2013	Smith	D32/50
D699,412 S *	2/2014	Smith	D32/50
D719,712 S *	12/2014	Widmer	A46B 17/00
			D32/50
D825,190 S *	4/2018	Hu	D4/102

D822,299 S *	7/2018	Fair	D32/50
D835,871 S *	12/2018	Breit	D32/50
D897,619 S	9/2020	Sunila et al.	

(Continued)

FOREIGN PATENT DOCUMENTS

CN	306300200	*	1/2021
CN	306370705	*	3/2021

(Continued)

OTHER PUBLICATIONS

DECMAY Electric Spin Scrubber, available in Amazon.co.uk, date first available Jan. 13, 2021 [online], [site visited Jan. 21, 2022], Available from the internet URL: https://www.amazon.co.uk/DECMAY-Scrubbing-Tool-Free-Adjustable-Replaceable/dp/B08SWF5K96/ref=pd_sbs_4/260-9123618-3034121? (Year: 2021).*

(Continued)

Primary Examiner — Amy C Wierenga
Assistant Examiner — Jennylou M Binas
(74) *Attorney, Agent, or Firm* — True Shepherd LLC;
Andrew C. Cheng

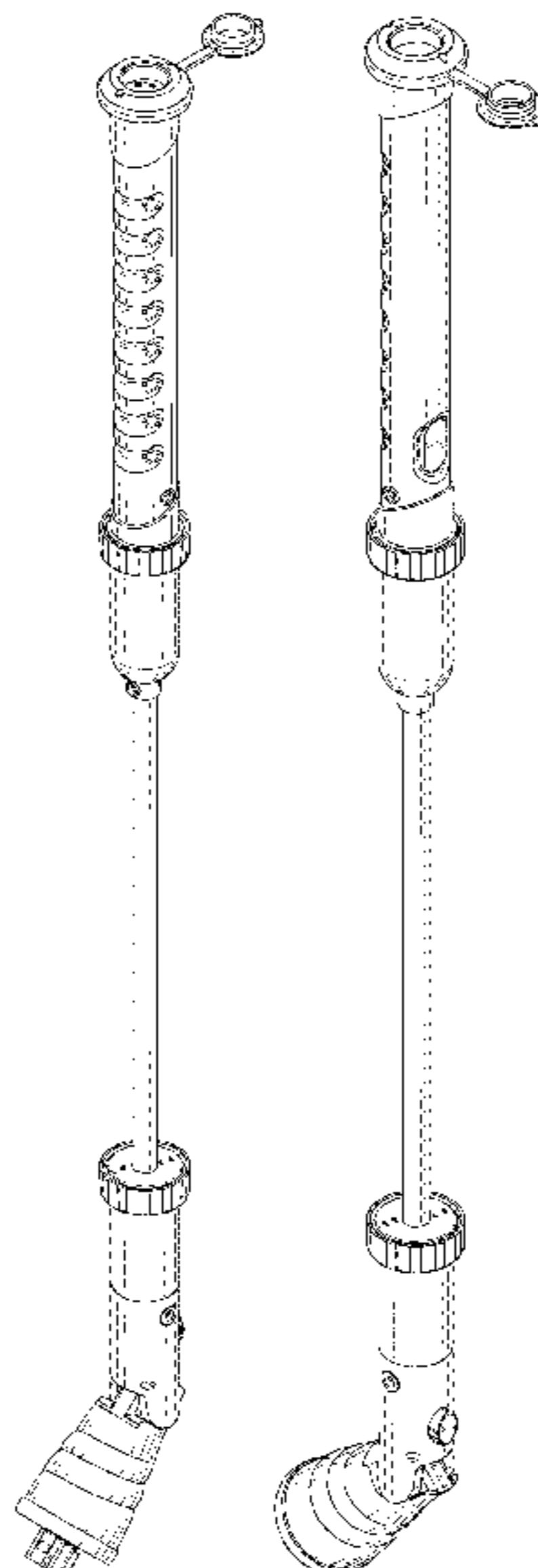
(57) **CLAIM**

The ornamental design for an electric broom, as shown and described.

DESCRIPTION

FIG. 1 is a top, front, right perspective view of an electric broom showing my new design;
FIG. 2 is a bottom, rear, left perspective view thereof;
FIG. 3 is a front view thereof;
FIG. 4 is a rear view thereof;
FIG. 5 is a left side view thereof;
FIG. 6 is a right side view thereof;
FIG. 7 is a top plan view thereof; and,
FIG. 8 is a bottom plan view thereof.
The broken lines depict portions of the electric broom and form no part of the claimed design.

1 Claim, 8 Drawing Sheets



(56)

References Cited

U.S. PATENT DOCUMENTS

D912,920	S	*	3/2021	Tao	D32/50
D925,850	S	*	7/2021	Tullney	D32/50
D927,195	S	*	8/2021	Wei	D4/121
D936,444	S	*	11/2021	Berrouard	D8/80
D938,682	S	*	12/2021	Zhang	D32/50

FOREIGN PATENT DOCUMENTS

CN	306621117	*	6/2021
IN	313292-001-0001	*	1/2021

OTHER PUBLICATIONS

Vaslon Electric Spin Scrubber, available in Amazon.ca, date first available Dec. 1, 2020 [online], [site visited Jan. 21, 2022], Available from the internet URL: https://www.amazon.ca/Electric-Scrubber-Cordless-Adjustable-Extension/dp/B08PCZ6WF7/ref=sr_1_8 (Year: 2020).*

Kokido 5.2-in Wand Pool Vacuum, available in lowes.com, customer review oldest date Jul. 19, 2021 [online], [site visited Jan. 21,

2022], Available from the internet URL: <https://www.lowes.com/pd/Kokido-Electric-Battery-Powered-Above-Ground-Pool-Spa-Vacuum-Cleaner/1002244082?> (Year: 2021).*

Hurricane Spin Scrubber Cordless, available in Amazon.com, date first available Oct. 23, 2016 [online], [site visited Jan. 21, 2022], Available from the internet URL: https://www.amazon.com/Hurricane-Scrubber-Cordless-Rechargeable-BulbHead/dp/B01MQJB009/ref=sr_1_5_mod_primary_new? (Year: 2016).*

Zhenren Electric Spin Scrubber, available in Amazon.co.uk, date first available Oct. 17, 2020 [online], [site visited Jan. 21, 2022], Available from the internet URL: https://www.amazon.co.uk/Electric-Scrubber-Ajustment-Replaceable-Scrubbing/dp/B08LB3XCVK/ref=sr_1_18? (Year: 2020).*

The 5 Best Electric Brooms To Make Sweeping A Breeze, available in bustle.com, announced Mar. 19, 2021 [online], [site visited Jan. 21, 2022], Internet URL: <https://www.bustle.com/life/best-electric-brooms> (Year: 2021).*

Vuitte Electric Spin Scrubber, available in Amazon.com, date first available Jun. 7, 2021 [online], [site visited Jan. 21, 2022], Available from the internet URL: https://www.amazon.com/Electric-Scrubber-Cleaning-Extension-Replaceable/dp/B096SCTH8X/ref=asc_df_B096SCTH8X/? (Year: 2021).*

* cited by examiner

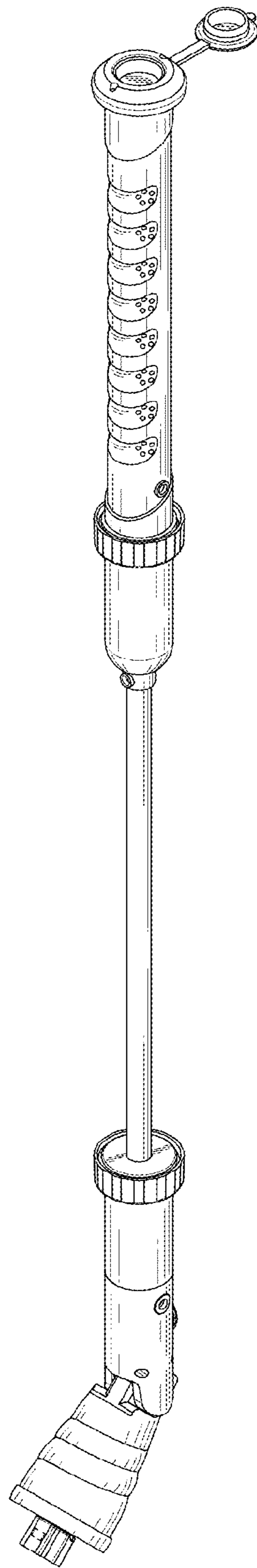


FIG. 1

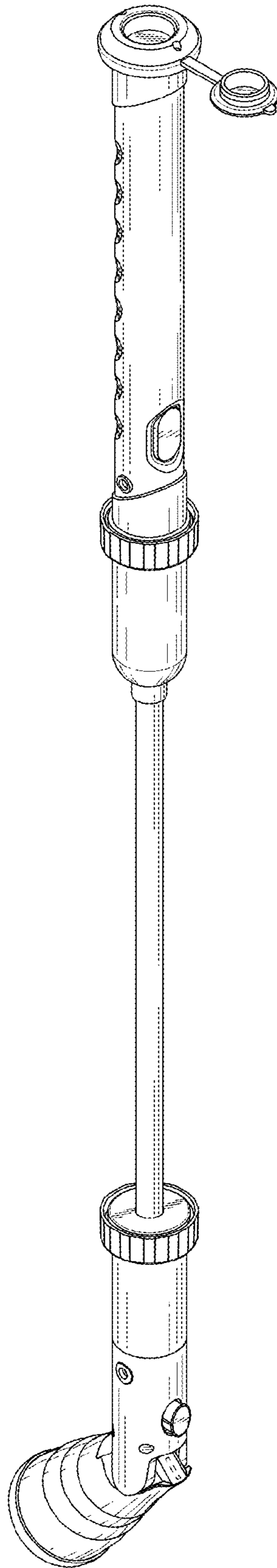


FIG. 2

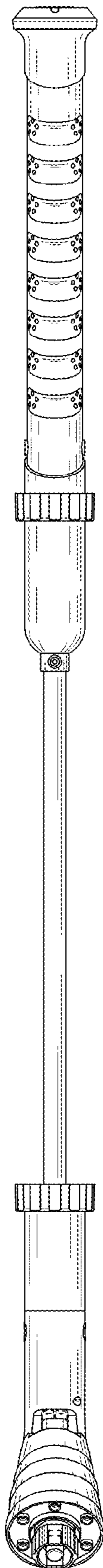


FIG. 3

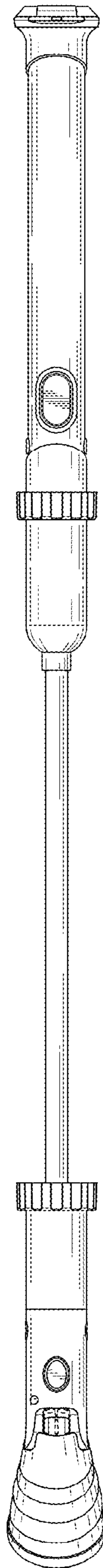


FIG. 4

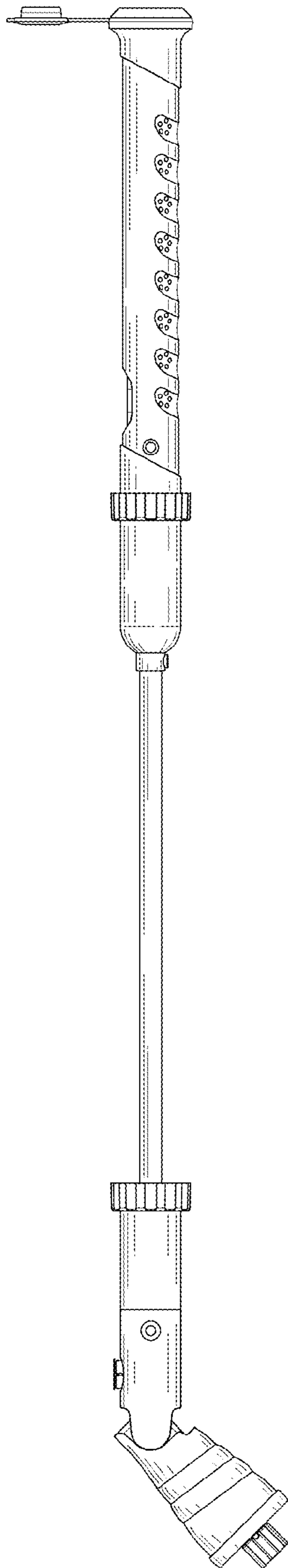


FIG. 5

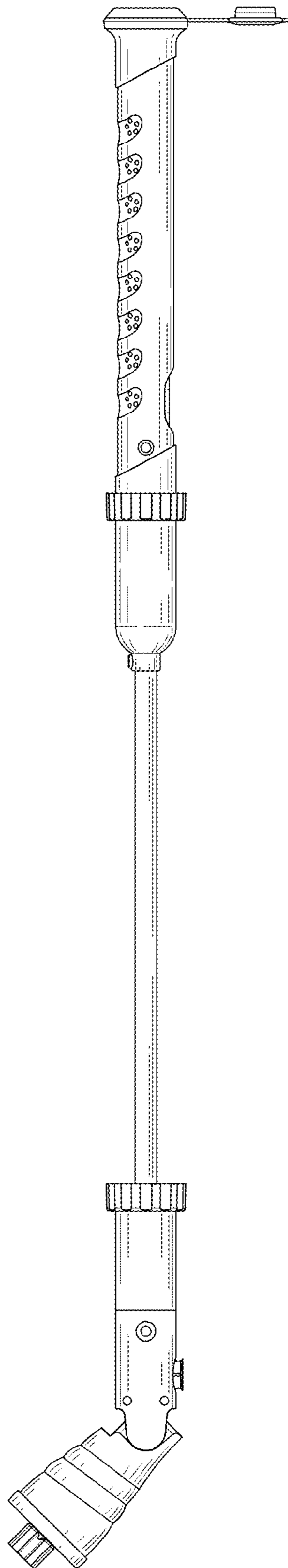


FIG. 6

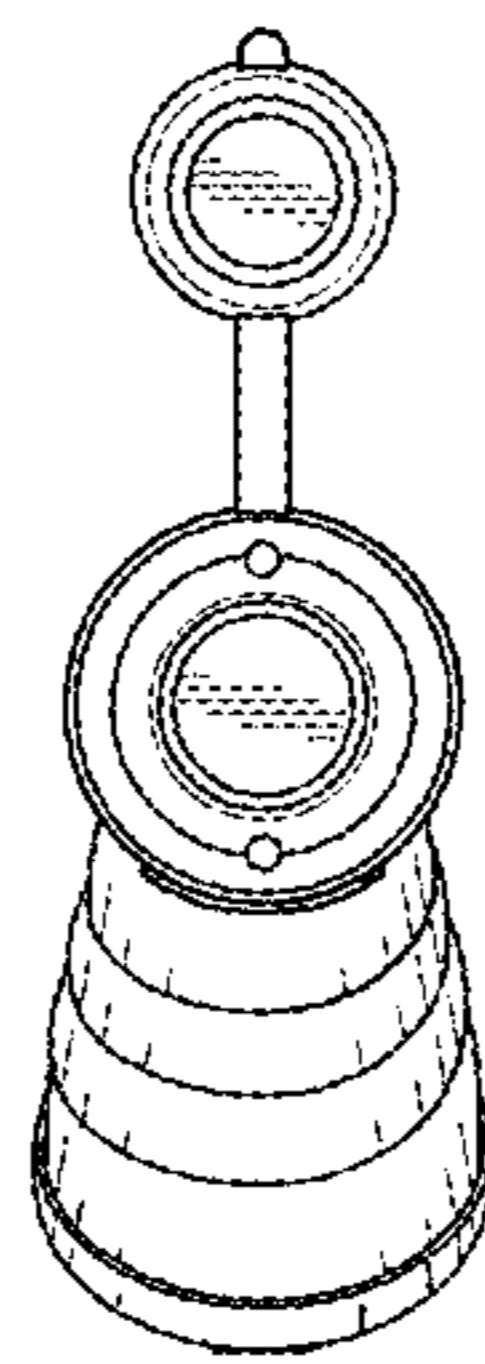


FIG. 7

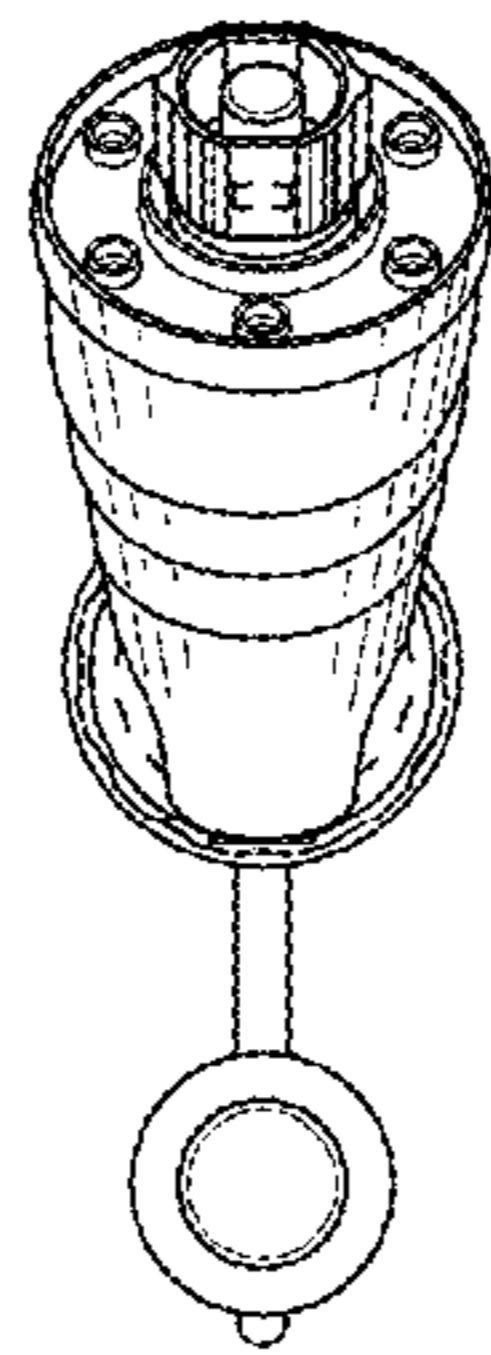


FIG. 8