



US00D955674S

(12) **United States Design Patent**  
**Huang**

(10) **Patent No.:** **US D955,674 S**  
(45) **Date of Patent:** **\*\* Jun. 21, 2022**

(54) **BRUSH CLEANING UTENSIL**  
(71) Applicant: **Tsung-Rey Huang**, Taipei (TW)  
(72) Inventor: **Tsung-Rey Huang**, Taipei (TW)  
(\*\*) Term: **15 Years**  
(21) Appl. No.: **29/693,571**

D919,915 S \* 5/2021 Price ..... D32/40  
2002/0189635 A1\* 12/2002 Bodet ..... A47L 13/12  
134/1  
2016/0325317 A1\* 11/2016 Gordon ..... A47L 13/12

**FOREIGN PATENT DOCUMENTS**

CN 304190470 \* 6/2017  
CN 304239025 \* 8/2017

**OTHER PUBLICATIONS**

Guide to beauty Tool Cleaning, article date Jan. 26, 2018 Beautytap.com, site visited Dec. 28, 2021, <https://beautytap.com/2018/01/beauty-tool-cleaning/>.\*

\* cited by examiner

*Primary Examiner* — John R Yeh

(74) *Attorney, Agent, or Firm* — Li & Cai Intellectual Property Office

(22) Filed: **Jun. 3, 2019**  
(51) **LOC (13) Cl.** ..... **07-05**  
(52) **U.S. Cl.**  
USPC ..... **D32/35**  
(58) **Field of Classification Search**  
USPC ..... D32/35, 40-43; D4/116  
CPC ..... A47L 13/10; A47L 13/12  
See application file for complete search history.

(56) **References Cited**

**U.S. PATENT DOCUMENTS**

D315,062 S \* 3/1991 Tsung-Chin ..... D4/116  
D349,792 S \* 8/1994 Mulholland ..... D32/35  
D397,833 S \* 9/1998 Adams Zurawin ..... D32/53.1  
D450,165 S \* 11/2001 Osiecki ..... D28/63  
6,708,363 B2 \* 3/2004 Larsen ..... A61L 2/18  
15/104.92  
D509,334 S \* 9/2005 Smith ..... D32/35  
D568,566 S \* 5/2008 Gabbour ..... D32/40  
D578,716 S \* 10/2008 Palin ..... D32/35  
D586,518 S \* 2/2009 Moon ..... D32/53.1  
D779,140 S \* 2/2017 Lim ..... D32/35  
D782,763 S \* 3/2017 Xavier ..... A47L 13/18  
D32/40  
D793,016 S \* 7/2017 Fakier ..... D32/35  
D802,237 S \* 11/2017 Huang ..... D32/35  
D833,095 S \* 11/2018 Li ..... D32/35  
D839,522 S \* 1/2019 Lee ..... D32/35  
D850,041 S \* 5/2019 Endle ..... D32/40  
D871,002 S \* 12/2019 Corona ..... D32/35  
D893,118 S \* 8/2020 Casper ..... D32/53.1  
D918,507 S \* 5/2021 Paramadilok ..... D32/40

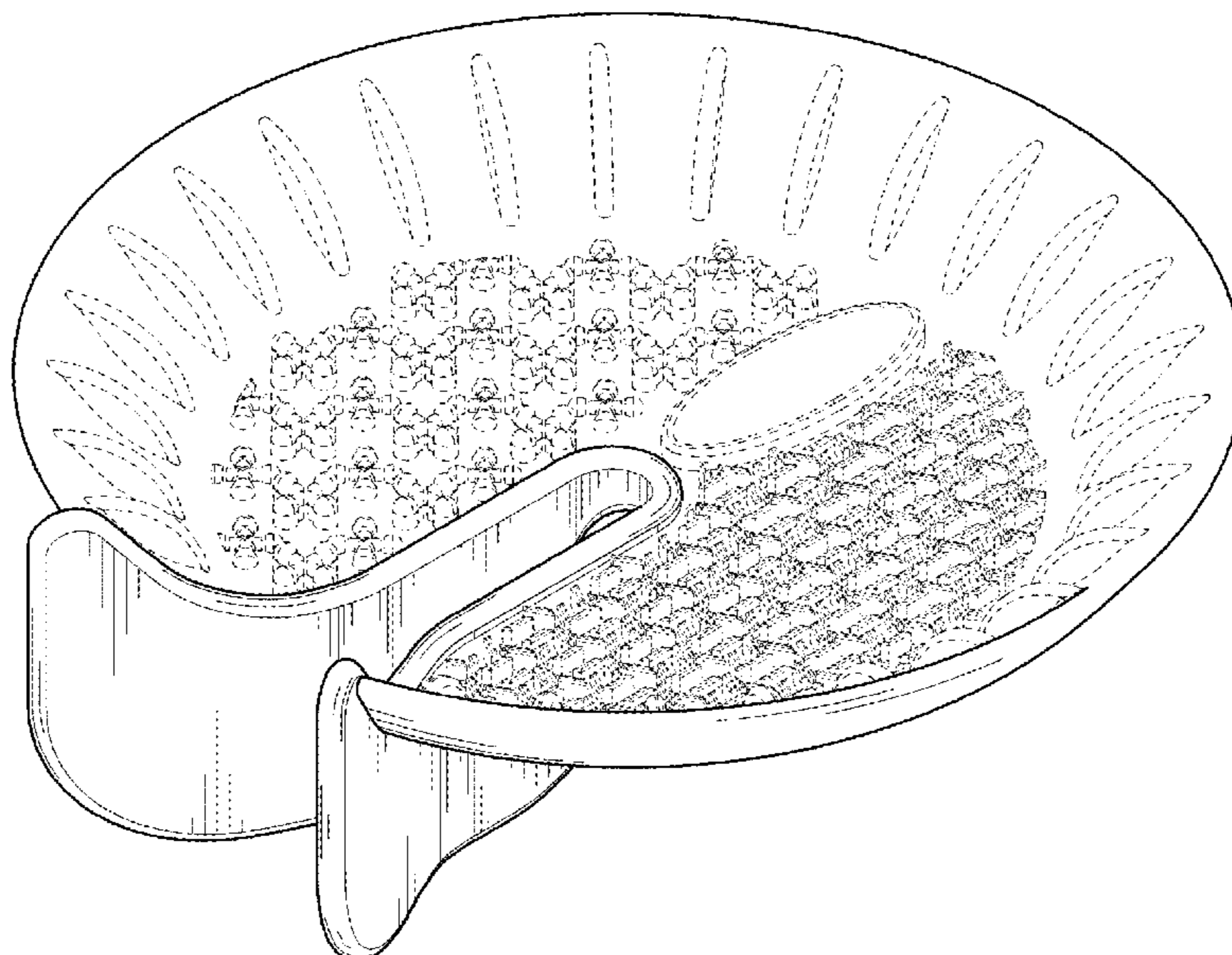
(57) **CLAIM**

The ornamental design for a brush cleaning utensil, as shown and described.

**DESCRIPTION**

FIG. 1 is a front perspective view of a brush cleaning utensil showing my new design;  
FIG. 2 is a front elevational view thereof;  
FIG. 3 is a rear elevational view thereof;  
FIG. 4 is a left side elevational view thereof;  
FIG. 5 is a right side elevational view thereof;  
FIG. 6 is a top plan view thereof;  
FIG. 7 is a bottom plan view thereof;  
FIG. 8 is a rear perspective view thereof; and,  
FIG. 9 is a reference view showing the design in use.  
The broken lines depict portions of the brush cleaning utensil in which the design is embodied that form no part of the claimed design.

**1 Claim, 9 Drawing Sheets**



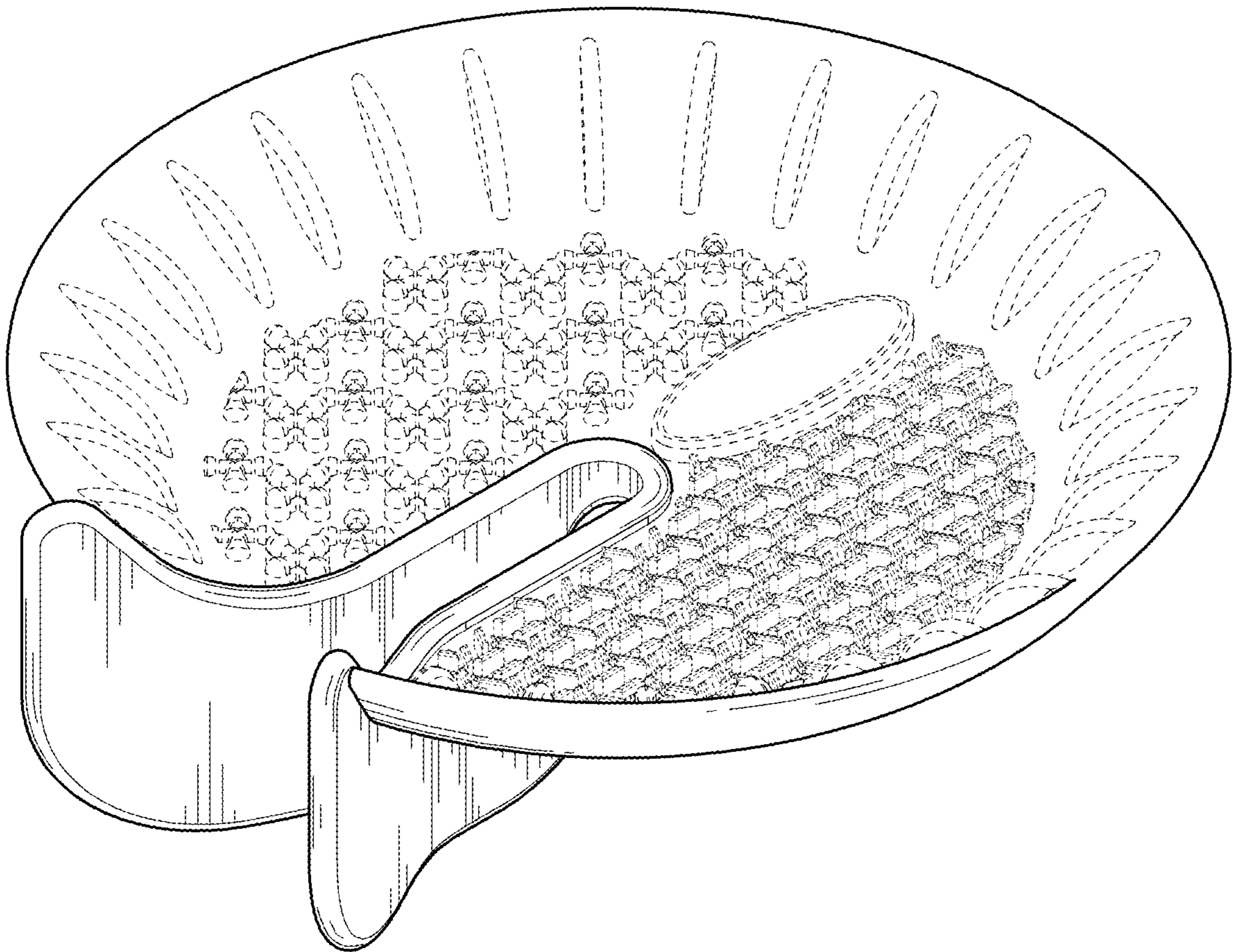


FIG. 1

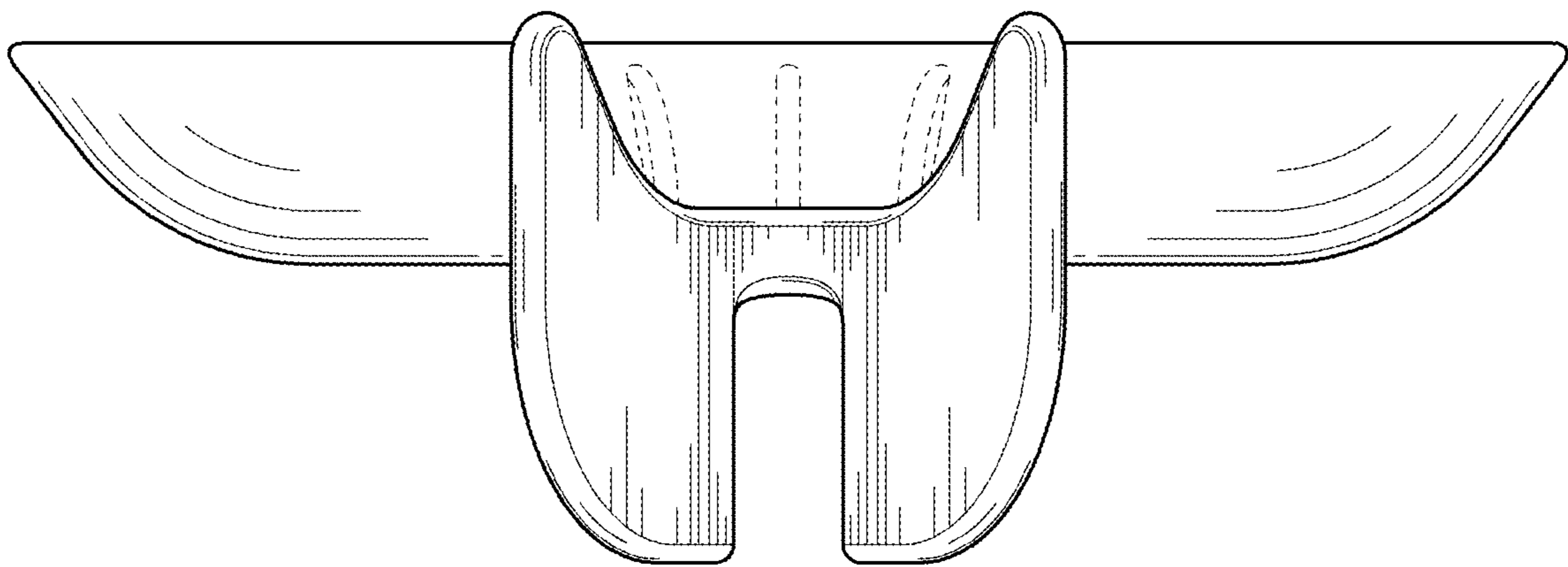


FIG. 2

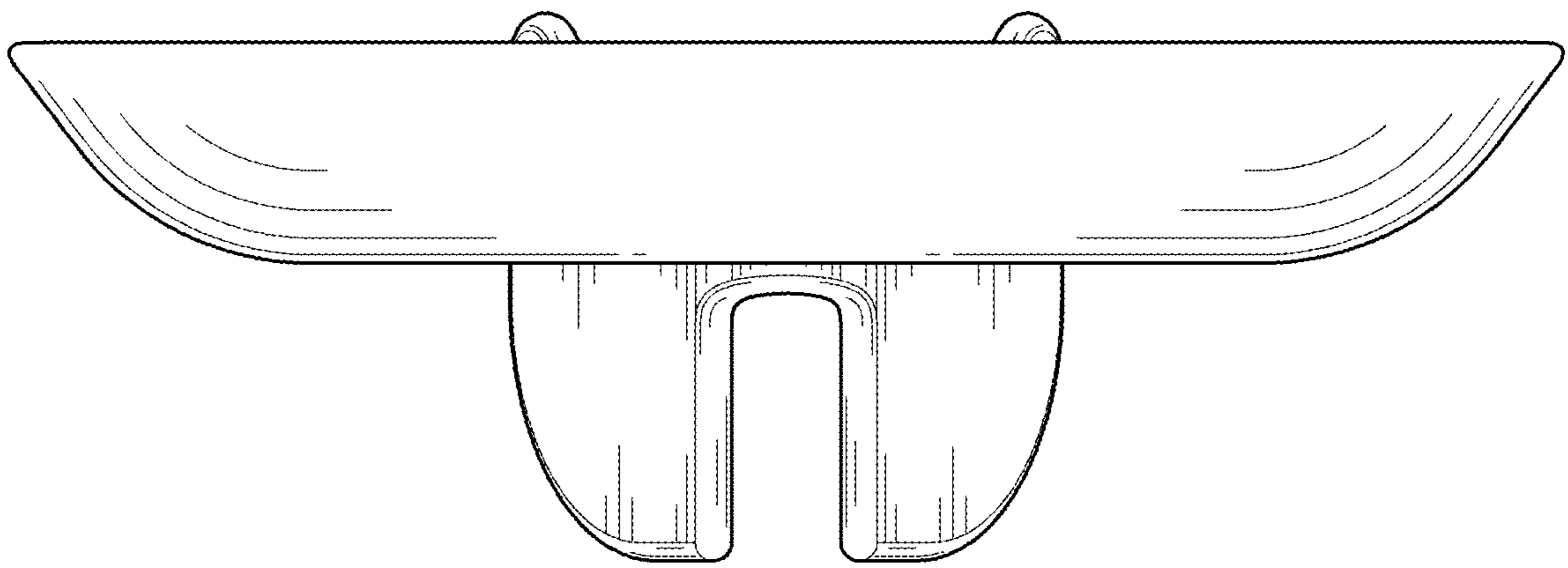


FIG. 3

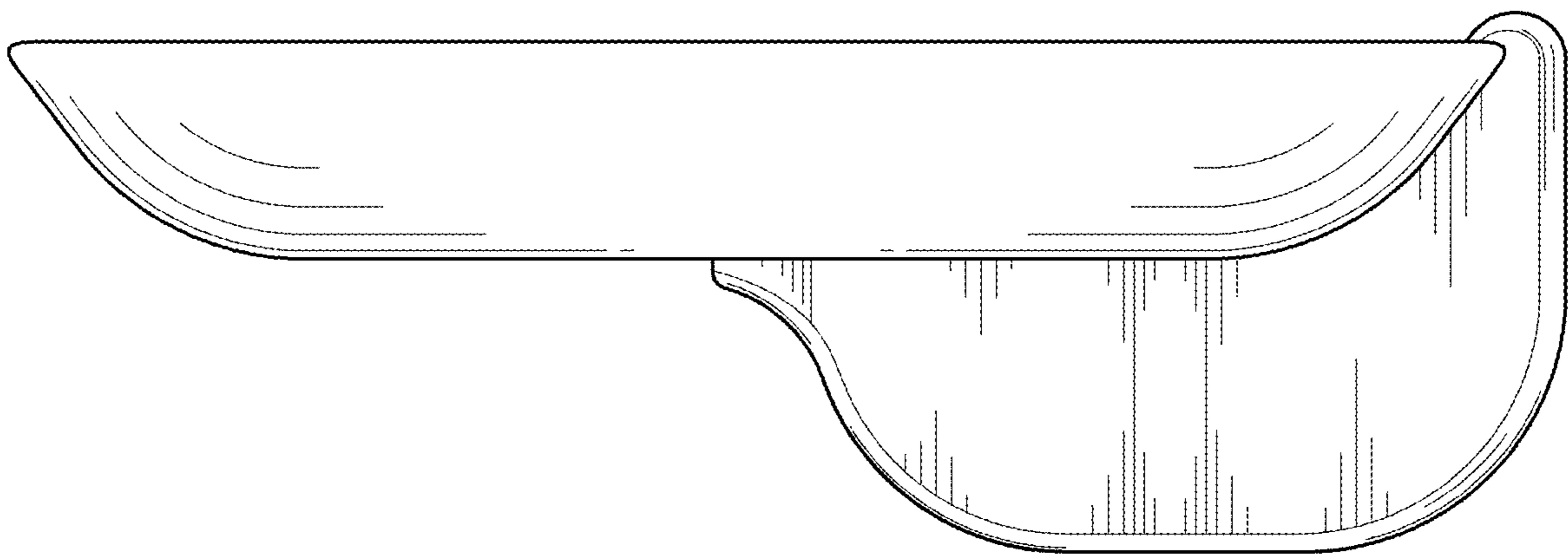


FIG. 4

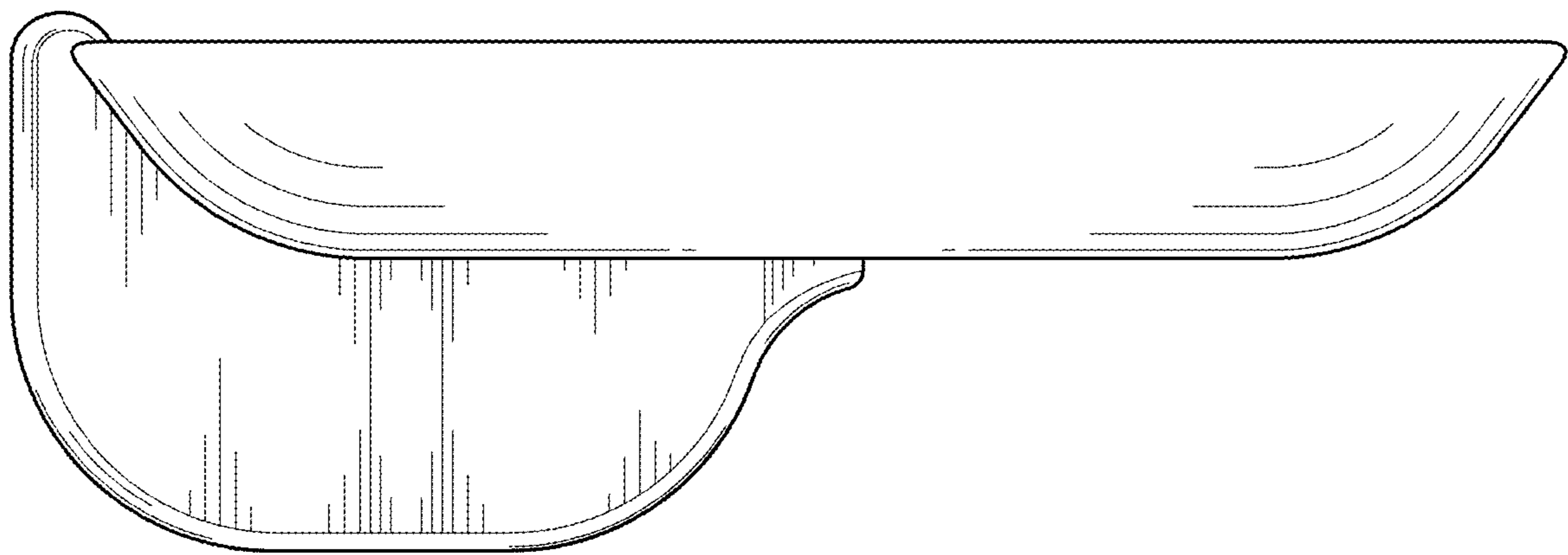


FIG. 5

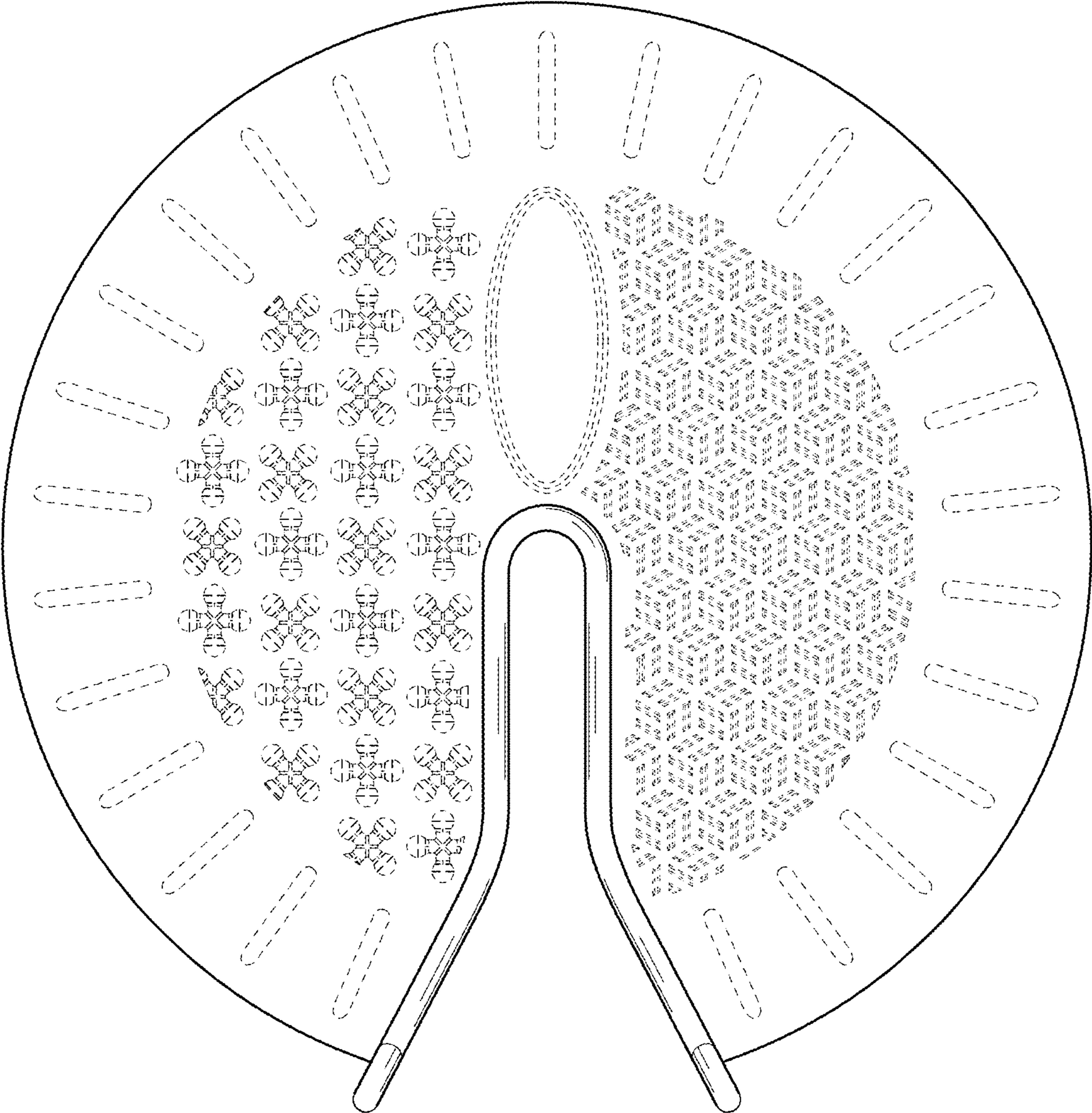


FIG. 6

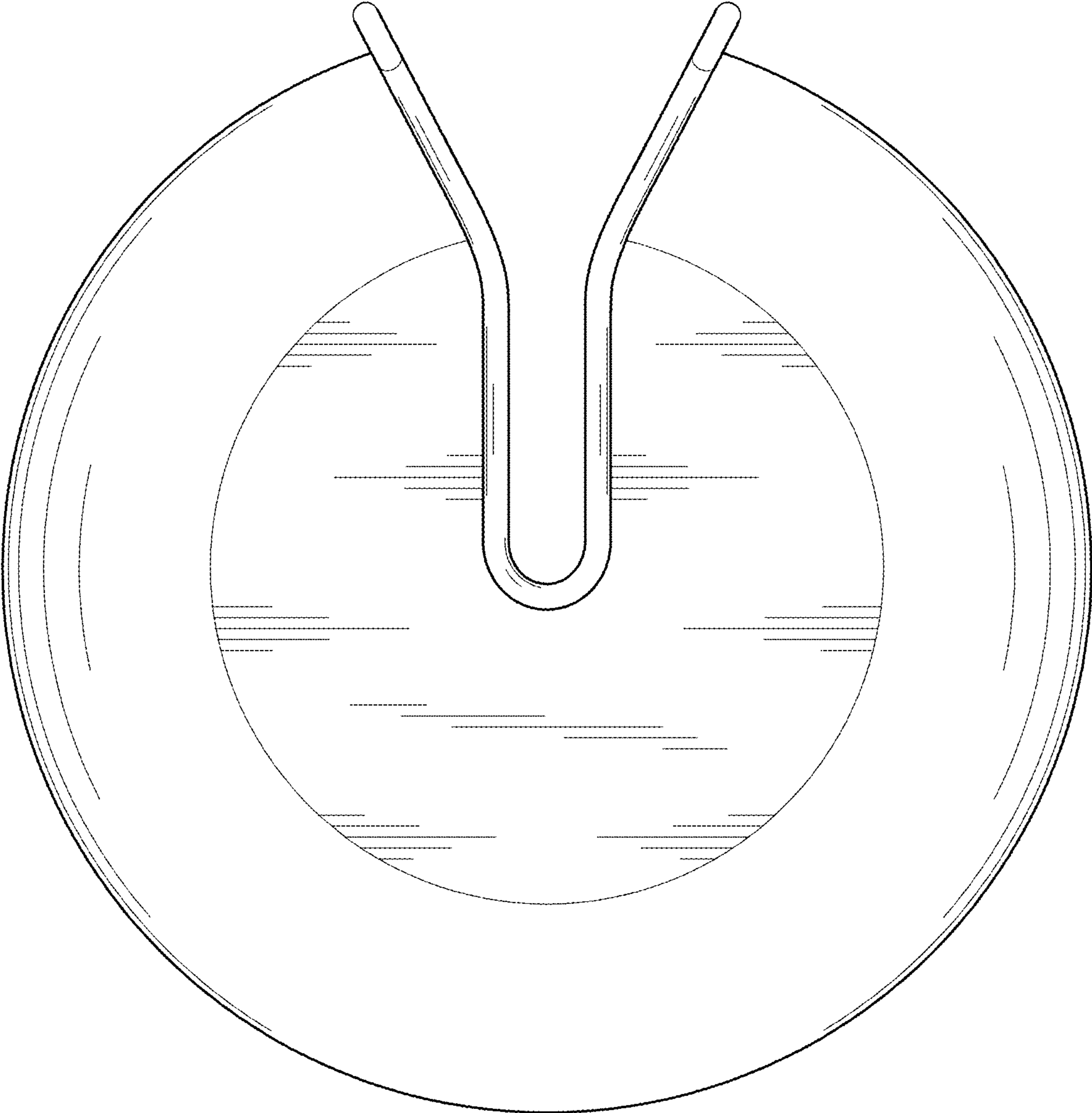


FIG. 7



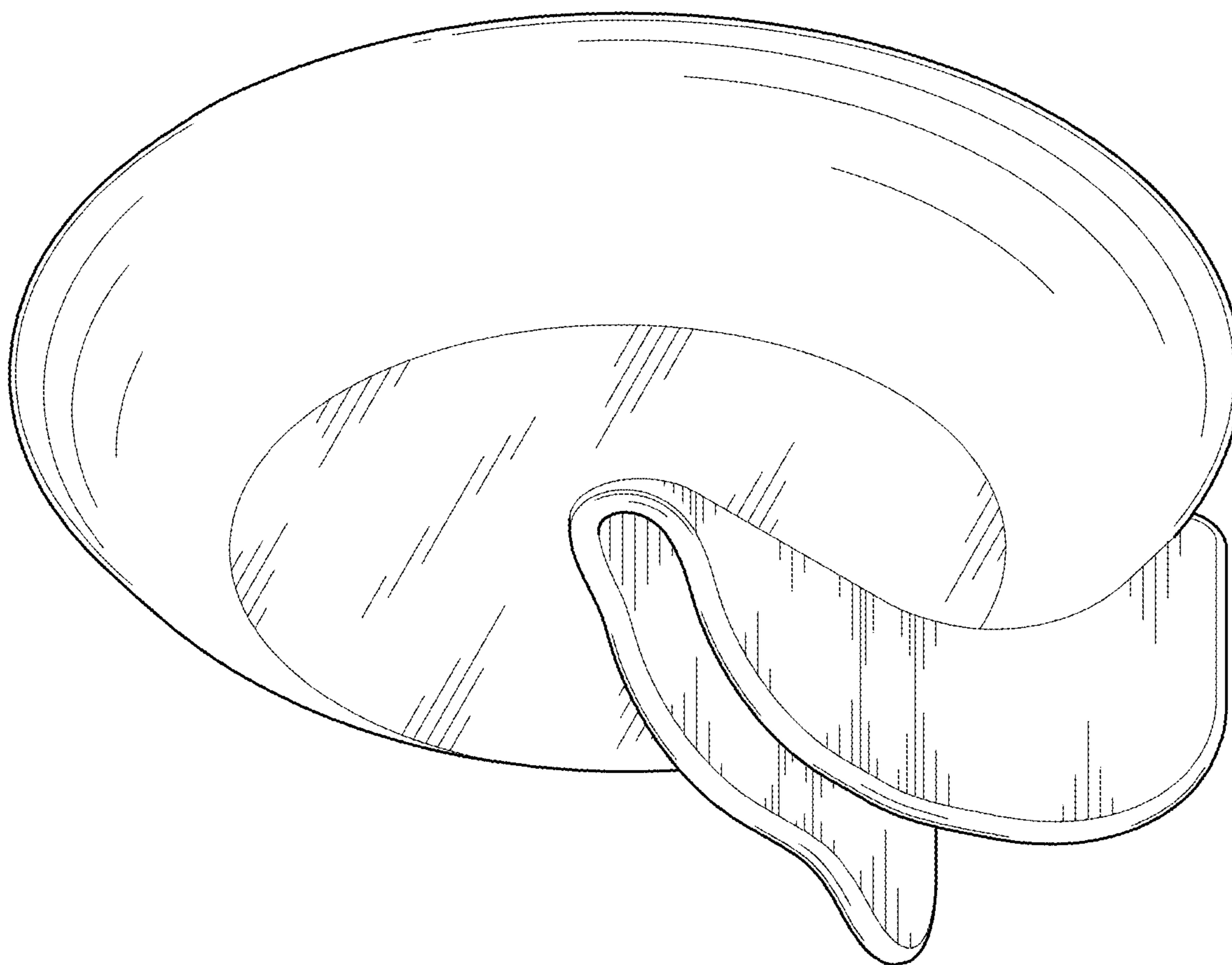


FIG. 8

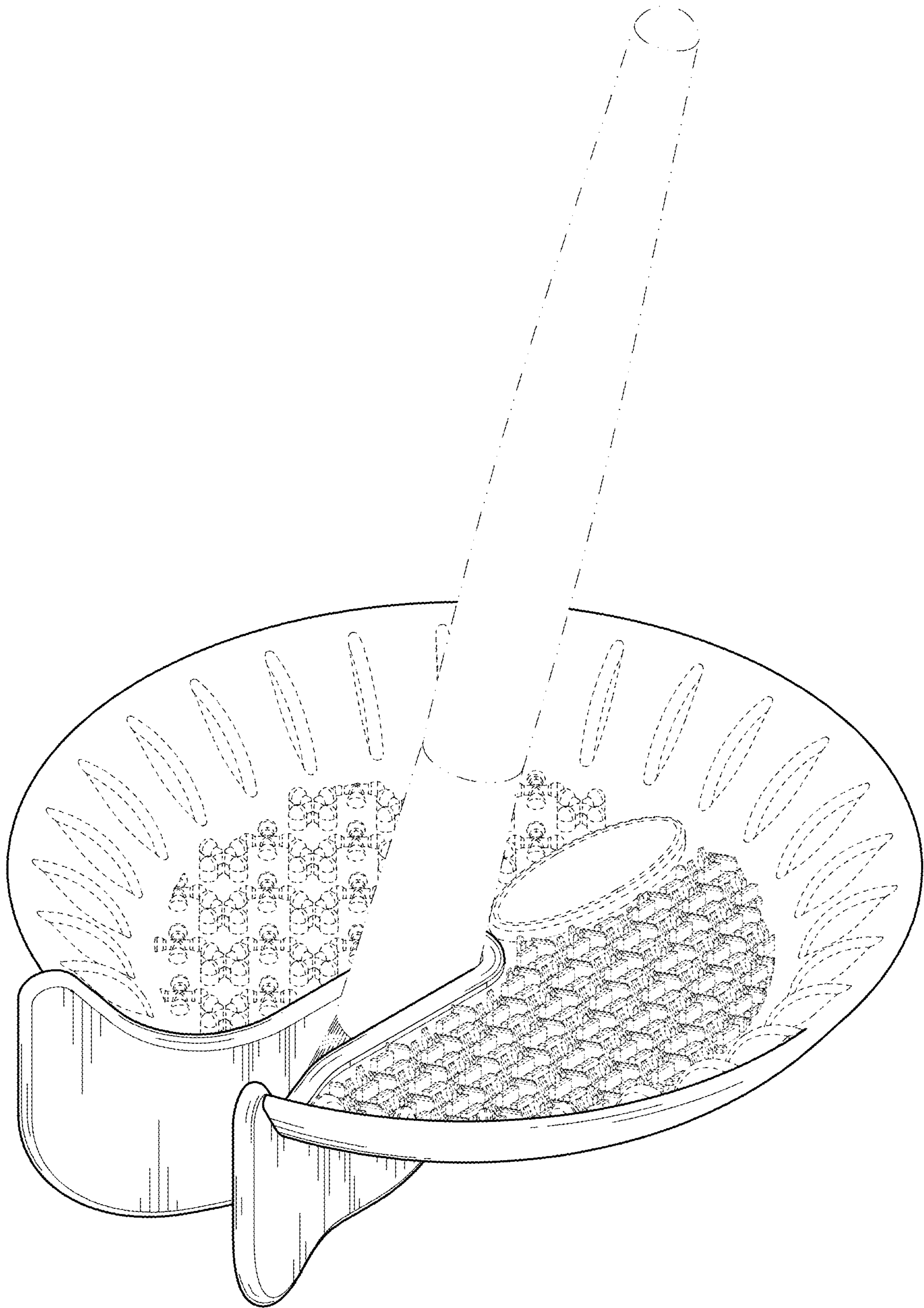


FIG. 9