



US00D955672S

(12) **United States Design Patent**
Yu et al.

(10) **Patent No.:** **US D955,672 S**
(45) **Date of Patent:** **** Jun. 21, 2022**

(54) **REMOVABLE TROLLEY FOR USE IN A DISHWASHER**

(71) Applicant: **LG ELECTRONICS INC.**, Seoul (KR)

(72) Inventors: **Seonil Yu**, Seoul (KR); **Wonjun Lee**, Seoul (KR); **Bohyun Nam**, Seoul (KR); **Kyutae Park**, Seoul (KR); **Jungkyu Son**, Seoul (KR)

(73) Assignee: **LG ELECTRONICS INC.**, Seoul (KR)

(**) Term: **15 Years**

(21) Appl. No.: **35/509,375**

(22) Filed: **Mar. 13, 2019**

(80) **Hague Agreement Data**

Int. Filing Date: **Mar. 13, 2019**

Int. Reg. No.: **DM/207980**

Int. Reg. Date: **Mar. 13, 2019**

Int. Reg. Pub. Date: **May 15, 2020**

(30) **Foreign Application Priority Data**

Sep. 17, 2018 (KR) 30-2018-0043507

(51) **LOC (13) Cl.** **15-05**

(52) **U.S. Cl.**
USPC **D32/3**

(58) **Field of Classification Search**
USPC D32/1-3, 12, 14, 32, 55; D6/675.5, 675, D6/705; D34/12, 14, 17, 19, 21, 25; D24/185

CPC A47L 15/504; A47L 15/507; A47L 15/502; A47L 15/503; A47L 15/50; A47L 15/506; A47L 15/501; A47L 15/505; A47L 15/0084; A47L 15/16; A47L 15/00

See application file for complete search history.

(56) **References Cited**

U.S. PATENT DOCUMENTS

D250,863 S * 1/1979 Berti D34/21
D285,134 S * 8/1986 Schunter D34/21
D501,591 S * 2/2005 Lucht D34/12
D505,817 S * 6/2005 Jackson D6/705

(Continued)

FOREIGN PATENT DOCUMENTS

JP D1669923 * 10/2020
JP D1669924 * 10/2020
KR 300999983.0000 * 3/2021

Primary Examiner — Tracey J Bell

(74) *Attorney, Agent, or Firm* — Birch, Stewart, Kolasch & Birch, LLP

(57) **CLAIM**

The ornamental design for a removable trolley for use in a dishwasher, as shown and described.

DESCRIPTION

1. Removable trolley for use in a dishwasher

1.1 : Perspective

1.2 : Front

1.3 : Back

1.4 : Left

1.5 : Right

1.6 : Top

1.7 : Bottom

1.8 : Perspective

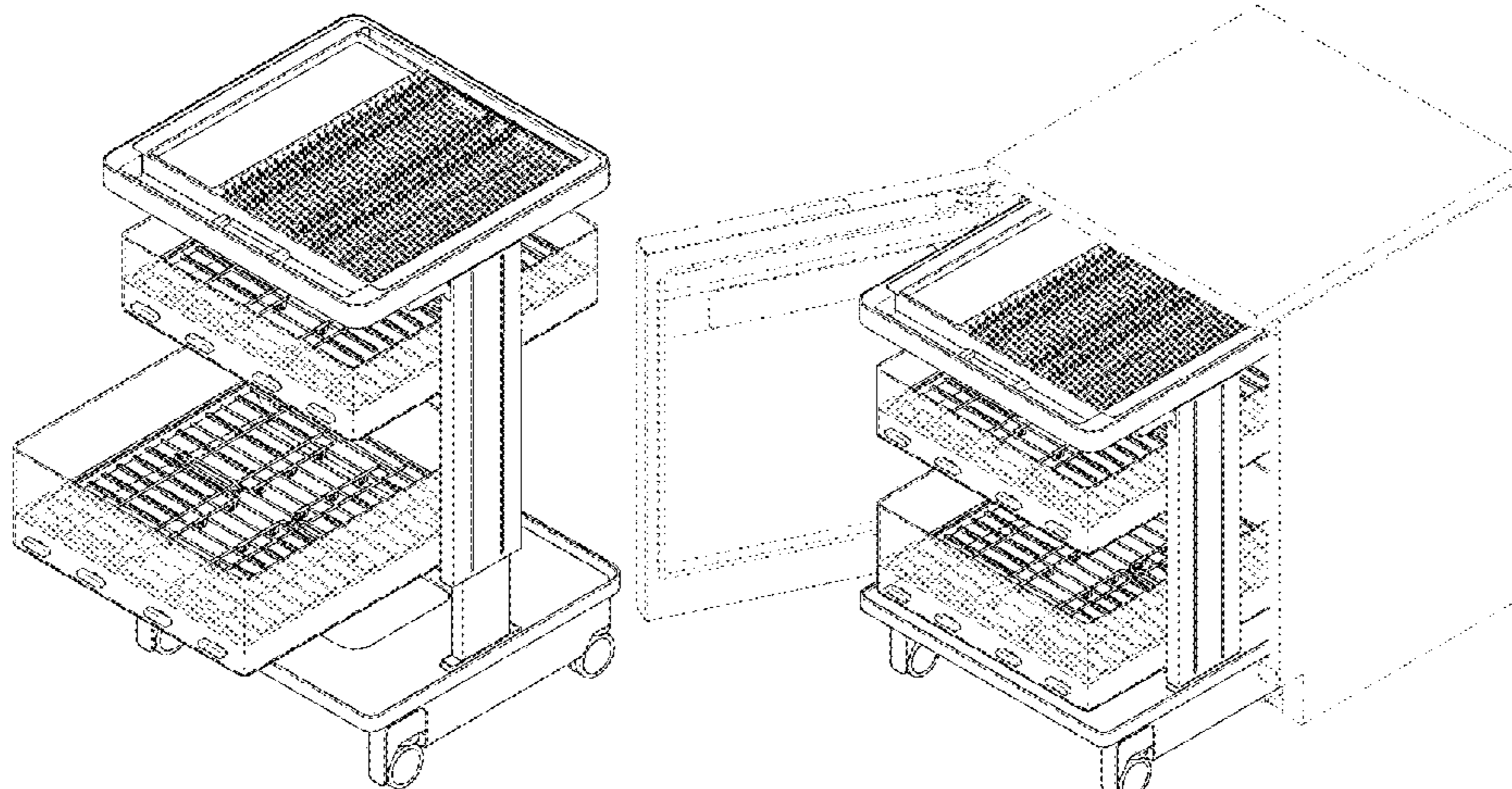
1.9 : Perspective

1.10 : Perspective view of the removable trolley for use in a dishwasher shown in an environment of use.

1.11 : Perspective view of the removable trolley for use in a dishwasher shown in an environment of use.

The broken lines depict portions of the removable trolley for use in a dishwasher and environmental subject matter that form no part of the claimed design. The portions of the

(Continued)



removable trolley for use in a dishwasher shown in the color grey form no part of the claimed design.

1 Claim, 11 Drawing Sheets

(56)

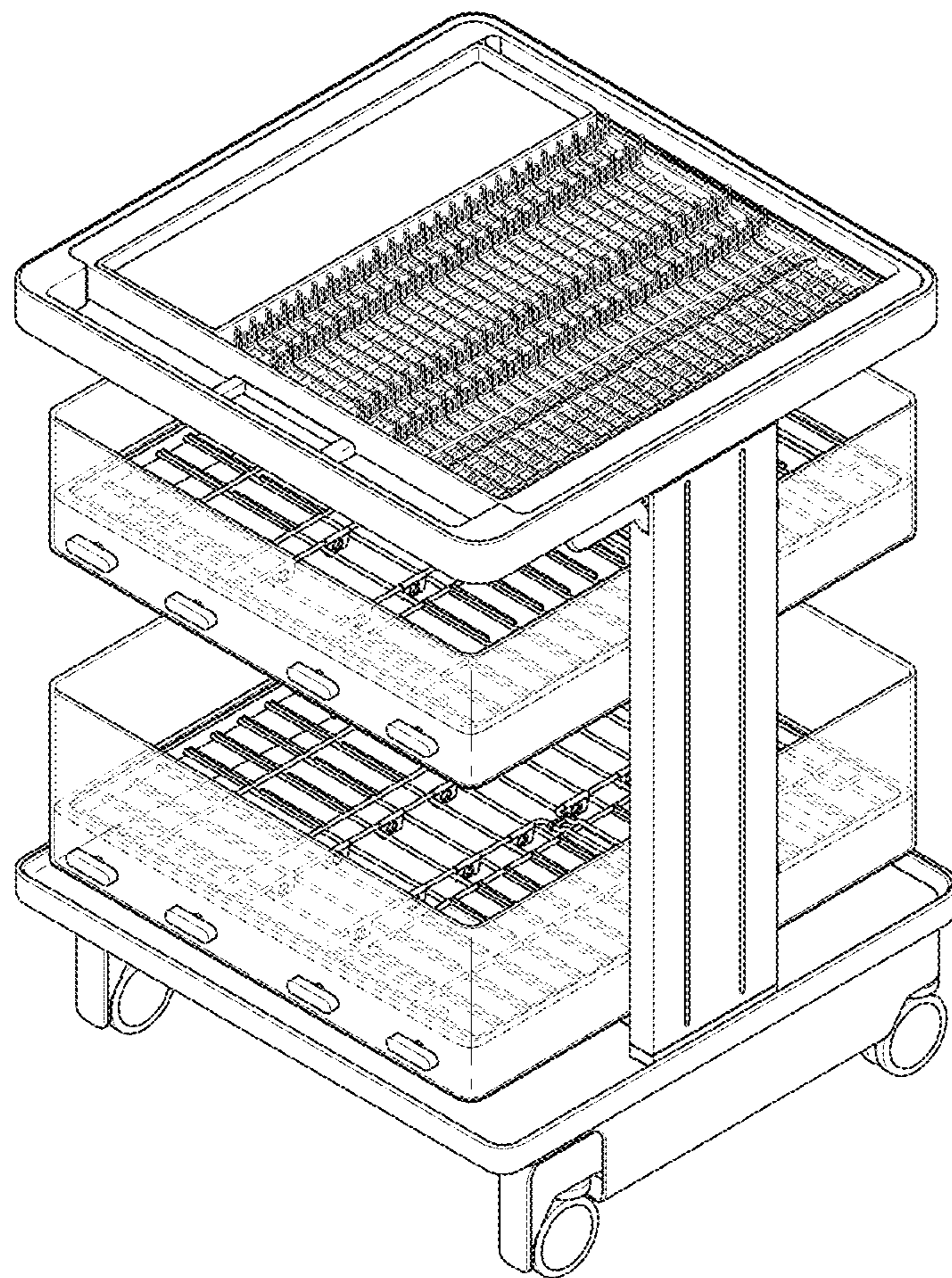
References Cited

U.S. PATENT DOCUMENTS

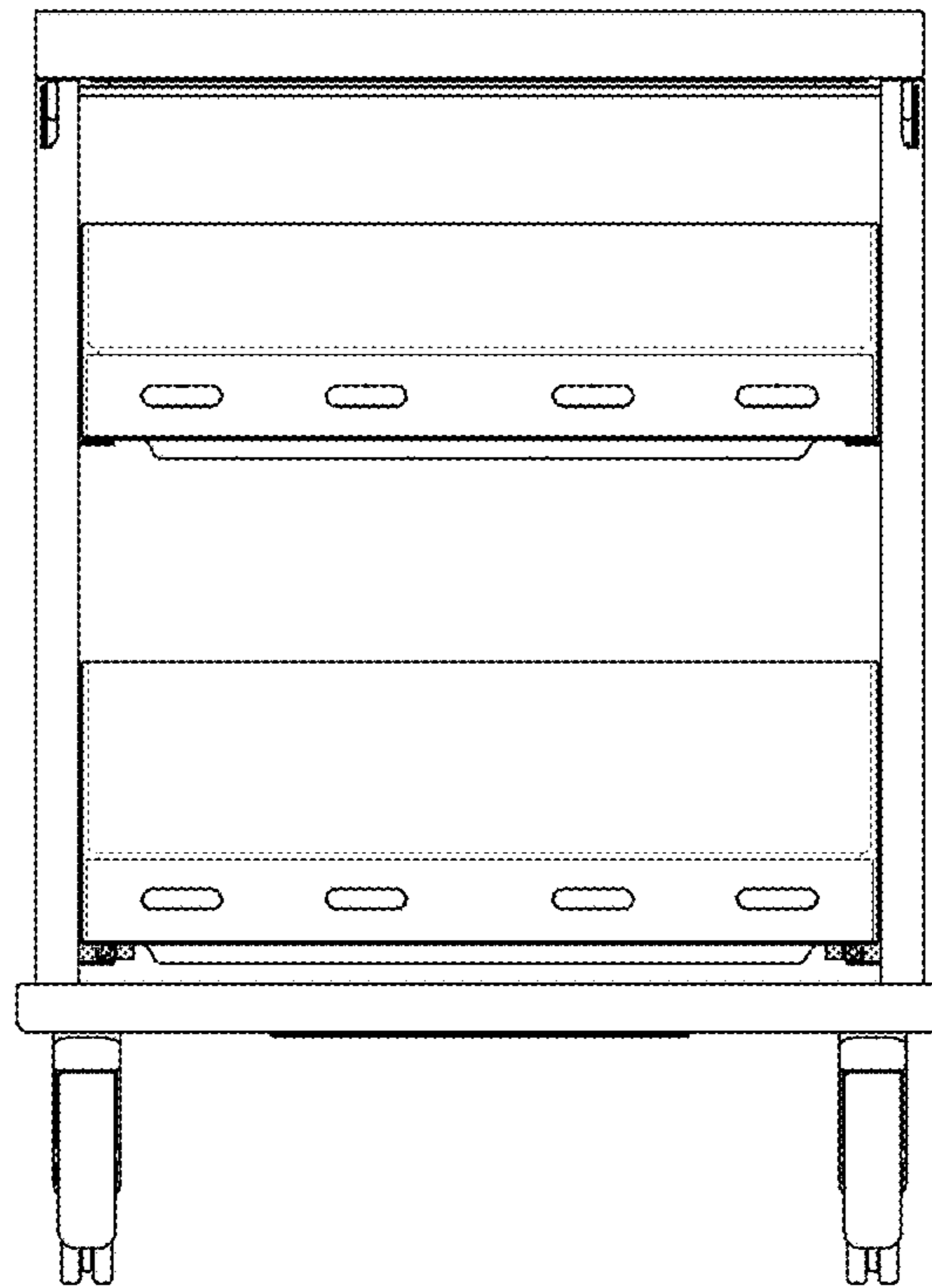
D668,829	S	*	10/2012	Ono	D34/12
D708,875	S	*	7/2014	McNamara	D6/705
D725,325	S	*	3/2015	Lee	D32/3
D756,584	S	*	5/2016	Dunford	D34/12
D792,047	S	*	7/2017	Garey	D34/12
D800,398	S	*	10/2017	Haft	D32/3
D817,563	S	*	5/2018	Lee	D32/3
D843,724	S	*	3/2019	Drendel	D3/297
D897,615	S	*	9/2020	Nam	D32/3
D919,202	S	*	5/2021	Nam	D32/2
D919,203	S	*	5/2021	Nam	D32/2
2012/0181242	A1	*	7/2012	Jeong	A47L 15/502 211/70.7

* cited by examiner

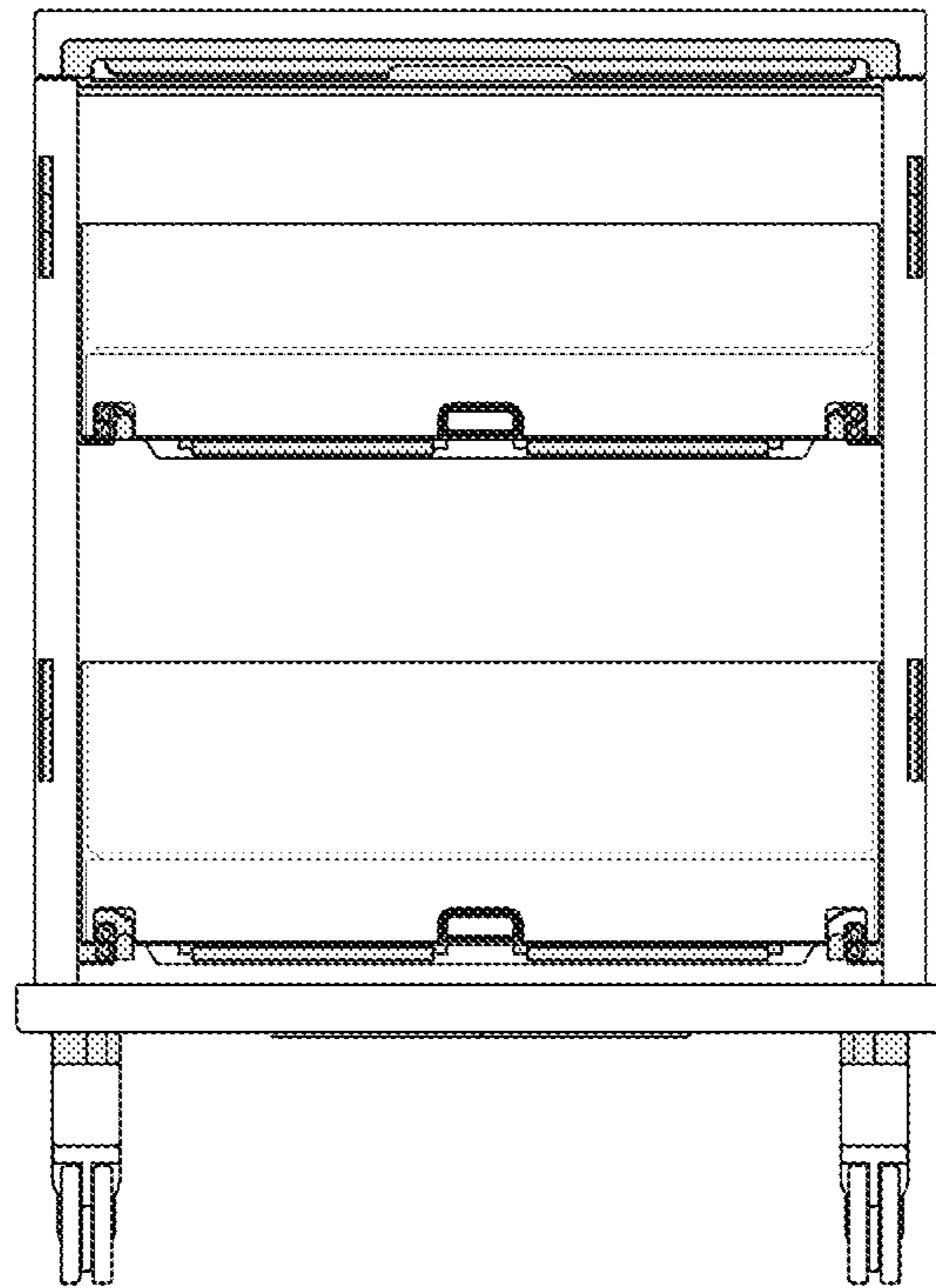
1.1



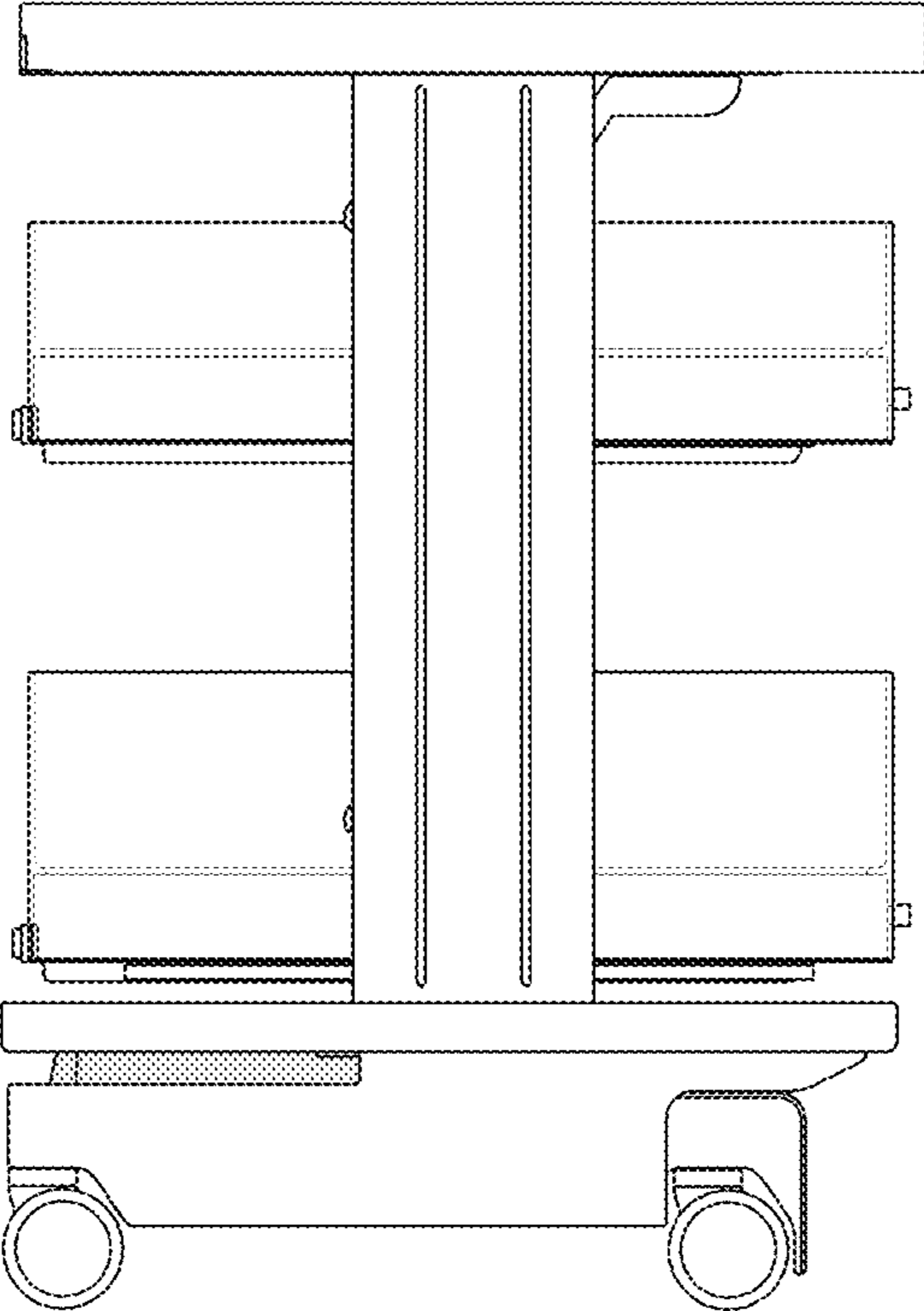
1.2



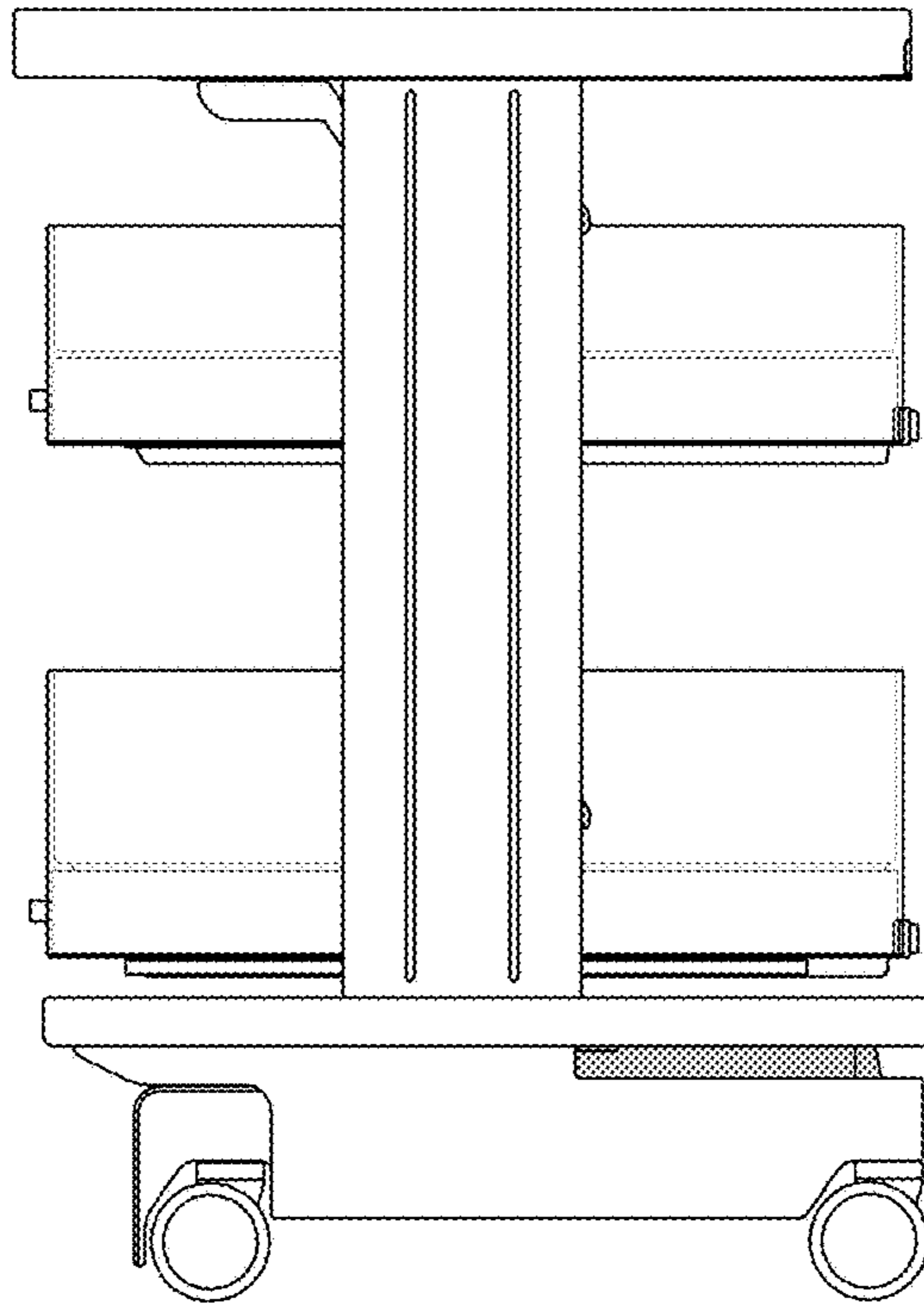
1.3



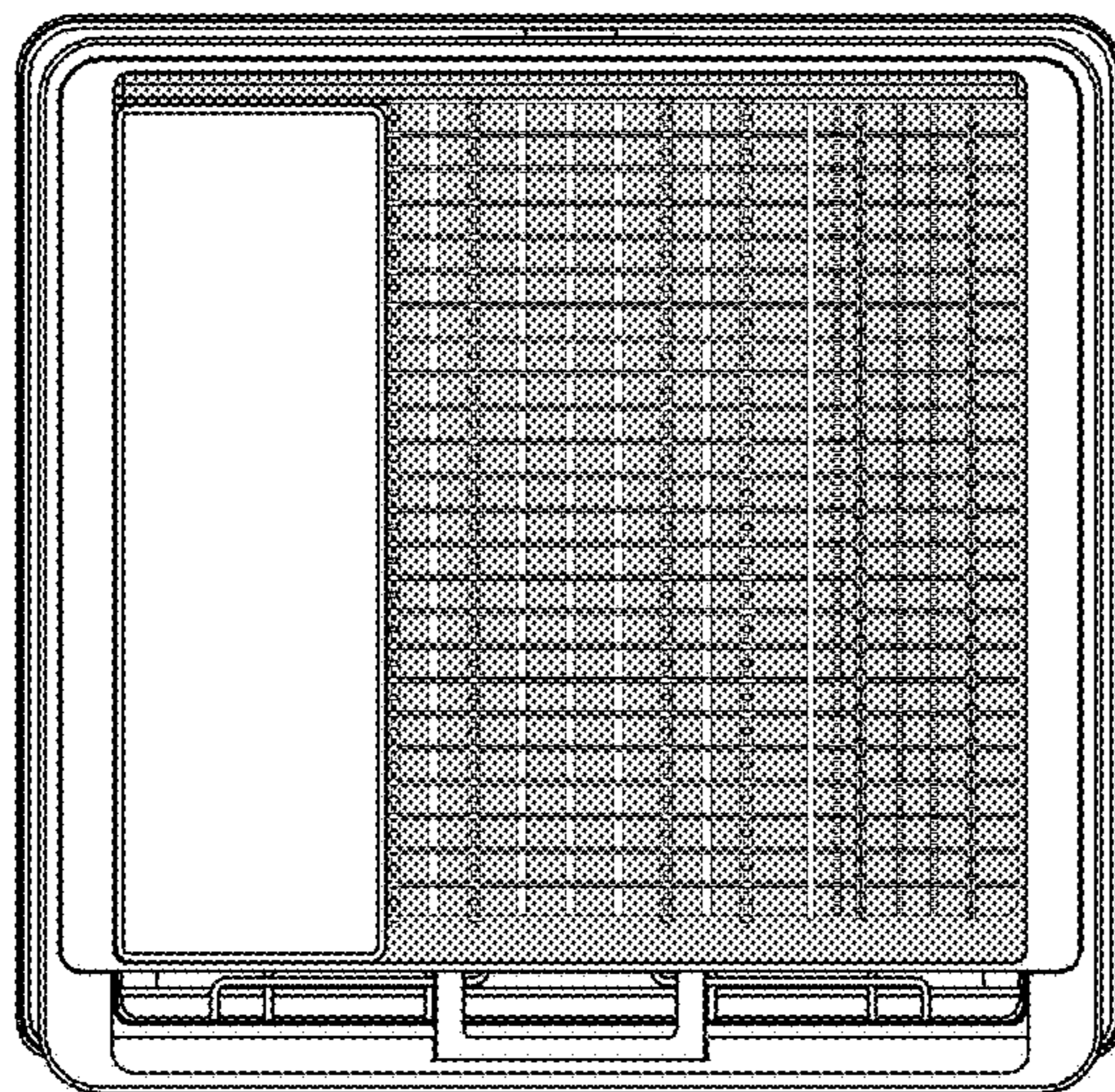
1.4



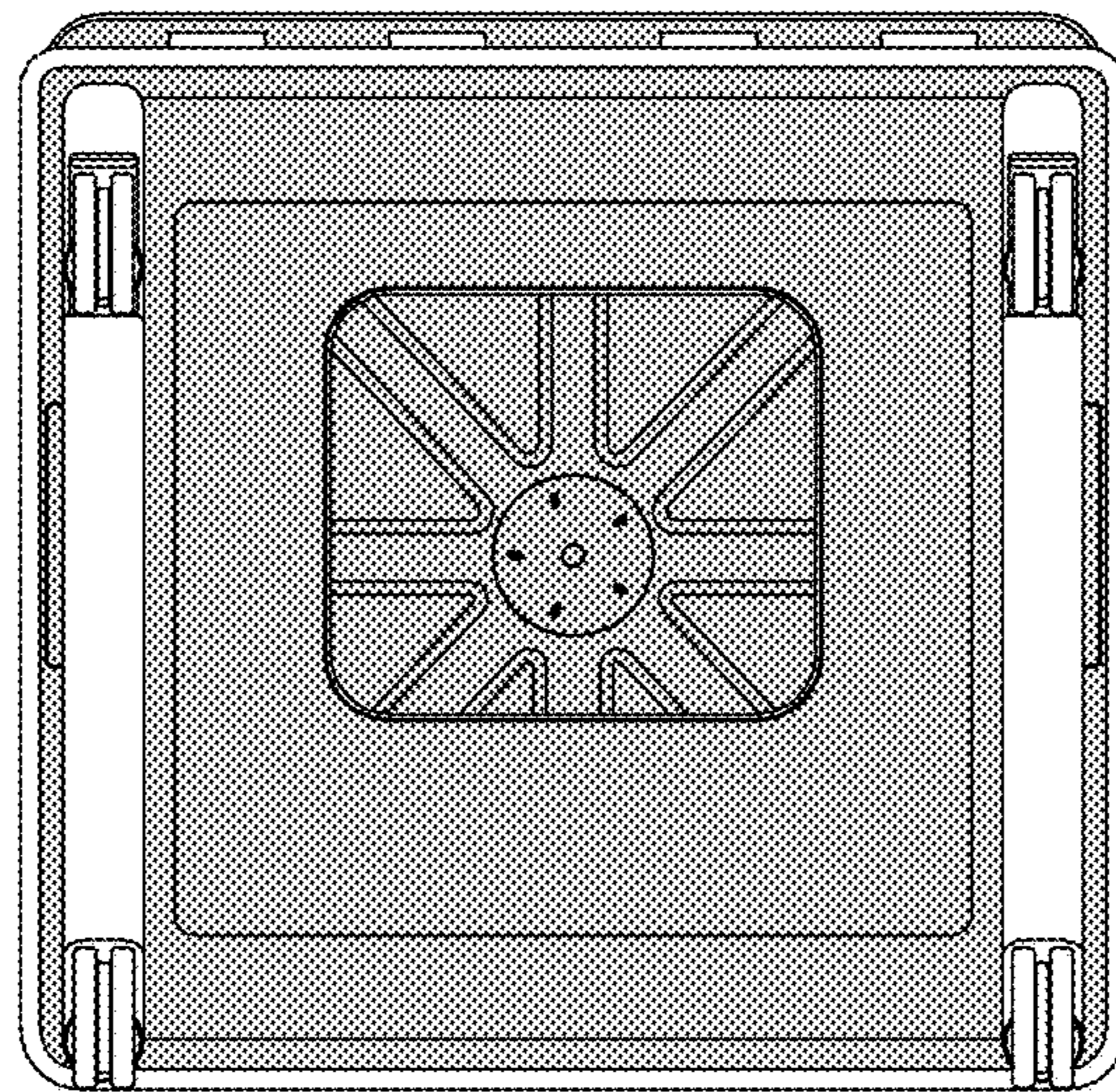
1.5



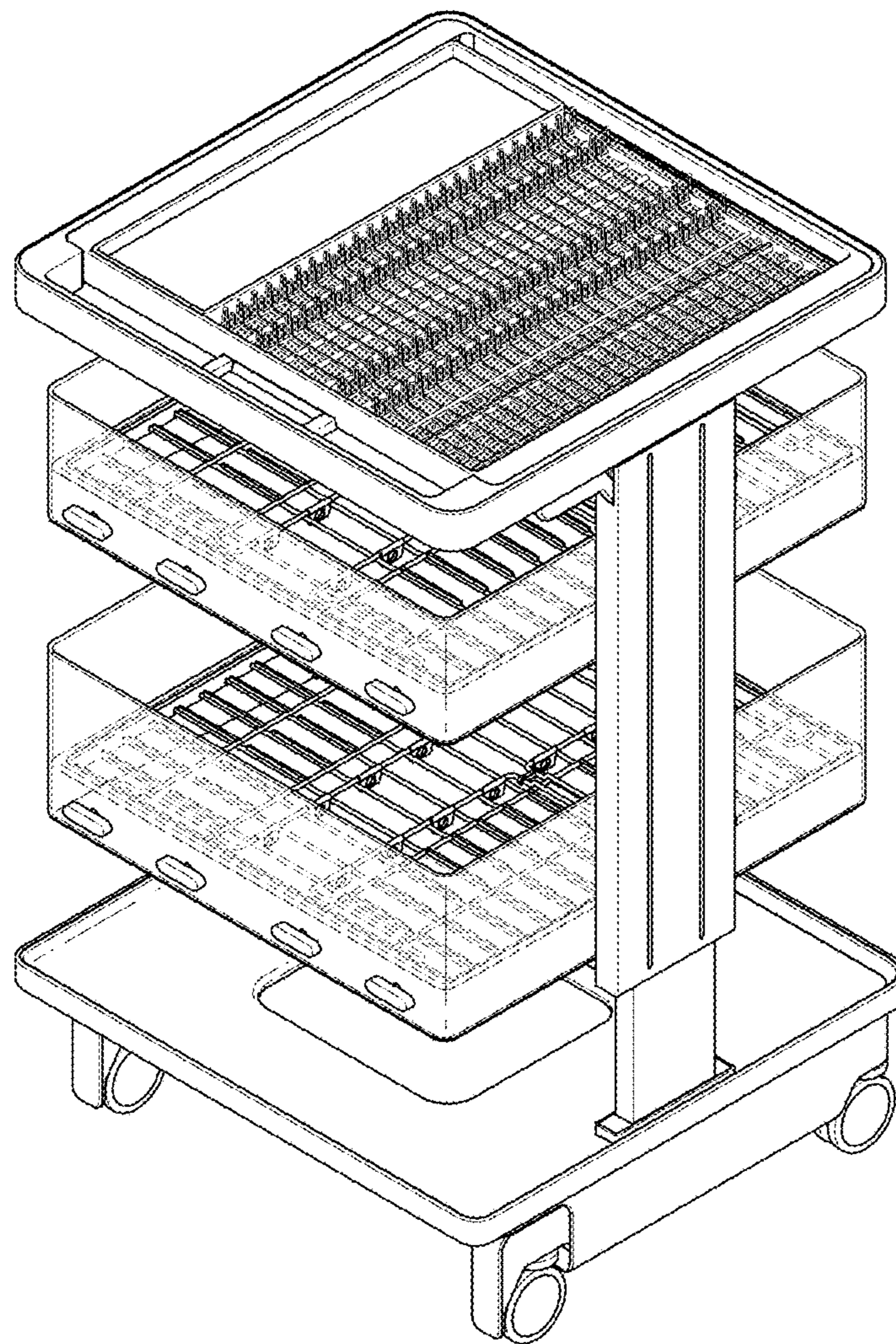
1.6



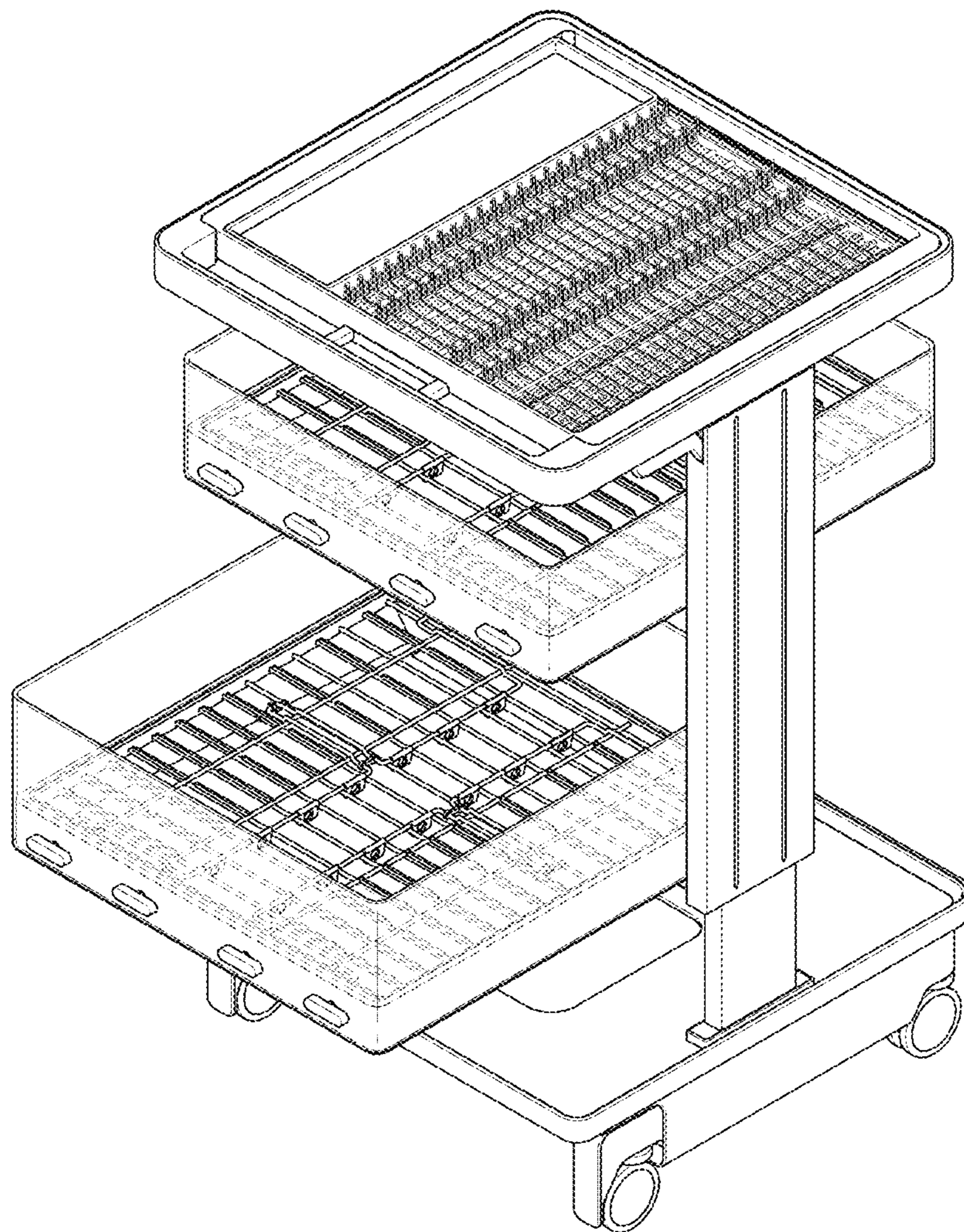
1.7



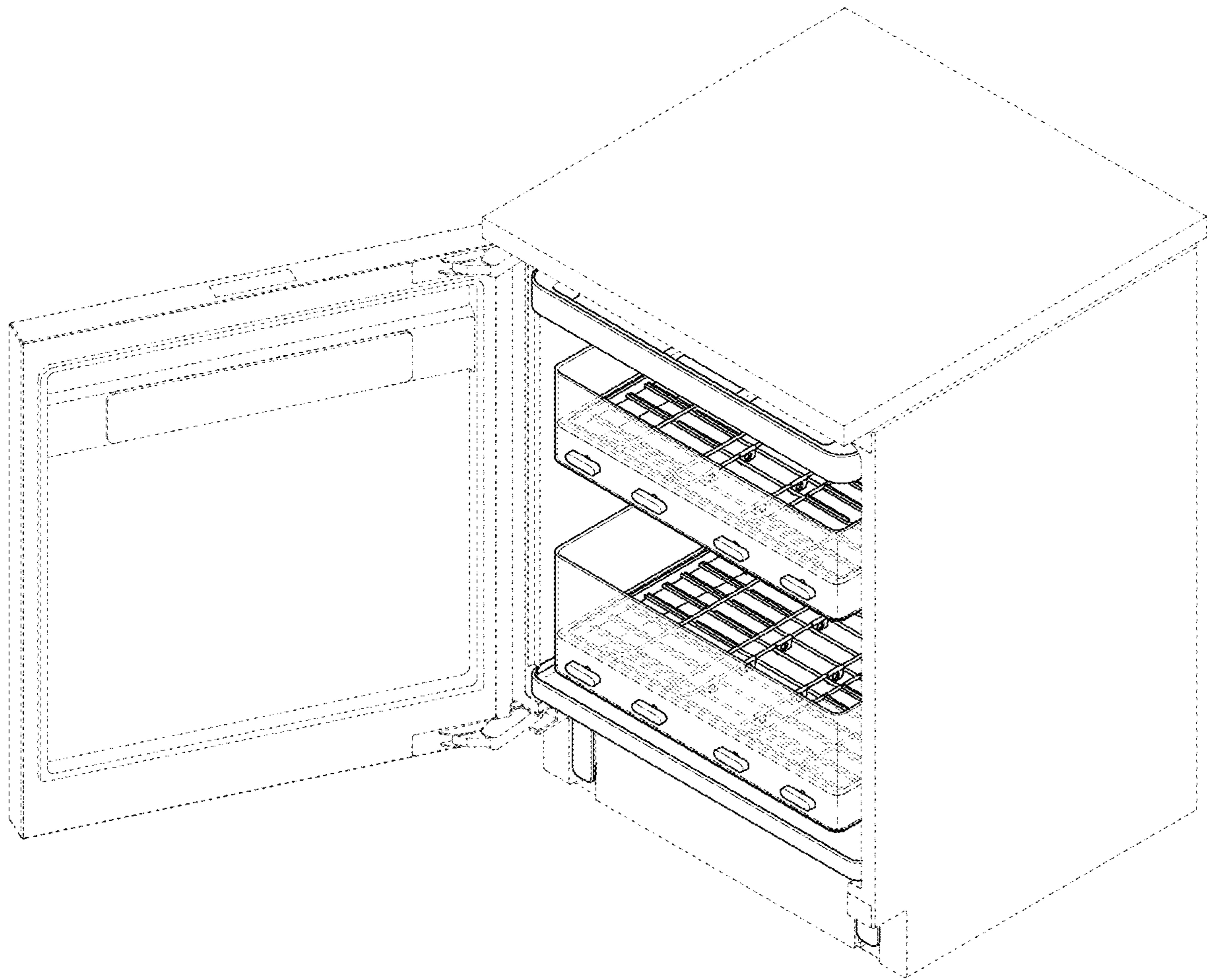
1.8



1.9



1.10



1.11

