



US00D955670S

(12) **United States Design Patent** (10) **Patent No.:** **US D955,670 S**
Tan (45) **Date of Patent:** **** Jun. 21, 2022**

(54) **TRANSMITTER OF DOG TRAINING COLLAR**

(71) Applicant: **Qiuping Tan**, Hengyang (CN)

(72) Inventor: **Qiuping Tan**, Hengyang (CN)

(**) Term: **15 Years**

(21) Appl. No.: **29/748,471**

(22) Filed: **Aug. 28, 2020**

(51) **LOC (13) Cl.** **30-99**

(52) **U.S. Cl.**
USPC **D30/199**; D10/104.1

(58) **Field of Classification Search**
USPC D30/144, 151, 152, 153, 155, 156, 199;
D10/104.1, 104.2, 105, 116.1; D14/137;
119/712, 714, 716, 717, 718, 719, 720,
119/722

CPC A01K 15/02; A01K 15/022
See application file for complete search history.

(56) **References Cited**

U.S. PATENT DOCUMENTS

D862,812 S *	10/2019	Jia	D30/199
D879,390 S *	3/2020	Cai	D30/199
D880,442 S *	4/2020	Wang	D14/137
D881,486 S *	4/2020	Li	D30/199
D889,424 S *	7/2020	Chen	D14/137
D898,308 S *	10/2020	Yang	D30/199
D904,702 S *	12/2020	Jia	D30/199
D914,628 S *	3/2021	Wang	D14/137
D914,629 S *	3/2021	Wang	D14/137
D925,485 S *	7/2021	Wang	D14/137
D927,442 S *	8/2021	Hong	D14/137
D931,246 S *	9/2021	Hong	D14/137
D932,453 S *	10/2021	Xiao	D14/137
D933,035 S *	10/2021	Yu	D14/137
D933,036 S *	10/2021	Hong	D14/137
D933,623 S *	10/2021	Liu	D14/137

OTHER PUBLICATIONS

“ROJECO Dog Training Collar” available Aug. 9, 2021, [online], [site visited Nov. 16, 2021]. Retrieved from Internet, URL:https://www.amazon.com/ROJECO-Remote%EF%BC%8CIPX7-Rechargeable-Beep%EF%BC%8CVibration-Shock%EF%BC%8CAdjustable/dp/B09C66D7PX/ref=sr_1_177 (Year: 2021).*

“GLEMEB Shock Collars” available Mar. 24, 2021, [online], [site visited Nov. 16, 2021]. Retrieved from Internet, URL:https://www.amazon.com/GLEMEB-Collars-Waterproof-Training-Vibration/dp/B08ZXQ3MSX/ref=sr_1_214_sspa (Year: 2021).*

“Dog Training Collars” available Nov. 22, 2019, [online], [site visited Nov. 16, 2021]. Retrieved from Internet, URL:https://www.amazon.com/BEBANG-Training-Vibration-Waterproof-Charging/dp/B081VBTTT2/ref=sr_1_237 (Year: 2019).*

* cited by examiner

Primary Examiner — W. A. Teddy Falloway

Assistant Examiner — Katrina N Gonzalez

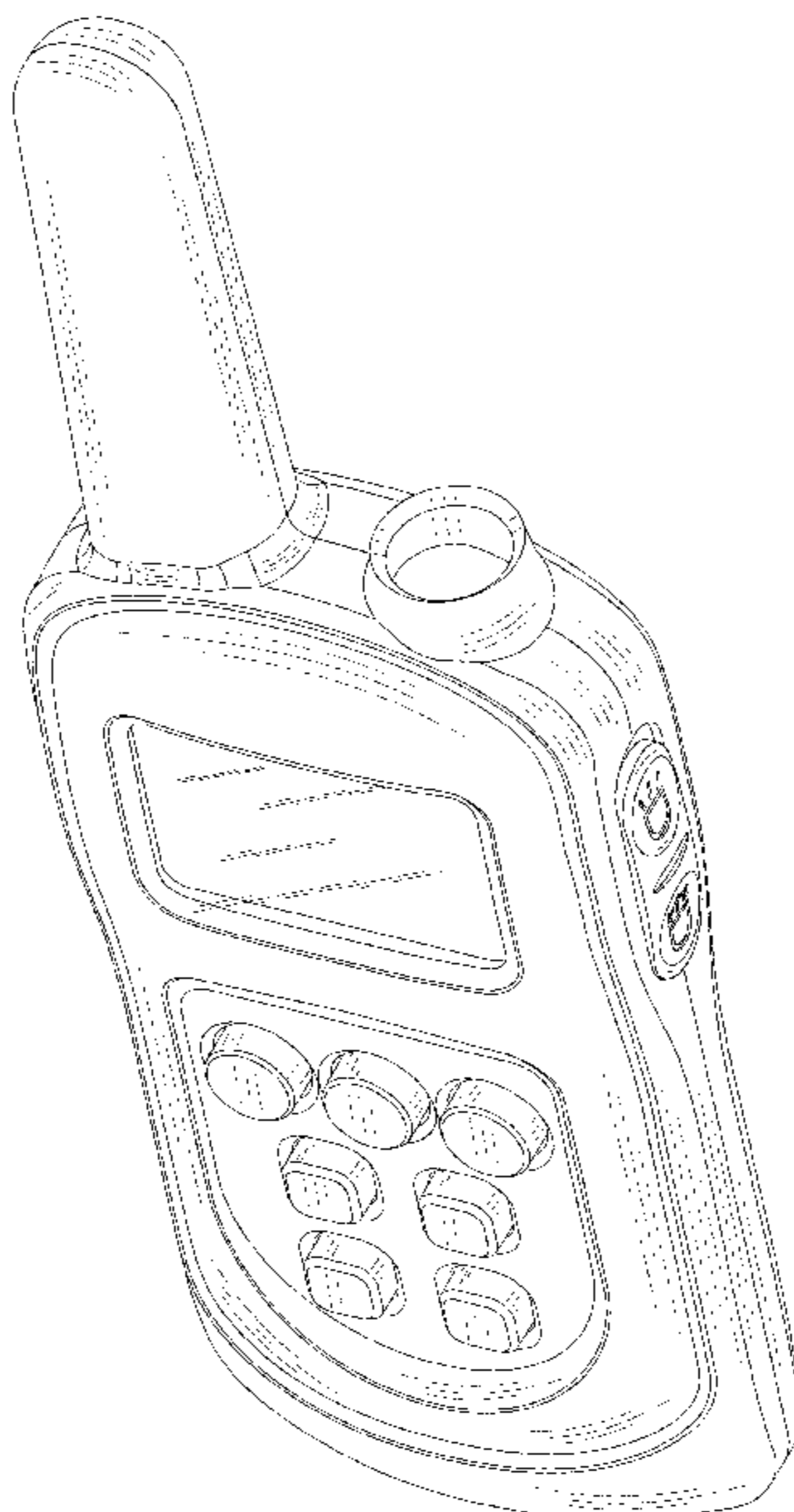
(57) **CLAIM**

The ornamental design for a transmitter of dog training collar, as shown and described.

DESCRIPTION

FIG. 1 is a perspective view of a transmitter of dog training collar showing my new design; FIG. 2 is a front view thereof; FIG. 3 is a rear view thereof; FIG. 4 is a left side view thereof; FIG. 5 is a right side view thereof; FIG. 6 is a top plan view thereof; and, FIG. 7 is a bottom plan view thereof. The evenly-broken lines where present illustrate portions of the transmitter of dog training collar that form no part of the claimed design.

1 Claim, 7 Drawing Sheets



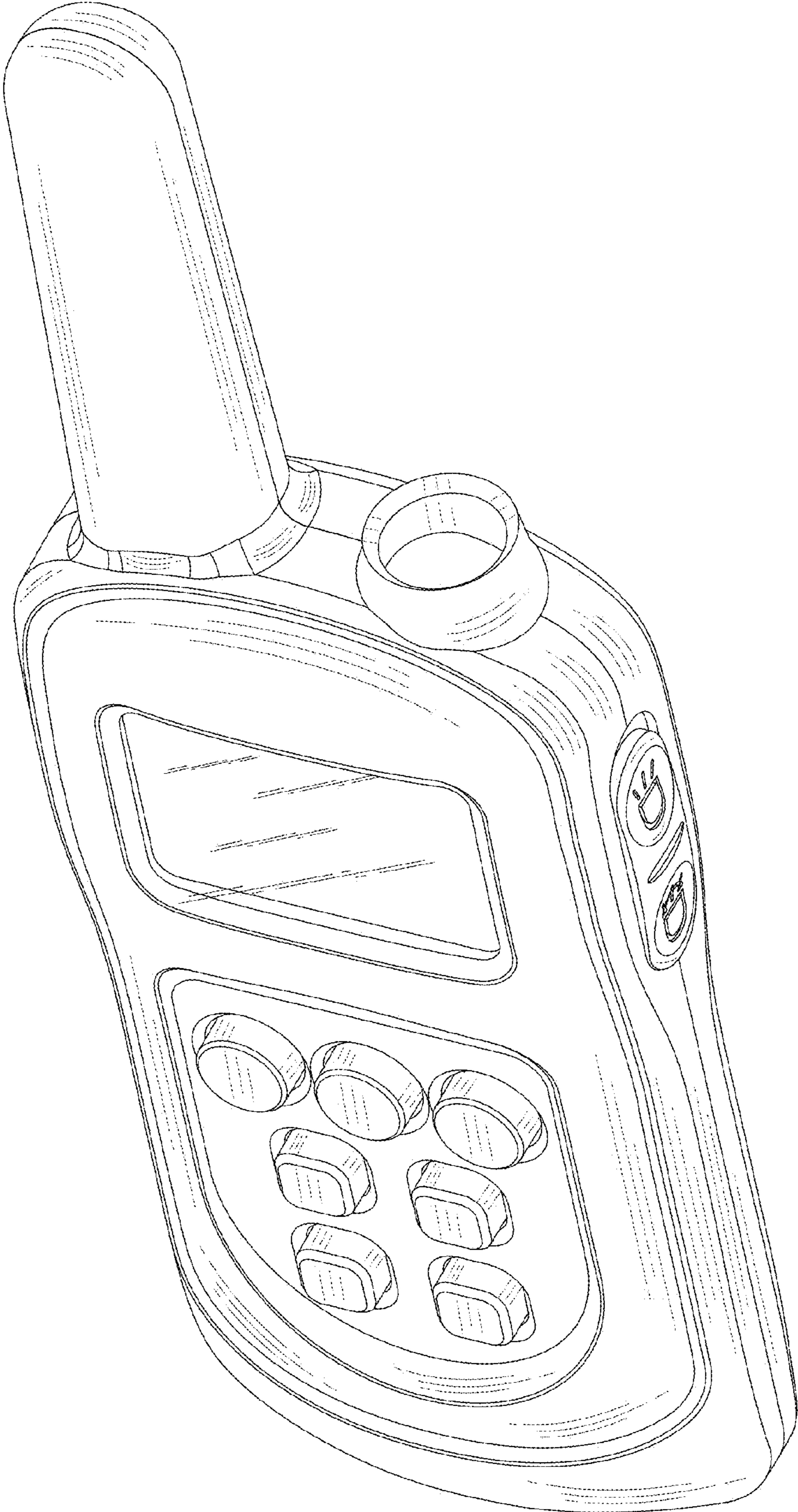


FIG.1

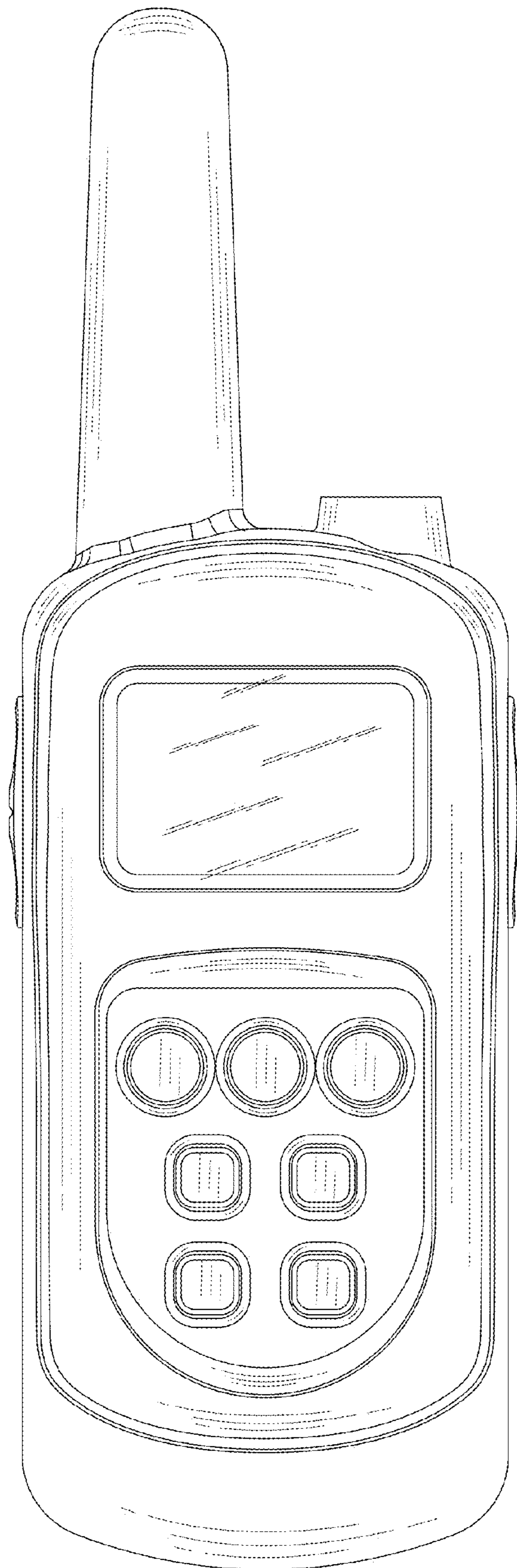


FIG.2

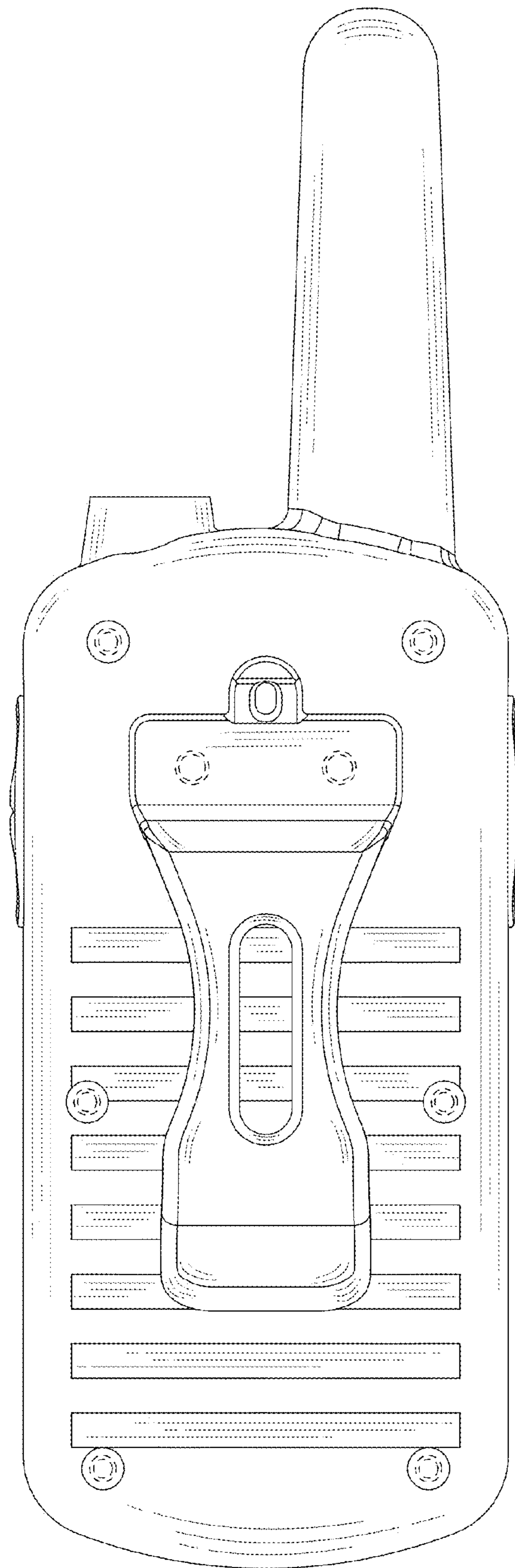


FIG.3

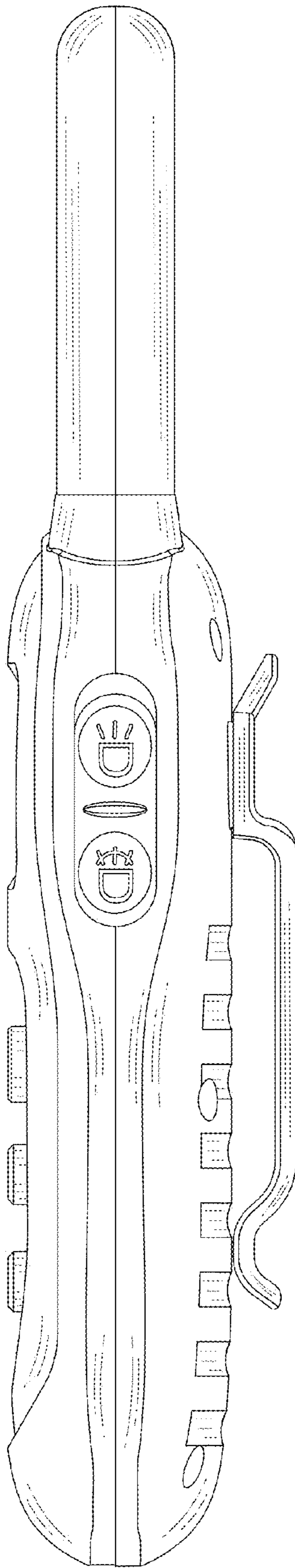


FIG. 4

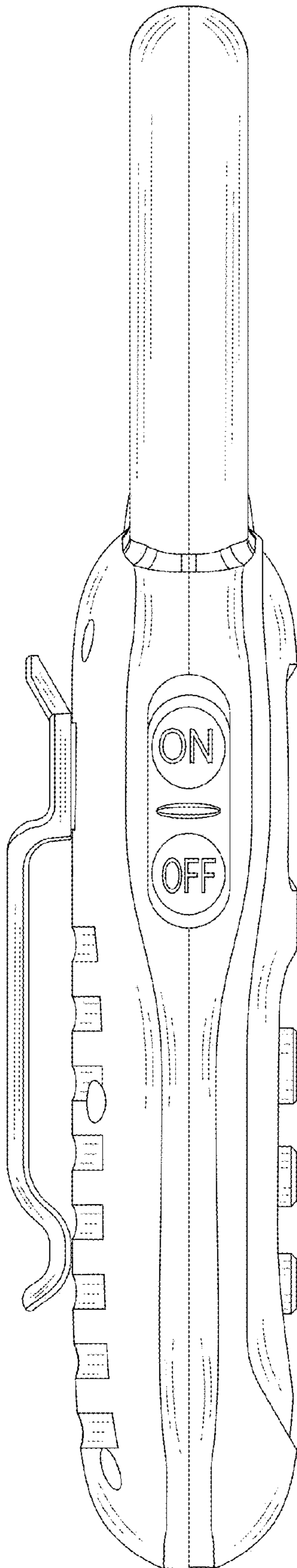


FIG.5

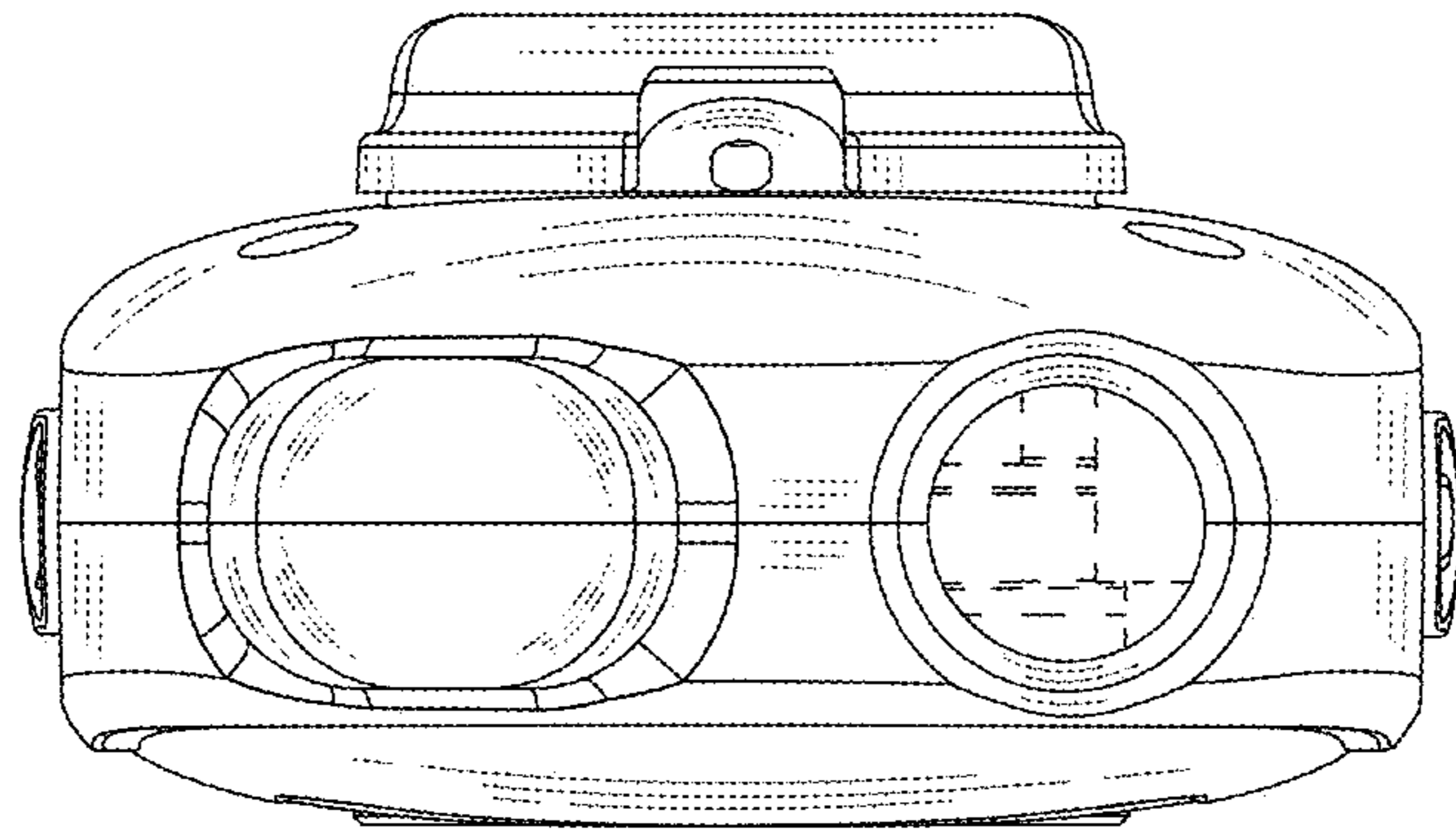


FIG.6

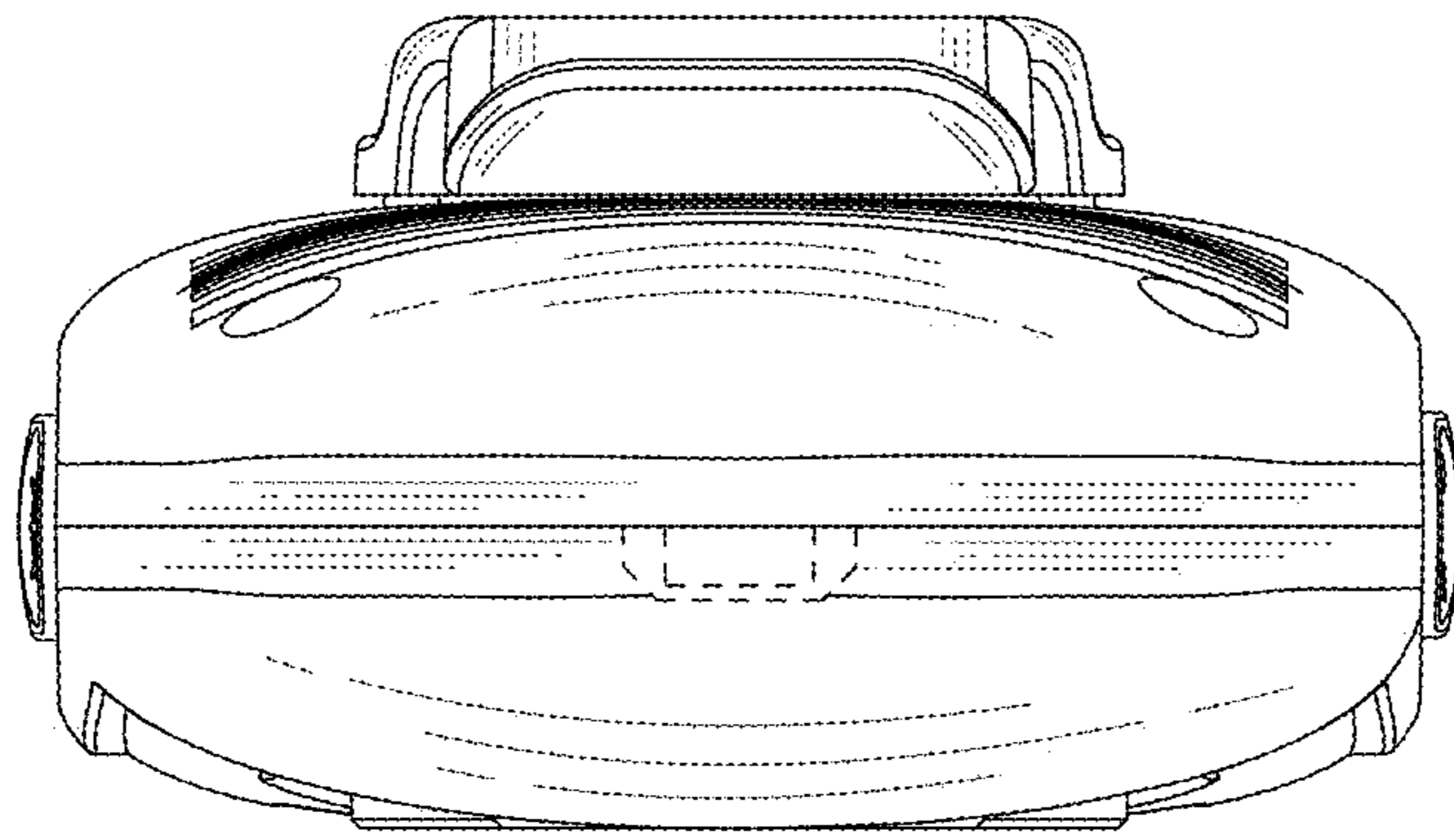


FIG.7