



US00D955667S

(12) **United States Design Patent**
Lin

(10) **Patent No.:** **US D955,667 S**
(45) **Date of Patent:** **** Jun. 21, 2022**

(54) **PET TOY**

(71) Applicant: **FUZHOU FEIBAO NETWORK TECHNOLOGY CO., LTD.**, Fuzhou (CN)

(72) Inventor: **Wei Lin**, Fuzhou (CN)

(73) Assignee: **FUZHOU FEIBAO NETWORK TECHNOLOGY CO., LTD.**, Fuzhou (CN)

(**) Term: **15 Years**

(21) Appl. No.: **29/797,310**

(22) Filed: **Jun. 30, 2021**

(51) **LOC (13) Cl.** **30-99**

(52) **U.S. Cl.**
USPC **D30/160**

(58) **Field of Classification Search**
USPC D30/158, 160, 199; 119/702, 703, 704, 119/707, 708, 709; D24/194; D1/130, D1/199
CPC A01K 15/027; A01K 15/025
See application file for complete search history.

(56) **References Cited**

U.S. PATENT DOCUMENTS

D495,465 S *	9/2004	Tepper	D1/127
D822,295 S	7/2018	Woods et al.		
D835,859 S *	12/2018	Steinkraus	D30/160
D845,560 S *	4/2019	Crane	D30/160
D853,056 S	7/2019	Loibl et al.		
D882,888 S *	4/2020	Steinkraus	D30/121
D919,901 S *	5/2021	Chen	D30/160
D930,289 S *	9/2021	Wilhelm	D30/160

D938,664 S *	12/2021	Wilhelm	D30/160
2009/0069848 A1 *	3/2009	Marcus	A61J 17/02 606/235
2012/0298048 A1 *	11/2012	Synytsya	A01K 15/025 119/702

OTHER PUBLICATIONS

“Nylabone Power Chew Textured Ring Flavor Medley Dog Chew Toy” available Jul. 25, 2013, [online], [site visited Mar. 20, 2022]. Retrieved from Internet, URL:https://www.chewy.com/nylabone-power-chew-textured-ring/dp/42981 (Year: 2013).*
“Nylabone Power Chew—amazon” available Jun. 17, 2010, [online], [site visited Mar. 20, 2022]. Retrieved from Internet, URL:https://www.amazon.com/Nylabone-Textured-Durable-Aggressive-Chewers/dp/B003SN5YKC?th=1 (Year: 2010).*

* cited by examiner

Primary Examiner — W. A. Teddy Falloway

Assistant Examiner — Katrina N Gonzalez

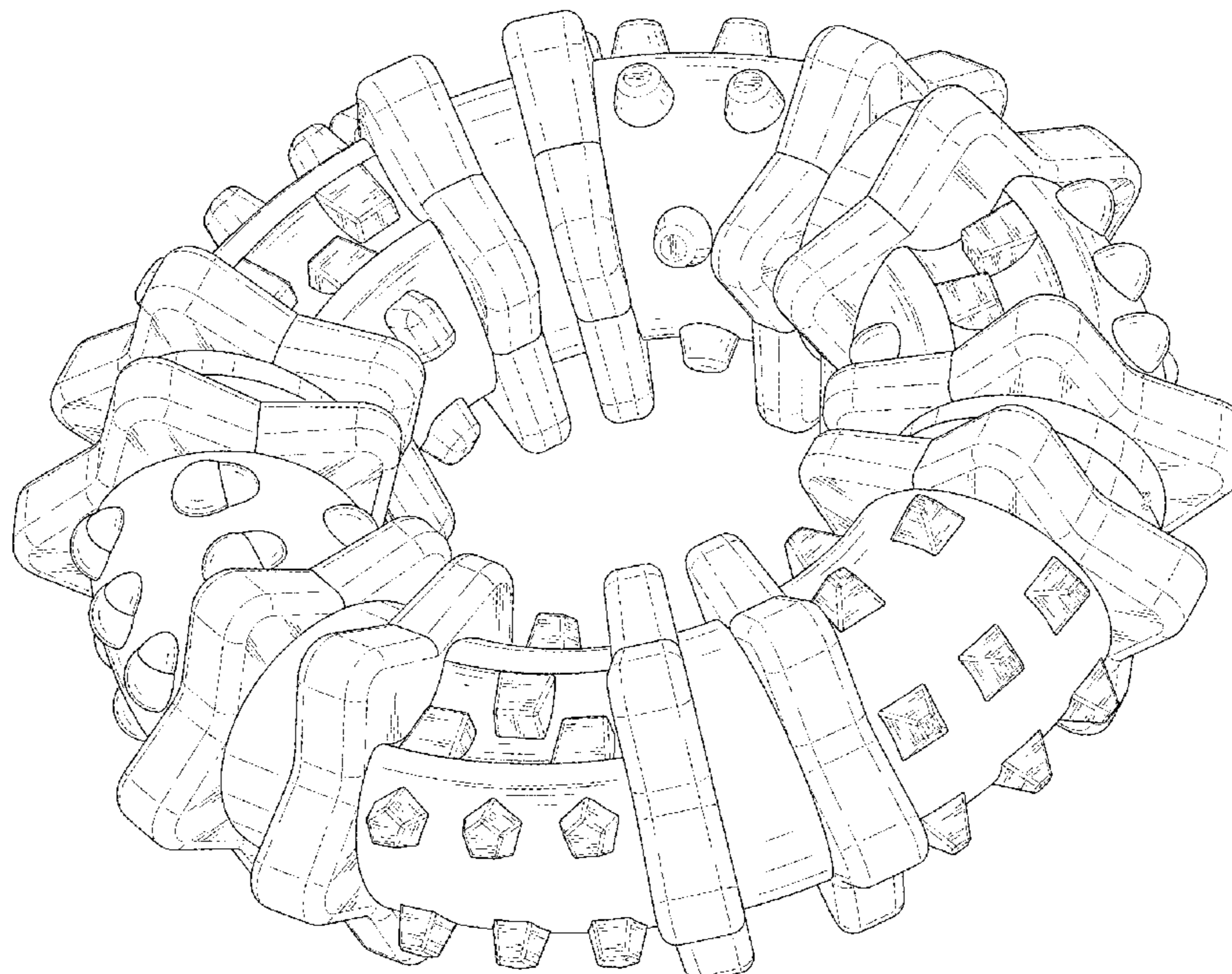
(57) **CLAIM**

The ornamental design for a pet toy, as shown and described.

DESCRIPTION

FIG. 1 is a perspective view of a pet toy showing my new design;
FIG. 2 is another perspective view thereof;
FIG. 3 is a front elevational view thereof;
FIG. 4 is a rear elevational view thereof;
FIG. 5 is a left side elevational view thereof;
FIG. 6 is a right side elevational view thereof;
FIG. 7 is a top plan view thereof; and,
FIG. 8 is a bottom plan view thereof.
The broken lines illustrate portions of the pet toy that form no part of the claimed design.

1 Claim, 8 Drawing Sheets



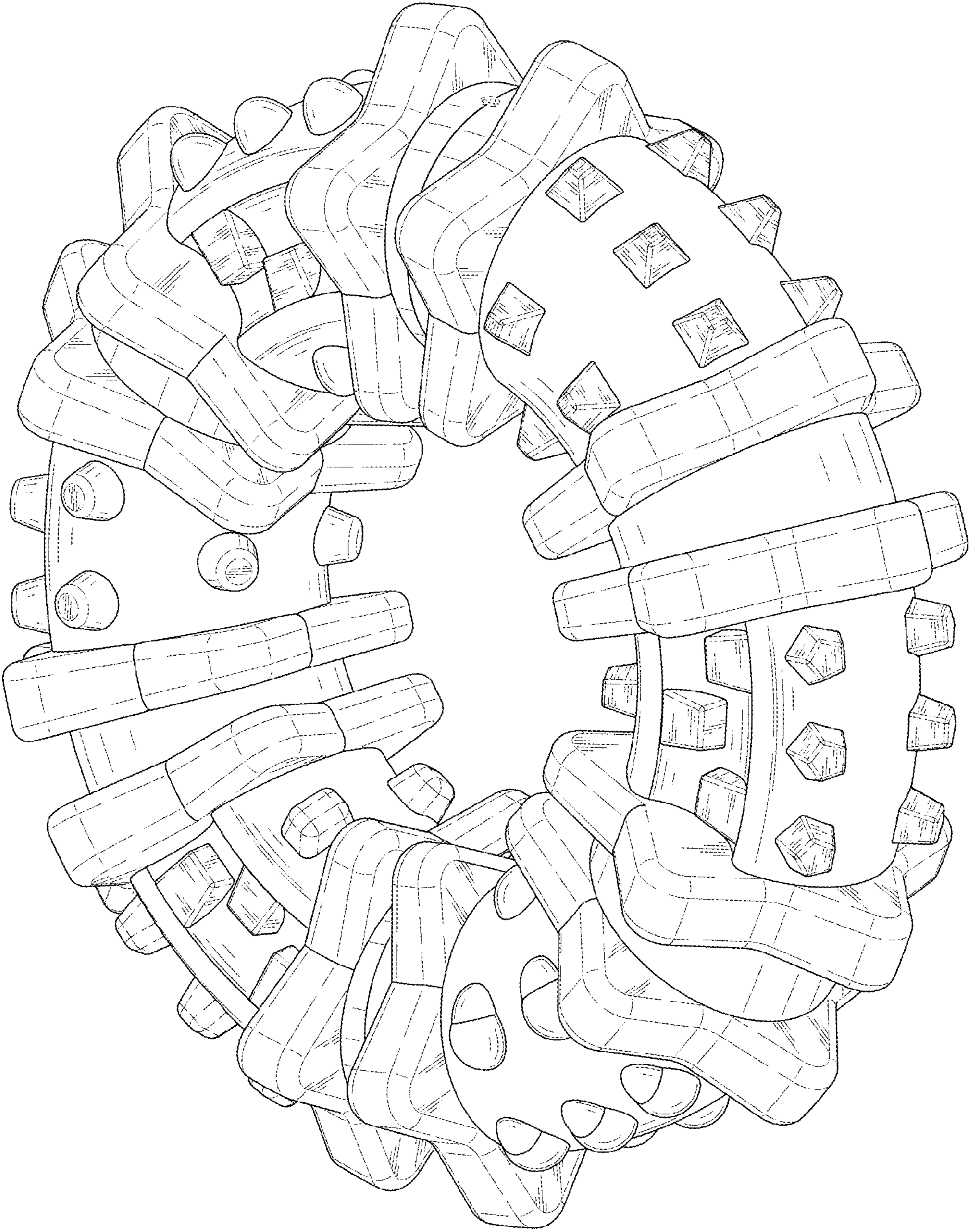


FIG. 1

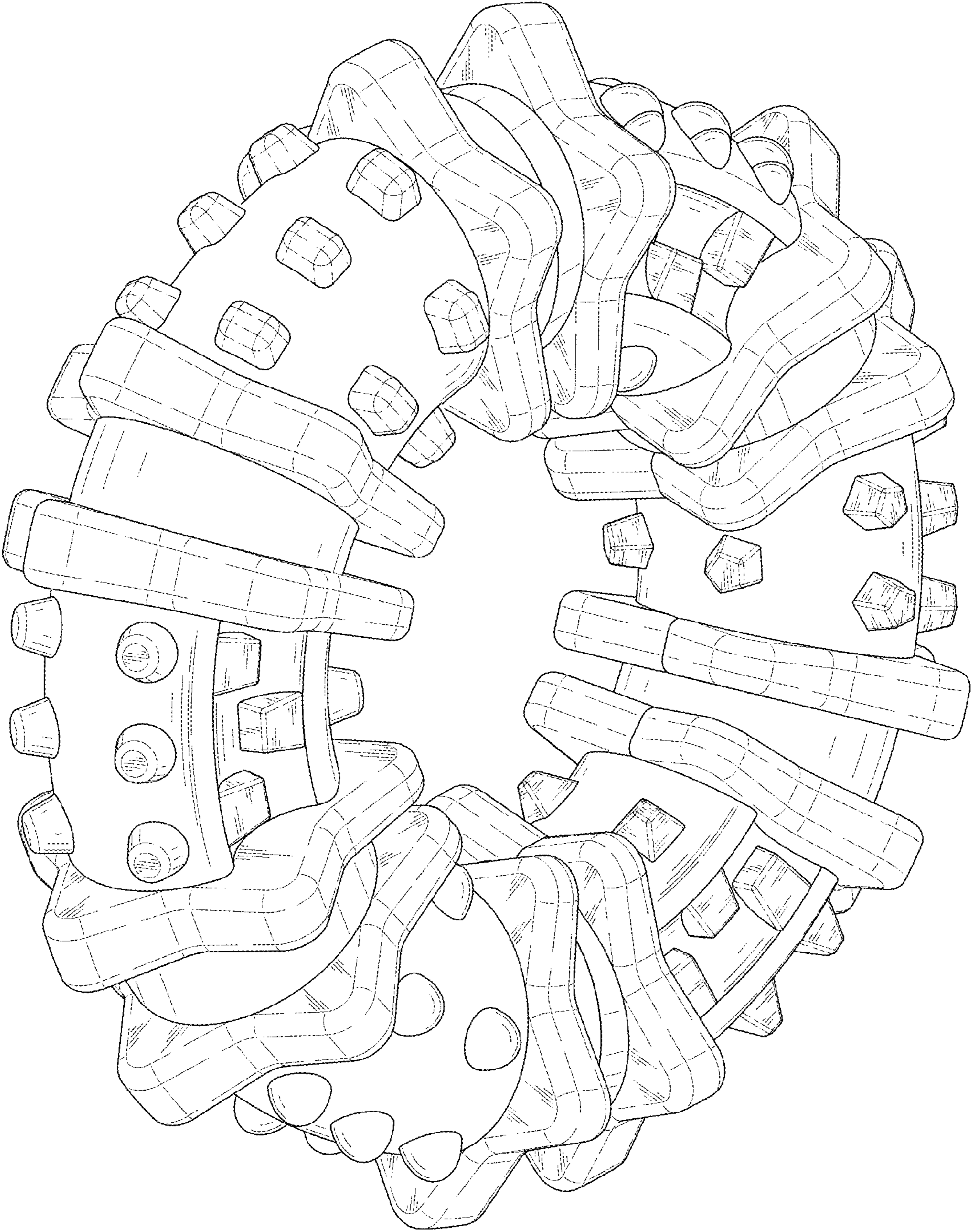


FIG. 2

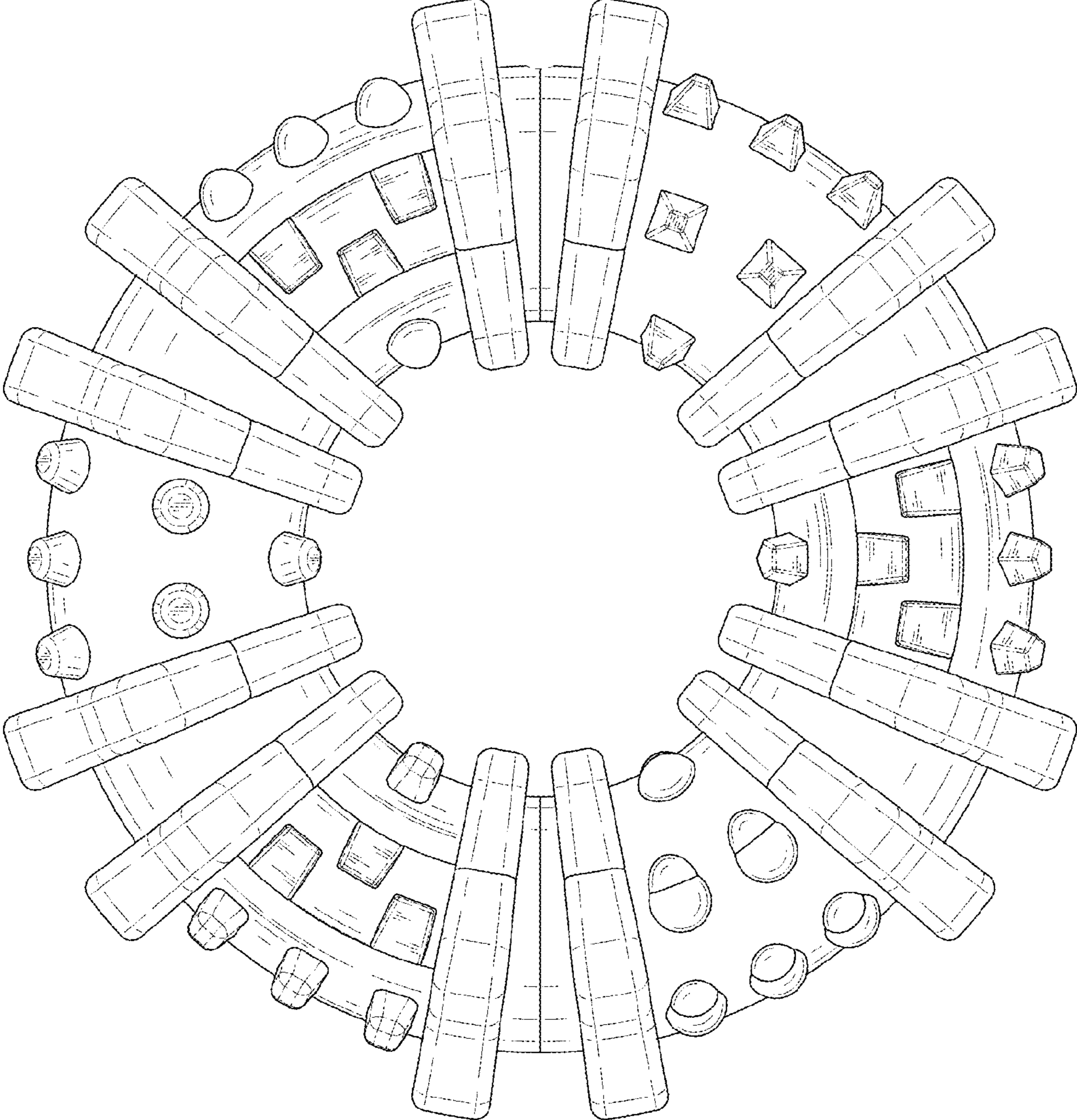


FIG. 3

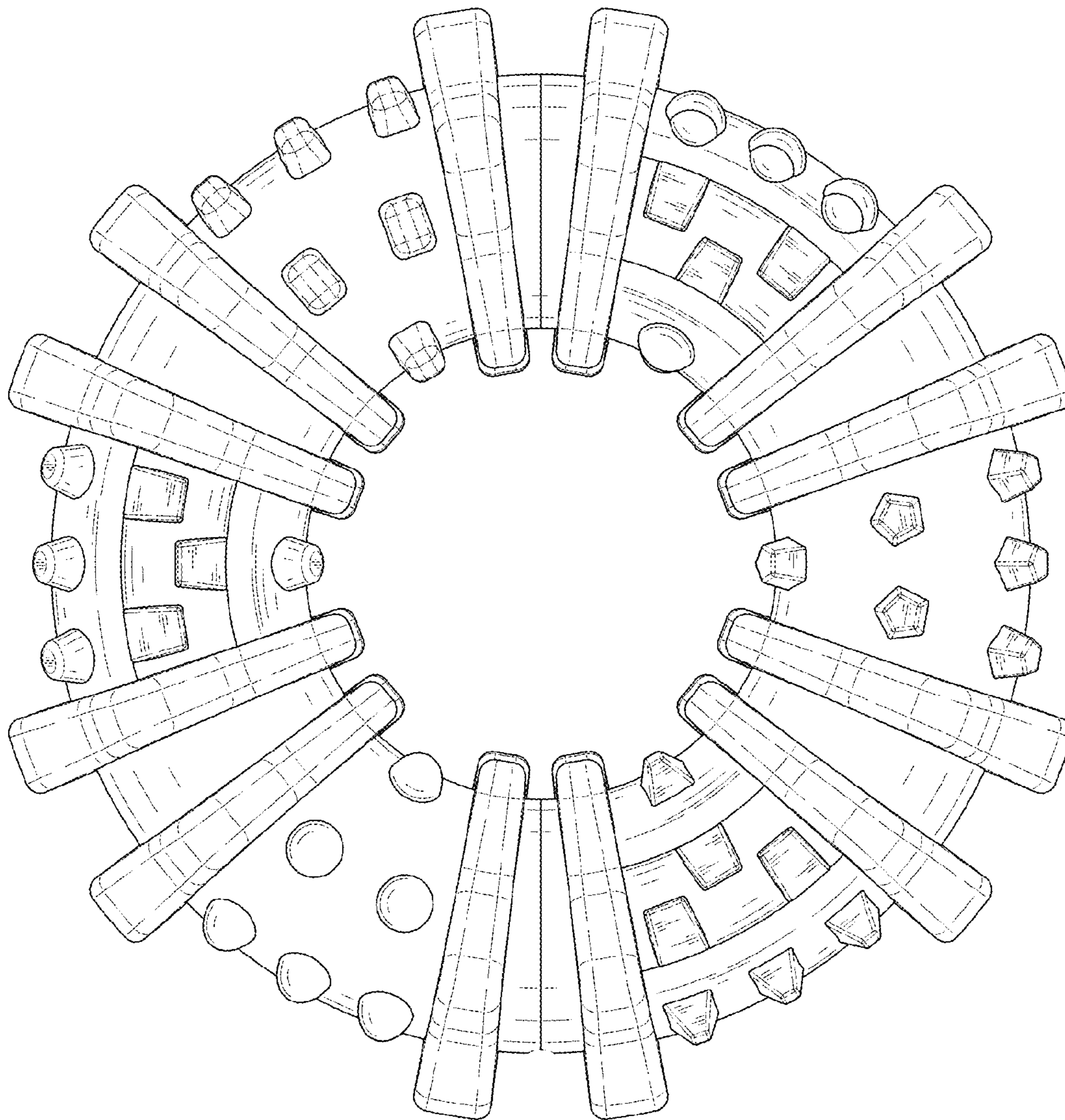


FIG. 4

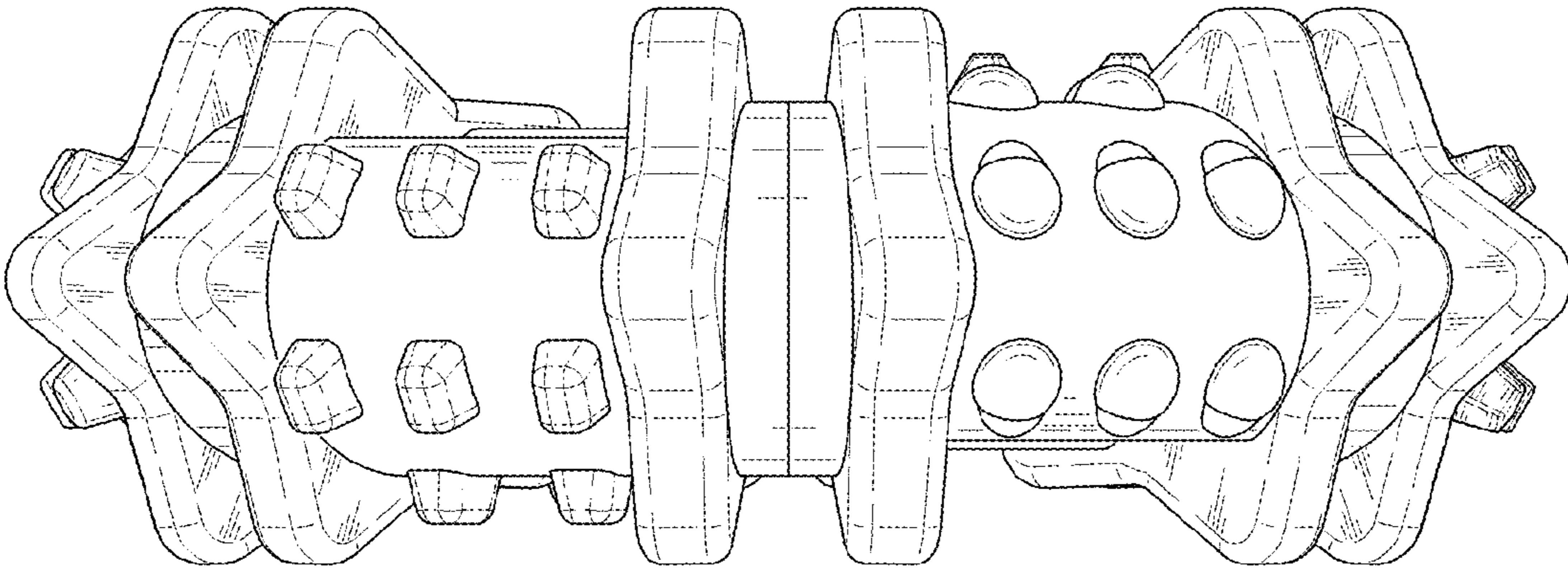


FIG. 5

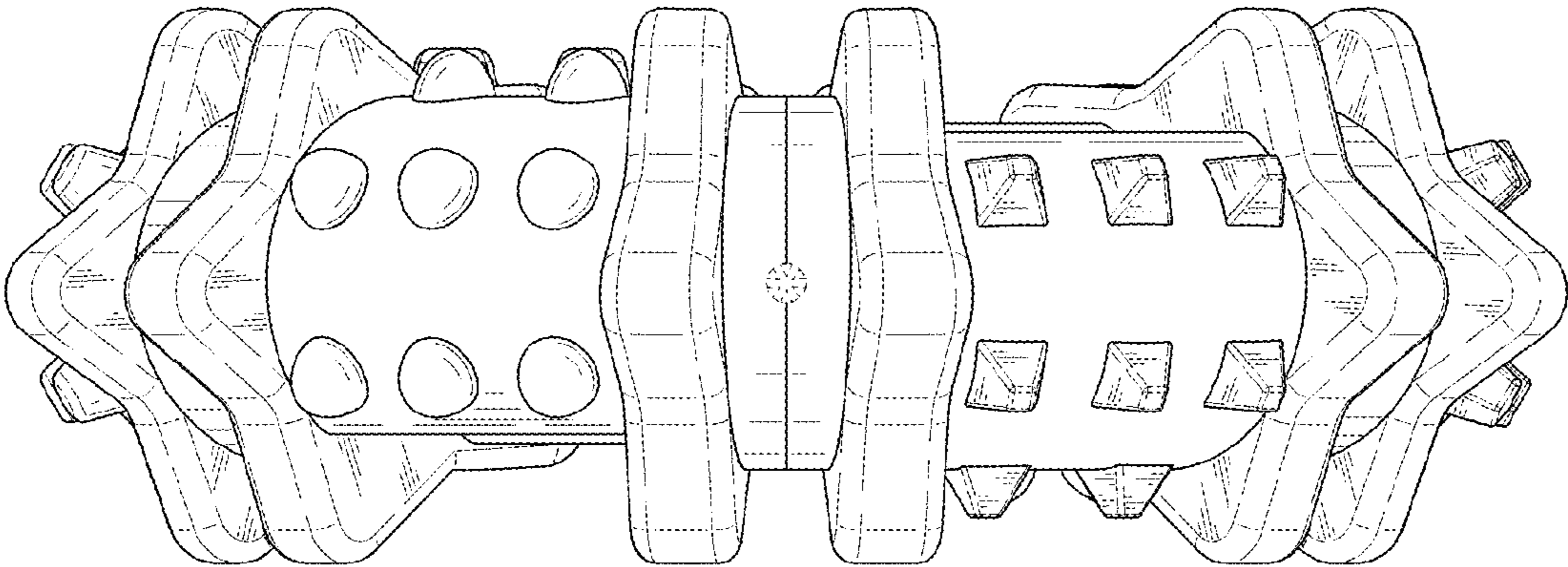


FIG. 6

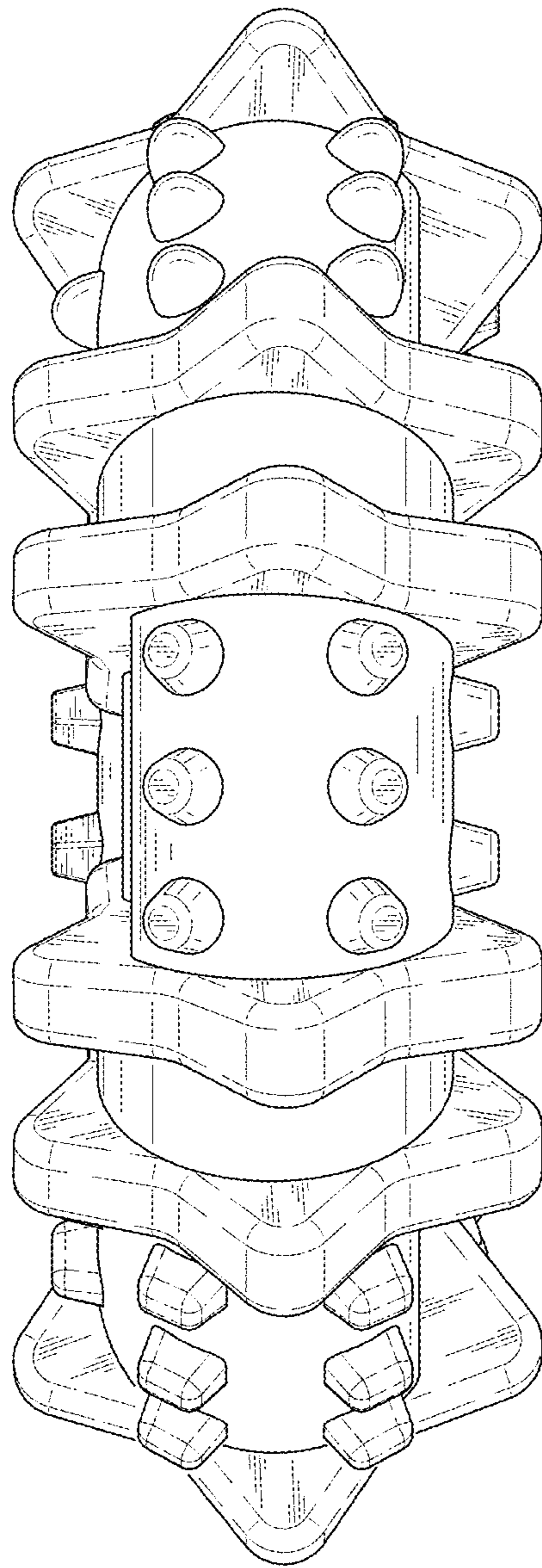


FIG. 7

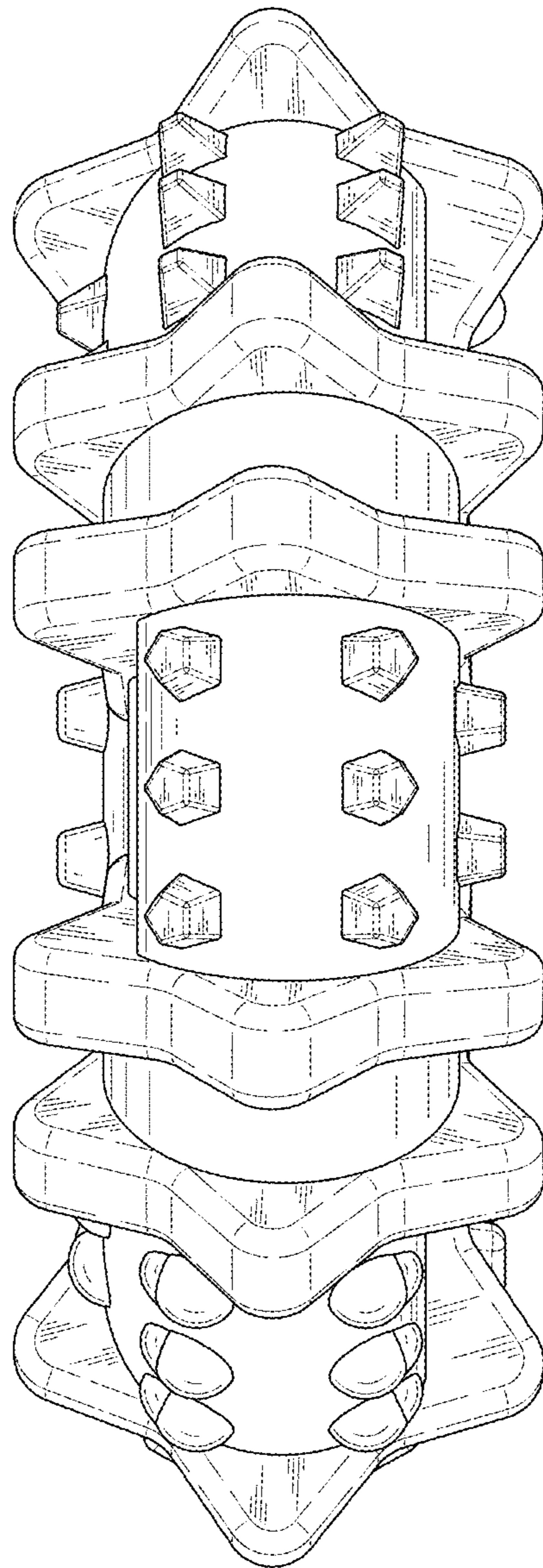


FIG. 8