



US00D955666S

(12) **United States Design Patent** (10) **Patent No.:** **US D955,666 S**  
**Tu** (45) **Date of Patent:** **\*\* Jun. 21, 2022**

(54) **LASER TOY FOR CATS**

(71) Applicant: **Zhushi Tu**, Hubei (CN)

(72) Inventor: **Zhushi Tu**, Hubei (CN)

(\*\*) Term: **15 Years**

(21) Appl. No.: **29/750,925**

(22) Filed: **Sep. 17, 2020**

(30) **Foreign Application Priority Data**

Apr. 27, 2020 (CN) ..... 202030180064.0

(51) **LOC (13) Cl.** ..... **30-99**

(52) **U.S. Cl.**  
USPC ..... **D30/160**

(58) **Field of Classification Search**  
USPC ..... D30/160, 112, 119; D21/386, 398, 484,  
D21/707, 712, 713; D24/193, 194, 195,  
D24/211-214; D15/199  
CPC ..... A01K 15/025; A01K 15/02; A01K 15/029  
See application file for complete search history.

(56) **References Cited**

**U.S. PATENT DOCUMENTS**

- 6,505,576 B2 \* 1/2003 Nathanson ..... A01K 15/025  
119/702
- D621,103 S \* 8/2010 Kim ..... D30/160
- D646,443 S \* 10/2011 Cook ..... D26/37
- D678,631 S \* 3/2013 Paculdo ..... D30/160
- D679,460 S \* 4/2013 Paculdo ..... D30/160
- 8,438,999 B2 \* 5/2013 Hardi ..... A01K 27/009  
119/718
- D747,833 S \* 1/2016 Liu ..... D30/160
- 9,491,930 B2 \* 11/2016 Cook ..... A01K 15/025
- 9,565,835 B1 \* 2/2017 Nobile ..... A01K 15/025
- D782,125 S \* 3/2017 Tseng ..... D30/121
- D830,437 S \* 10/2018 Metta ..... D15/199
- D830,438 S \* 10/2018 Haddadin ..... D21/578

- D831,720 S \* 10/2018 Miao ..... D15/199
- 2012/0298049 A1 \* 11/2012 Cook ..... A01K 15/025  
119/707
- 2014/0283757 A1 \* 9/2014 Davison, III ..... A01K 15/025  
119/707

**OTHER PUBLICATIONS**

PetSafe Bolt—Laser Pointer Cat Toy, posted at amazon.com, earliest date available Dec. 31, 2003, [online], acquired on Jan. 15, 2022, Available on internet. url: <https://www.amazon.com/PetSafe-Bolt-Laser-Cat-Automatic/dp/B0021L8W6K?tag=rovetrx33-20> (Year: 2003).\*

(Continued)

*Primary Examiner* — Sheryl Lane  
*Assistant Examiner* — Aula Soroush

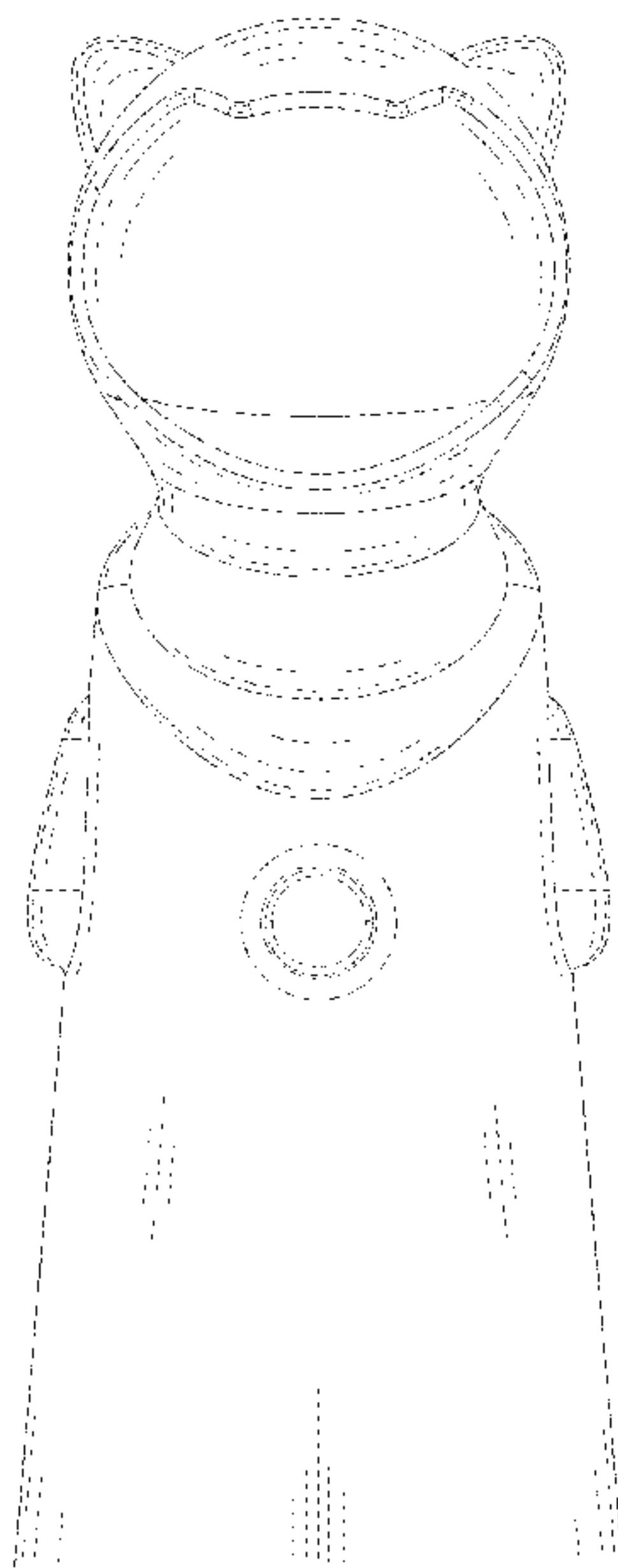
(57) **CLAIM**

The ornamental design for a laser toy for cats, as shown and described.

**DESCRIPTION**

FIG. 1 is a front elevational view of a laser toy for cats showing my new design;  
FIG. 2 is a rear elevational view thereof;  
FIG. 3 is a left side view thereof;  
FIG. 4 is a right side view thereof;  
FIG. 5 is a top plan view thereof;  
FIG. 6 is a bottom plan view thereof;  
FIG. 7 is a top, front and right side perspective view thereof; and,  
FIG. 8 is a top, rear and right side perspective view thereof. The broken lines in the drawings illustrate portions of the laser toy for cats which form no part of the claimed design.

**1 Claim, 8 Drawing Sheets**



(56)

**References Cited**

OTHER PUBLICATIONS

COPL Automatic Cat Toys Interactive, posted at amazon.com, earliest date available Apr. 24, 2021, [online], acquired on Mar. 1, 2022, Available on internet. url:<https://www.amazon.com/Automatic-Interactive-Handheld-Electronic-Laserlampje/dp/B093DDTH9R> (Year: 2021).\*

PetDroid Cat Laser Toy Automatic, posted at amazon.com, earliest date available Mar. 15, 2018, [online], acquired on Mar. 1, 2022, Available on internet. url:<https://www.amazon.com/PetDroid-Activated-Automatic-Rechargeable-Battery/dp/B07XRH6X3F> (Year: 2018).\*

\* cited by examiner

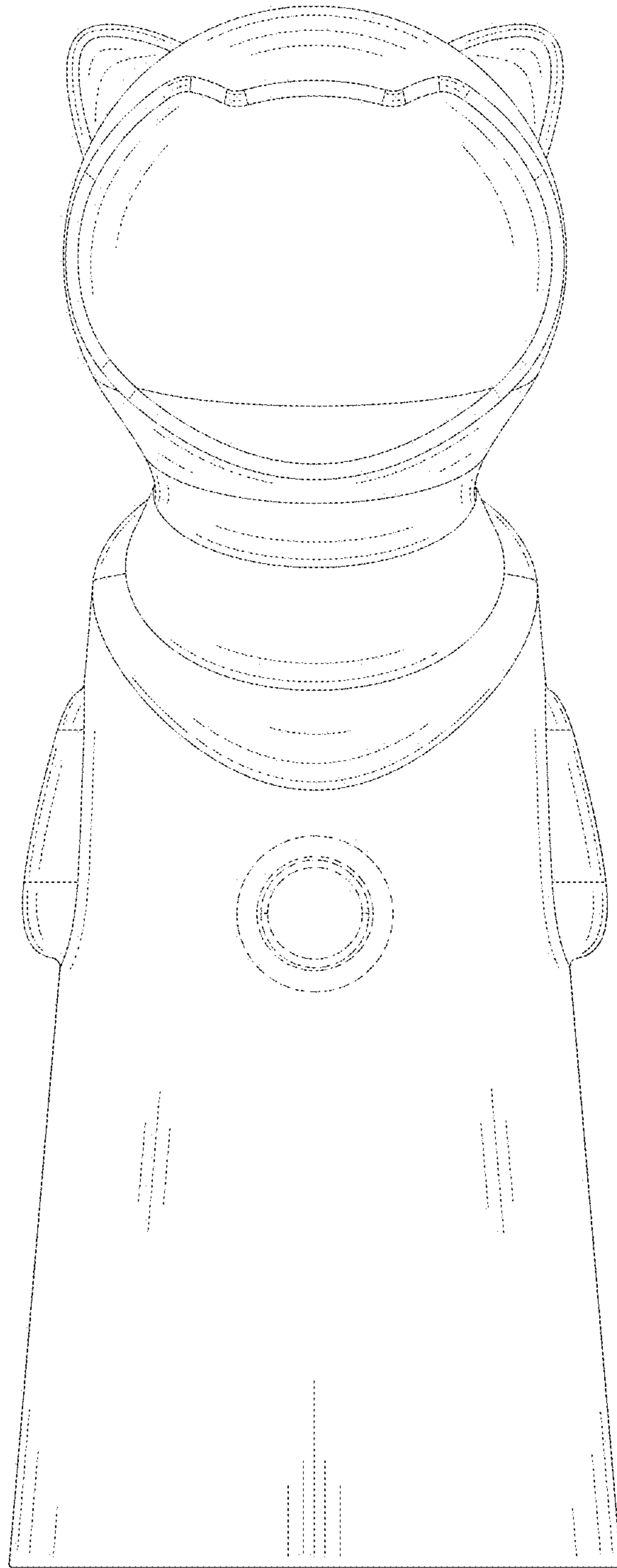


Fig.1

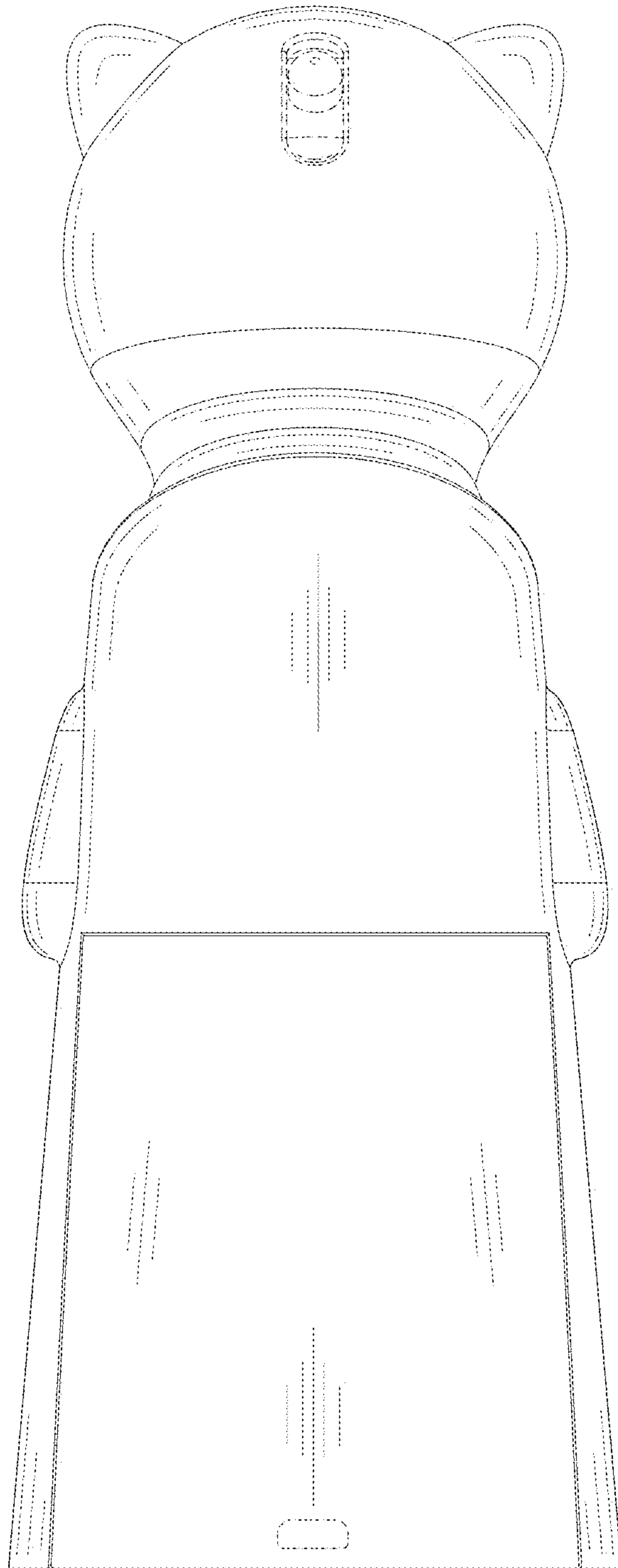


Fig.2

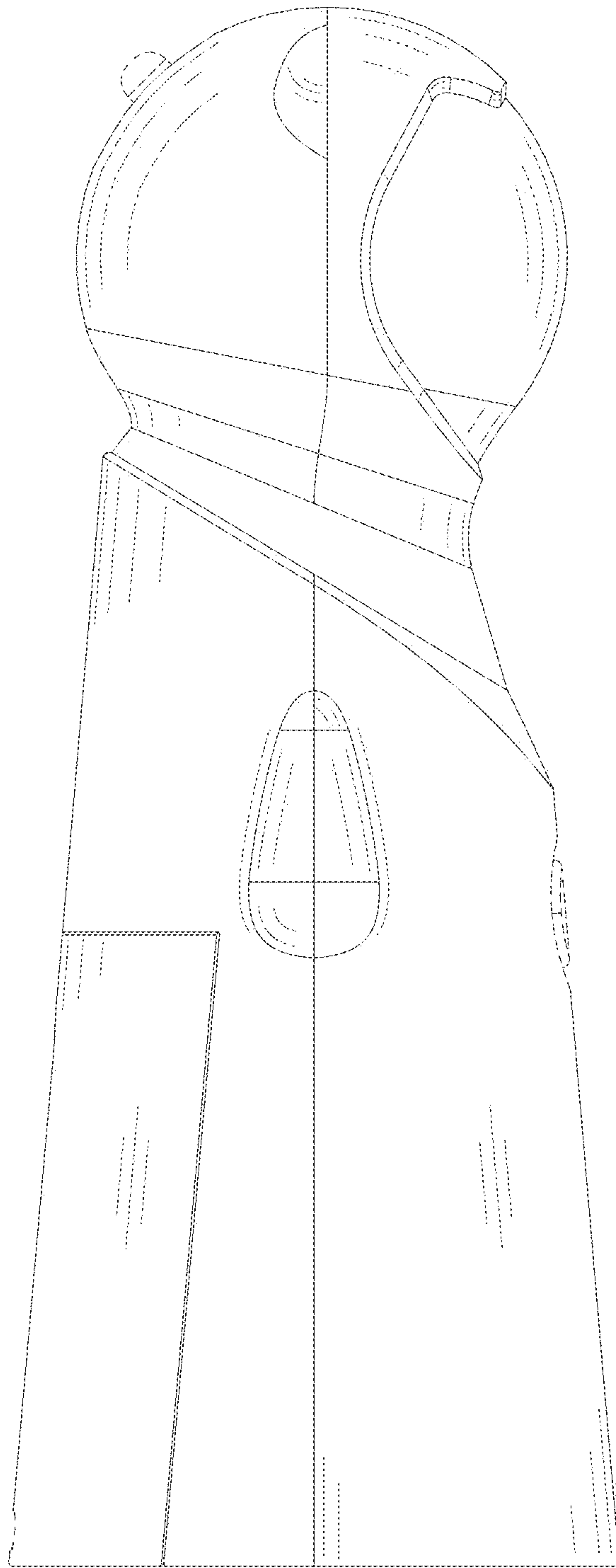


Fig.3

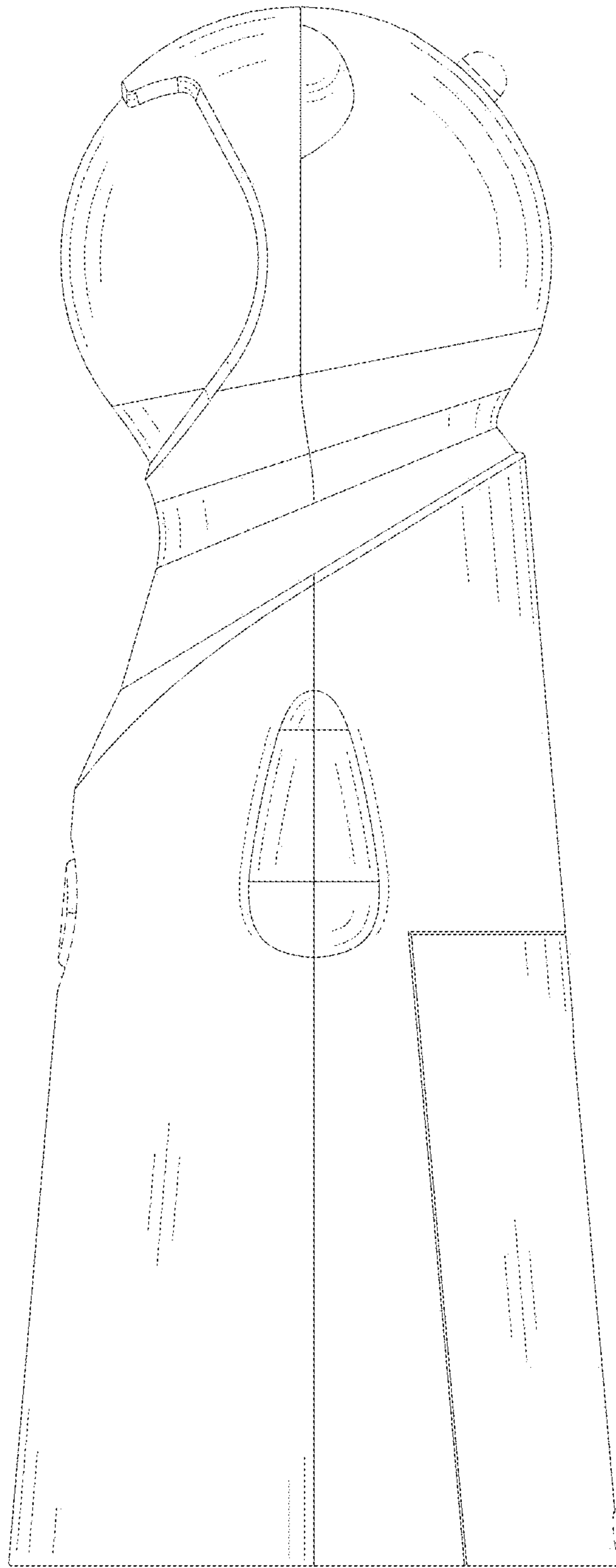


Fig.4

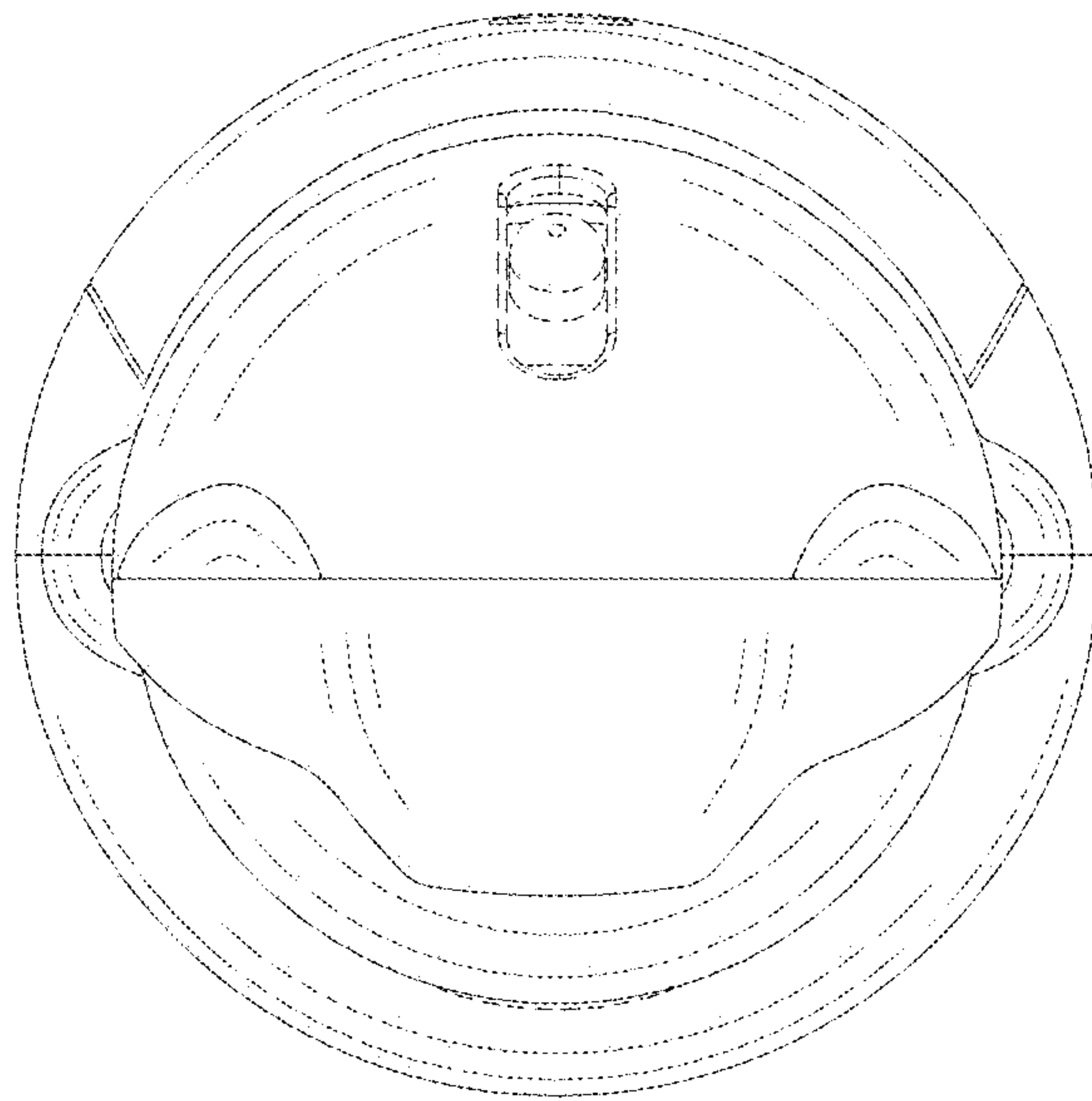


Fig.5



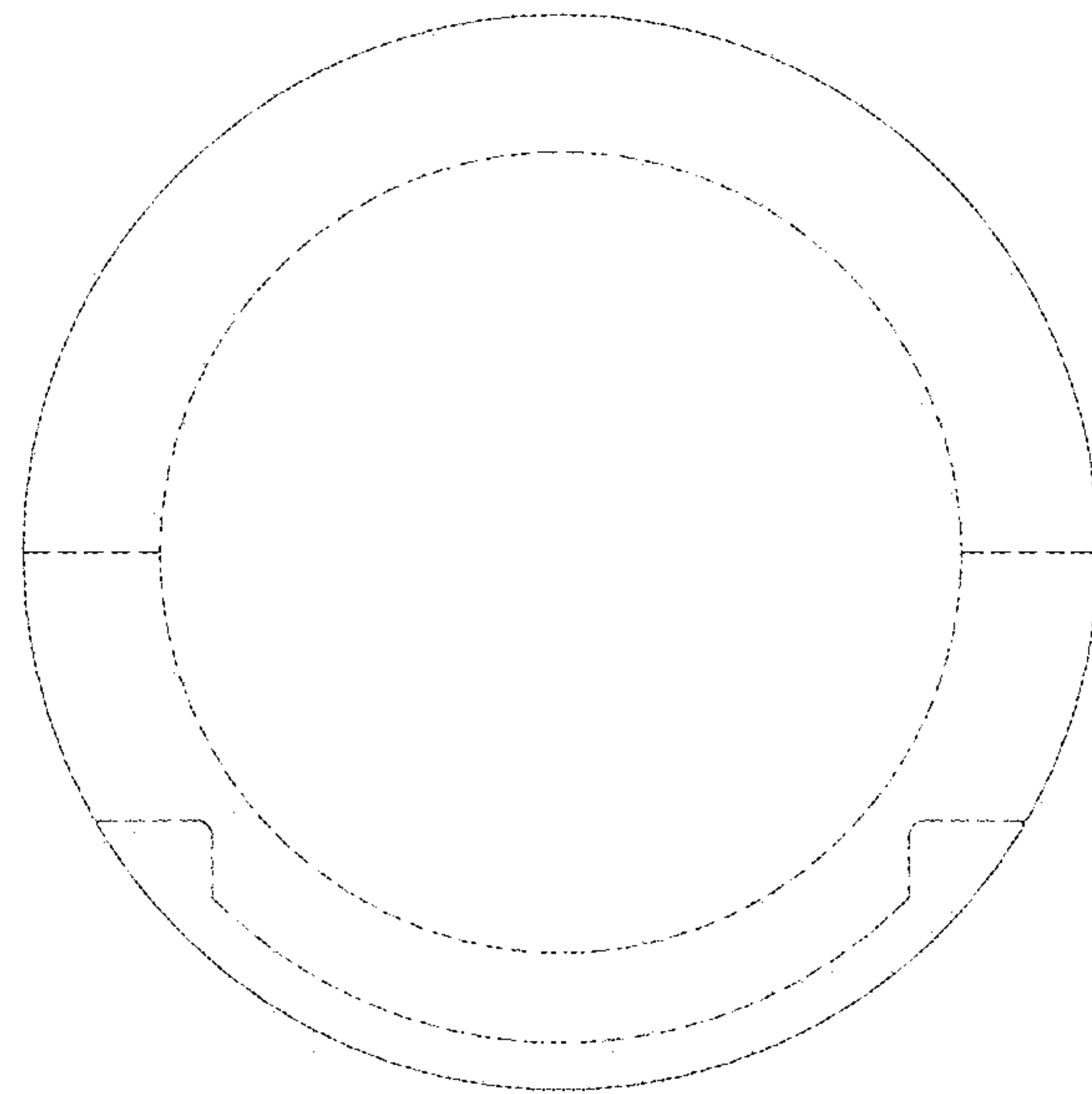


Fig.6



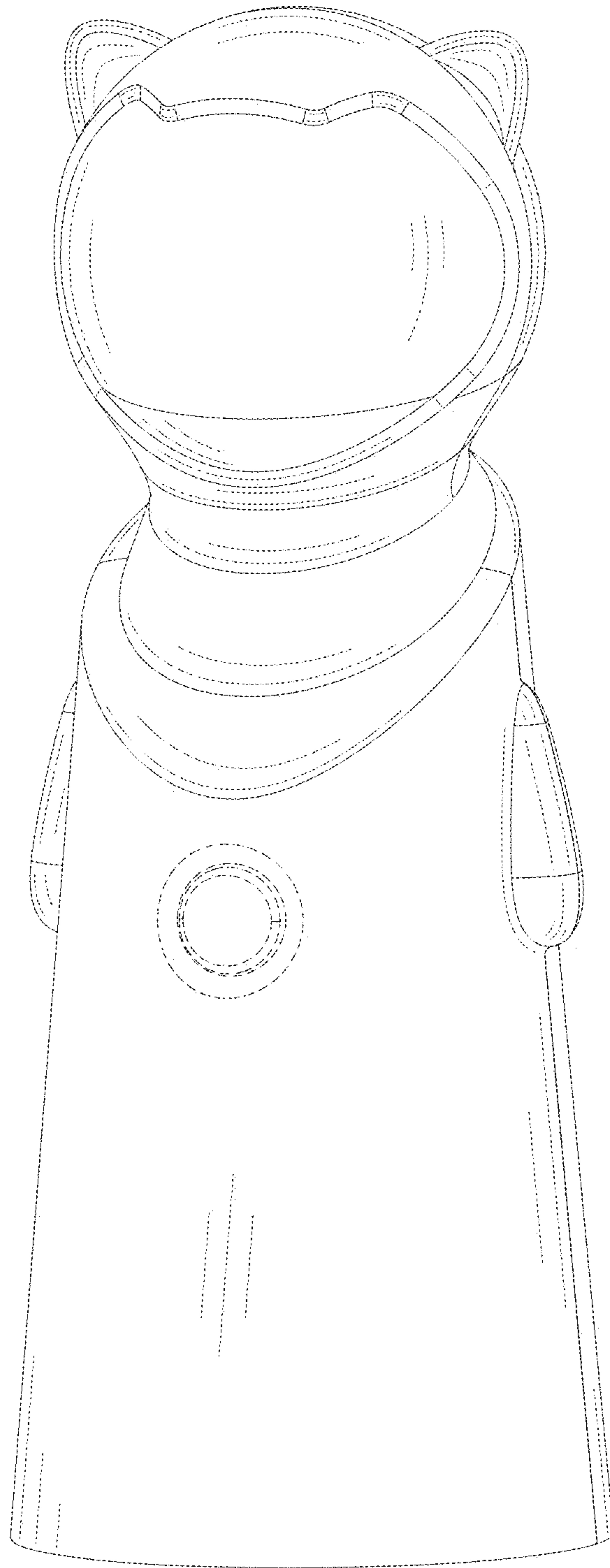


Fig.7

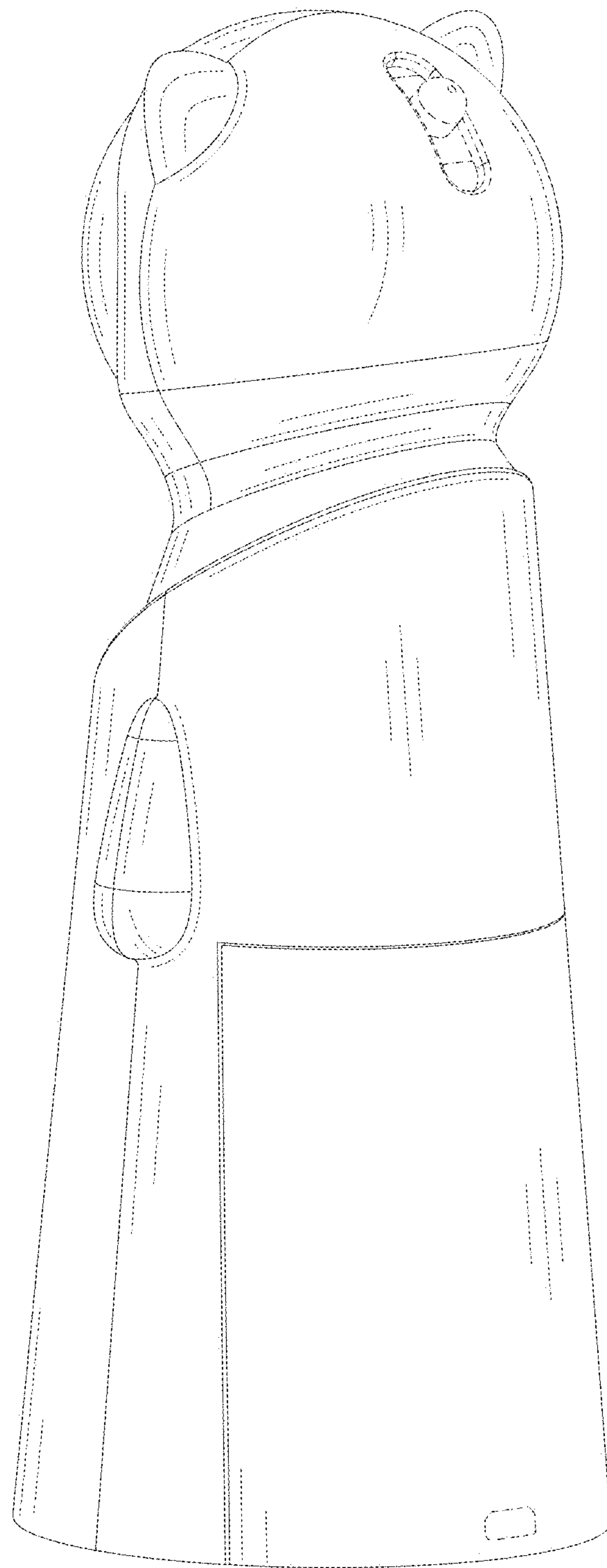


Fig.8