



US00D955663S

(12) **United States Design Patent**
Zhang

(10) **Patent No.:** **US D955,663 S**

(45) **Date of Patent:** **** *Jun. 21, 2022**

(54) **PET CARRYING BAG**

(71) Applicant: **Chengguo Zhang**, Shanghai (CN)

(72) Inventor: **Chengguo Zhang**, Shanghai (CN)

(*) Notice: This patent is subject to a terminal disclaimer.

(**) Term: **15 Years**

(21) Appl. No.: **29/658,121**

(22) Filed: **Jul. 27, 2018**

(51) **LOC (13) Cl.** **30-02**

(52) **U.S. Cl.**
USPC **D30/109**

(58) **Field of Classification Search**
USPC D30/108-120; D3/201, 203.1, 203.6,
D3/203.7, 213, 216, 217, 232, 242, 243,
D3/245-246, 273, 276, 269, 271.2, 274,
D3/283, 289-290, 301, 303, 900, 902,
D3/904

CPC ... A01K 1/00; A01K 1/01; A01K 1/02; A01K
1/03; A01K 31/00; A01K 31/06; A01K
31/07; A01K 31/08; A01K 31/14; A01K
31/18; A01K 5/00; A01K 29/00; A47K
11/02; A45C 3/00; A45C 3/06; A45C
2003/008; A45C 2003/007; A45F 3/00;
A45F 3/04; A45F 3/02

See application file for complete search history.

(56) **References Cited**

U.S. PATENT DOCUMENTS

D387,508 S *	12/1997	Van Engers	D30/109
D398,082 S *	9/1998	Martz	D3/273
D398,083 S *	9/1998	Martz	D3/273
5,941,195 A *	8/1999	Martz	A01K 1/0254 119/497
D472,378 S *	4/2003	Hassett	D3/263
7,210,426 B2 *	5/2007	Yeung	A01K 1/0254 119/497
D575,461 S *	8/2008	Cannon	D3/273

D620,708 S *	8/2010	Sanz	D3/276
D649,719 S *	11/2011	Siklosi	D30/109
8,171,888 B2 *	5/2012	Chou	A01K 1/0254 119/497
D662,263 S *	6/2012	Chau	D30/109
D671,317 S *	11/2012	Sabounjian	D3/285
D685,952 S *	7/2013	Dixon	D30/109
D688,457 S *	8/2013	Harris	D3/285
D688,458 S *	8/2013	Harris	D3/285
D698,150 S *	1/2014	Sabounjian	D3/285
D715,500 S *	10/2014	Renforth	D30/109
D722,728 S *	2/2015	Renforth	D30/109
D724,792 S *	3/2015	Renforth	D30/109

(Continued)

Primary Examiner — Sheryl Lane

Assistant Examiner — Aula Soroush

(74) *Attorney, Agent, or Firm* — Yanling Jiang

(57) **CLAIM**

The ornamental design for the pet carrying bag, as shown and described.

DESCRIPTION

FIG. 1 is a front elevational view of a pet carrying bag showing my new design;
 FIG. 2 is rear elevational view thereof;
 FIG. 3 is a front right perspective view thereof where the small tabs are in an alternate configuration.
 FIG. 4 is a rear left perspective view thereof;
 FIG. 5 is a left side elevational view thereof;
 FIG. 6 is a right side elevational view thereof;
 FIG. 7 is a top plan view thereof; and,
 FIG. 8 is a bottom plan view thereof.

The broken line showing of carrying strap is for the purpose of illustrating possible use of the small tabs and forms no part of the claimed design.

The broken line showing of feet on the bottom is for the purpose of illustrating possible bottom configuration and forms no part of the claimed design.

1 Claim, 8 Drawing Sheets



(56)

References Cited

U.S. PATENT DOCUMENTS

D732,824 S * 6/2015 Tzortzis D3/288
9,259,066 B2 * 2/2016 Pratt A45C 13/04
D759,319 S * 6/2016 Chang D30/109
D782,820 S * 4/2017 Thompson D3/283
D798,589 S * 10/2017 Boroski D3/243
D800,451 S * 10/2017 Collins D3/254
D804,738 S * 12/2017 Nourollah D30/109
D808,084 S * 1/2018 Lu D30/109
9,901,153 B2 * 2/2018 Nash A45F 3/04
D818,204 S * 5/2018 Renforth D30/109

* cited by examiner

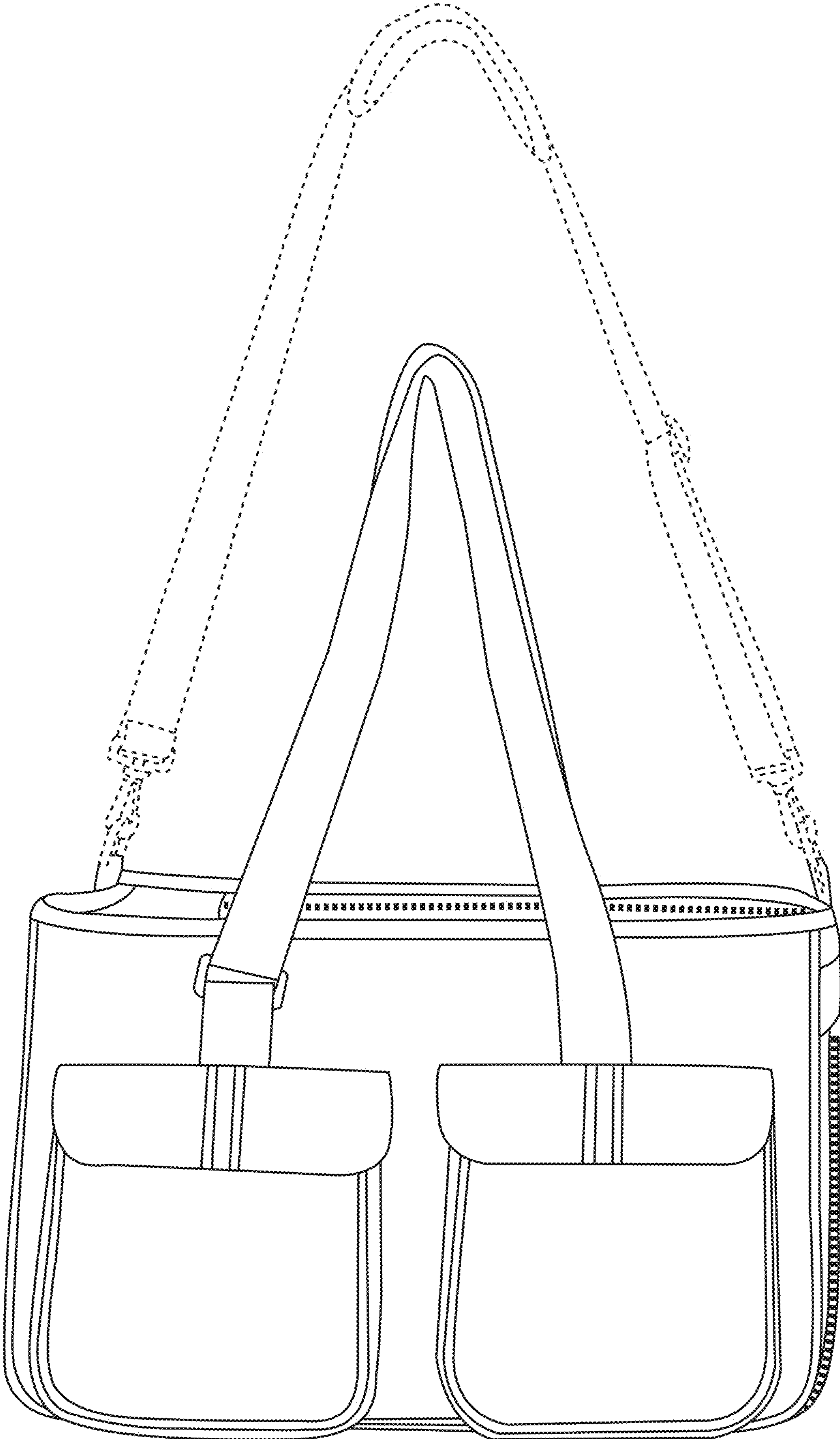


FIG. 1

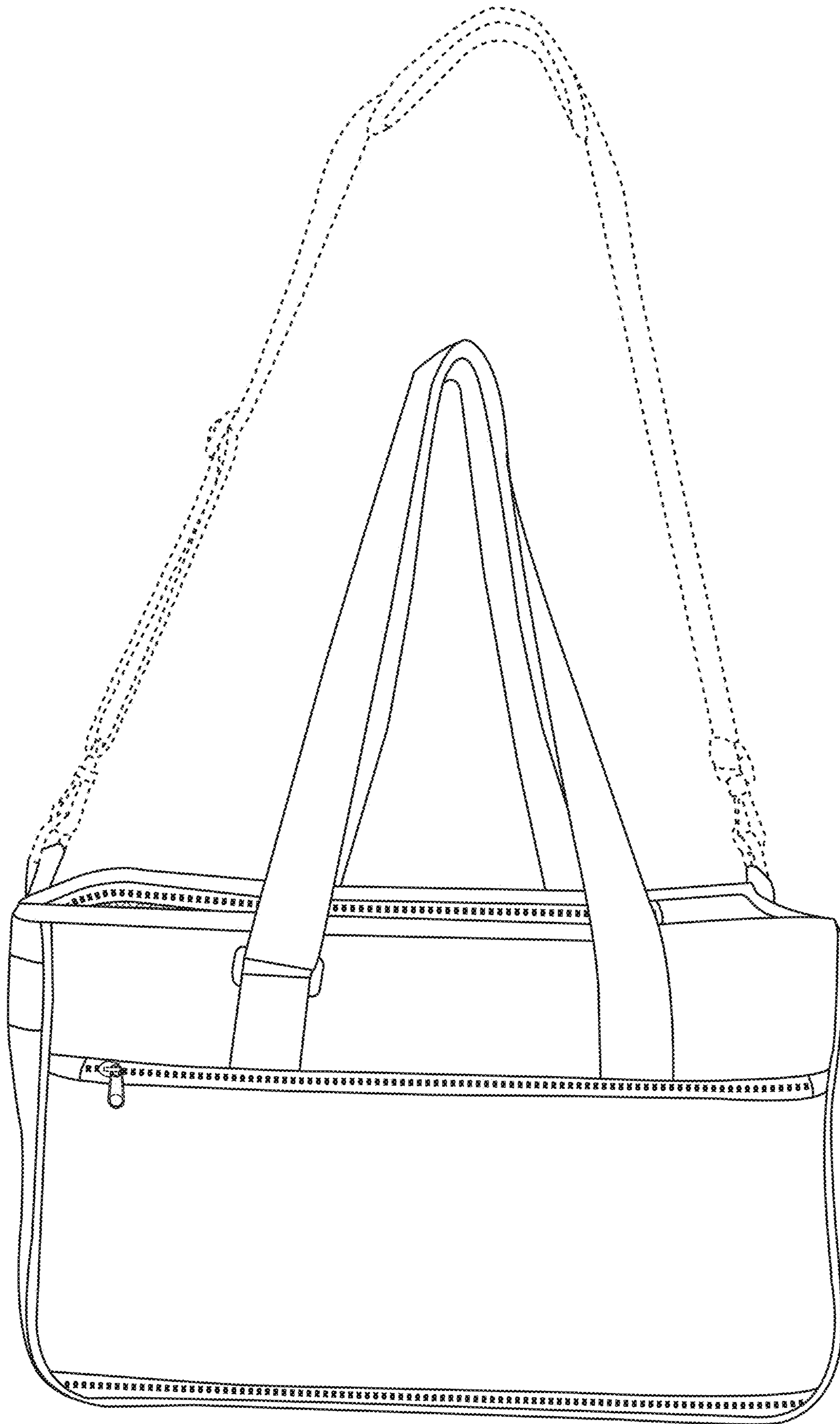


FIG. 2

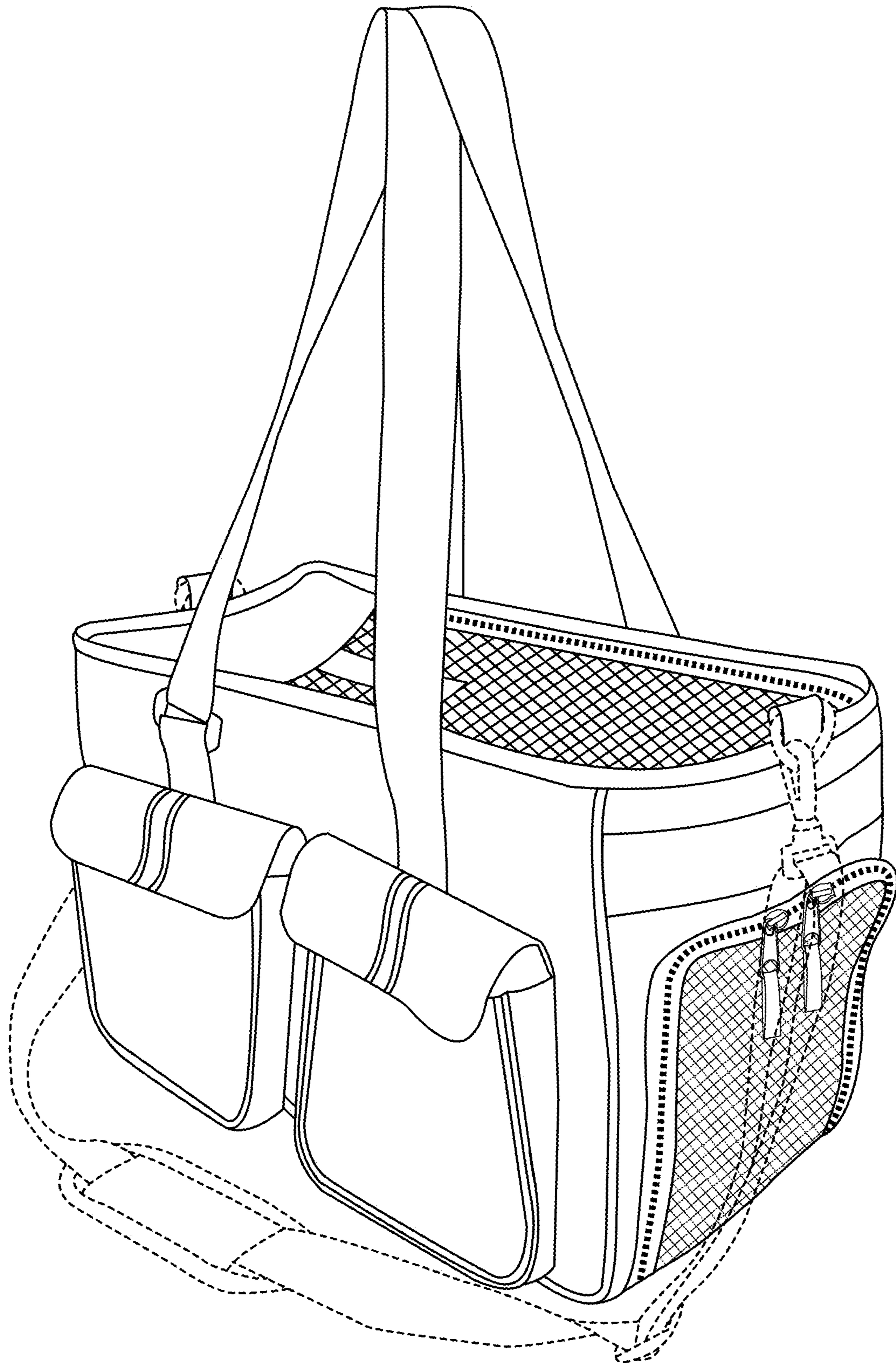


FIG. 3

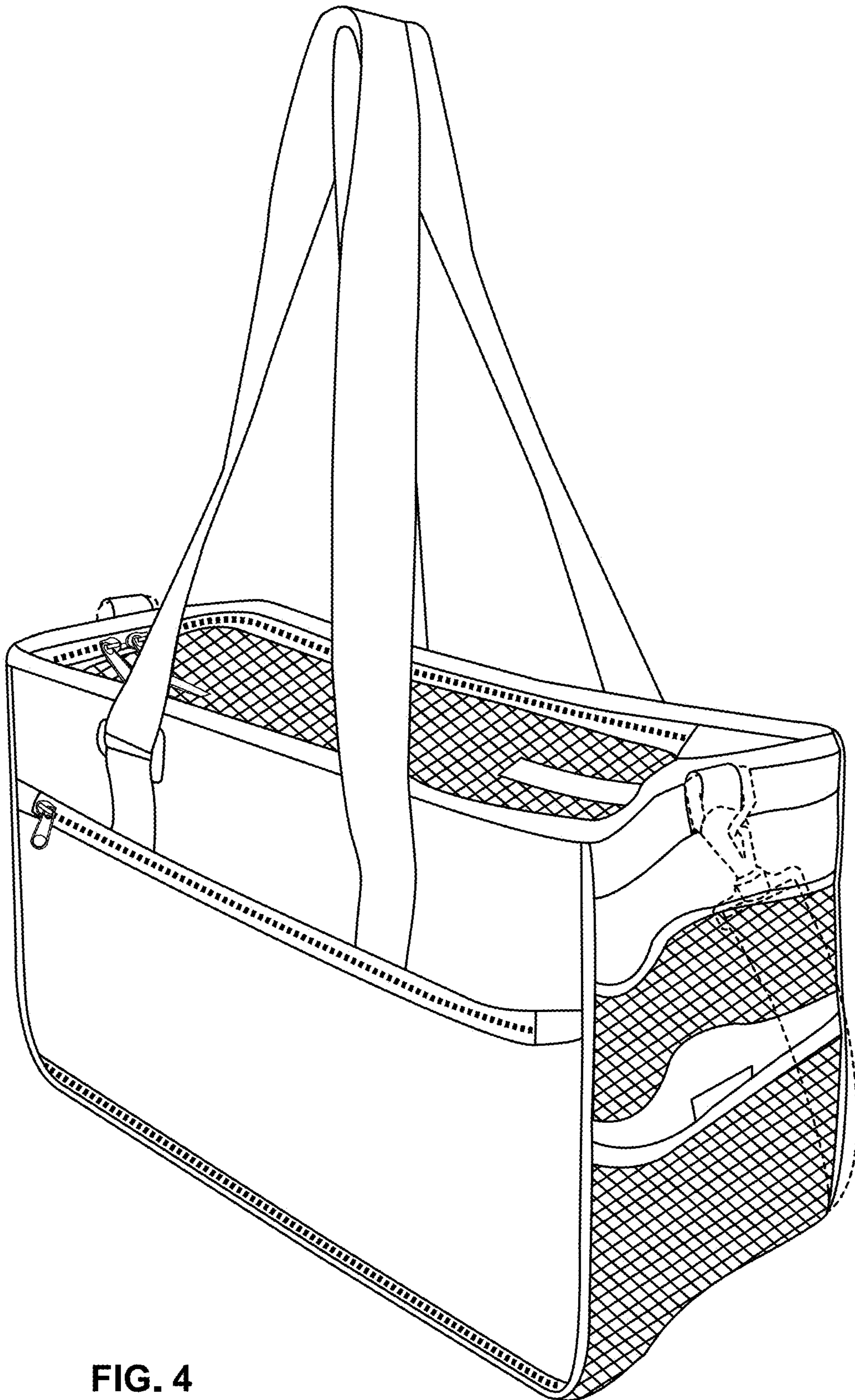


FIG. 4

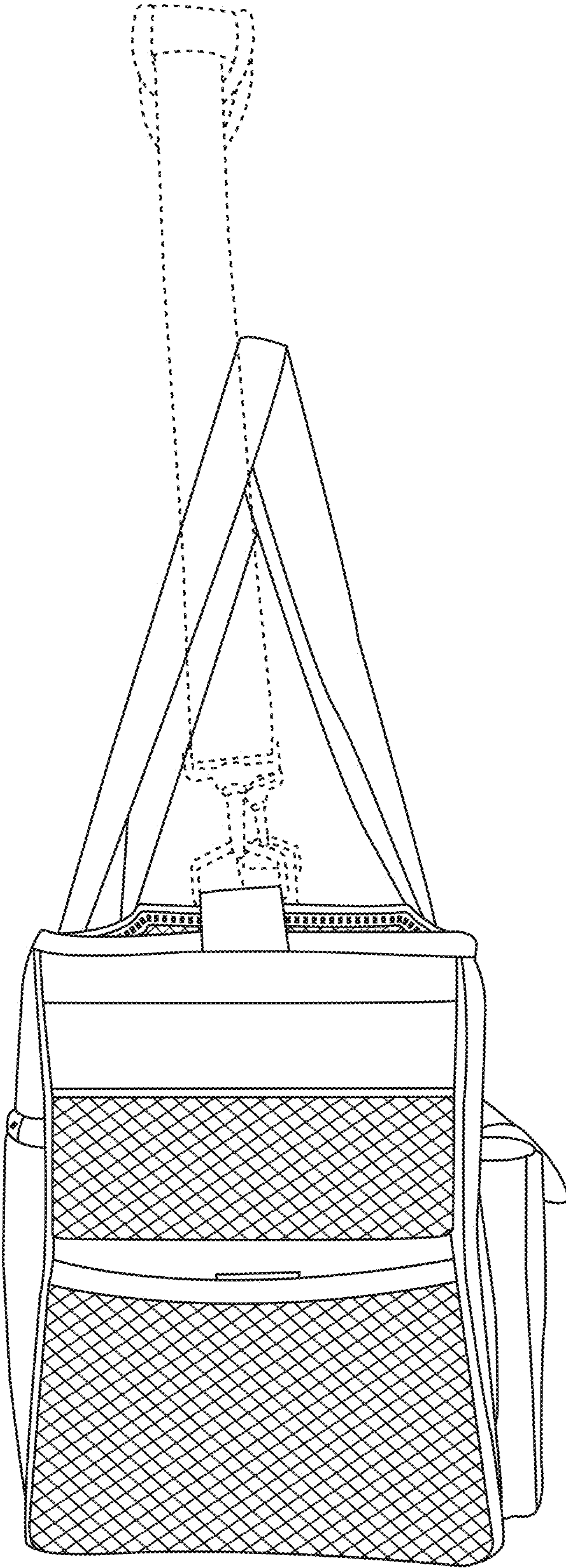


FIG. 5

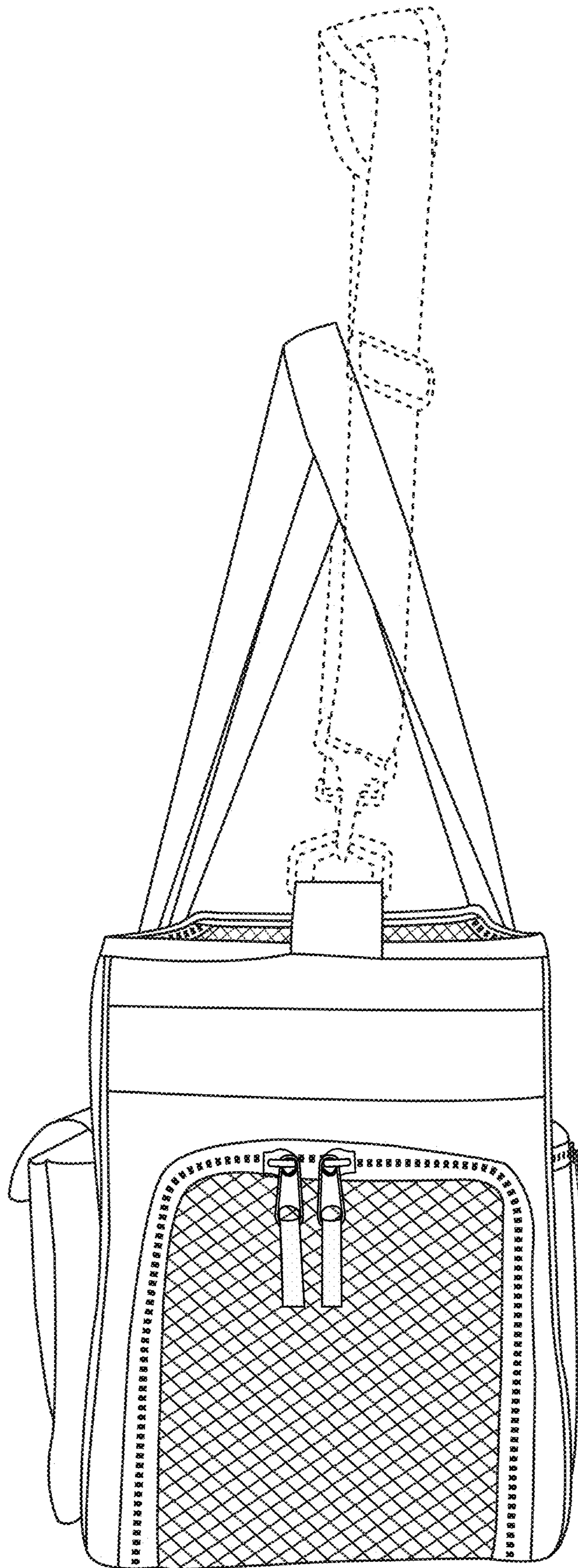


FIG. 6

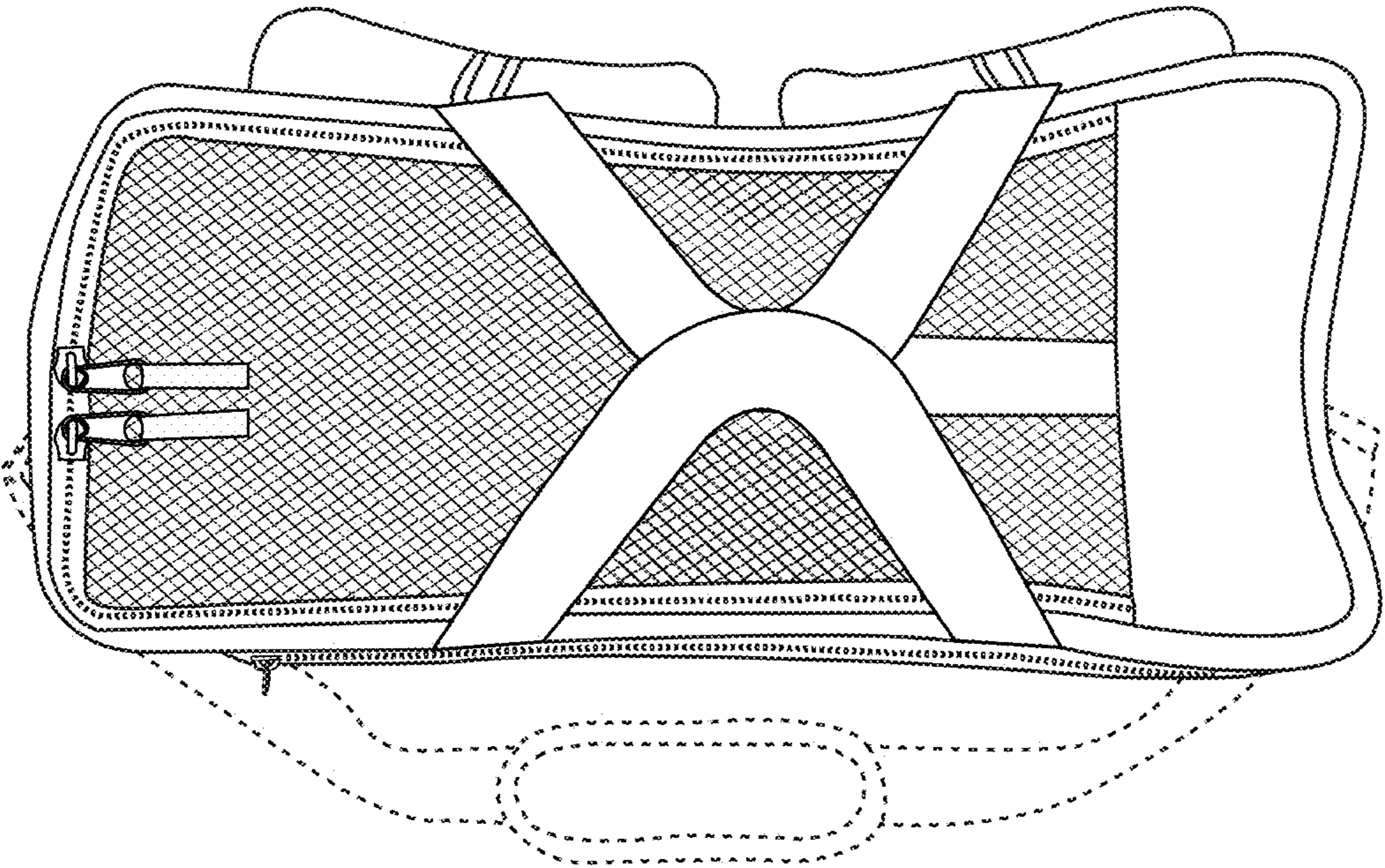


FIG. 7

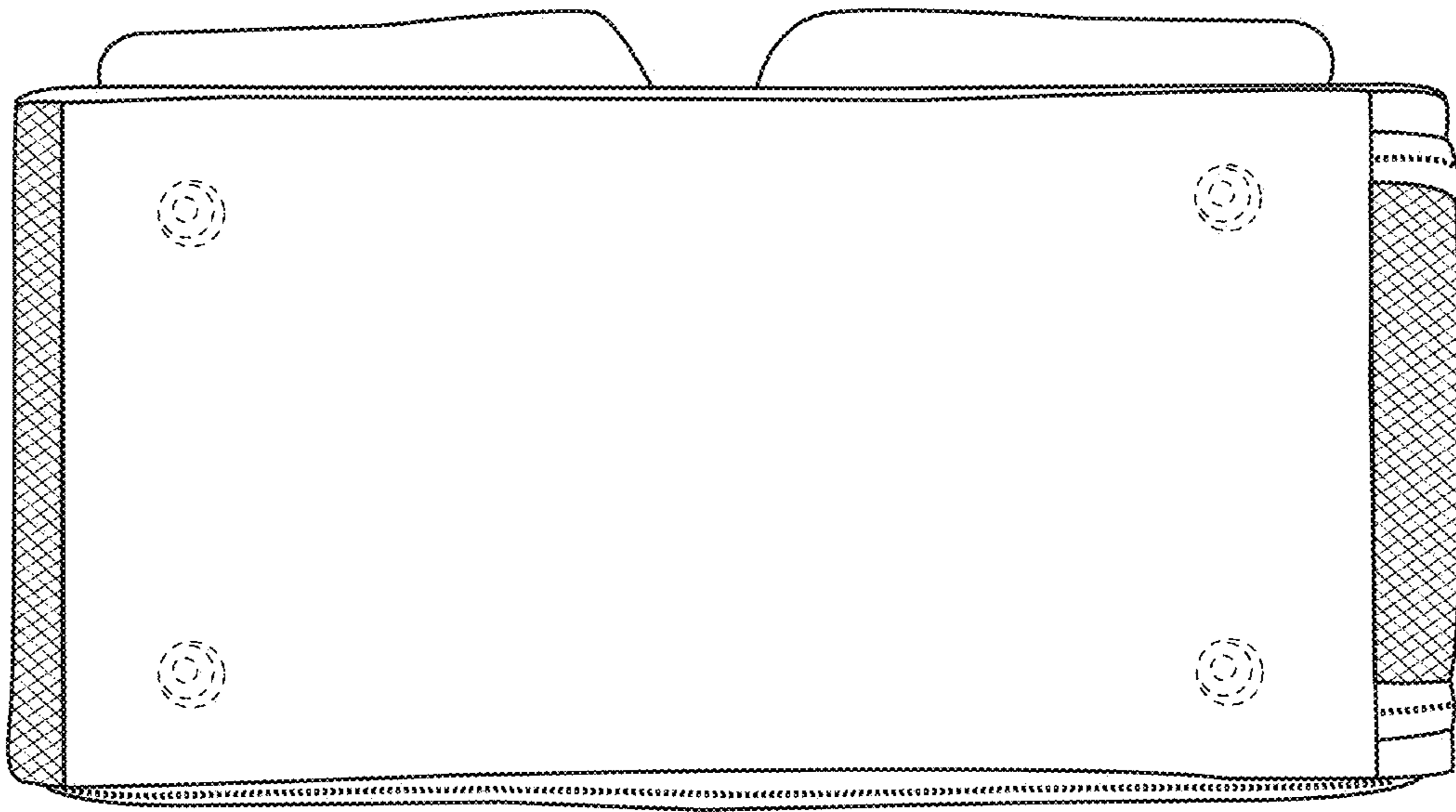


FIG. 8