



US00D955655S

(12) **United States Design Patent**
Jia

(10) **Patent No.:** **US D955,655 S**
(45) **Date of Patent:** **** Jun. 21, 2022**

(54) **WELDING HELMET**
(71) Applicant: **Weidong Jia**, Jiangsu (CN)
(72) Inventor: **Weidong Jia**, Jiangsu (CN)
(73) Assignee: **Jiangsu Meixin Optoelectronics Technology Co. Ltd**, Jiangsu (CN)

D540,989 S * 4/2007 Huh D29/110
D921,991 S * 6/2021 Huh D29/110
D926,386 S * 7/2021 Jia D29/110
2021/0378868 A1 * 12/2021 Huh A61F 9/06

(**) Term: **15 Years**

(21) Appl. No.: **29/744,194**

(22) Filed: **Jul. 28, 2020**

(30) **Foreign Application Priority Data**

May 12, 2020 (CN) 202030212530.9

(51) **LOC (13) Cl.** **29-02**

(52) **U.S. Cl.**
USPC **D29/110**

(58) **Field of Classification Search**
USPC D29/102-103, 106-108, 110, 122;
D24/110; D2/865-866
See application file for complete search history.

(56) **References Cited**

U.S. PATENT DOCUMENTS

D310,276 S * 8/1990 Fuerthbauer D29/110
D517,744 S * 3/2006 Lee D29/122

OTHER PUBLICATIONS

Top 5 Best Welding Helmets of 2021: <https://primeweld.com/blogs/news/best-welding-helmet> (Year: 2022).*

* cited by examiner

Primary Examiner — Robert A Delehanty

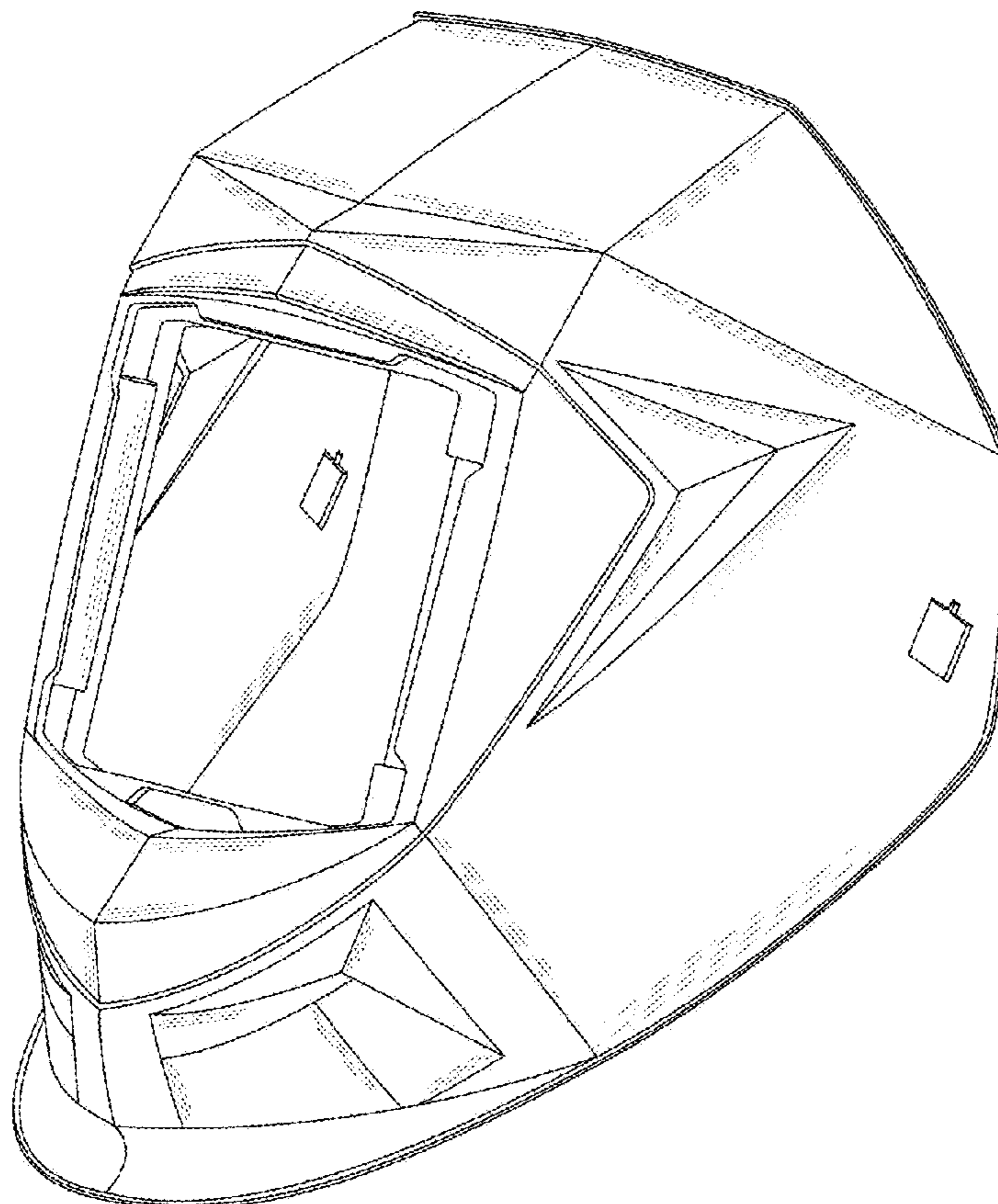
(57) **CLAIM**

The ornamental design for a welding helmet, as shown and described.

DESCRIPTION

FIG. 1 is a perspective view of a welding helmet showing my new design;
FIG. 2 is a front elevational view thereof;
FIG. 3 is a rear elevational view thereof;
FIG. 4 is a left side elevational view thereof;
FIG. 5 is a right side elevational view thereof;
FIG. 6 is a top plan view thereof; and,
FIG. 7 is a bottom plan view thereof.

1 Claim, 7 Drawing Sheets



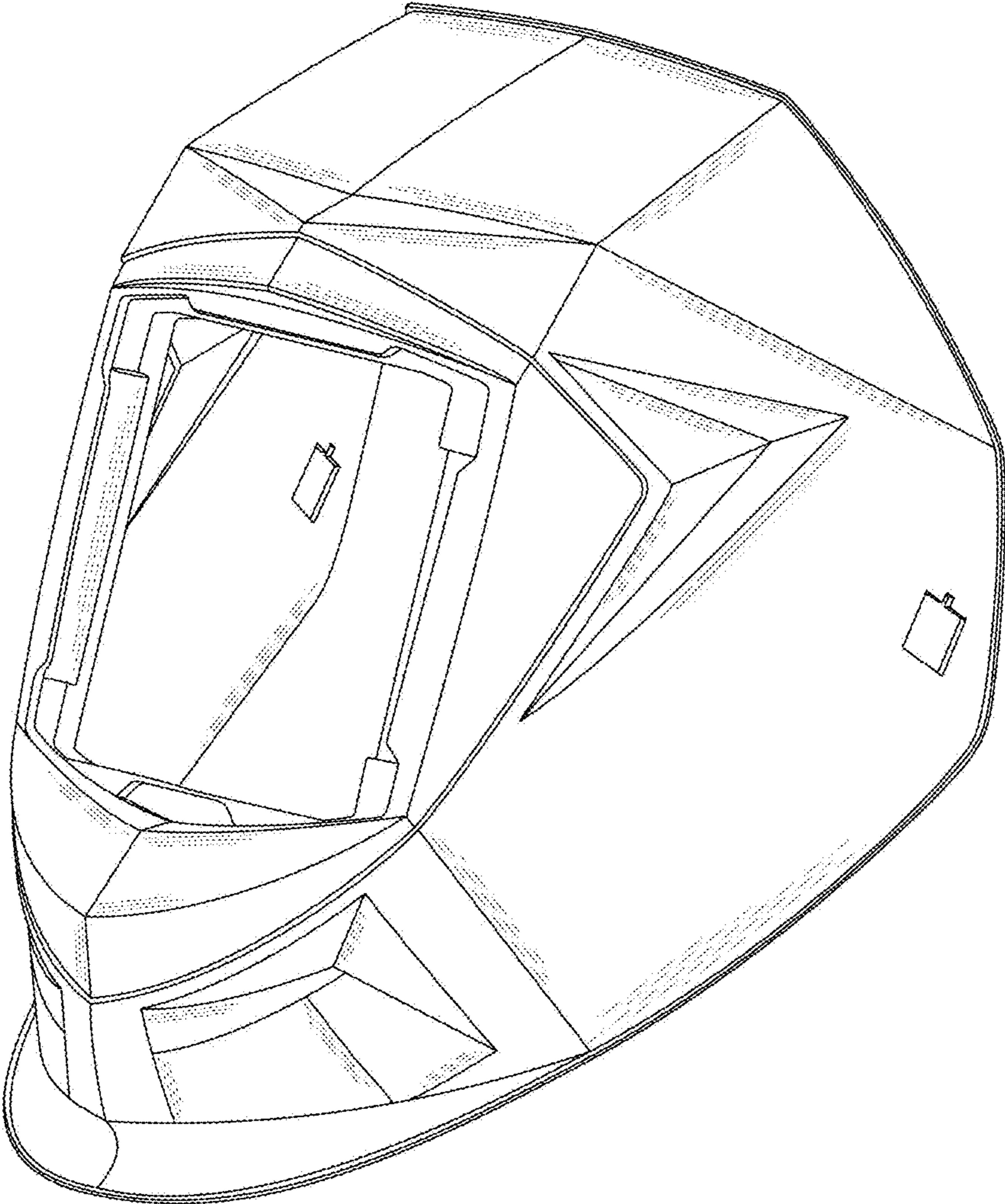


FIG. 1

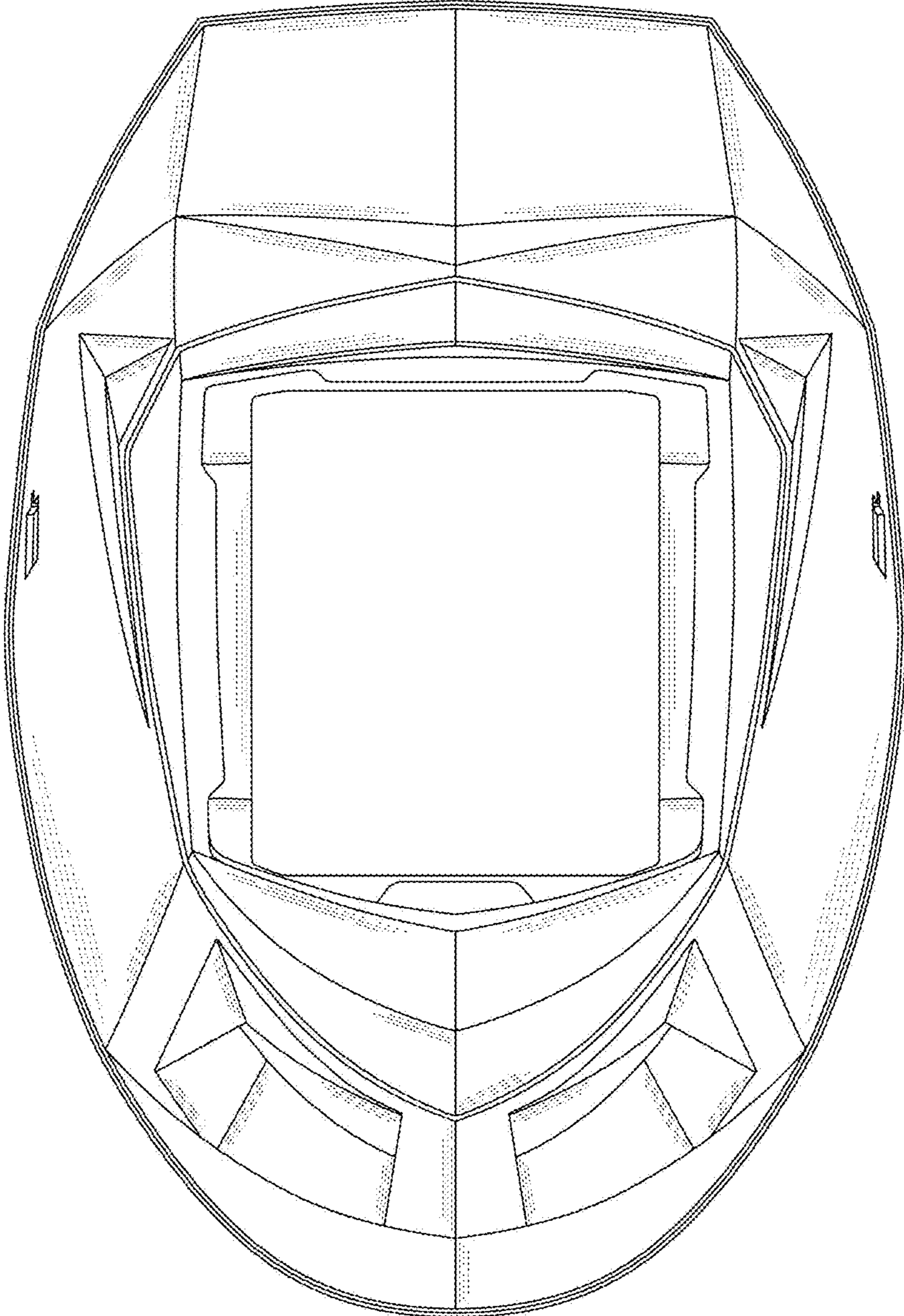


FIG. 2

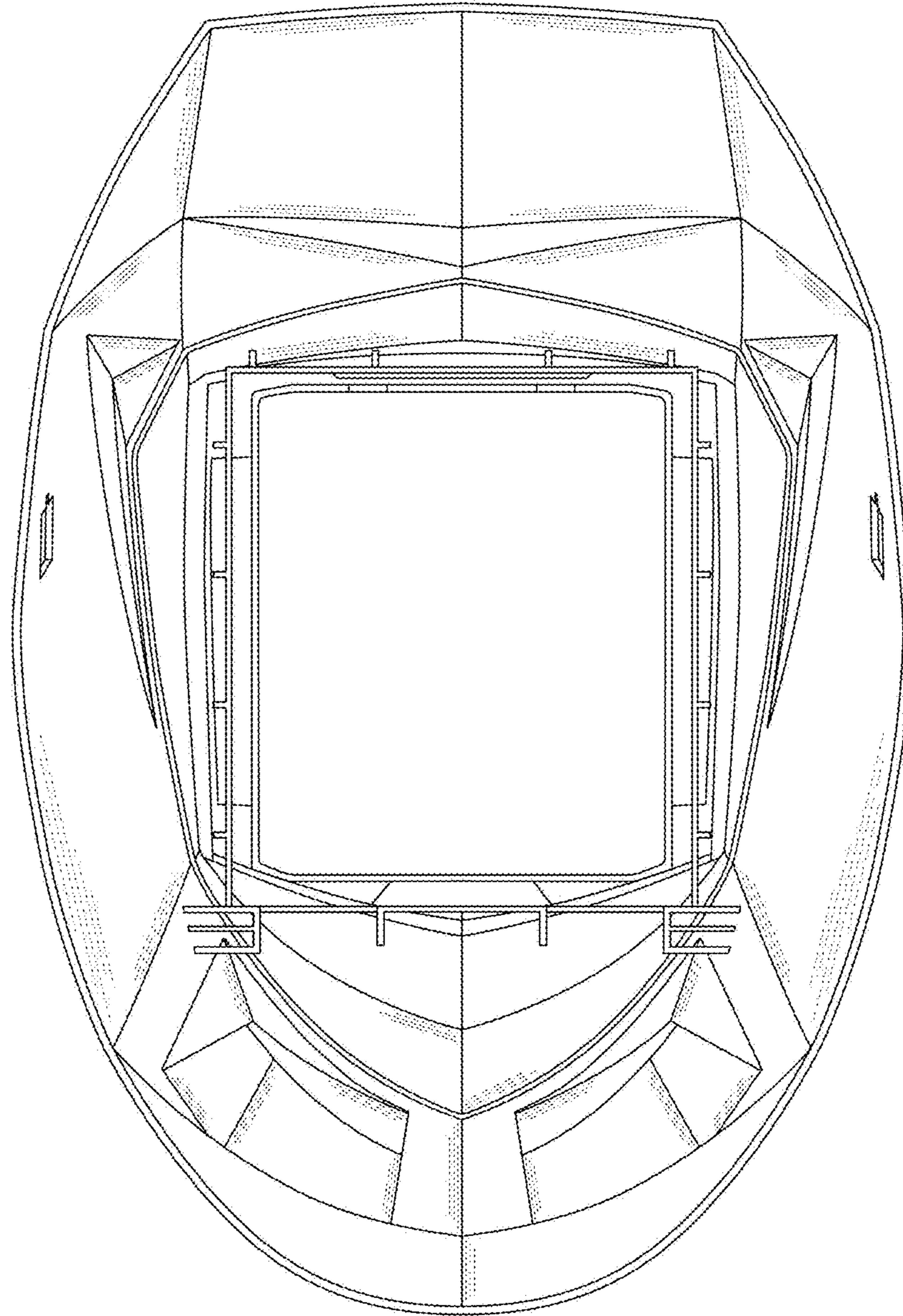


FIG. 3

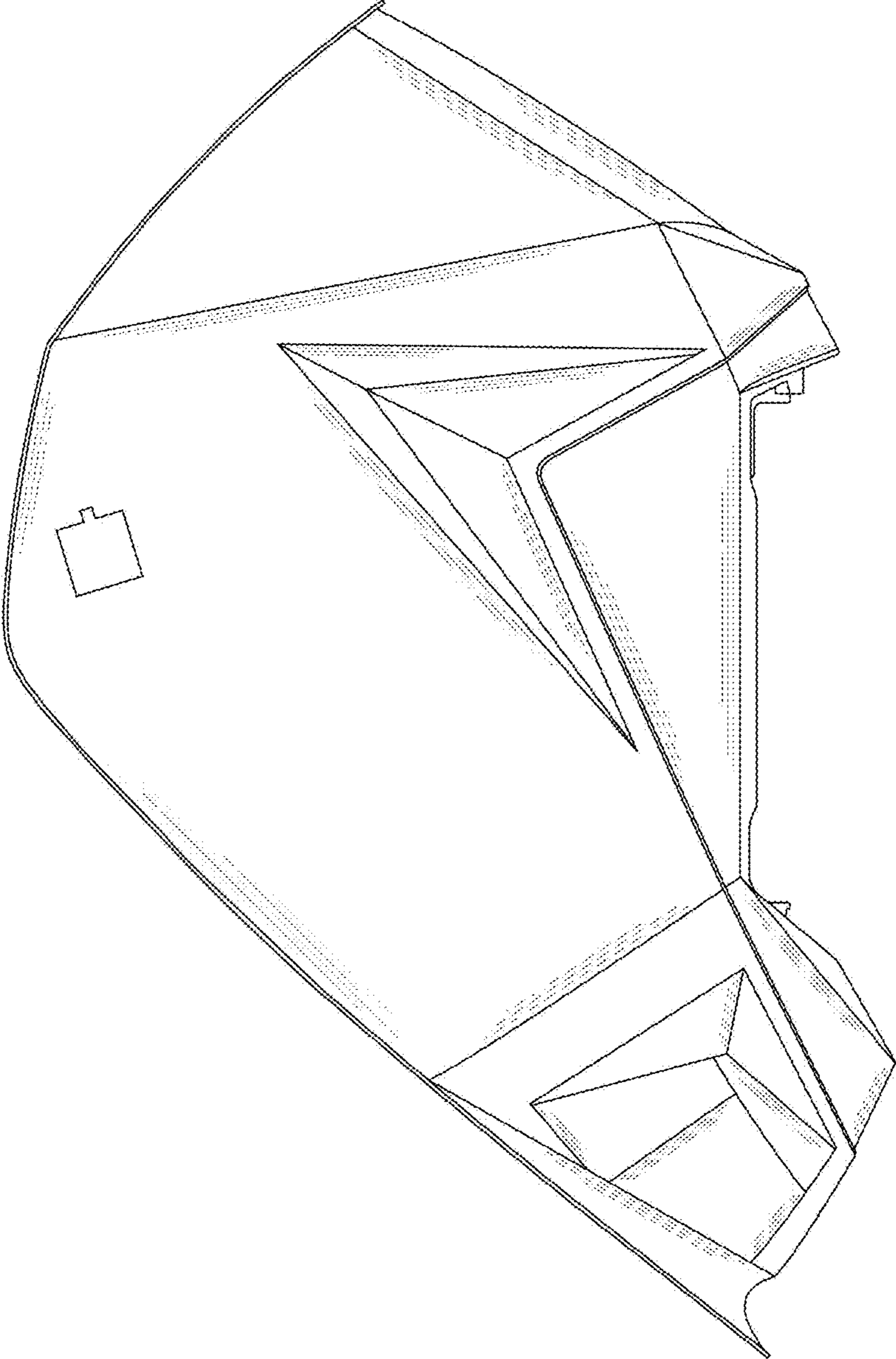


FIG. 4

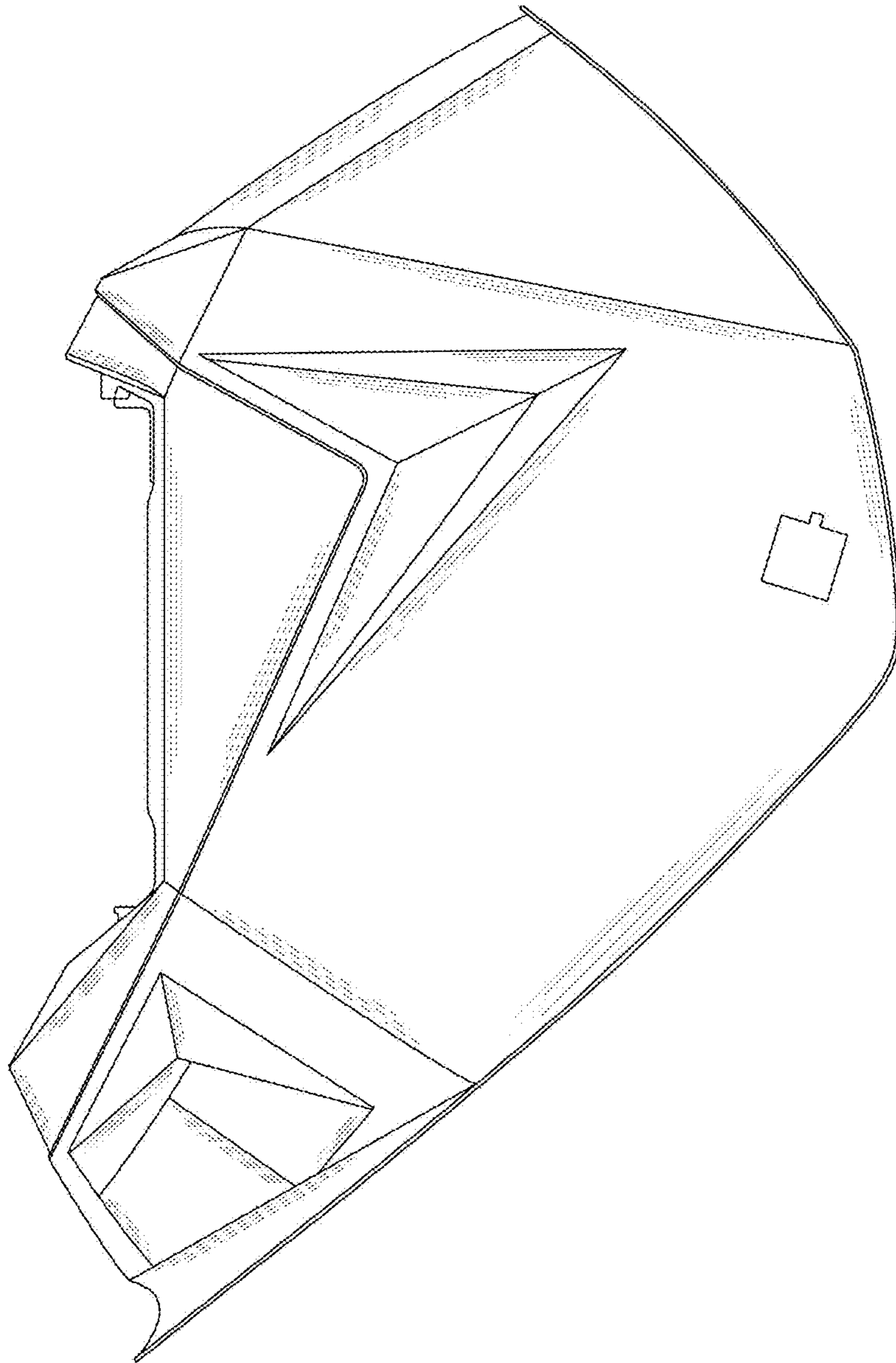


FIG. 5

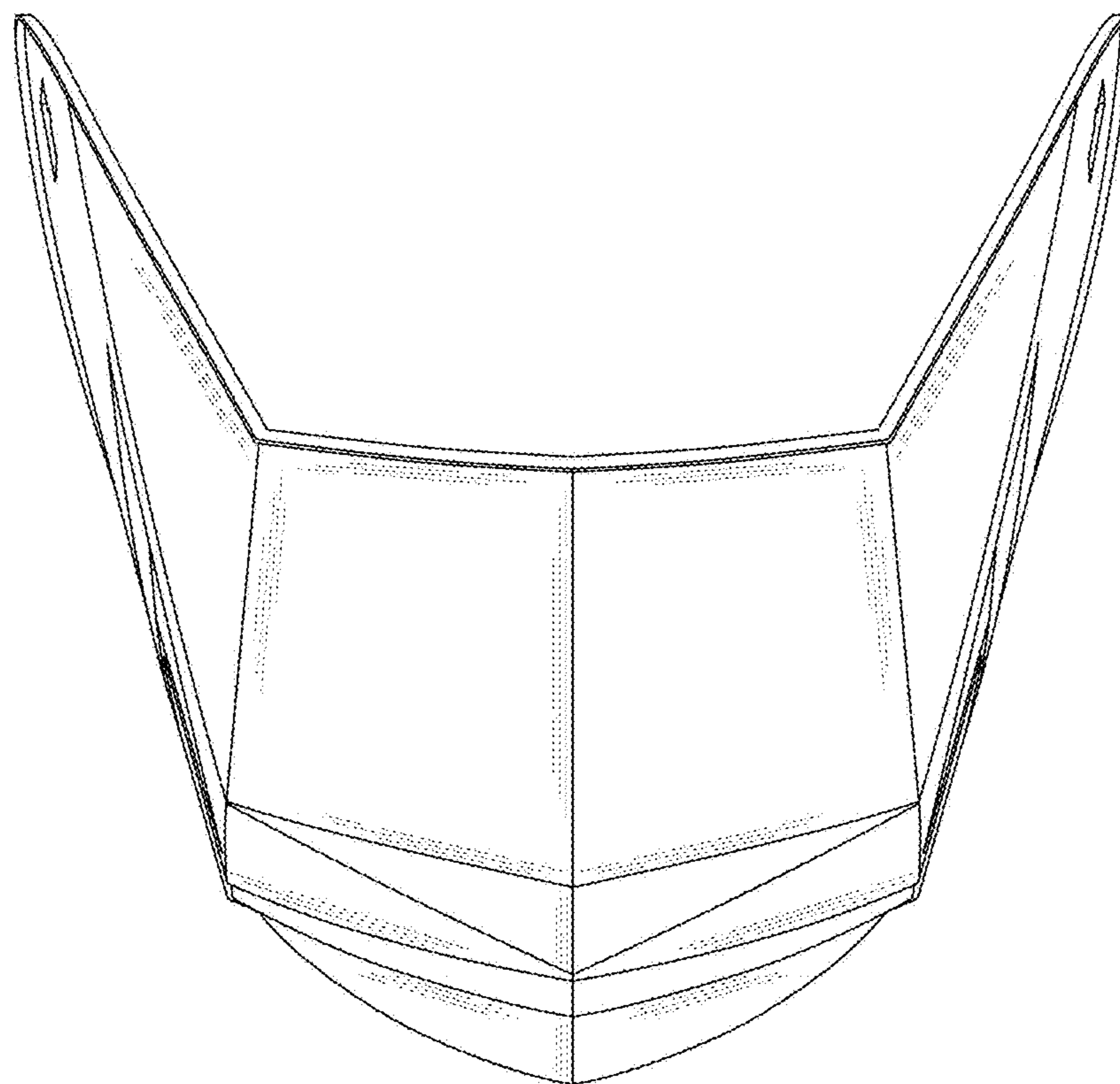


FIG. 6

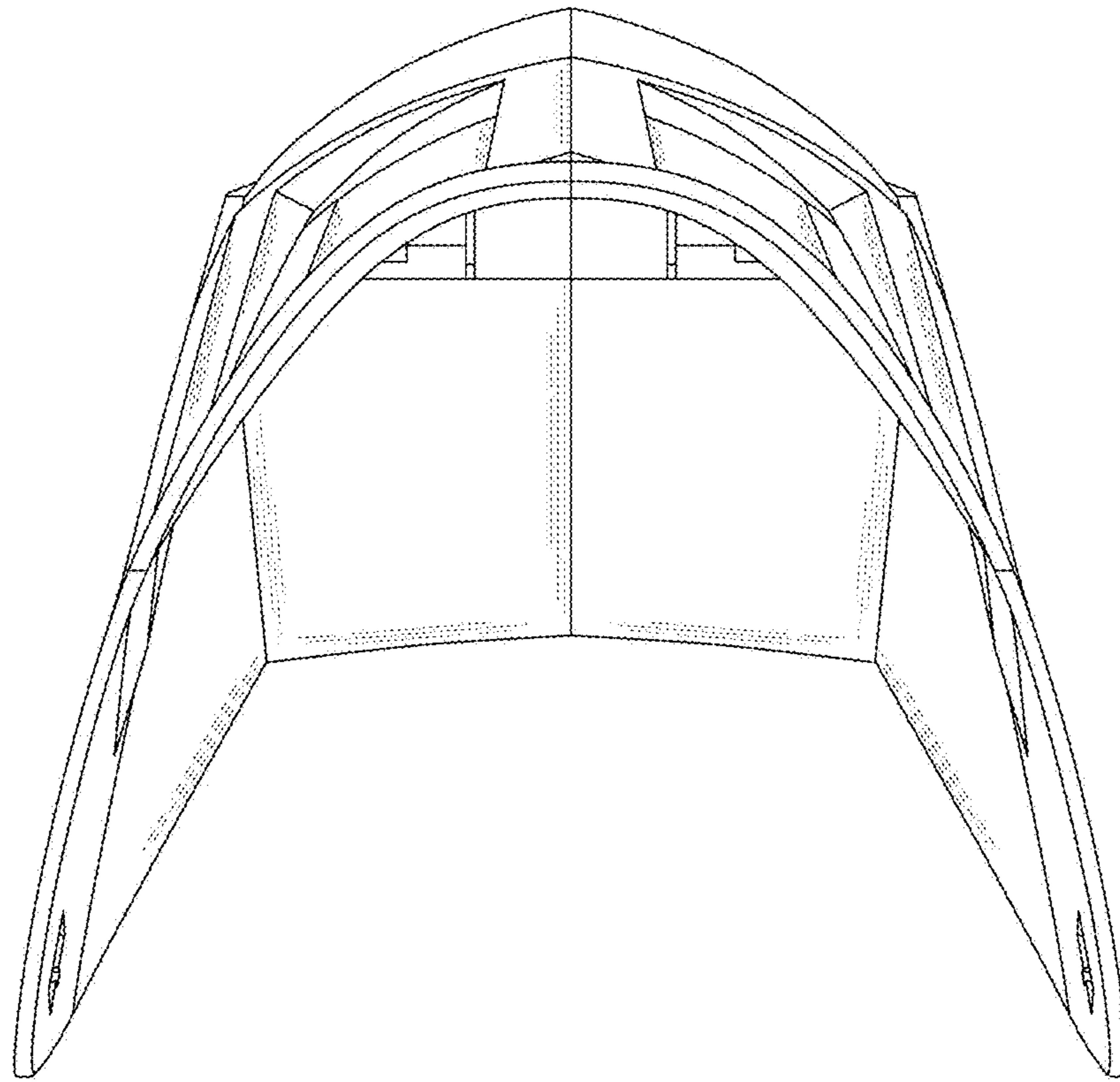


FIG. 7