



(12) **United States Design Patent**  
**Peleg**

(10) **Patent No.:** **US D955,653 S**  
(45) **Date of Patent:** **\*\* Jun. 21, 2022**

(54) **SUNSHADE**

(71) Applicant: **Osnat Peleg**, Ness Ziona (IL)

(72) Inventor: **Osnat Peleg**, Ness Ziona (IL)

(\*\*) Term: **15 Years**

(21) Appl. No.: **29/694,087**

(22) Filed: **Jun. 7, 2019**

(51) **LOC (13) Cl.** ..... **29-02**

(52) **U.S. Cl.**  
USPC ..... **D29/109**

(58) **Field of Classification Search**  
USPC ..... D2/627, 829, 838, 839, 861, 879, 882;  
D3/213, 214; D5/99; D6/333, 596;  
D8/382, 383, 385, 386, 387, 394, 395,  
D8/396; D14/205, 223; D21/662, 683,  
D21/803, 804, 805; D24/106, 151, 190;  
D29/100, 101.1, 101.2, 101.3, 101.4,  
D29/101.5, 102, 103, 104, 108, 112,  
D29/120.1, 120.2, 121.2, 122, 124, 109  
CPC ..... A47D 5/00; A47D 5/003; A47D 5/006;  
A47D 15/00; A47D 15/001; A47D  
15/003; A47D 15/005; A47D 15/008;  
A47D 15/02; A47D 13/00; A47D 13/02;  
A47D 13/025; A61G 7/0504; A61G  
7/0526; A45B 2200/10; A45B 2200/1009;  
A45B 23/00; A45B 2023/0006; A45B  
2023/0025; A45B 2023/0093; A61F 5/37;  
A61F 11/04; A61F 11/06; A61F 11/08;  
A61F 2011/145; E04H 15/02; B62B 9/14;  
B62B 9/142; B62B

(Continued)

(56) **References Cited**

**U.S. PATENT DOCUMENTS**

D334,084 S \* 3/1993 Hunt ..... D29/109  
D538,877 S \* 3/2007 Peterson ..... A47D 13/02  
D21/803

(Continued)

**OTHER PUBLICATIONS**

Babys Den, "Orbit Baby G3 Stroller Sunshade", first available Apr. 21, 2015. (<https://www.babysden.com/orbit-baby-g3-stroller-sunshade.html>) (Year: 2015).\*

(Continued)

*Primary Examiner* — Lauren D McVey

*Assistant Examiner* — Justin A Johnson

(74) *Attorney, Agent, or Firm* — Cabilly & Co; Teri N. Small

(57) **CLAIM**

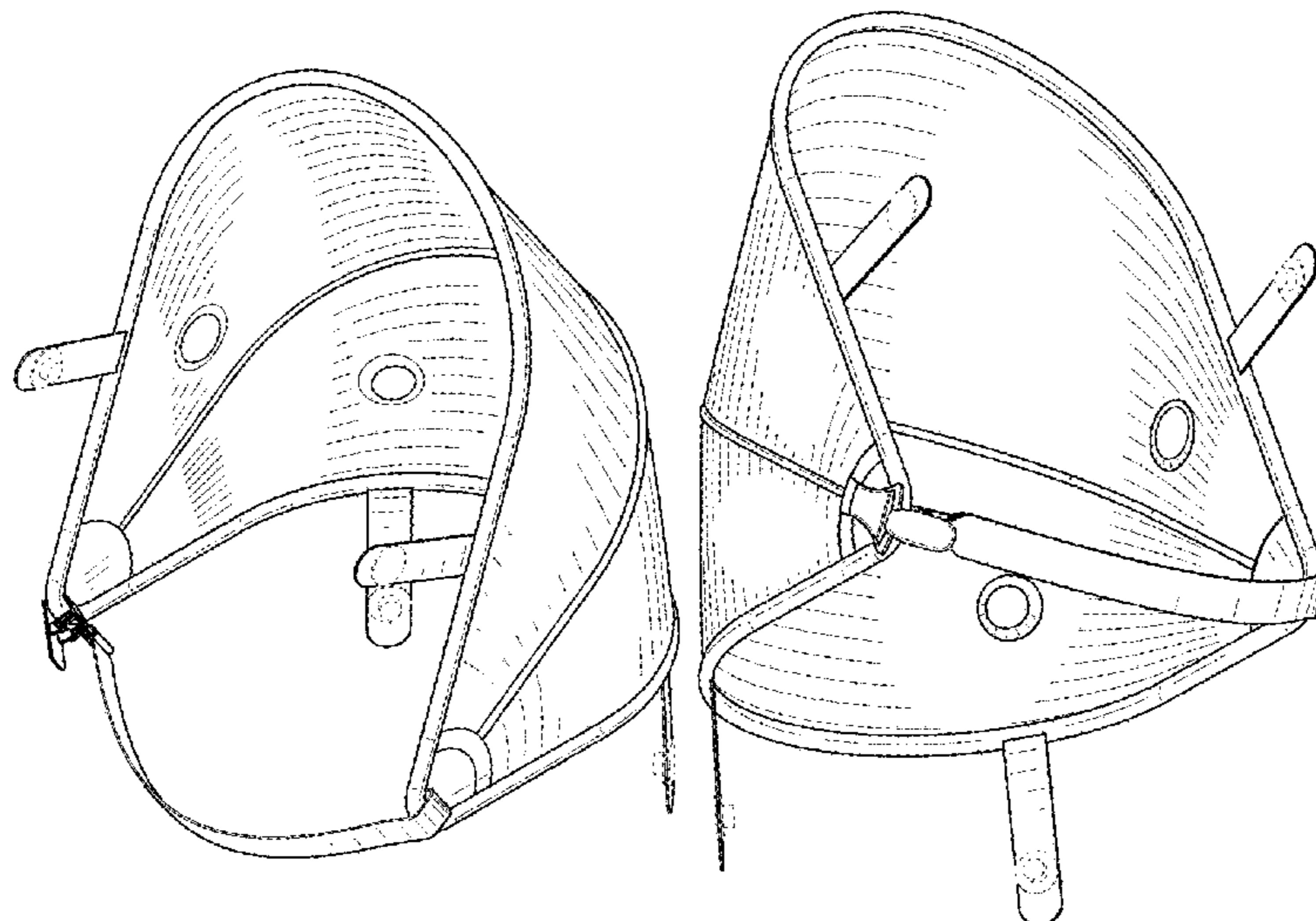
The ornamental design for sunshade, as shown and described.

**DESCRIPTION**

FIG. 1 is a front view of a sunshade showing the new design; FIG. 2 is a detailed view of a connector element in FIG. 1 thereof; FIG. 3 is a top plan view thereof; FIG. 4 is a rear view thereof; FIG. 5 is a bottom view thereof; FIG. 6 is a right side view thereof; FIG. 7 is a left side view thereof; FIG. 8 is a detailed perspective view of the connection element in FIG. 7 with the clip removed in order to show aspects of the design not otherwise apparent; FIG. 9 is a front right perspective view of FIG. 1 in an open position; FIG. 10 is a front left perspective view of FIG. 1 in an open position; FIG. 11 is a front right perspective view of FIG. 1 in closed position; and, FIG. 12 is a front left perspective view of FIG. 1 in a closed position and in use.

The broken lines are directed to environment and form no part of the claimed design.

**1 Claim, 6 Drawing Sheets**



(58) **Field of Classification Search**

CPC ... 9/147; A62B 1/00; A62B 1/04; A62B 1/06;  
 A62B 1/14; A62B 1/16; A62B 1/18;  
 A62B 35/00; A62B 35/0006; A62B  
 35/0025; A62B 35/0031; A62B 35/0037;  
 A62B 35/0043; A62B 35/0068; A62B  
 35/0075; A62B 35/0081; A62B 35/0018;  
 F41H 1/00; F41H 1/02; F41H 5/013;  
 B32B 2571/00; B32B 2571/02; B63B  
 32/22; B63B 32/30; B63B 32/40; B63B  
 32/45; B63B 32/73; B63B 32/70; H04R  
 1/1016; H04R 1/1025; H04R 1/1041;  
 A41F 9/00; A41F 9/002; A41F 9/025;  
 A63B 21/00178; A63B 21/00181; A63B  
 21/06; A63B 21/065; A63B 21/4001;  
 A63B 21/4007; A63B 21/4009; A63B  
 21/4025; B63C 9/00; A44C 5/0007;  
 A41D 2400/48; A41D 2400/482; A41D  
 13/01; A41D 2600/104; A41D 13/015;  
 A41D 13/0151; A41D 13/05; A41D  
 13/0518; A41D 13/0531; A41D 1/002;  
 A41D 13/0012; A41D 13/0525; A61H  
 2205/027; A47C 7/66

See application file for complete search history.

(56) **References Cited**

U.S. PATENT DOCUMENTS

D837,326 S \* 1/2019 Chin ..... A63H 33/006  
 D21/804  
 2005/0168006 A1\* 8/2005 Darland ..... B62B 9/14  
 296/97.21

2005/0258673 A1\* 11/2005 Kassai ..... B62B 9/14  
 297/184.13  
 2006/0219279 A1\* 10/2006 Kaufman ..... A45B 11/02  
 135/20.1  
 2007/0257526 A1\* 11/2007 Hei ..... A47C 7/66  
 297/184.13  
 2009/0066123 A1\* 3/2009 Kassai ..... A47D 9/00  
 297/184.13  
 2009/0096257 A1\* 4/2009 Gordon ..... B62B 9/142  
 297/184.12  
 2009/0101189 A1\* 4/2009 Tatham ..... B62B 9/14  
 135/88.02  
 2011/0312243 A1\* 12/2011 Schoen ..... A63H 33/006  
 446/227  
 2016/0362906 A1\* 12/2016 Farris ..... E04H 15/003  
 2018/0035814 A1\* 2/2018 Peleg ..... A47D 15/00  
 2019/0374045 A1\* 12/2019 Klatsky ..... A47D 13/02

OTHER PUBLICATIONS

Amazon, “Kelty Journey Perfectfit Sunshade”, first available Jan. 18, 2018. (<https://www.amazon.com/Kelty-Journey-Perfectfit-Sunshade-Gray/dp/B078WFYJVC/>) (Year: 2018).\*

Amazon, “TRIPIRIT Portable Sun Shade Canopy”, first available Oct. 28, 2018. (<https://www.amazon.com/Tripirit-Portable-Sun-Shade-Canopy/dp/B07DJBQ7ZF/?th=1>) (Year: 2018).\*

Etsy, “Stokke iZi Sleep Canopy”, first available Apr. 18, 2021. ([https://www.etsy.com/listing/1003584621/stokke-izi-sleep-canopy-hood-car-seat?ref=pla\\_similar\\_listing\\_bot-3](https://www.etsy.com/listing/1003584621/stokke-izi-sleep-canopy-hood-car-seat?ref=pla_similar_listing_bot-3)) (Year: 2021).\*

\* cited by examiner

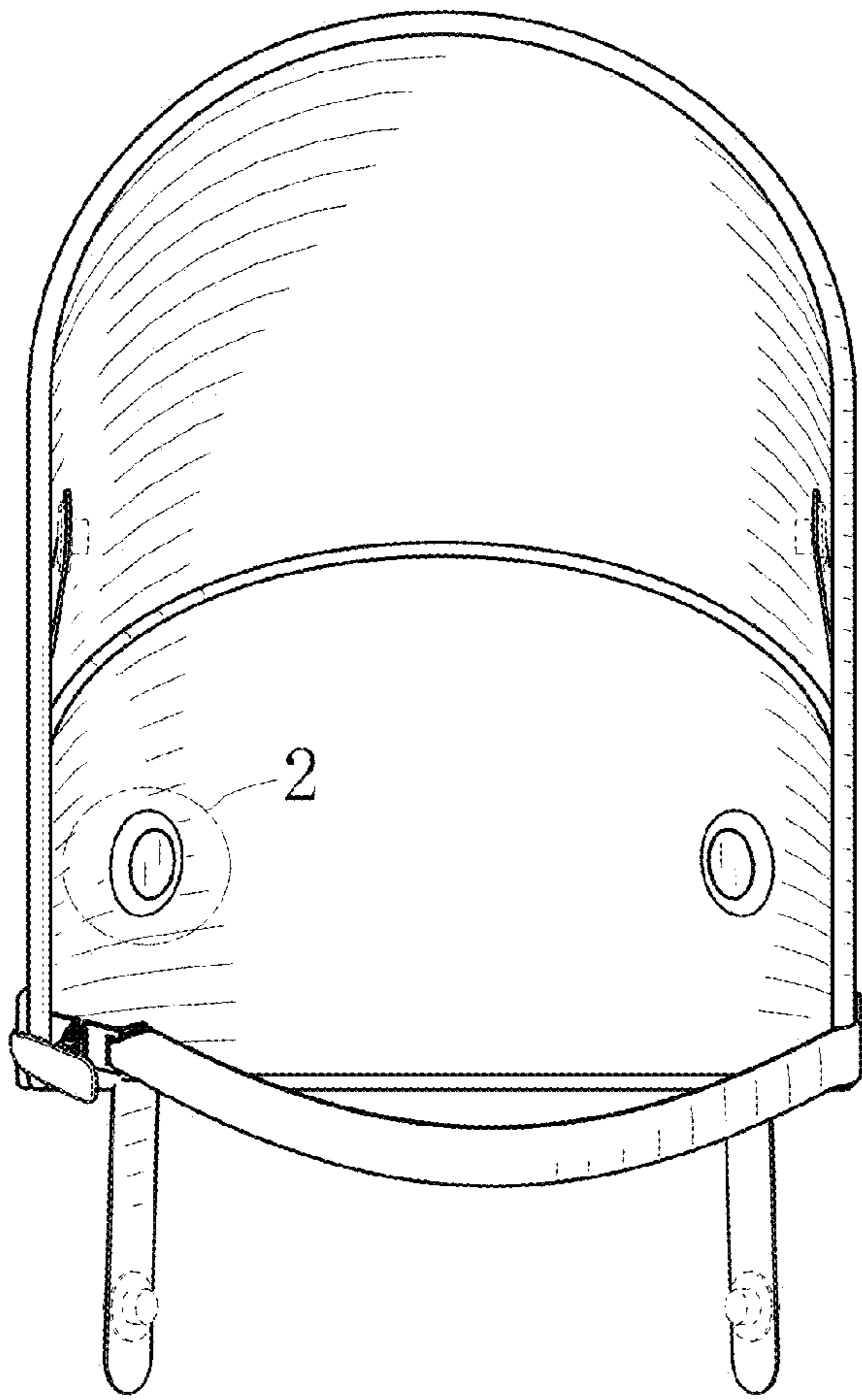


FIG. 1

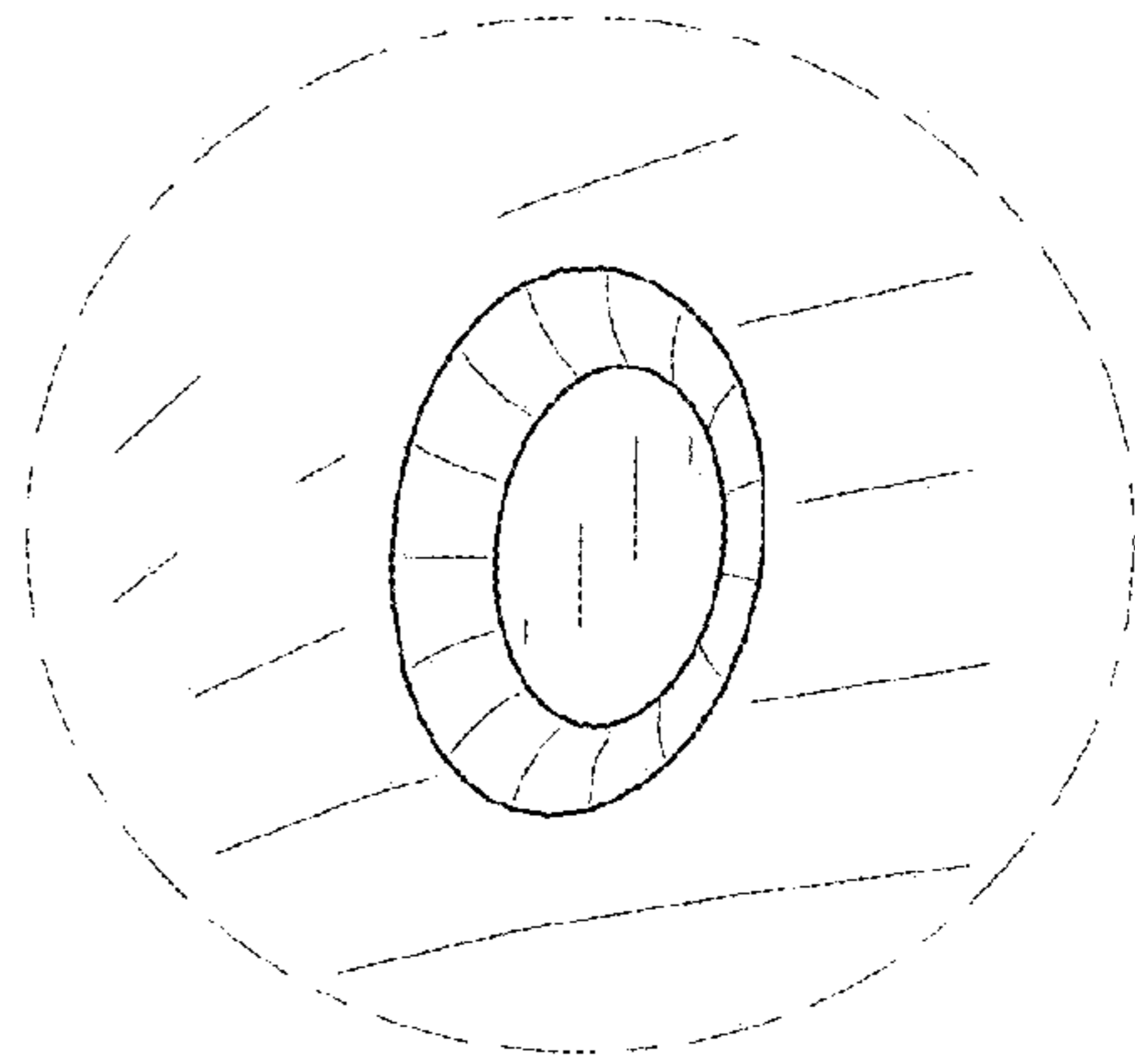


FIG. 2

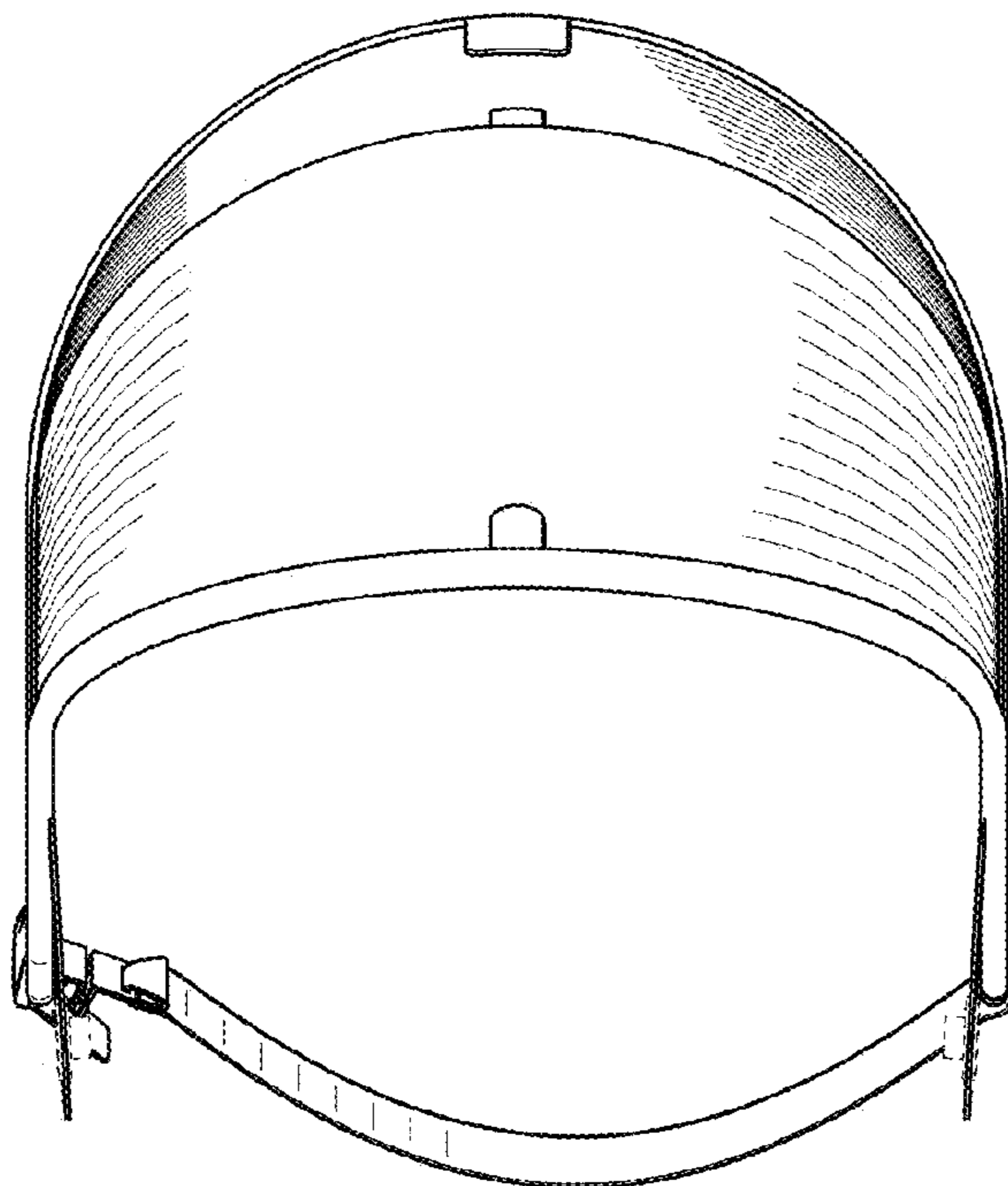


FIG. 3

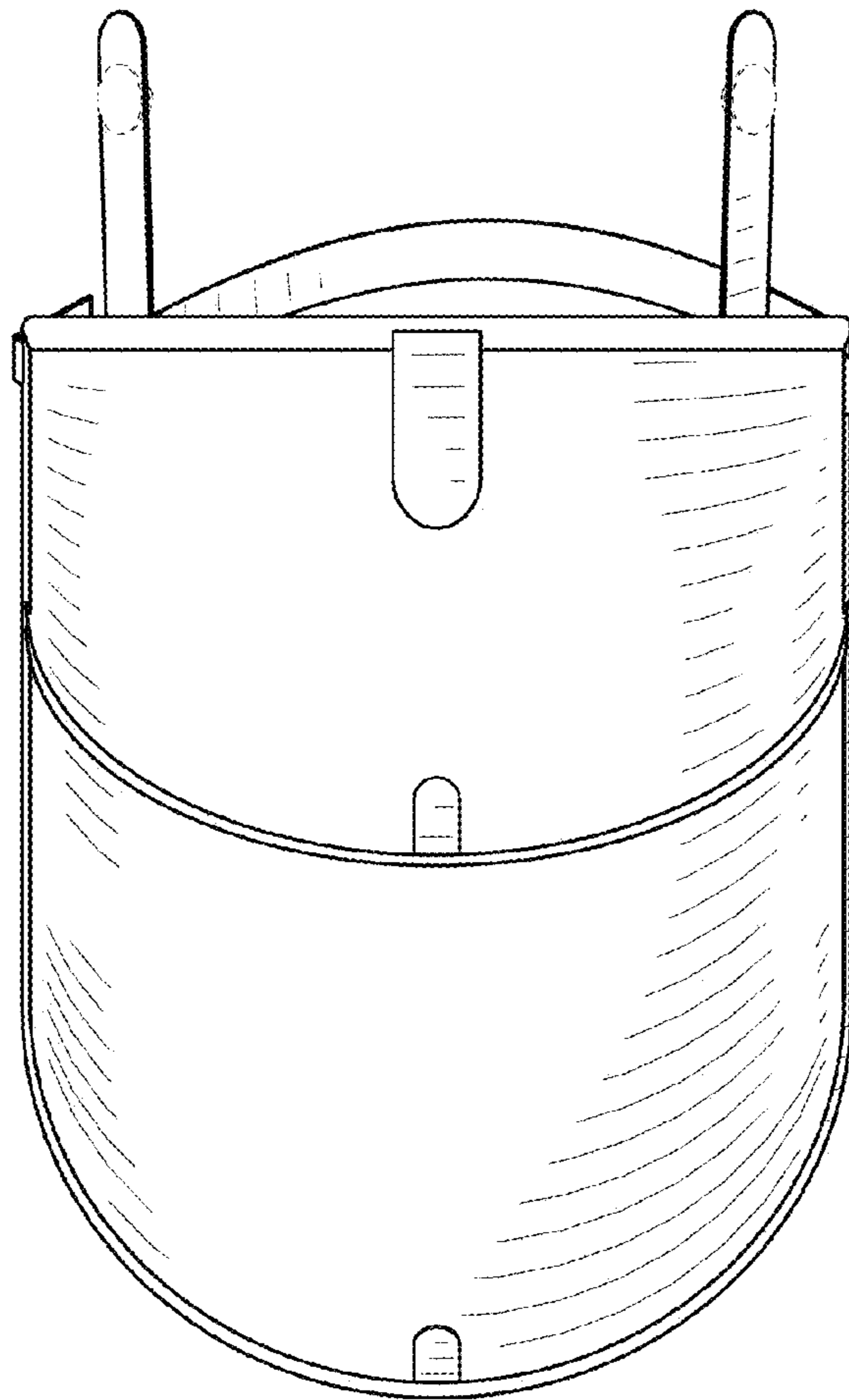


FIG. 4

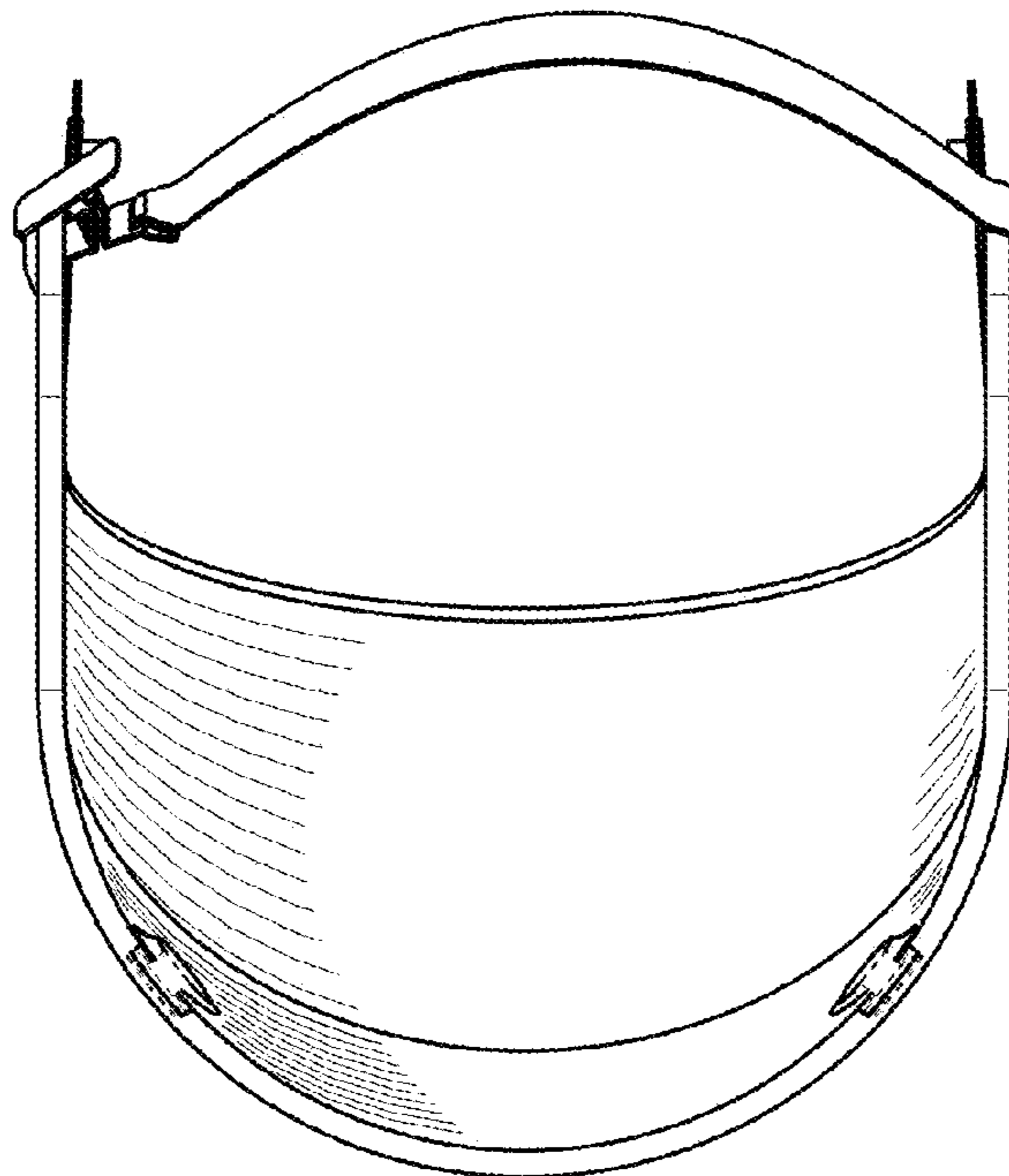


FIG. 5

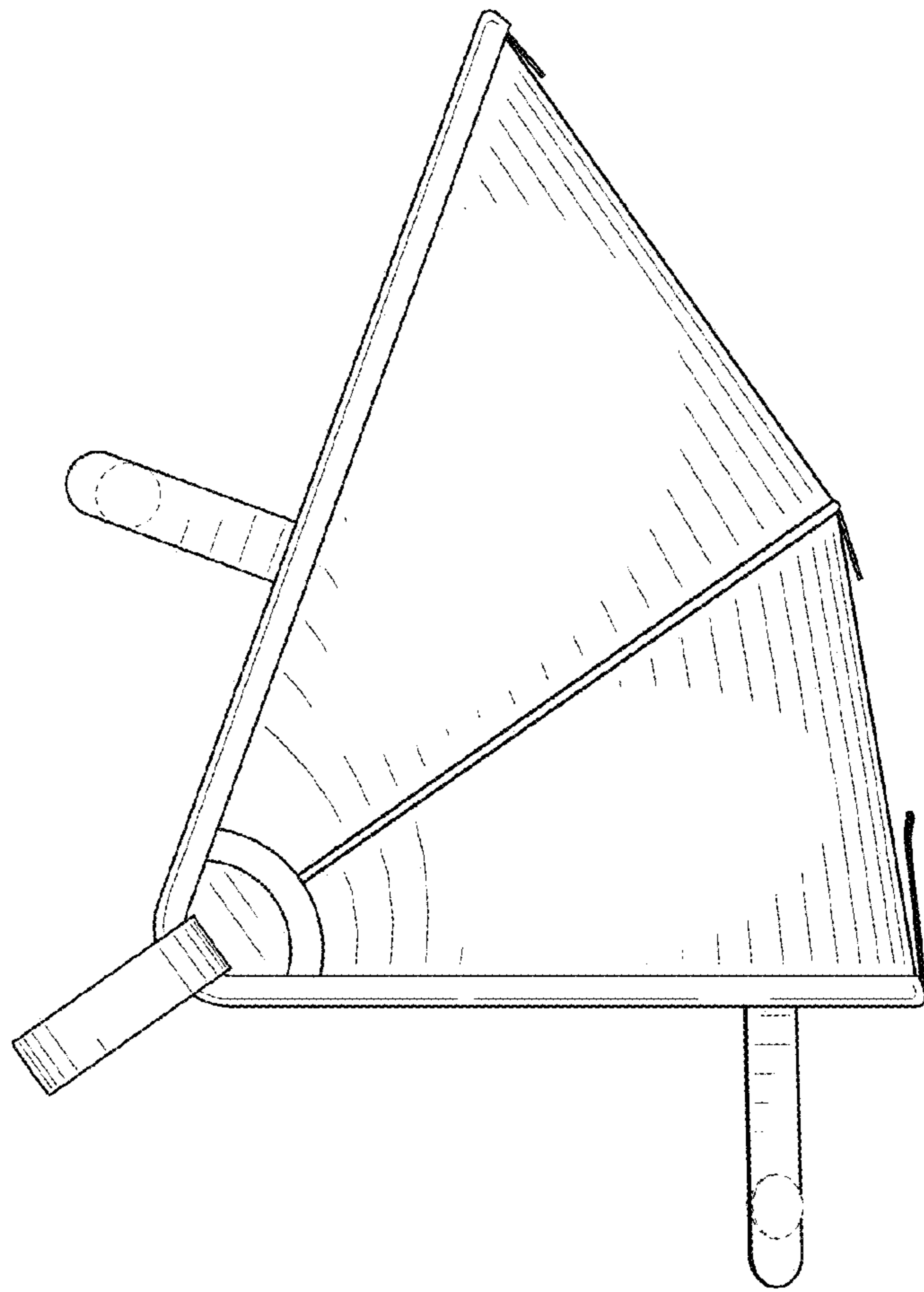


FIG. 6

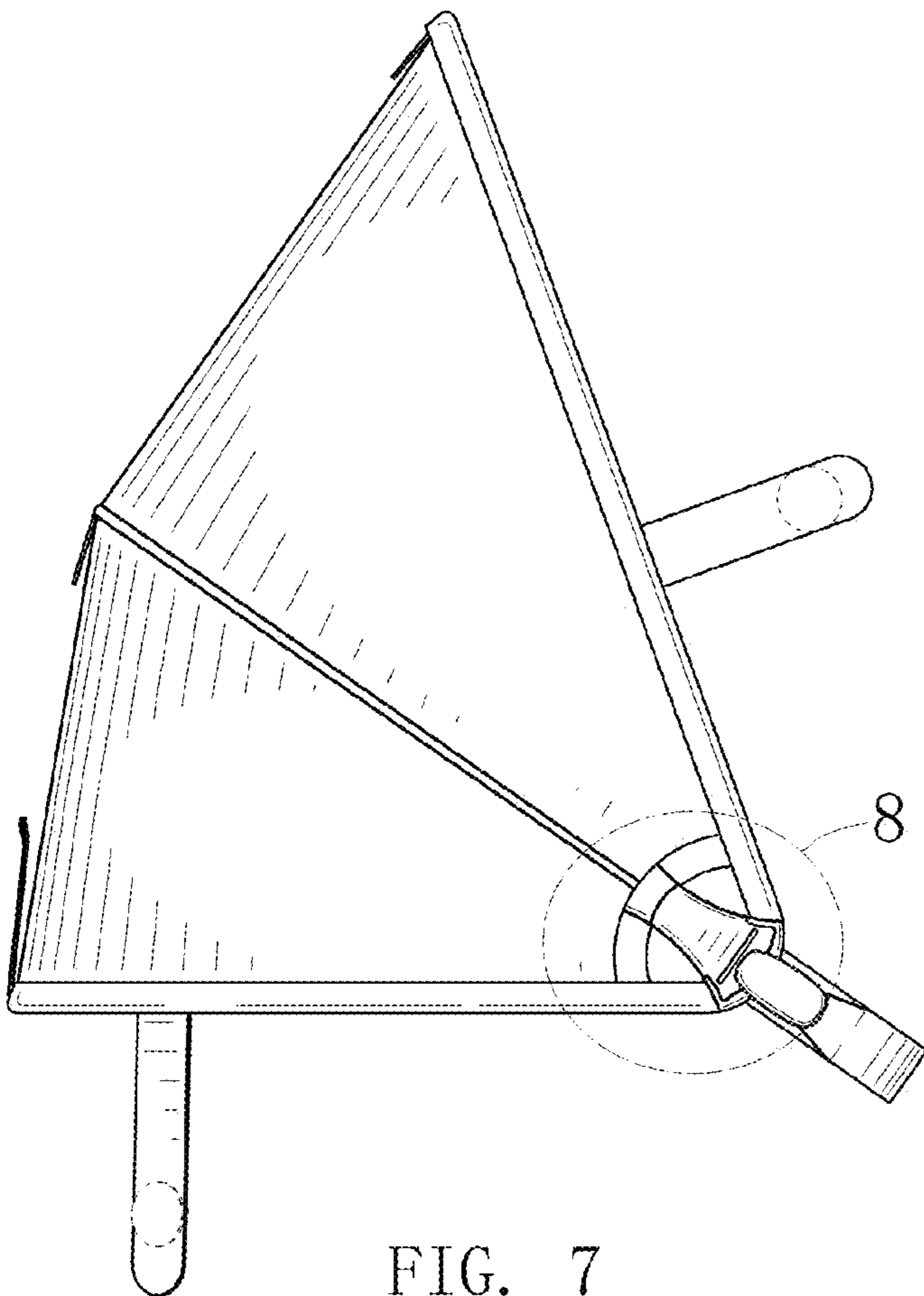


FIG. 7

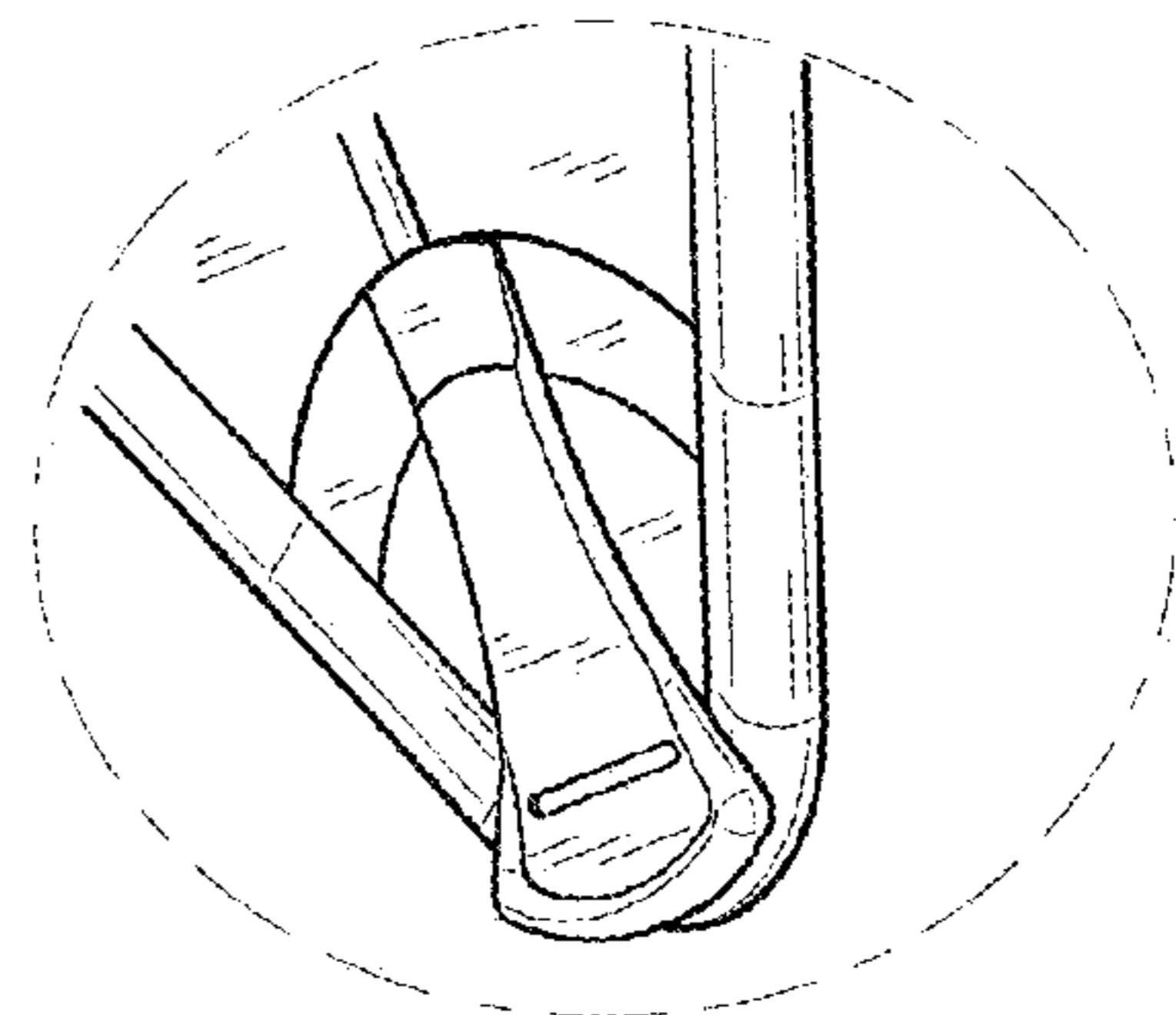


FIG. 8

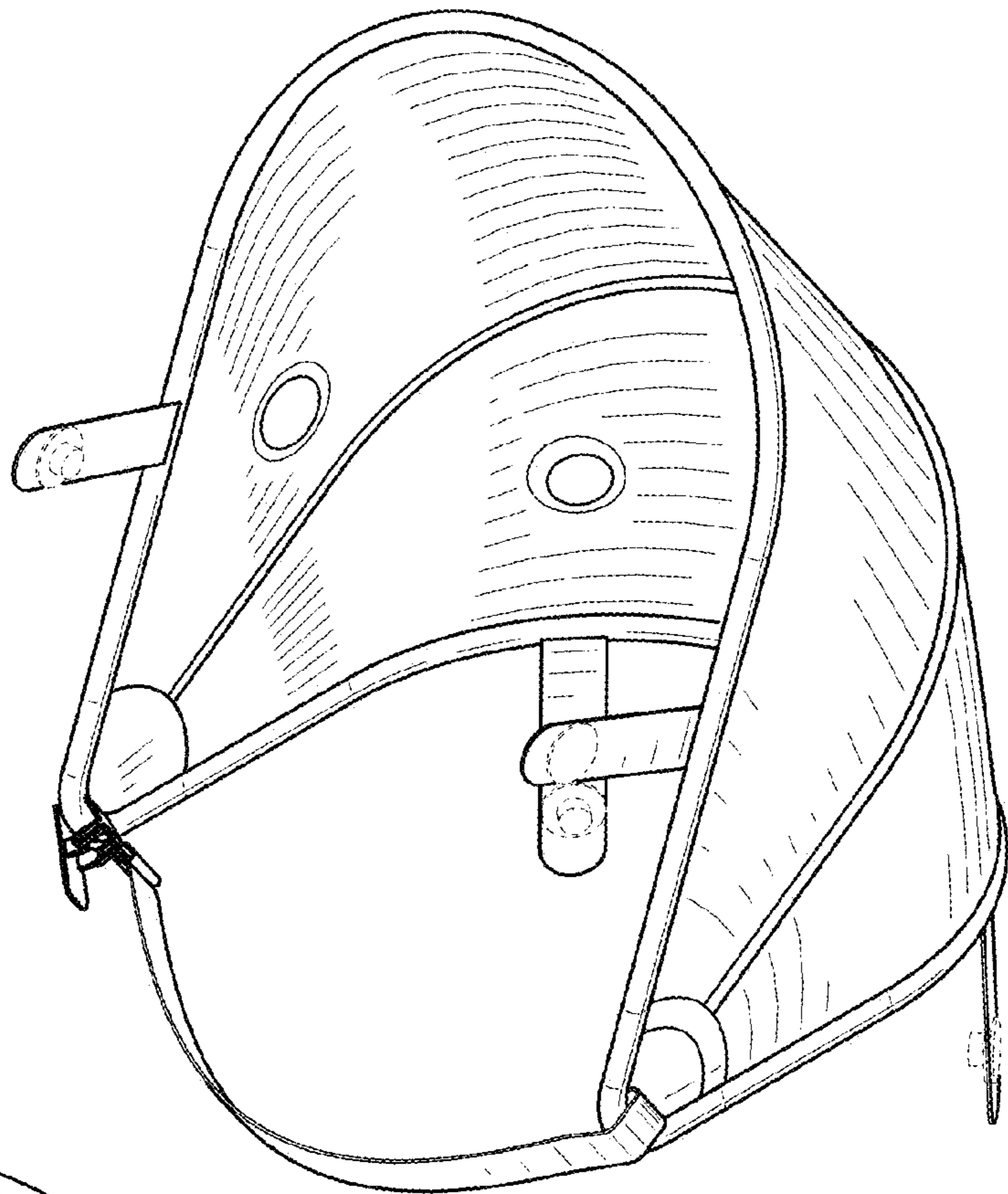


FIG. 9

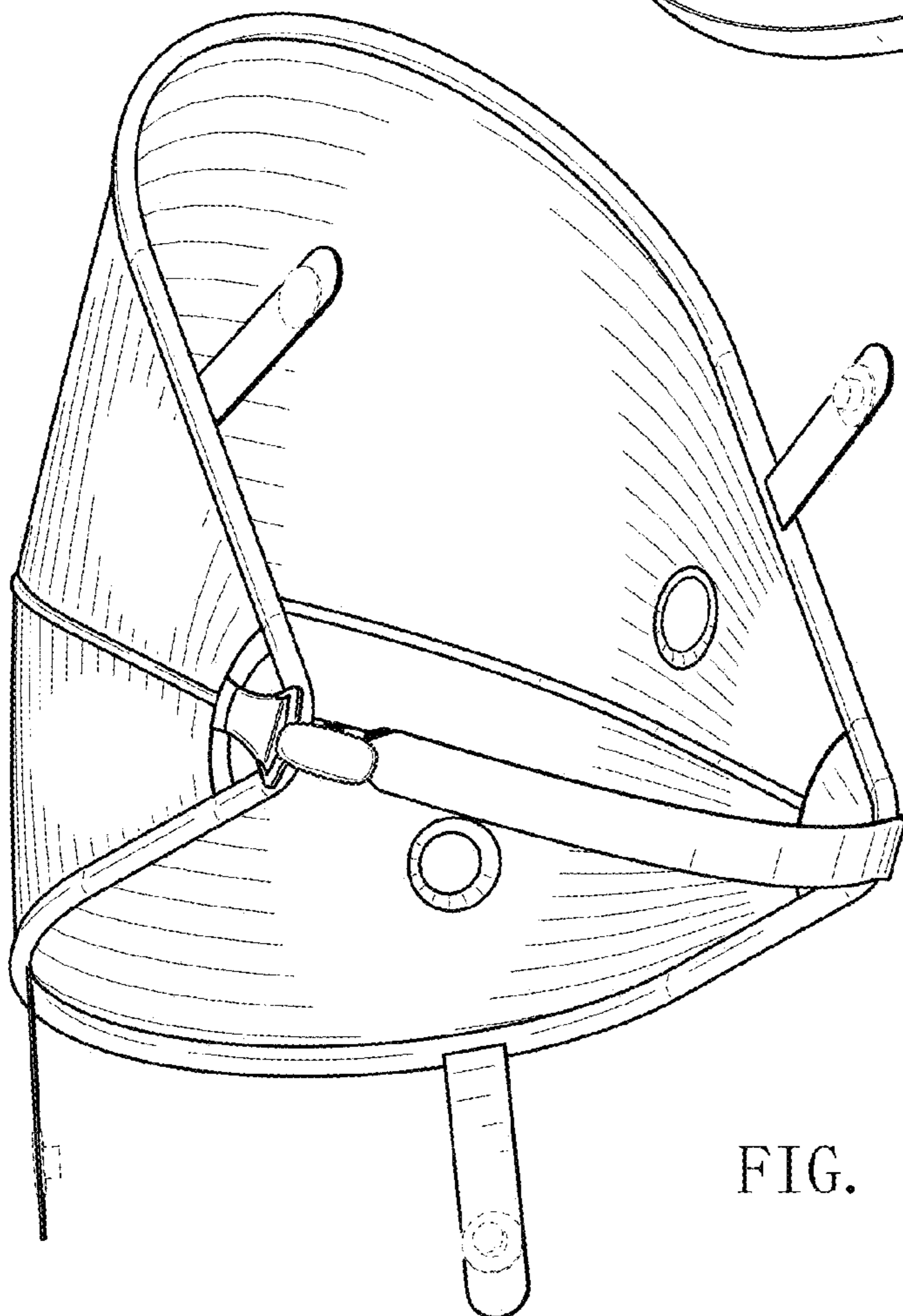


FIG. 10

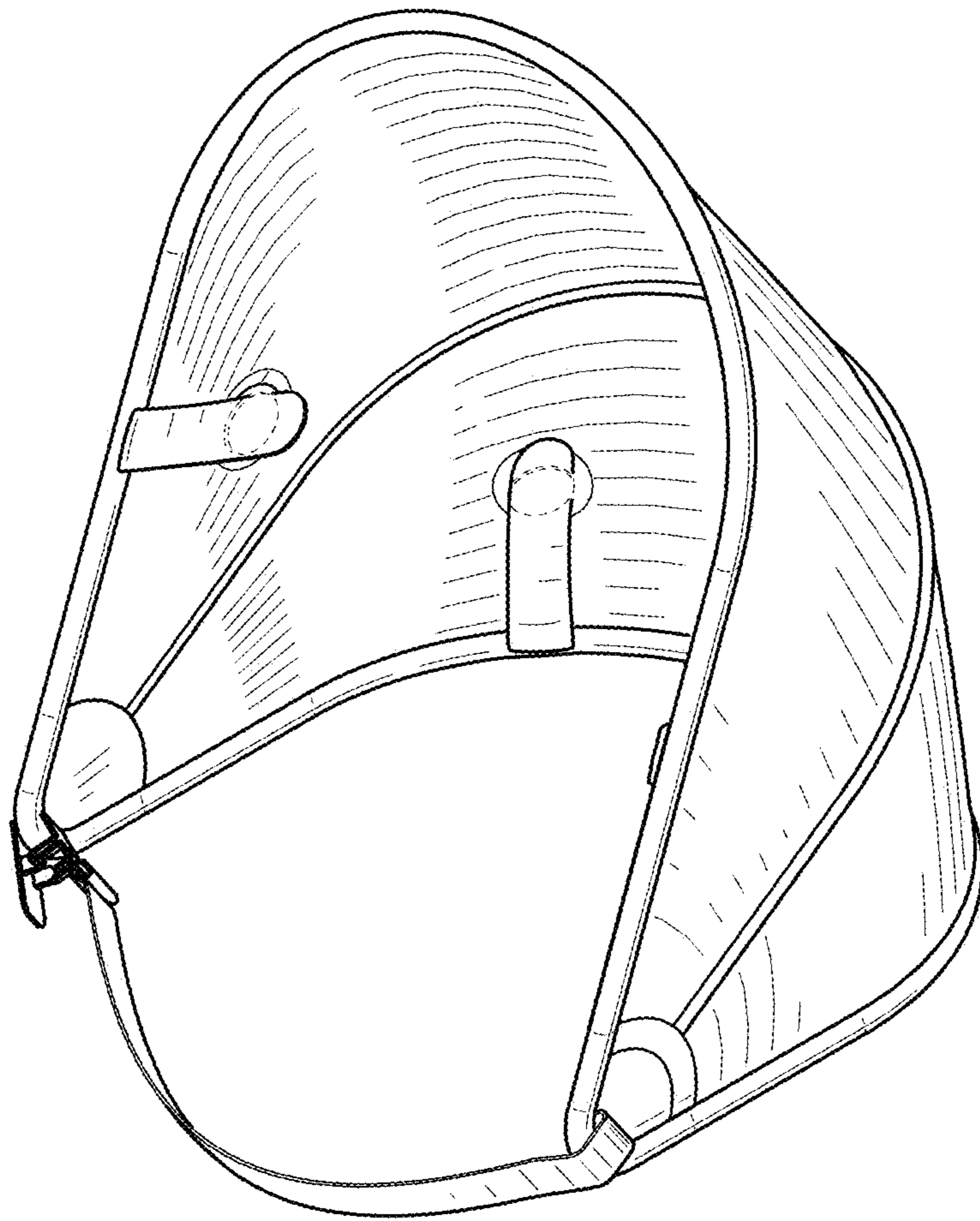


FIG. 11

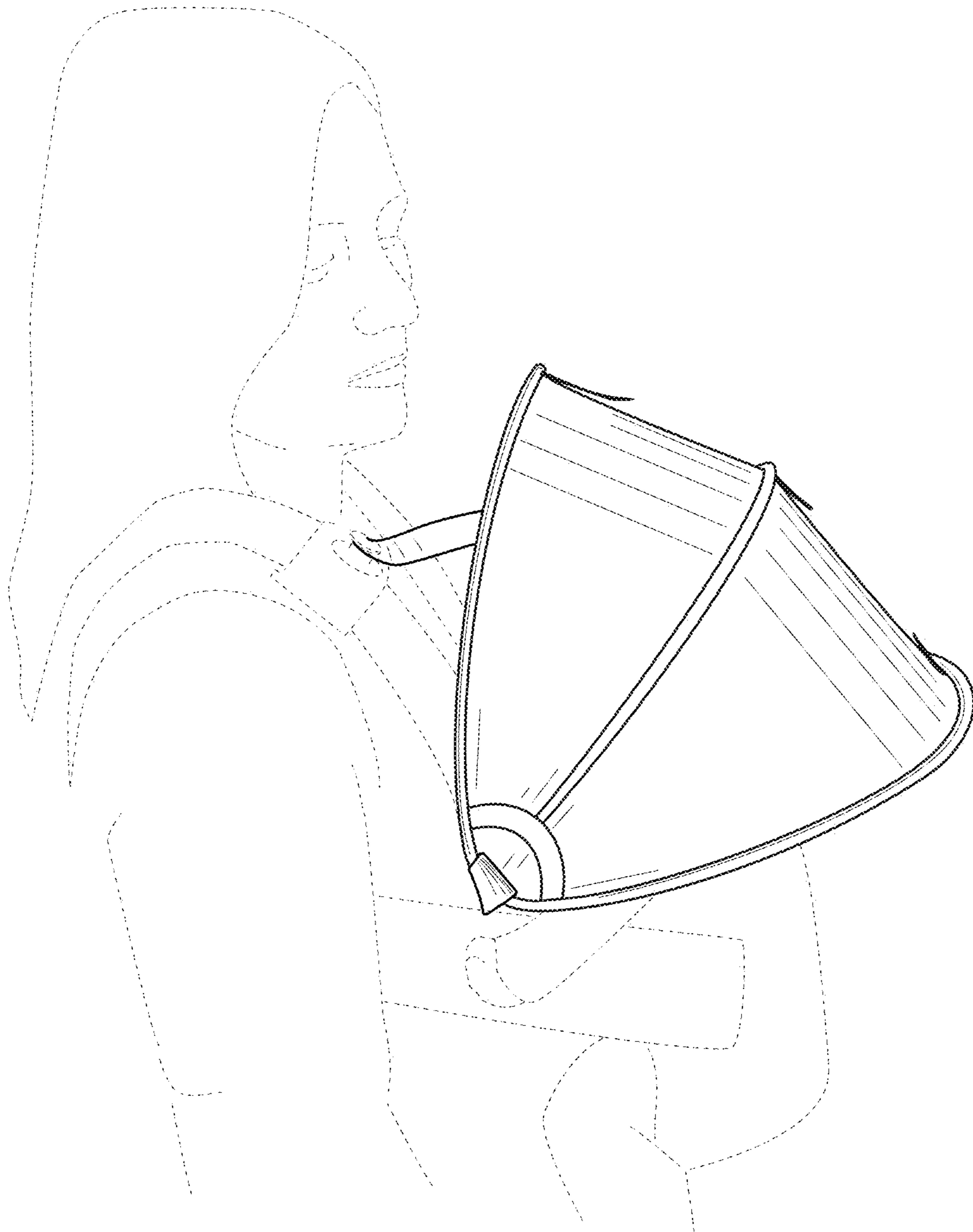


FIG. 12