



US00D955650S

(12) **United States Design Patent**
Johnson

(10) **Patent No.:** **US D955,650 S**
(45) **Date of Patent:** **** Jun. 21, 2022**

(54) **MOUTHGUARD**
(71) Applicant: **Guy R. Johnson**, Covington, GA (US)
(72) Inventor: **Guy R. Johnson**, Covington, GA (US)
(**) Term: **15 Years**

8,434,493 B1 * 5/2013 McGhie A41D 13/1161
2/209
8,437,491 B2 5/2013 Ward
D724,791 S 3/2015 Cram
8,996,382 B2 3/2015 McClung, III
(Continued)

(21) Appl. No.: **29/730,563**
(22) Filed: **Apr. 6, 2020**
(51) **LOC (13) Cl.** **29-02**
(52) **U.S. Cl.**
USPC **D29/108**
(58) **Field of Classification Search**
USPC D24/176, 181; D29/108
CPC . A63B 71/08; A63B 71/085; A63B 2071/086;
A63B 2071/088; A61C 7/08
See application file for complete search history.

FOREIGN PATENT DOCUMENTS

GB 4036455 * 8/2014

OTHER PUBLICATIONS

Amazon, "Aston Microphones Halo Portable Microphone Reflection Filter", first available Mar. 1, 2016. (<https://www.amazon.com/Aston-Microphones-Portable-Microphone-Reflection/dp/B01AXUDJ68/?th=1>) (Year: 2016).*
(Continued)

Primary Examiner — Lauren D McVey
Assistant Examiner — Justin A Johnson
(74) *Attorney, Agent, or Firm* — Todd A. Serbin; Nexsen Pruet, LLC

(56) **References Cited**

U.S. PATENT DOCUMENTS

2,023,900 A * 12/1935 Rally A45D 44/12
2/455
2,032,672 A * 3/1936 Smith A45D 44/12
132/333
D201,267 S 6/1965 Gentile
D214,919 S 8/1969 Moberger
3,478,799 A 11/1969 Hoyt, Jr.
D291,714 S 9/1987 Spiegel
5,533,131 A 7/1996 Kury
5,682,424 A 10/1997 Alcorn, Sr.
D392,705 S 3/1998 Spiegel
D455,891 S 4/2002 Biedrzycki
6,510,311 B1 1/2003 Stitt
D507,348 S 7/2005 Moore
6,935,458 B2 8/2005 Owens
D534,065 S 12/2006 Andre
D537,488 S 2/2007 Mazloompour
7,783,034 B2 8/2010 Manne
D655,458 S * 3/2012 Badger D29/108
D664,301 S * 7/2012 Ruvalcaba Moncada ... D29/108
D676,828 S 2/2013 Clark
D682,480 S * 5/2013 Hazard D29/108

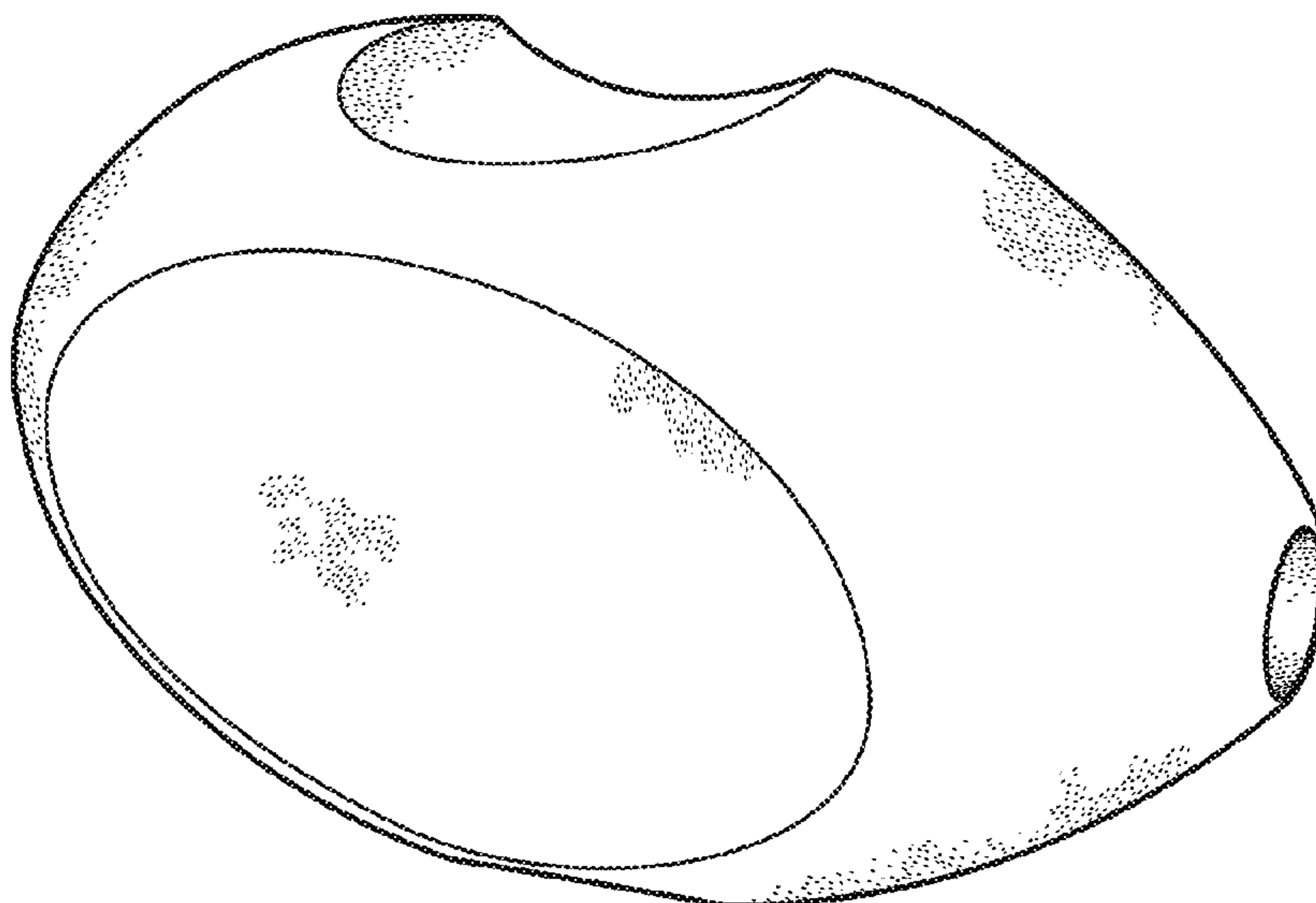
(57) **CLAIM**

The ornamental design for a mouthguard, as shown and described.

DESCRIPTION

FIG. 1 is a front perspective view of the ornamental design for a mouthguard;
FIG. 2 is a front view thereof;
FIG. 3 is a front cross-sectional view thereof, taken at line 3-3 of FIG. 6;
FIG. 4 is a rear view thereof;
FIG. 5 is a top view thereof;
FIG. 6 is a left view thereof;
FIG. 7 is a right view thereof; and,
FIG. 8 is a bottom view thereof.

1 Claim, 3 Drawing Sheets



(56)

References Cited

U.S. PATENT DOCUMENTS

D726,970 S 4/2015 Martin
 D727,570 S * 4/2015 Brett D29/108
 D731,459 S 6/2015 Paslawski
 9,241,203 B2 1/2016 Ball
 D770,691 S 11/2016 Bayer
 9,525,765 B2 12/2016 Moser
 D778,431 S 2/2017 Glickfield
 9,614,945 B1 4/2017 Moser
 D813,202 S * 3/2018 Johnson D14/299
 10,172,398 B2 1/2019 Saco
 10,542,339 B1 * 1/2020 Ruth H04R 1/086
 10,959,004 B2 * 3/2021 Ketzner H04R 1/1091
 2008/0134402 A1 6/2008 Bailey
 2008/0304690 A1 12/2008 Poindexter
 2010/0034412 A1 2/2010 Parda
 2015/0182765 A1 * 7/2015 Saco A41D 13/1161
 128/863
 2016/0255432 A1 9/2016 Casso Villareal
 2019/0091546 A1 * 3/2019 Chu A63B 71/085
 2020/0322708 A1 * 10/2020 Johnson H04R 1/222

OTHER PUBLICATIONS

Amazon, "Sunmns 10 Pack Mini Size Lapel Headset Microphone Windscreen Foam Cover", first available Apr. 22, 2017. (<https://www.amazon.com/Sunmns-ch05-cover-Headset-Microphone-Windscreen/dp/B0718THT3F>) (Year: 2017).*

Walmart, "Uxcell 159mm Long Black Mic Cover Headset Windscreen Foam", first available Jun. 8, 2021. (<https://www.walmart.com/ip/Uxcell-159mm-Long-Black-Mic-Cover-Headset-Windscreen-Foam/300611611>) (Year: 2021).*

Lipsshields.com, "Demonstration", first accessed Jan. 28, 2022. (<https://www.lipsshields.com/demonstration>) (Year: 2022).*

* cited by examiner

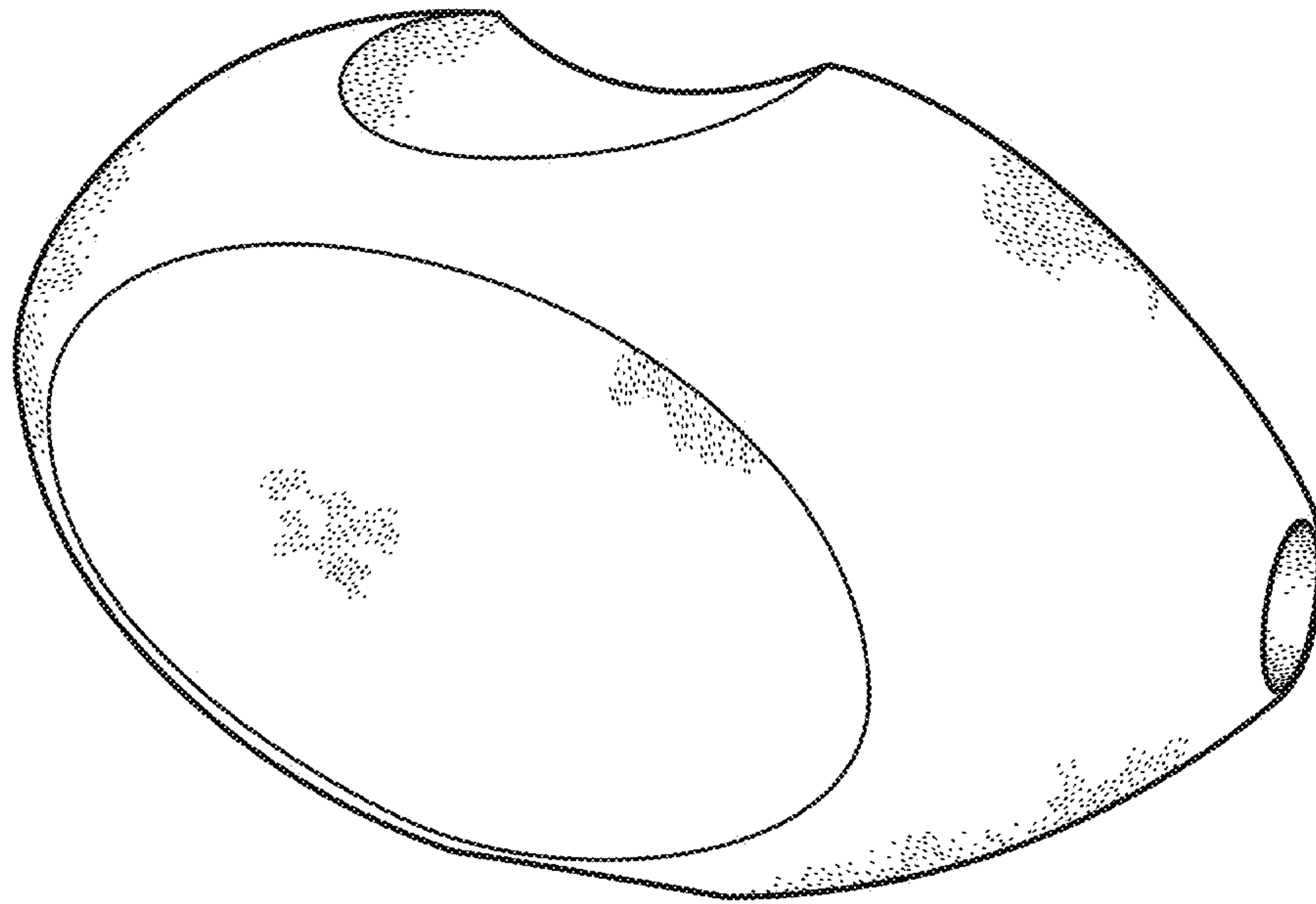


FIG.1

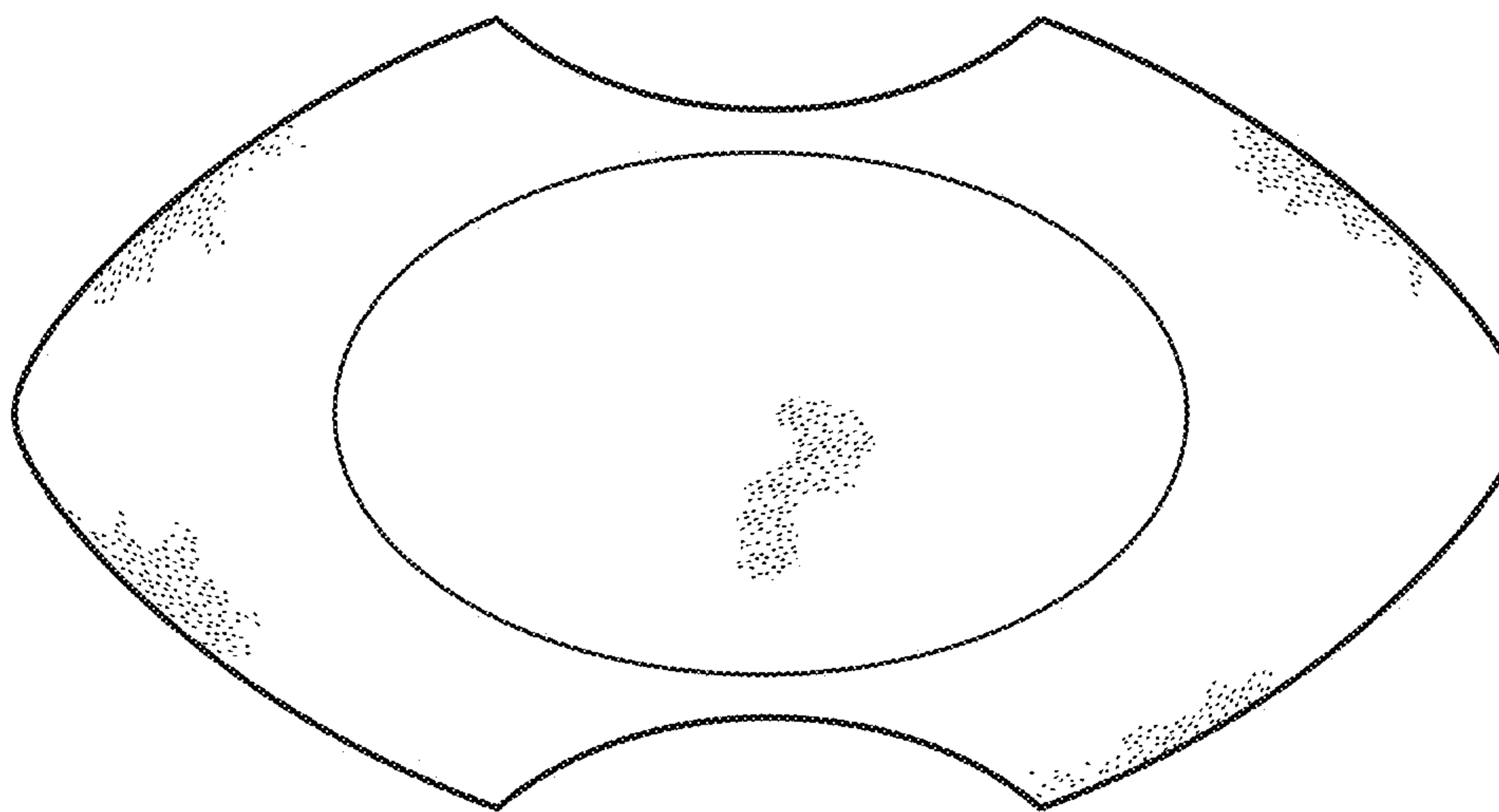


FIG.2

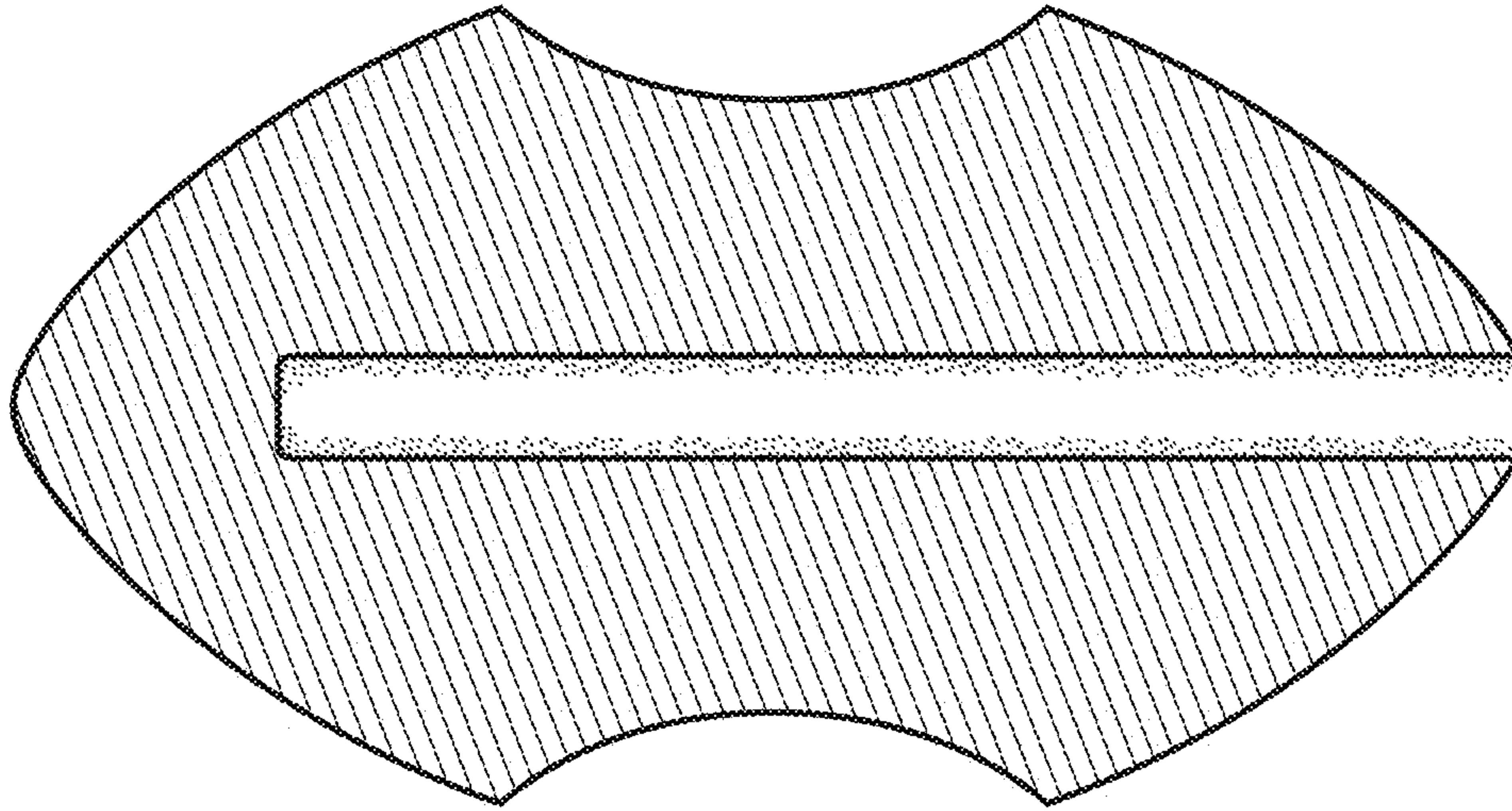


FIG. 3

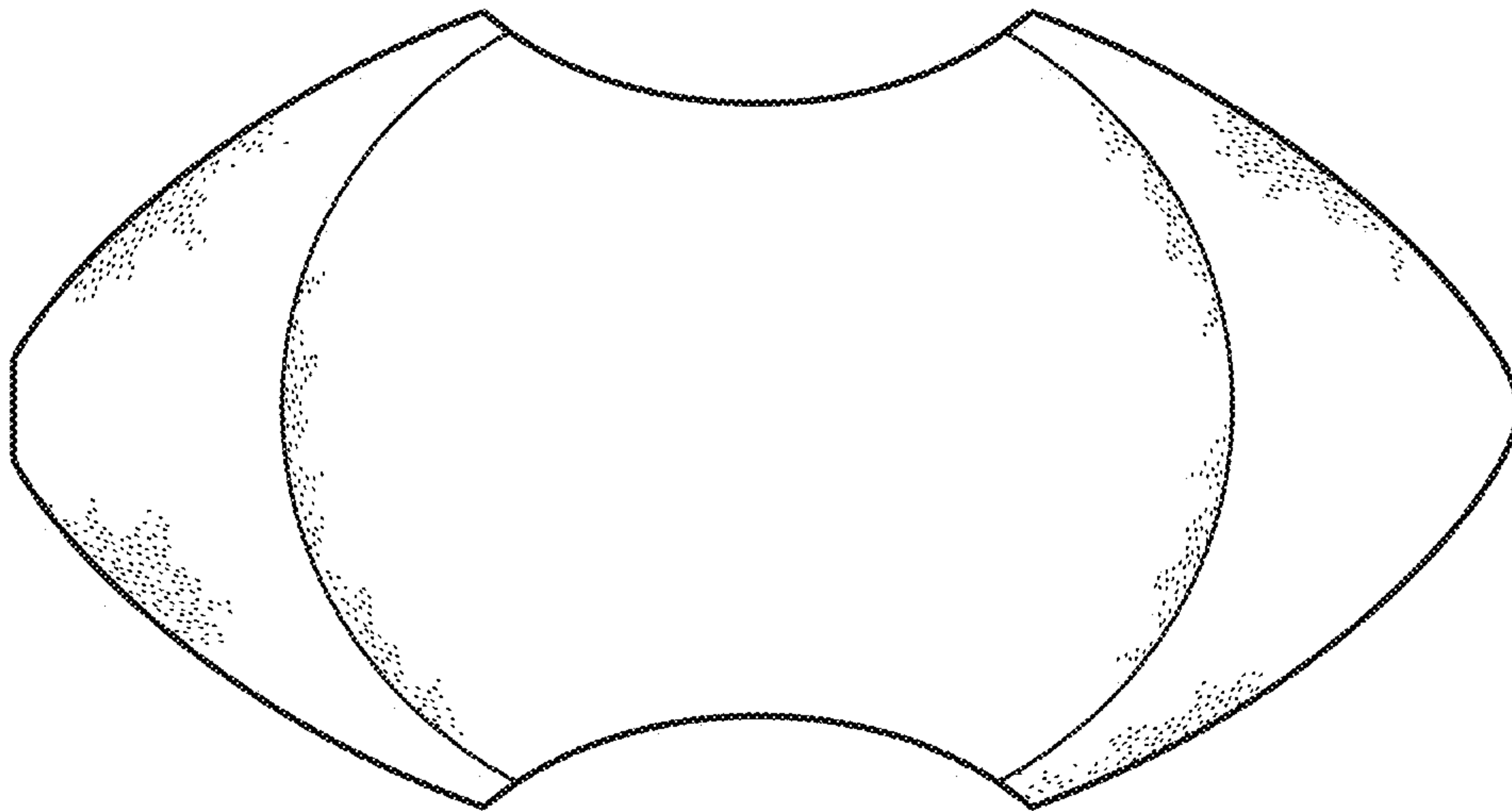


FIG. 4

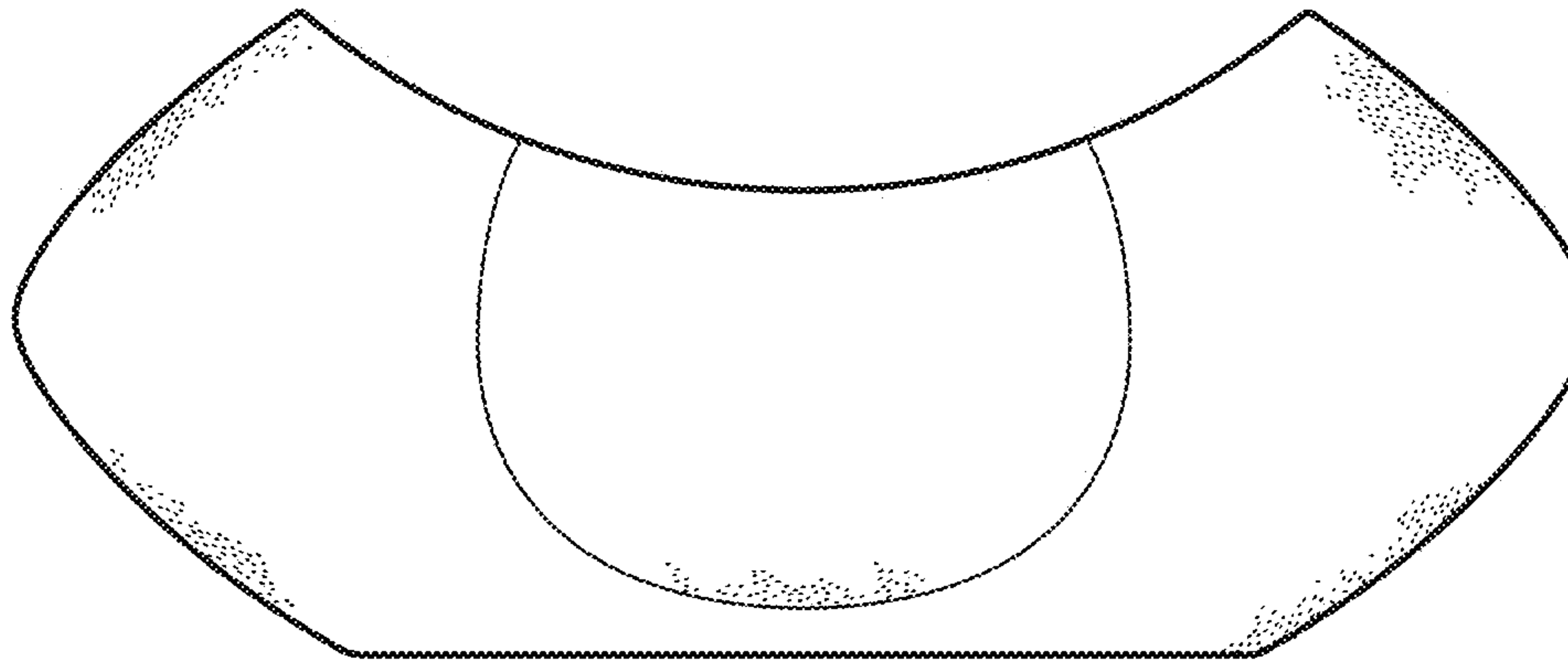


FIG. 5

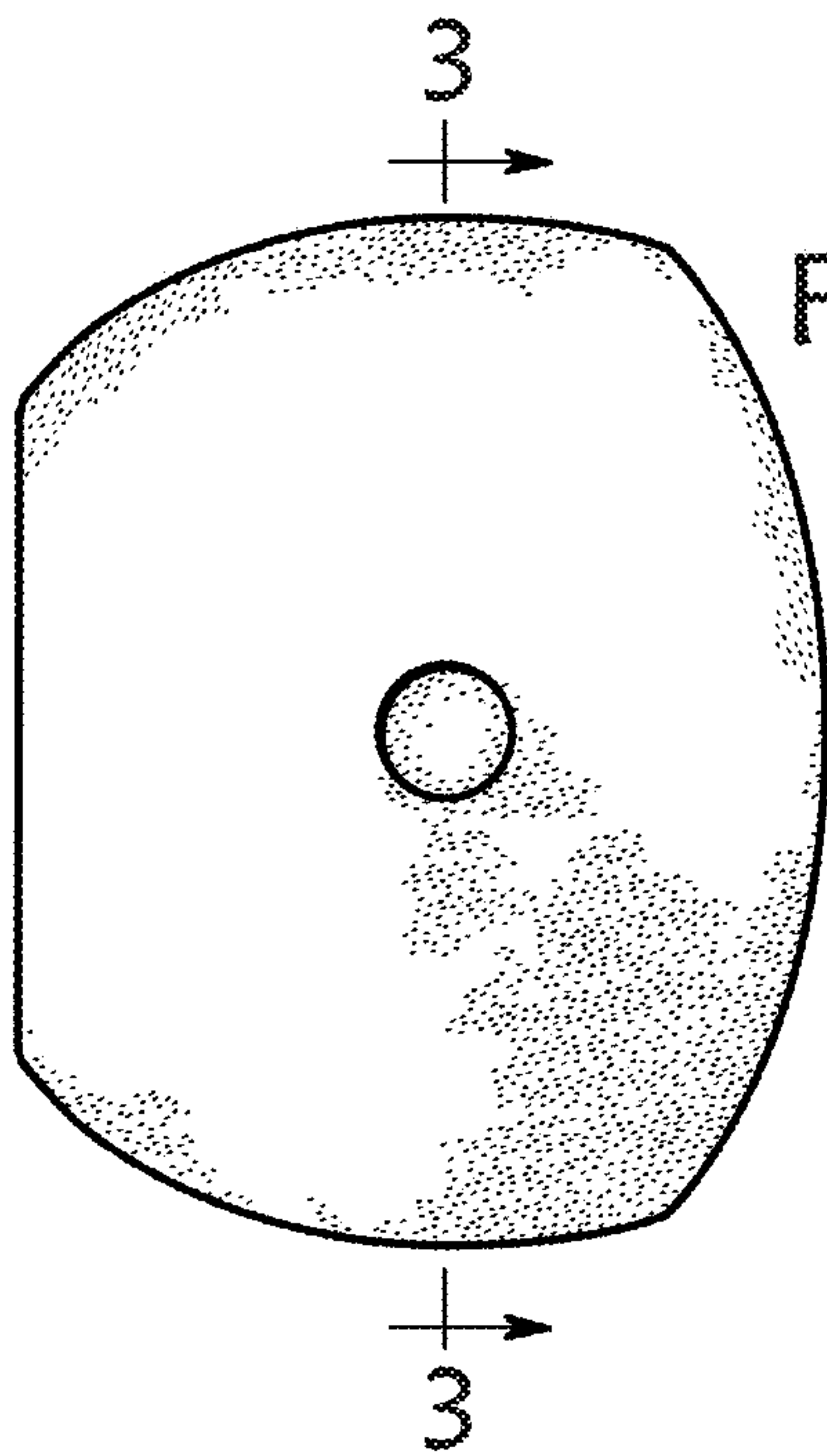


FIG. 6



FIG. 7

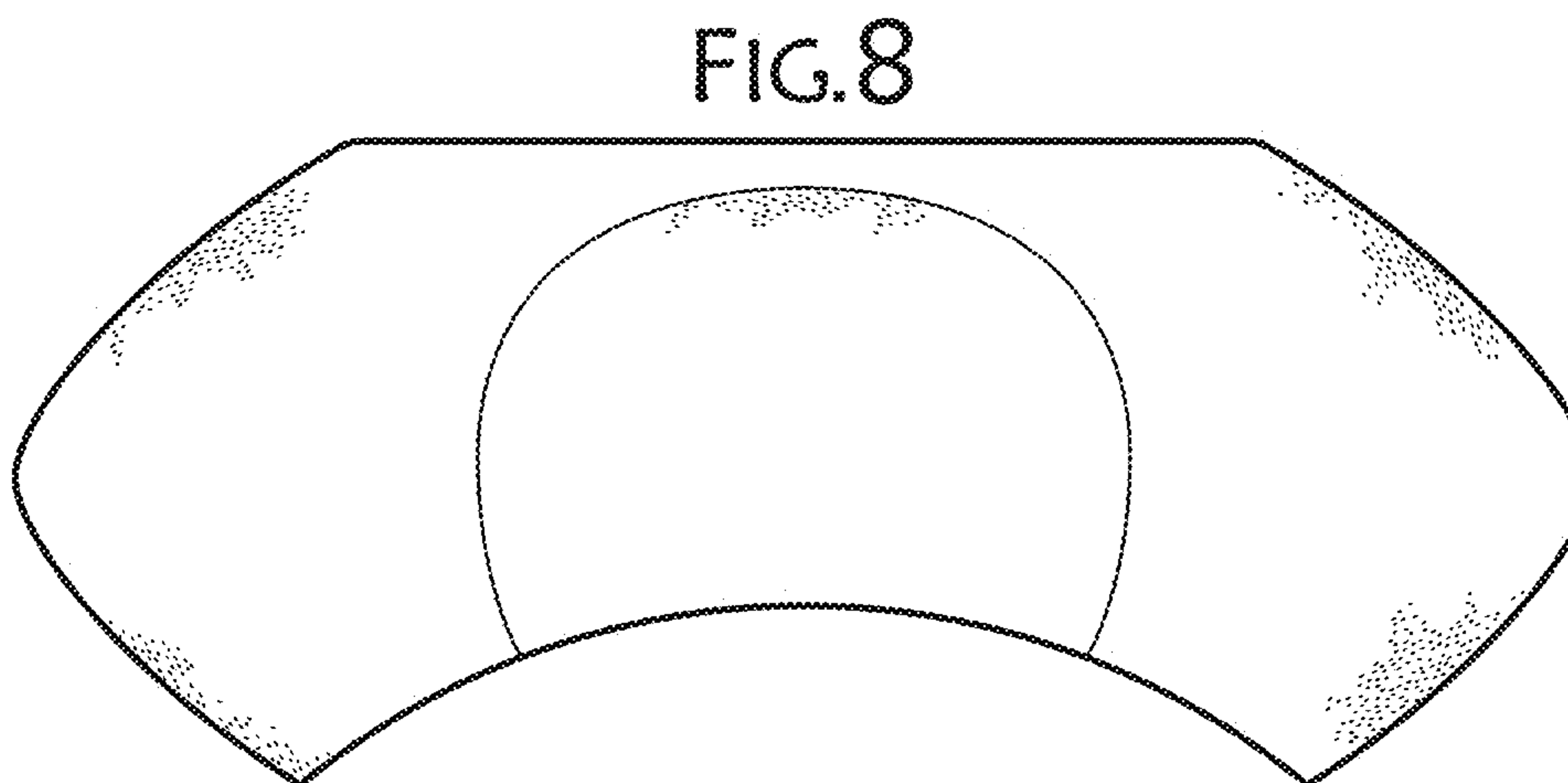


FIG. 8