



US00D955642S

(12) **United States Design Patent** (10) **Patent No.:** **US D955,642 S**
Van Roosmalen et al. (45) **Date of Patent:** **** Jun. 21, 2022**

(54) **SHAVER**

Primary Examiner — Jennifer Rivard

(71) Applicant: **KONINKLIJKE PHILIPS N.V.**,
Eindhoven (NL)

(57) **CLAIM**

(72) Inventors: **Jos Van Roosmalen**, Amsterdam (NL);
Frank Verbrugge, Rosmalen (NL);
Jens Andersson, Amsterdam (NL);
Roel Krooshof, Bilthoven (NL); **Simon**
Van Anken, Amsterdam (NL); **Peter**
Gal, Amsterdam (NL); **Lieven**
Adriaenssen, Vilvoorde (BE); **Roshan**
Hakkim, Amsterdam (NL); **Mingshuo**
Zhang, Amstelveen (NL)

The ornamental design for a shaver, as shown and described.

DESCRIPTION

(73) Assignee: **KONINKLIJKE PHILIPS N.V.**,
Eindhoven (NL)

FIG. 1 is a perspective view showing the first embodiment of a shaver;
FIG. 2 is a front elevational view thereof;
FIG. 3 is a rear elevational view thereof;
FIG. 4 is a right side elevational view thereof;
FIG. 5 is a left side elevational view thereof;
FIG. 6 is a top plan view thereof;
FIG. 7 is a bottom plan view thereof;
FIG. 8 is a perspective view showing the second embodiment of a shaver;
FIG. 9 is a front elevational view thereof;
FIG. 10 is a rear elevational view thereof;
FIG. 11 is a right side elevational view thereof;
FIG. 12 is a left side elevational view thereof;
FIG. 13 is a top plan view thereof;
FIG. 14 is a bottom plan view thereof;
FIG. 15 is a perspective view showing the third embodiment of a shaver;
FIG. 16 is a front elevational view thereof;
FIG. 17 is a rear elevational view thereof;
FIG. 18 is a right side elevational view thereof;
FIG. 19 is a left side elevational view thereof;
FIG. 20 is a top plan view thereof;
FIG. 21 is a bottom plan view thereof;
FIG. 22 is a perspective view showing the fourth embodiment of a shaver;
FIG. 23 is a front elevational view thereof;
FIG. 24 is a rear elevational view thereof;
FIG. 25 is a right side elevational view thereof;
FIG. 26 is a left side elevational view thereof;
FIG. 27 is a top plan view thereof; and,
FIG. 28 is a bottom plan view thereof.

(**) Term: **15 Years**

(21) Appl. No.: **29/810,242**

(22) Filed: **Oct. 4, 2021**

Related U.S. Application Data

(62) Division of application No. 29/723,218, filed on Feb. 5, 2020, now Pat. No. Des. 932,698.

(30) **Foreign Application Priority Data**

Aug. 6, 2019 (EM) 006684858

(51) **LOC (13) Cl.** **28-03**

(52) **U.S. Cl.**
USPC **D28/50**

(58) **Field of Classification Search**
USPC D28/49-54

(Continued)

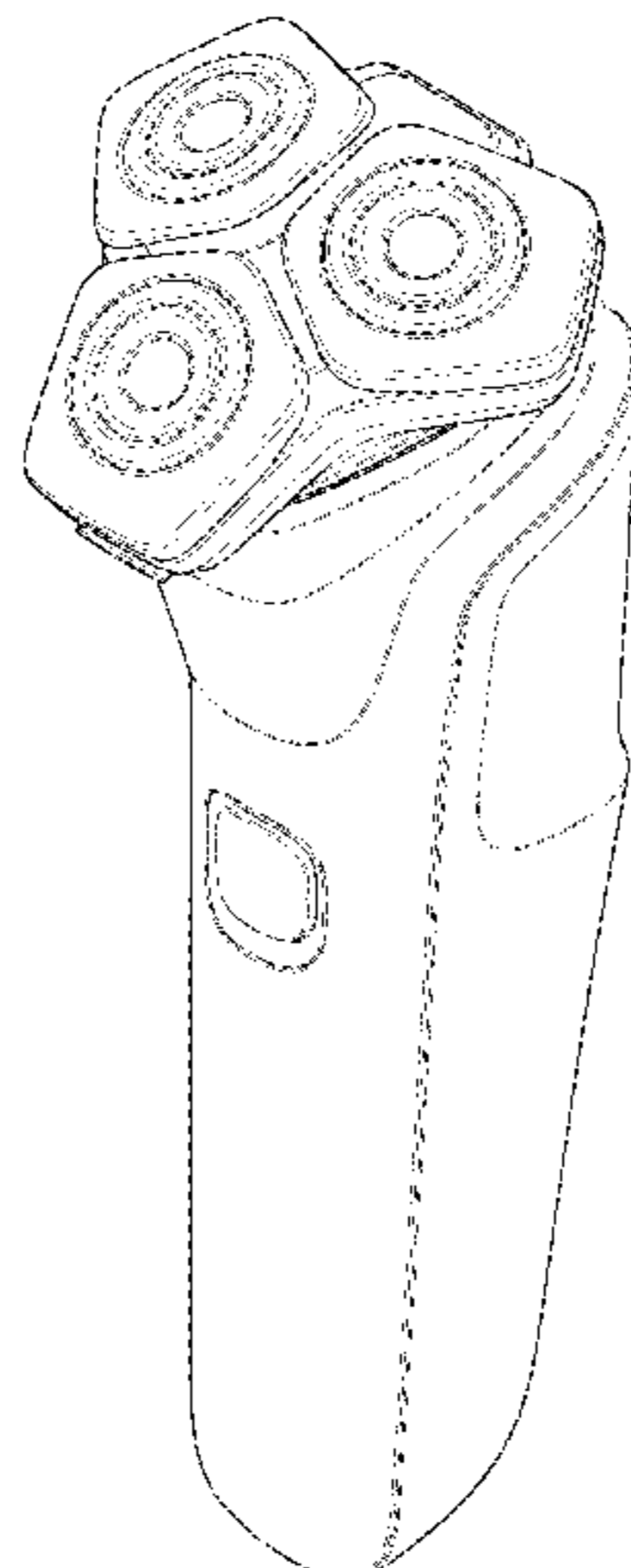
(56) **References Cited**

U.S. PATENT DOCUMENTS

D758,014 S * 5/2016 Smith D28/50
D758,017 S * 5/2016 Smith D28/54

(Continued)

1 Claim, 24 Drawing Sheets



(58) **Field of Classification Search**

CPC B26B 19/14–18; B26B 19/38; B26B
19/3853–3893; B26B 19/3806–384

See application file for complete search history.

(56) **References Cited**

U.S. PATENT DOCUMENTS

D777,375 S * 1/2017 Frankel D28/50
D777,376 S * 1/2017 Frankel D28/50
9,919,437 B2 * 3/2018 Veltman B26B 19/388
D848,072 S * 5/2019 Prat-Pfister D28/50
10,357,890 B2 * 7/2019 Yan B26B 19/3866
10,471,612 B2 * 11/2019 Shimizu B26B 19/146
D880,064 S * 3/2020 Andersson D28/50
D884,972 S * 5/2020 Andersson D28/50
D889,042 S * 6/2020 Andersson D28/50
10,926,425 B2 * 2/2021 Zak B26B 19/3846
D912,902 S * 3/2021 Andersson D28/50
D914,290 S * 3/2021 Kulshreshtha D28/50
10,946,536 B2 * 3/2021 Winters B26B 19/146
D932,697 S * 10/2021 Van Roosmalen D28/50
D932,698 S * 10/2021 Van Roosmalen D28/50
D932,699 S * 10/2021 Van Roosmalen D28/50
D932,700 S * 10/2021 Van Roosmalen D28/50
D933,894 S * 10/2021 Van Roosmalen D28/50
D934,502 S * 10/2021 Van Roosmalen D28/50
2021/0069920 A1 * 3/2021 Kulshreshtha B26B 19/386

* cited by examiner

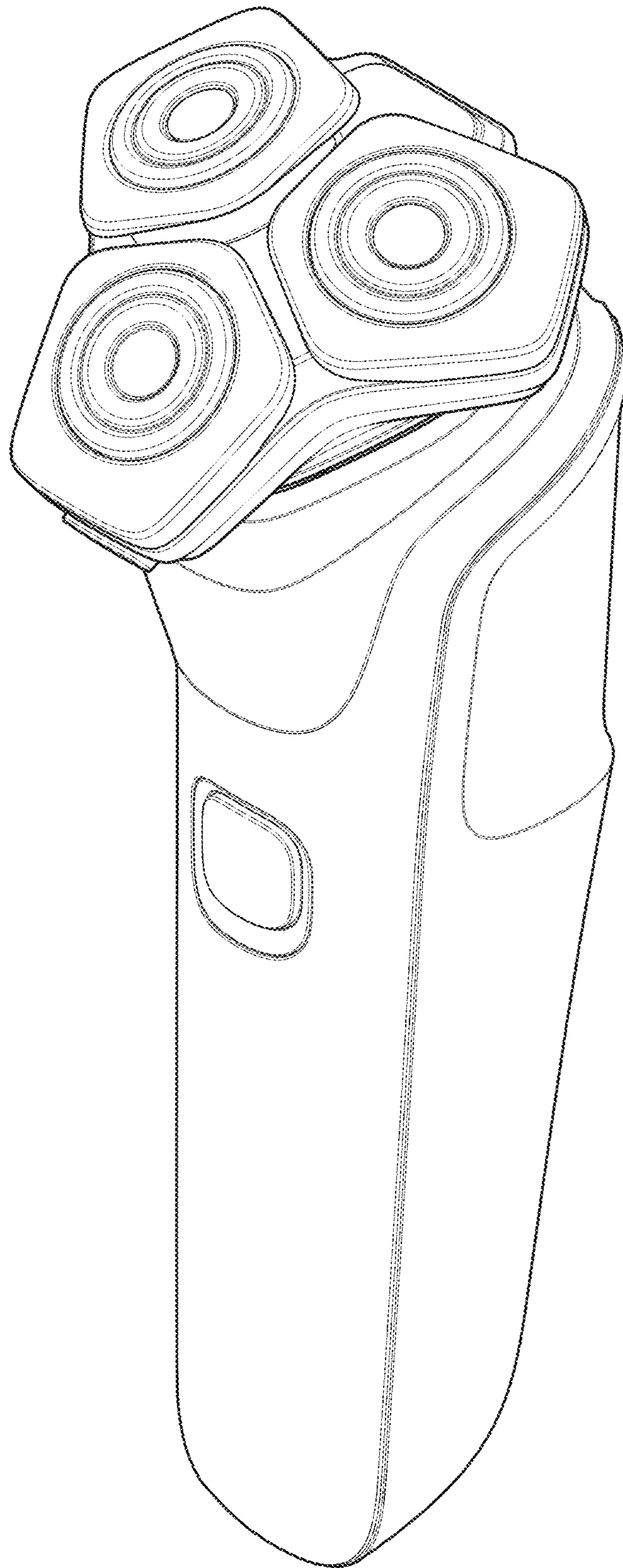


FIG. 1

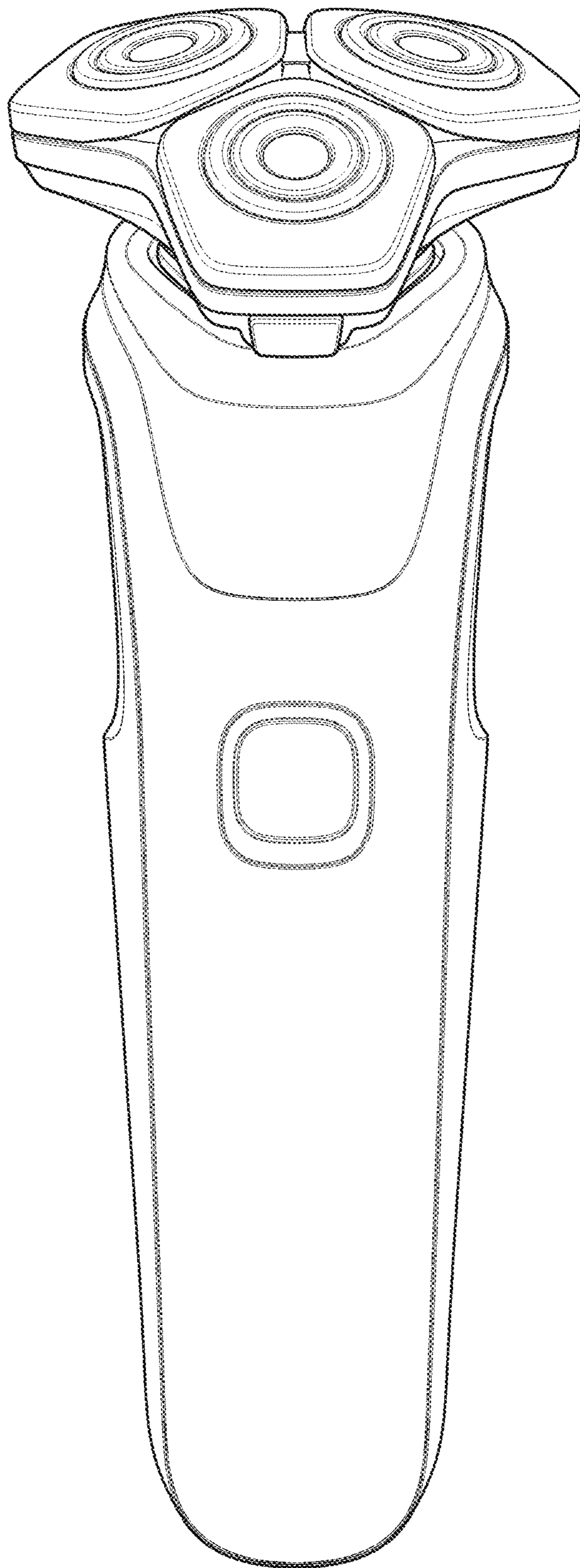


FIG. 2

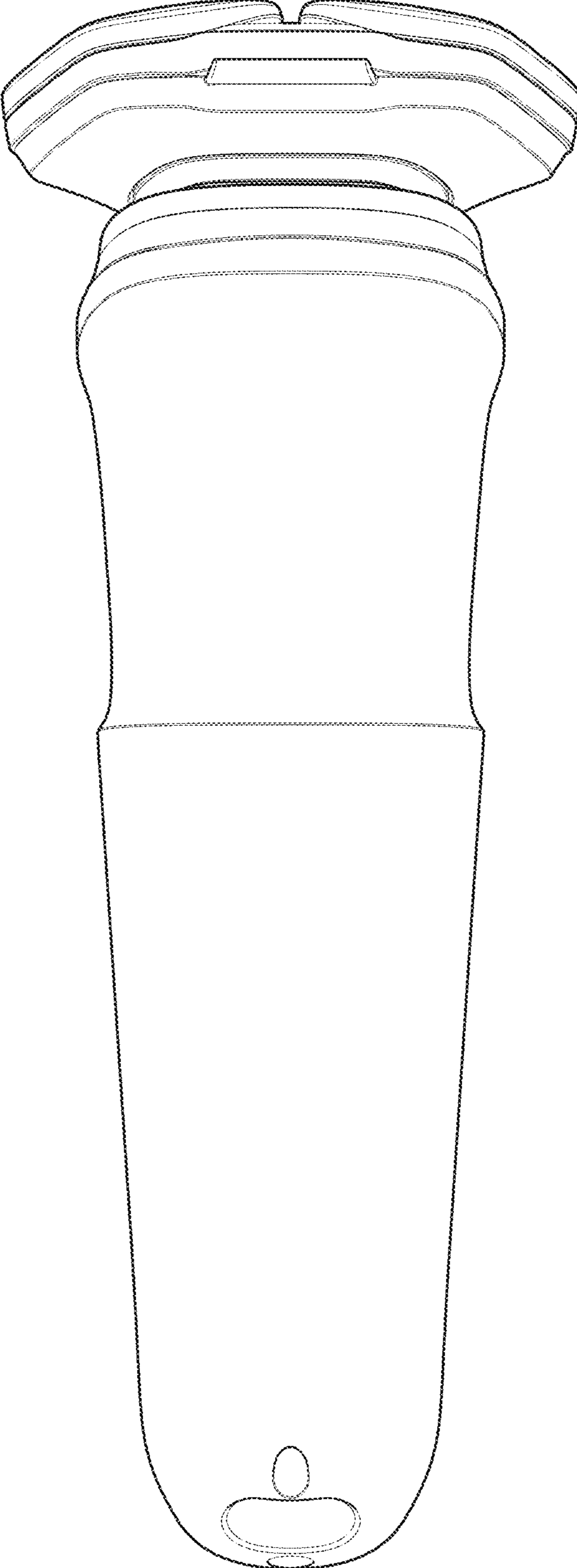


FIG. 3

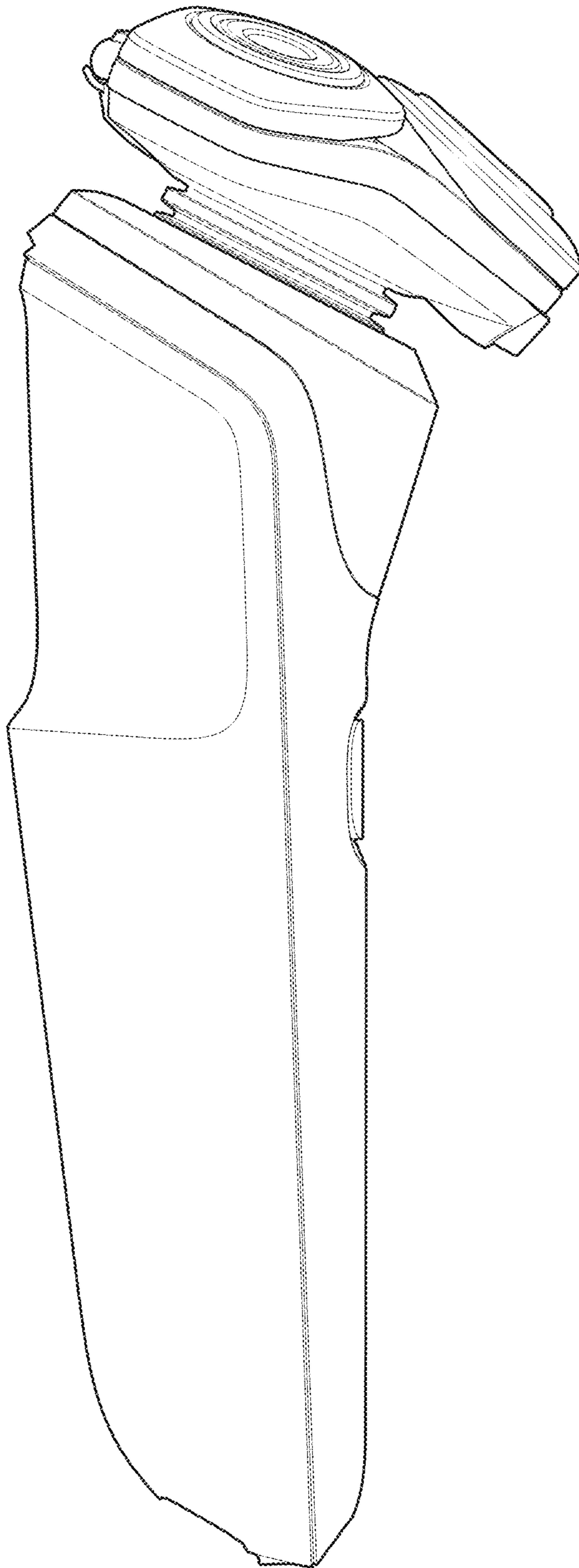


FIG. 4

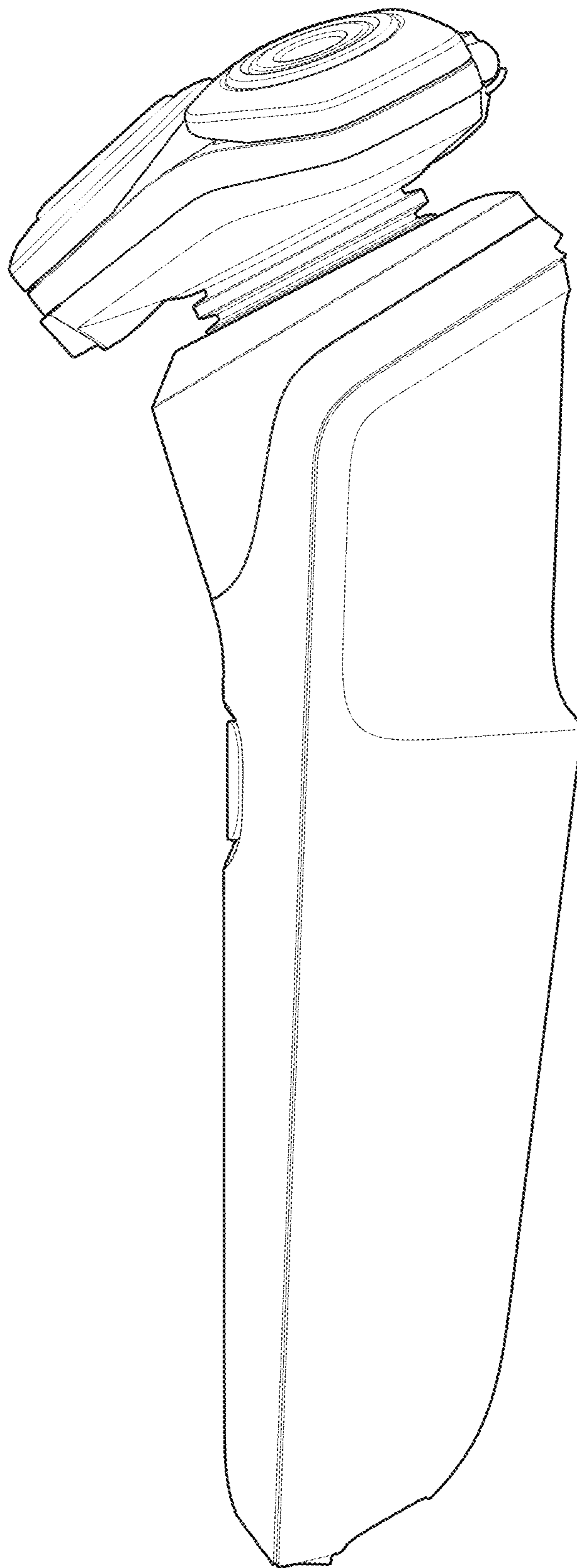


FIG. 5

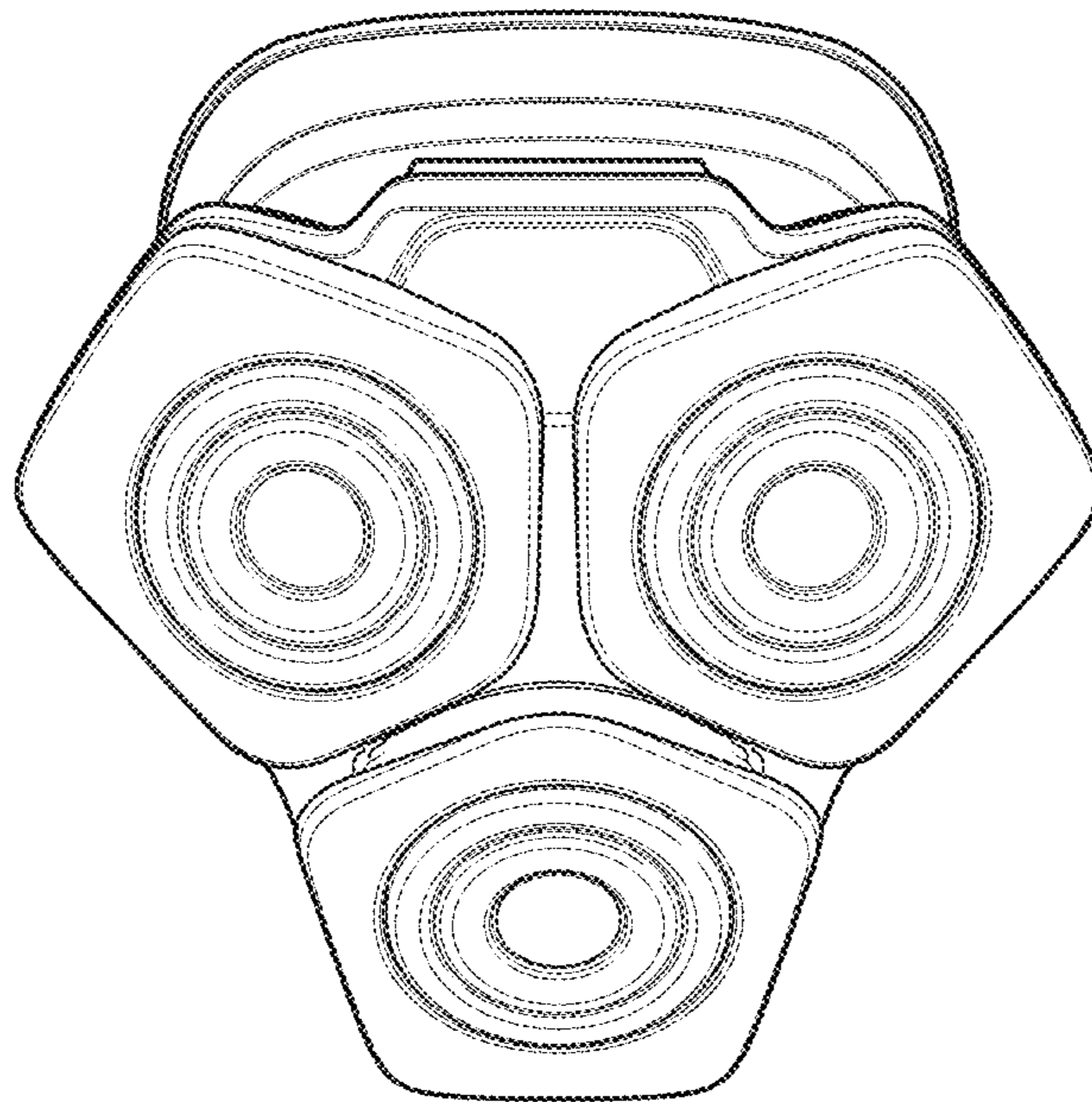


FIG. 6

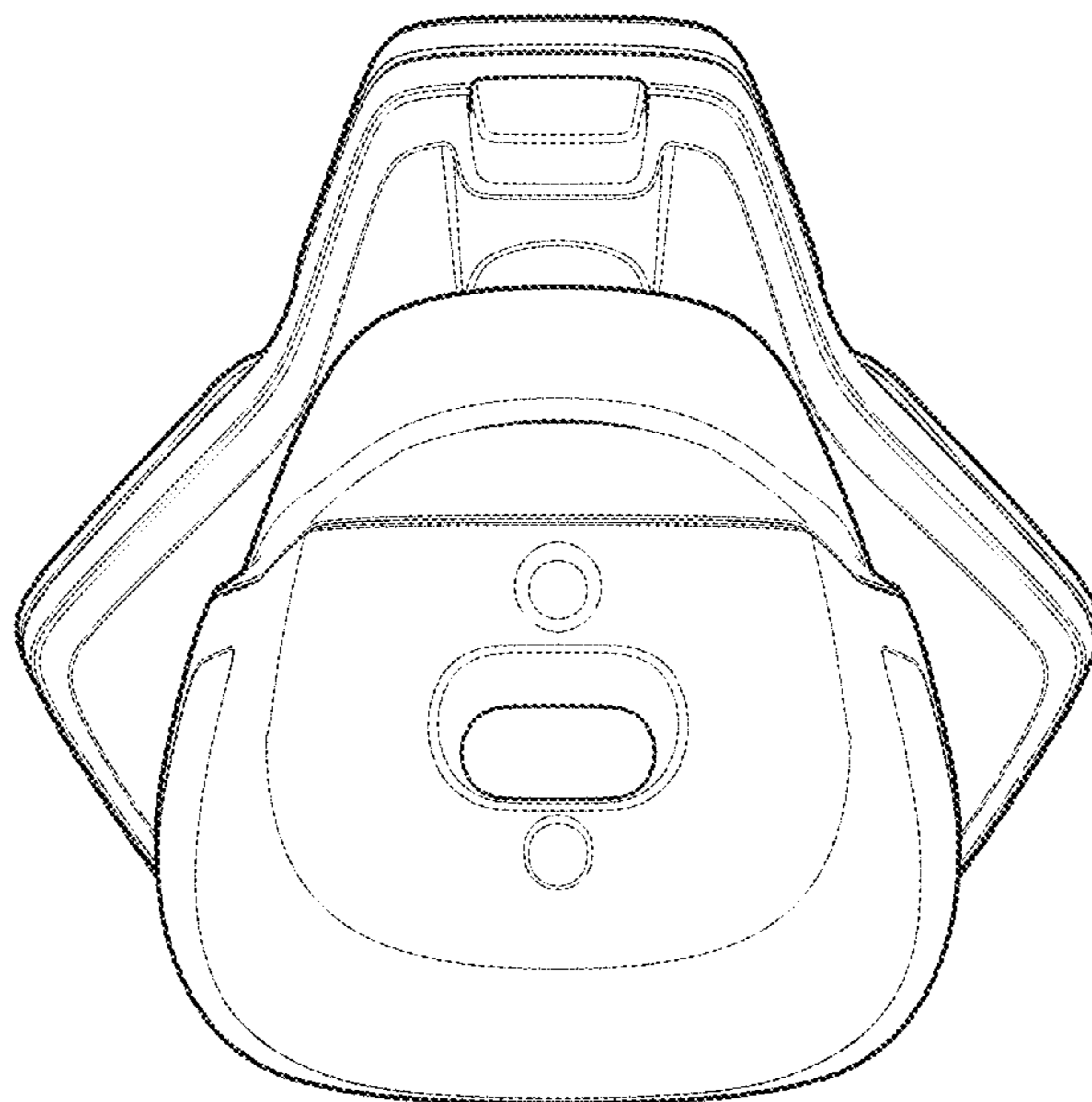


FIG. 7

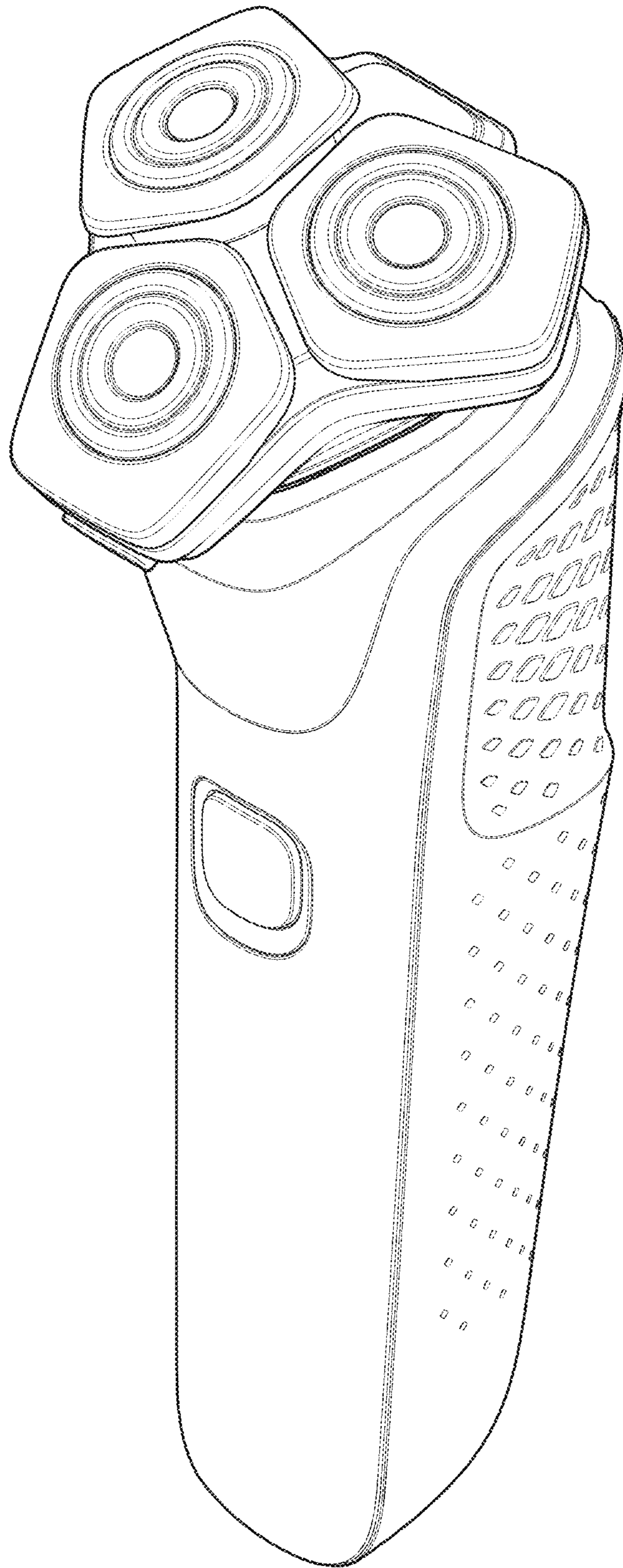


FIG. 8

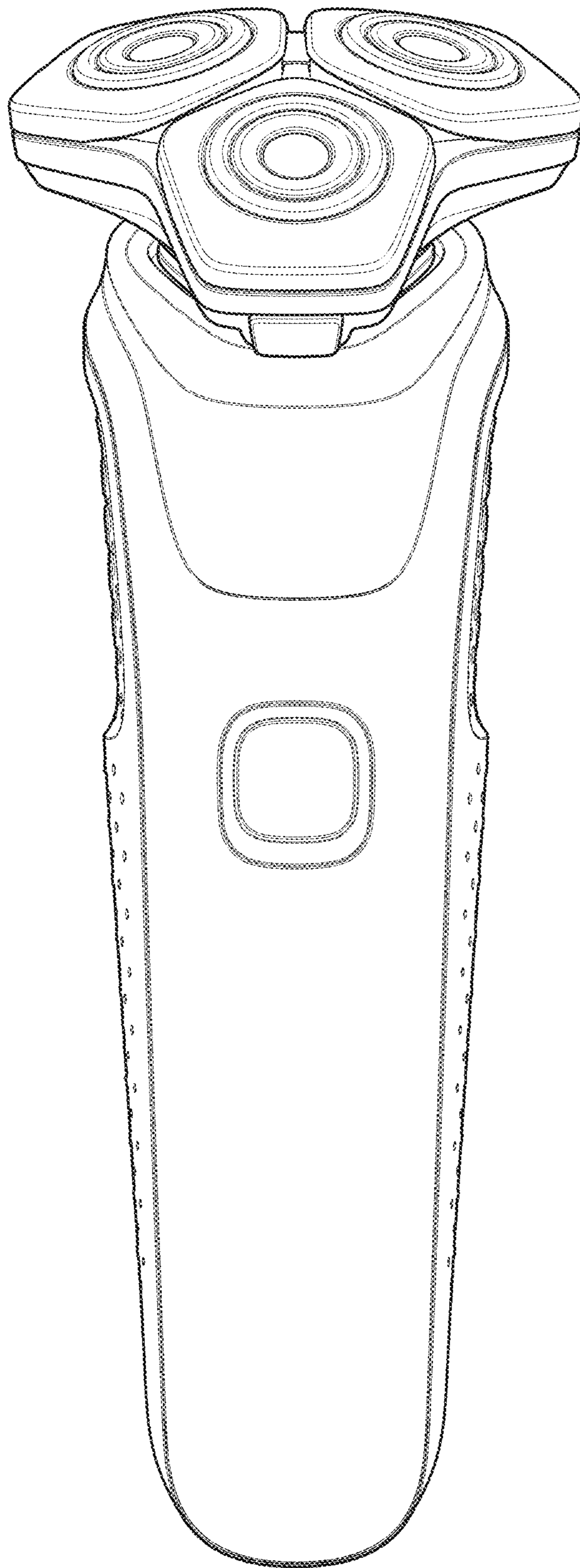


FIG. 9

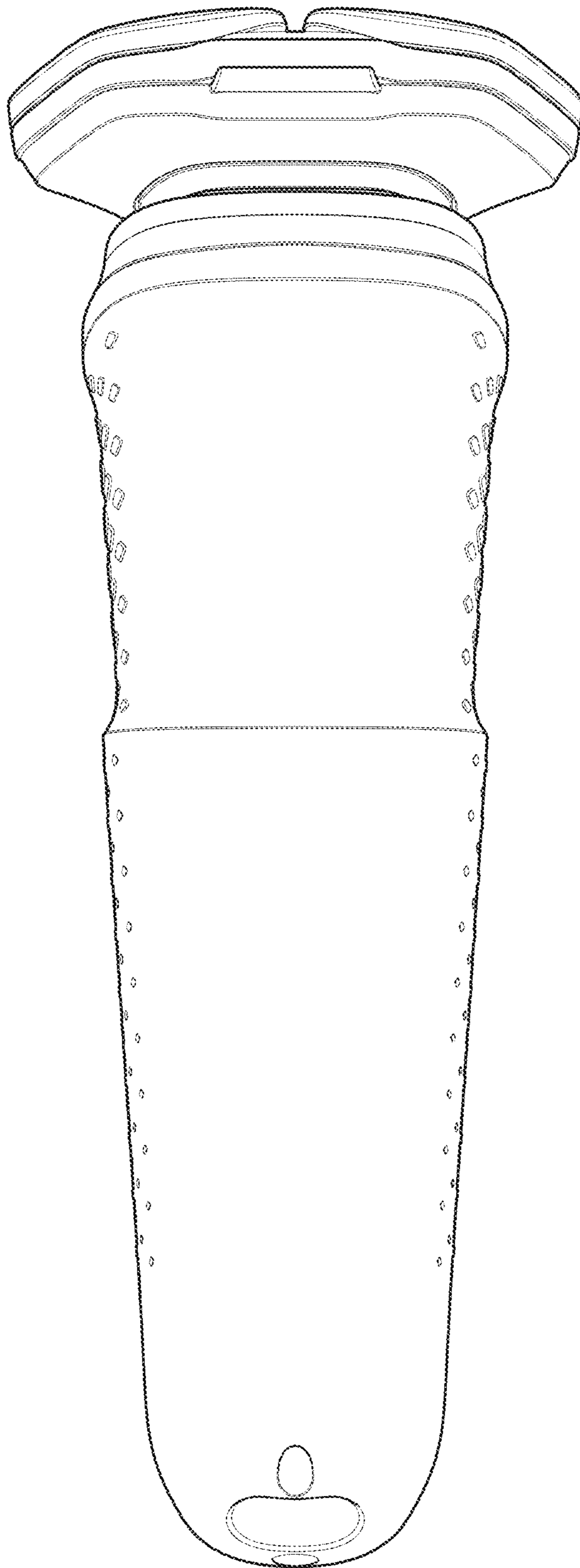


FIG. 10

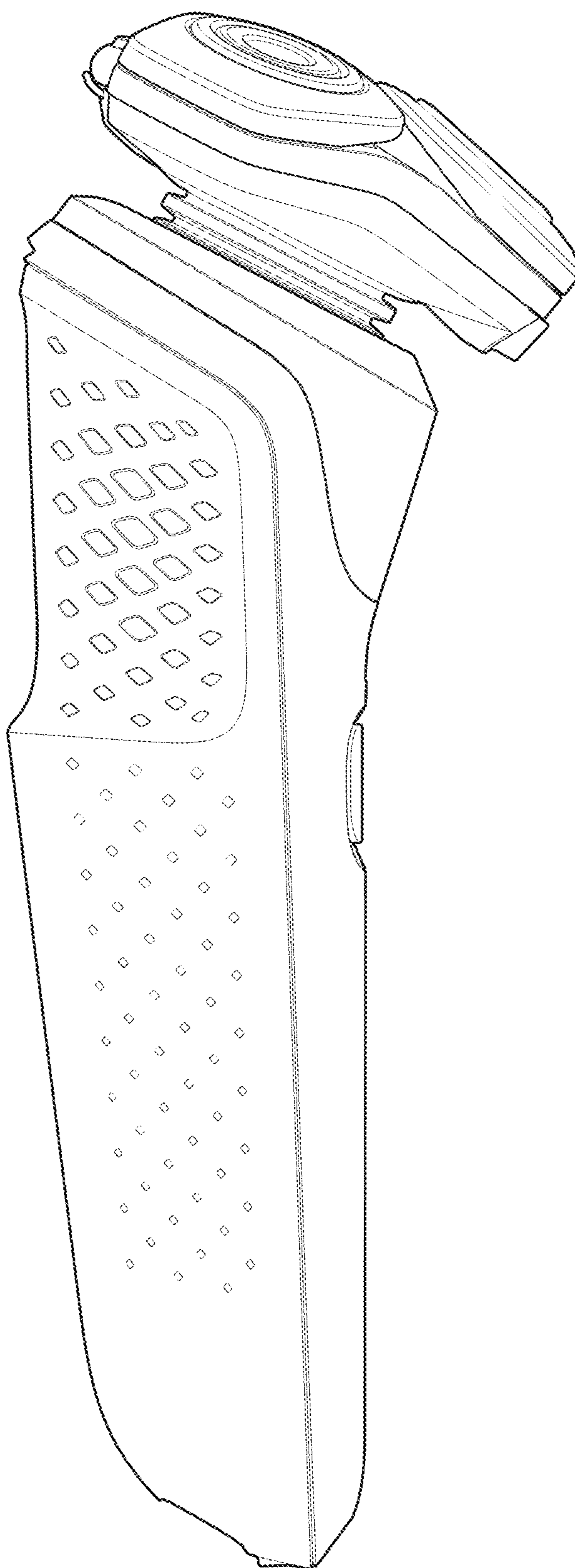


FIG. 11

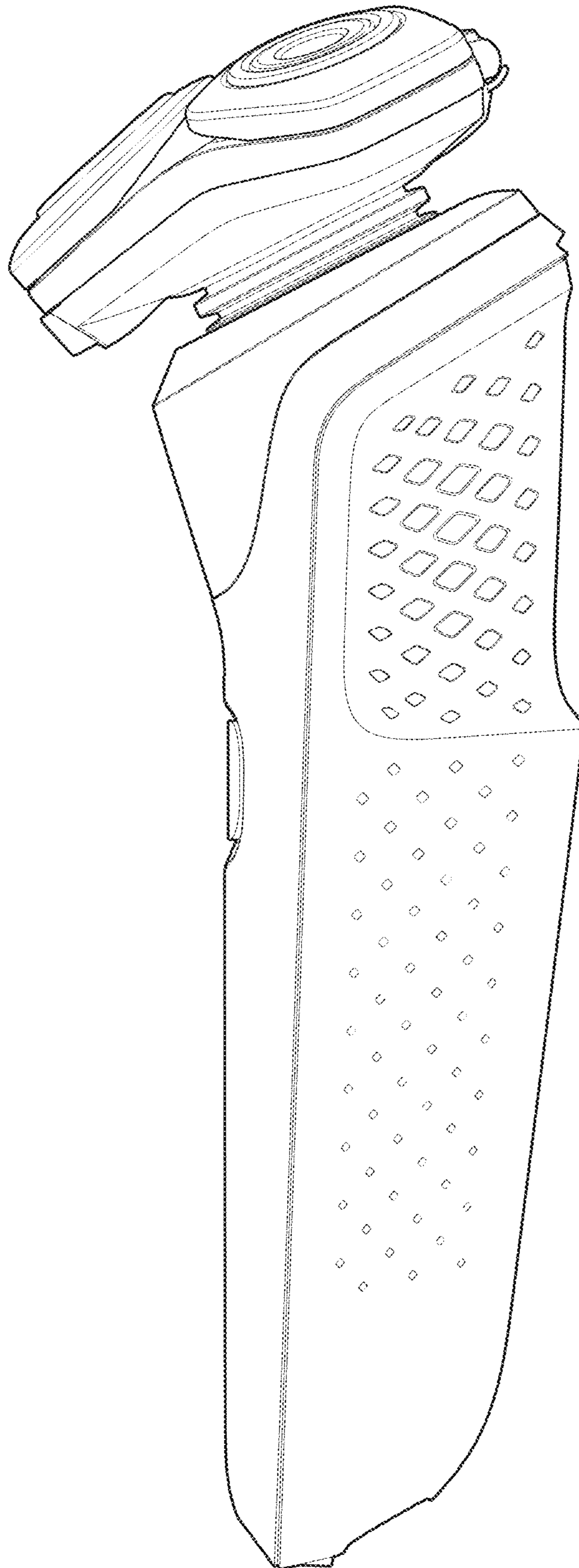


FIG. 12

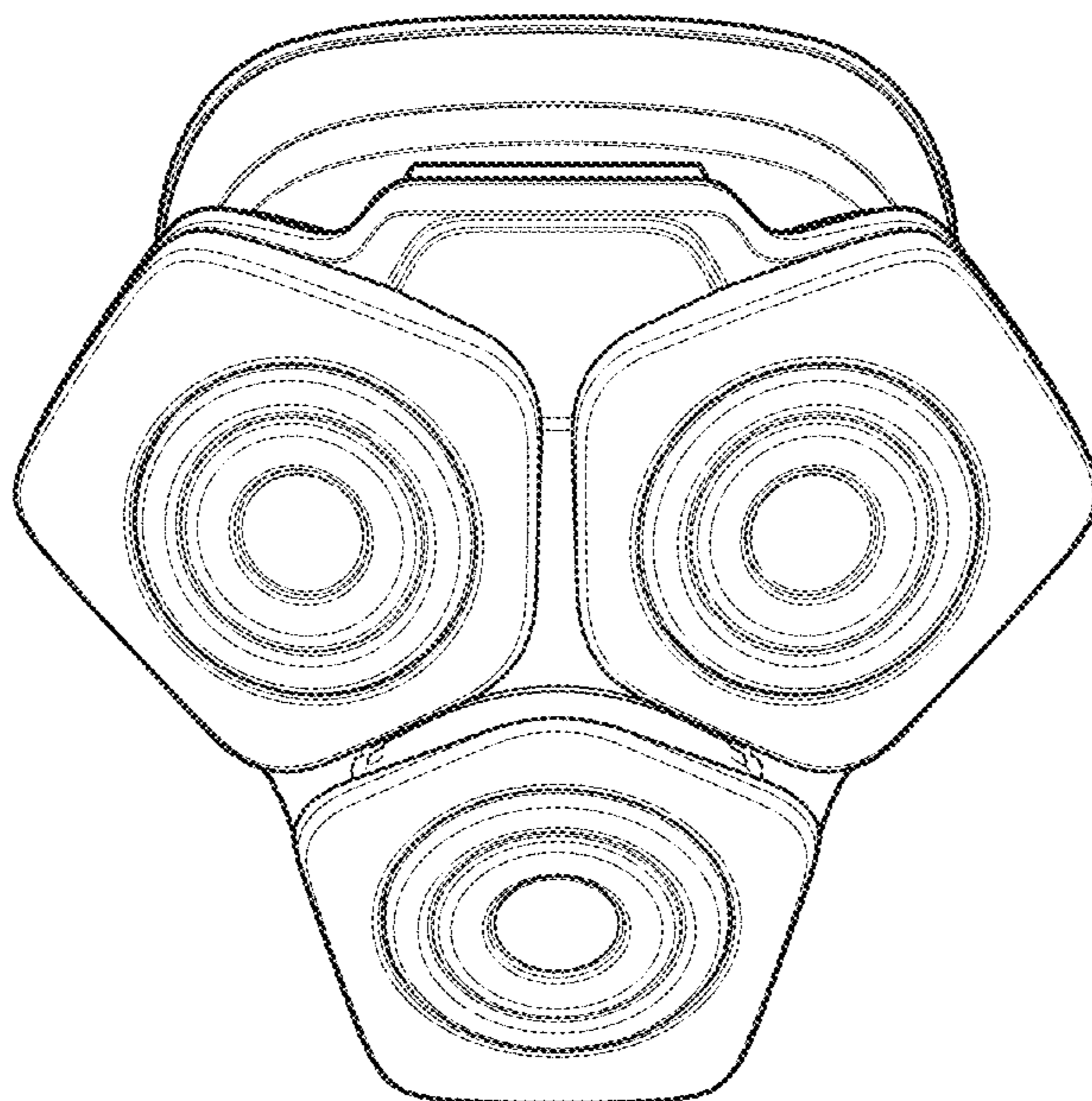


FIG. 13

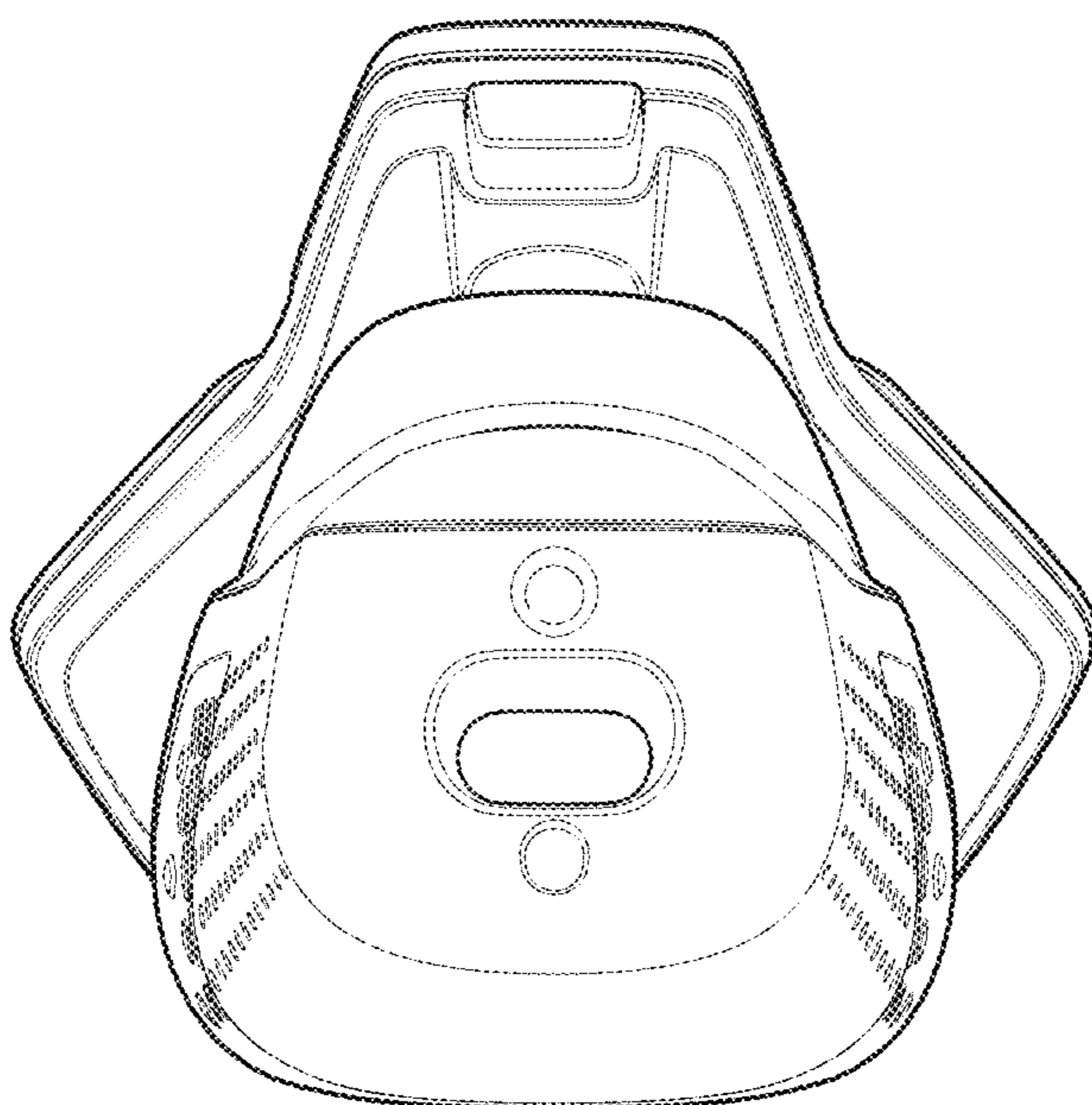


FIG. 14

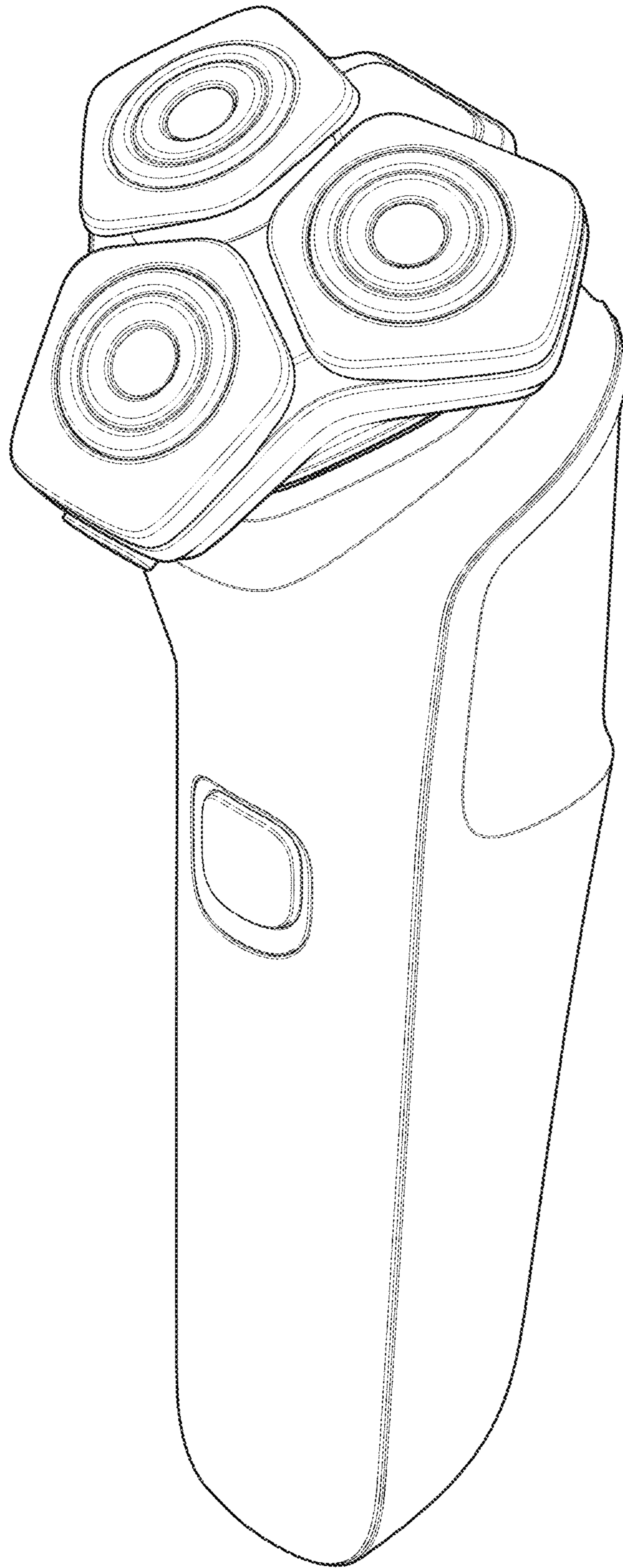


FIG. 15

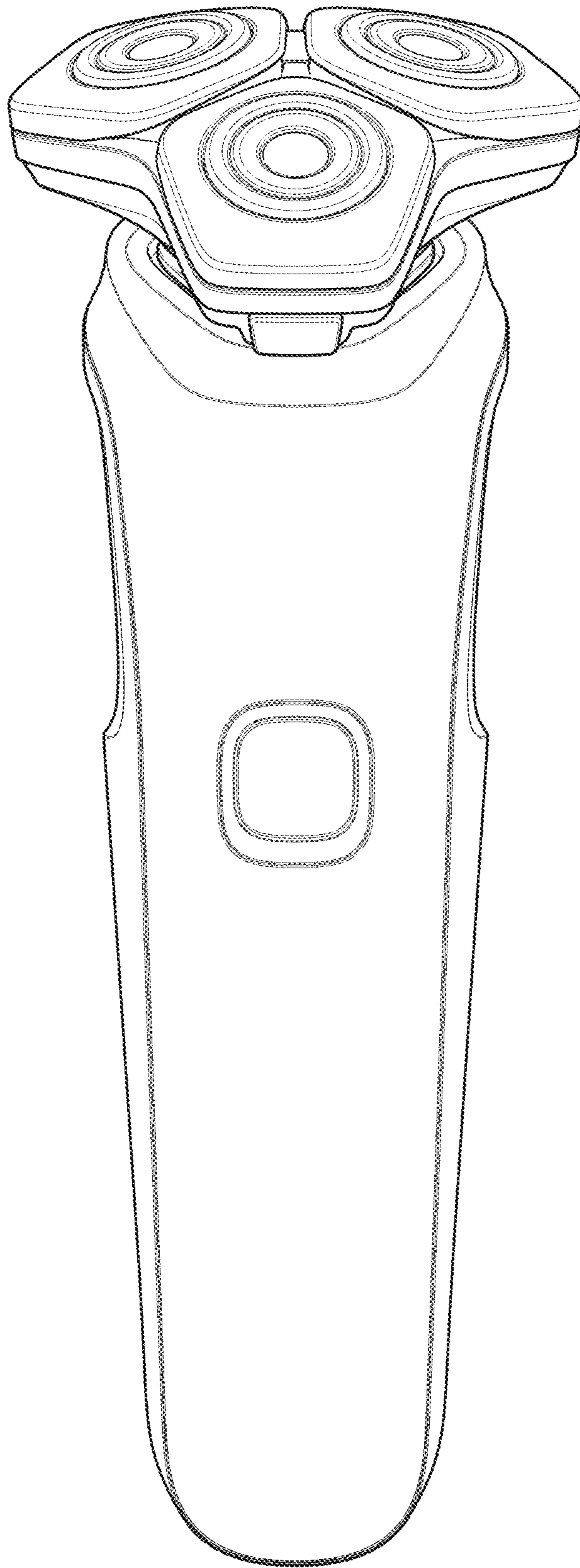


FIG. 16

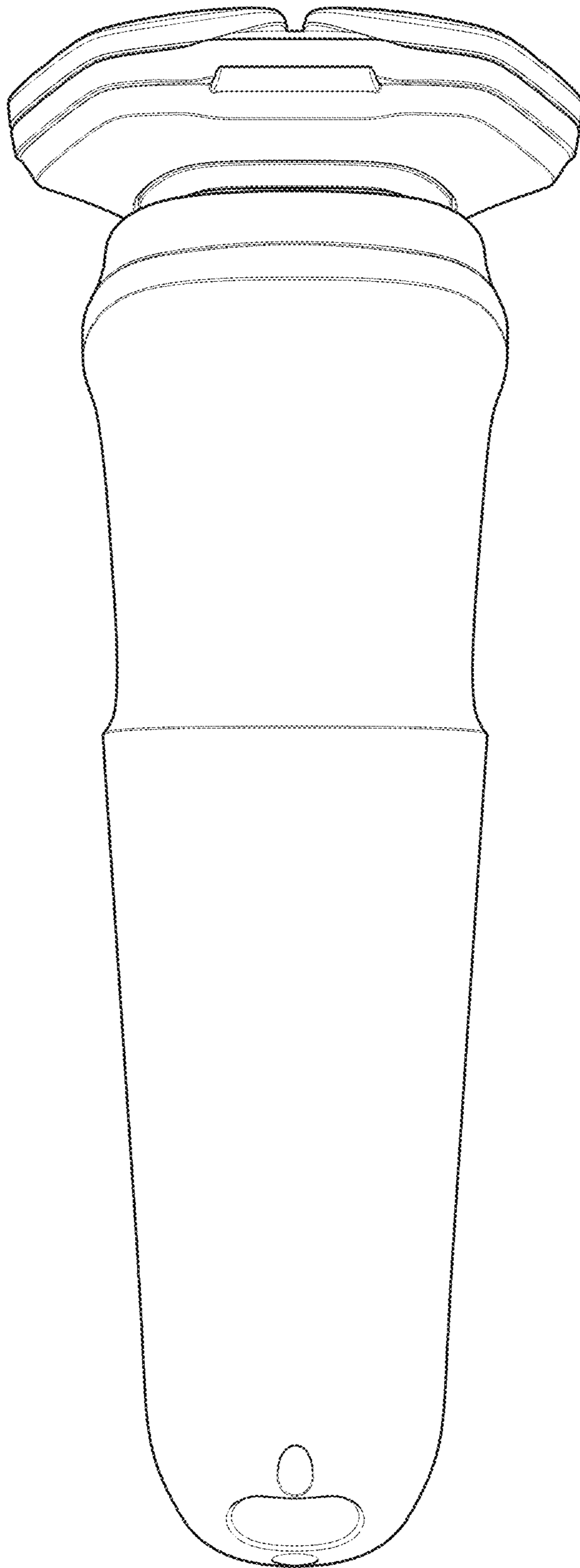


FIG. 17

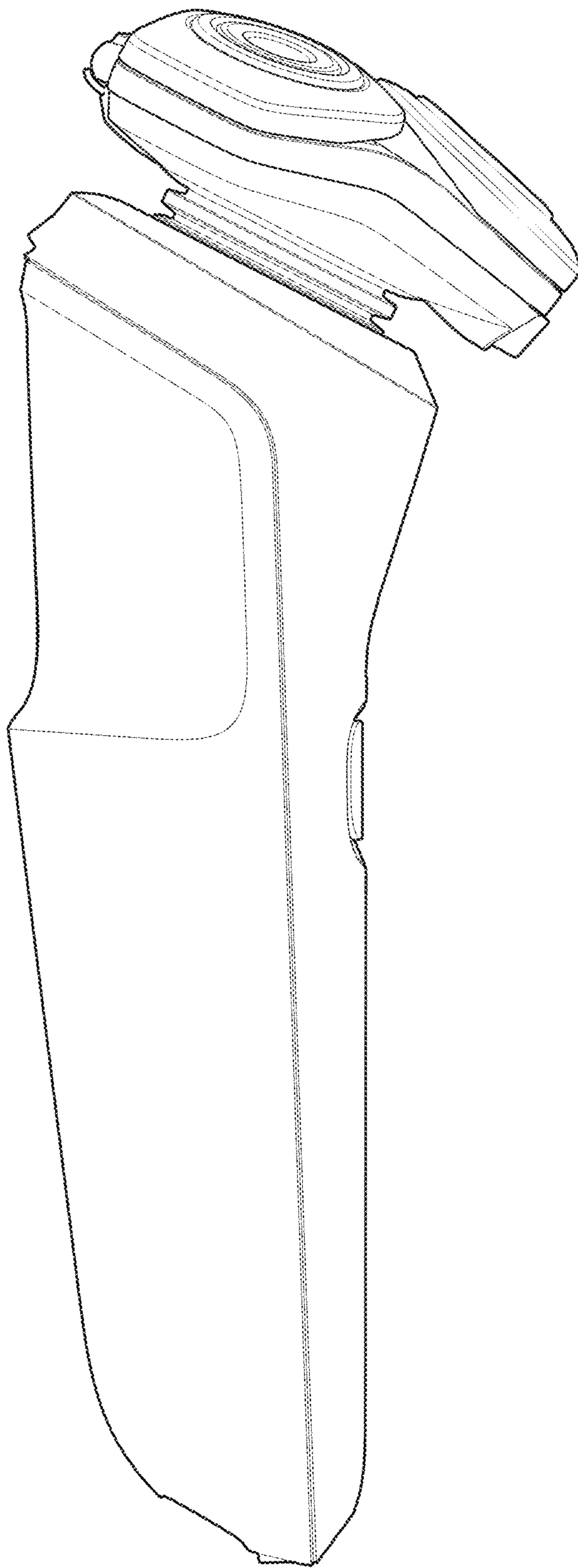


FIG. 18

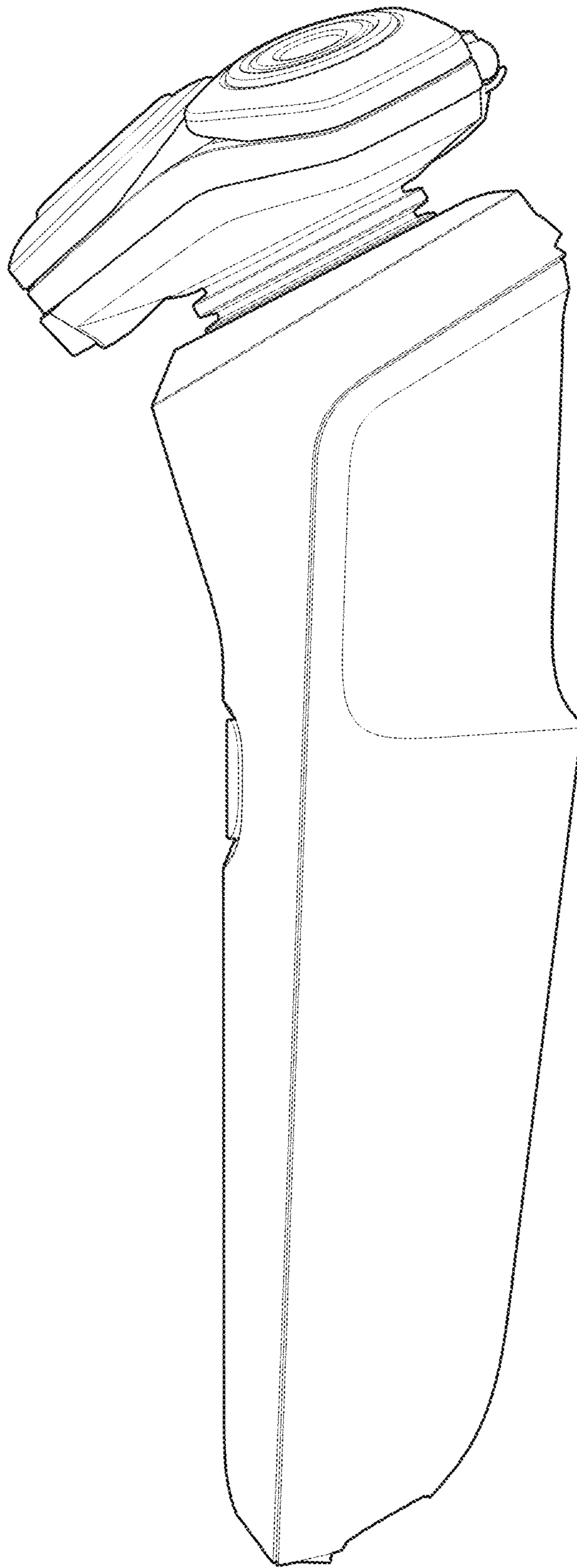


FIG. 19

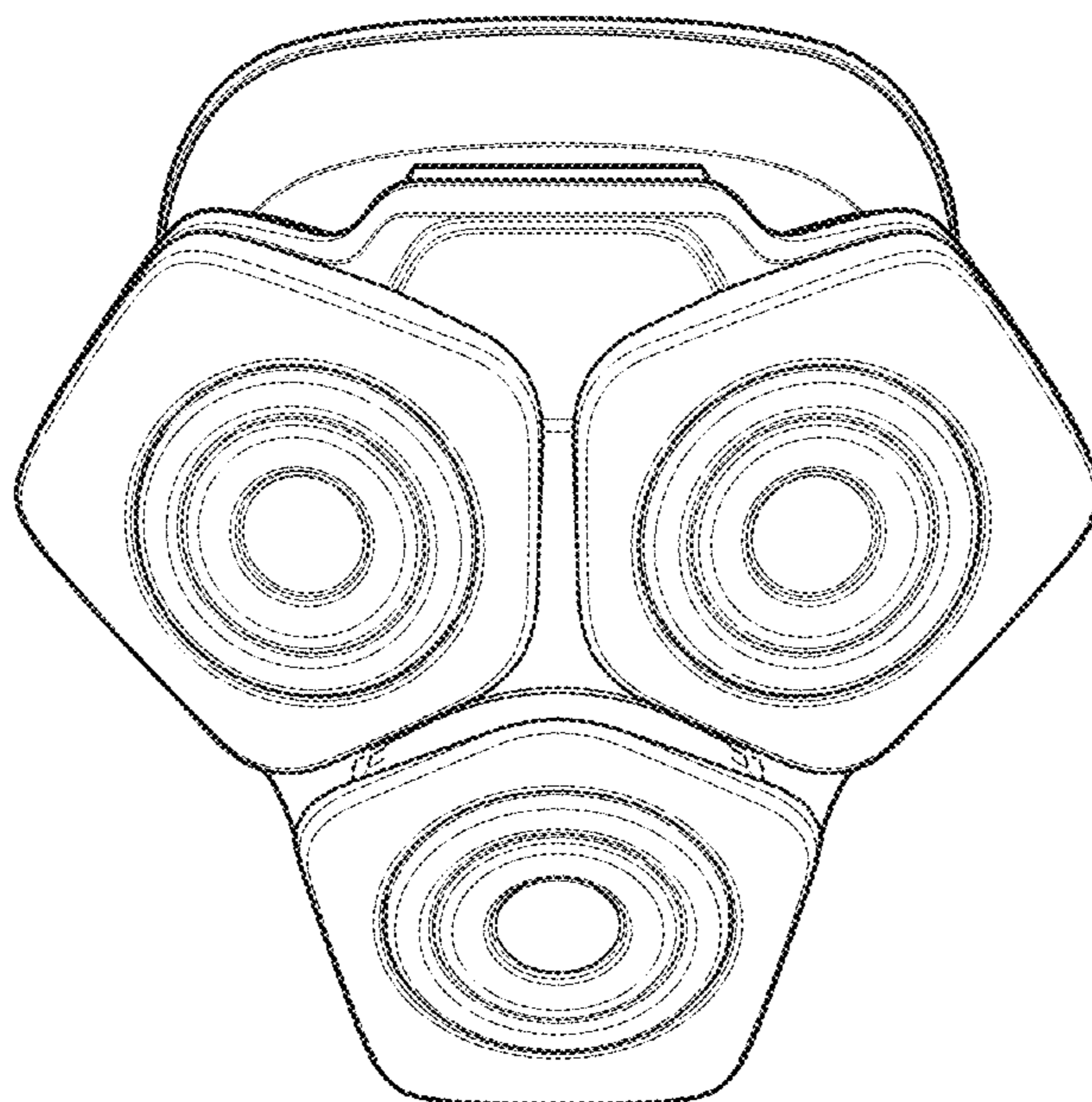


FIG. 20

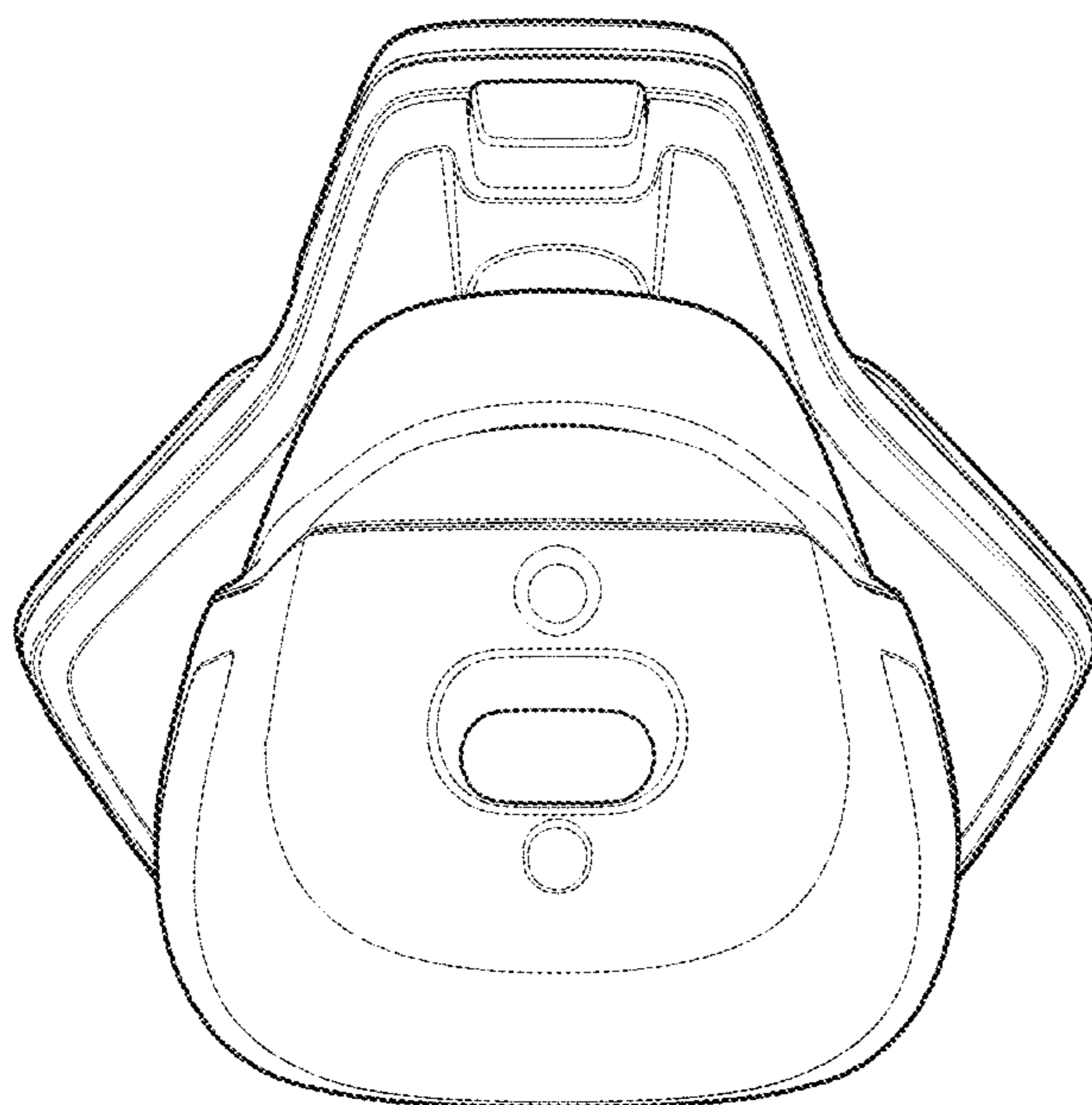


FIG. 21

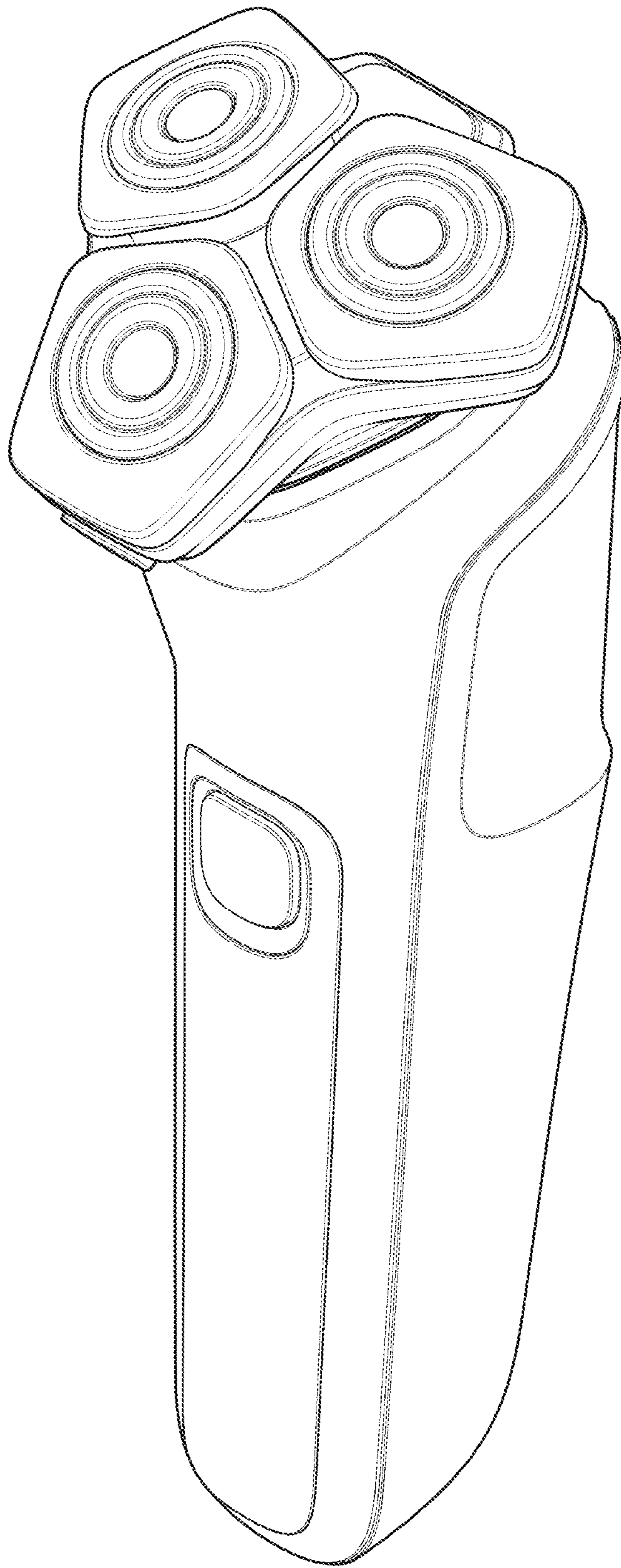


FIG. 22

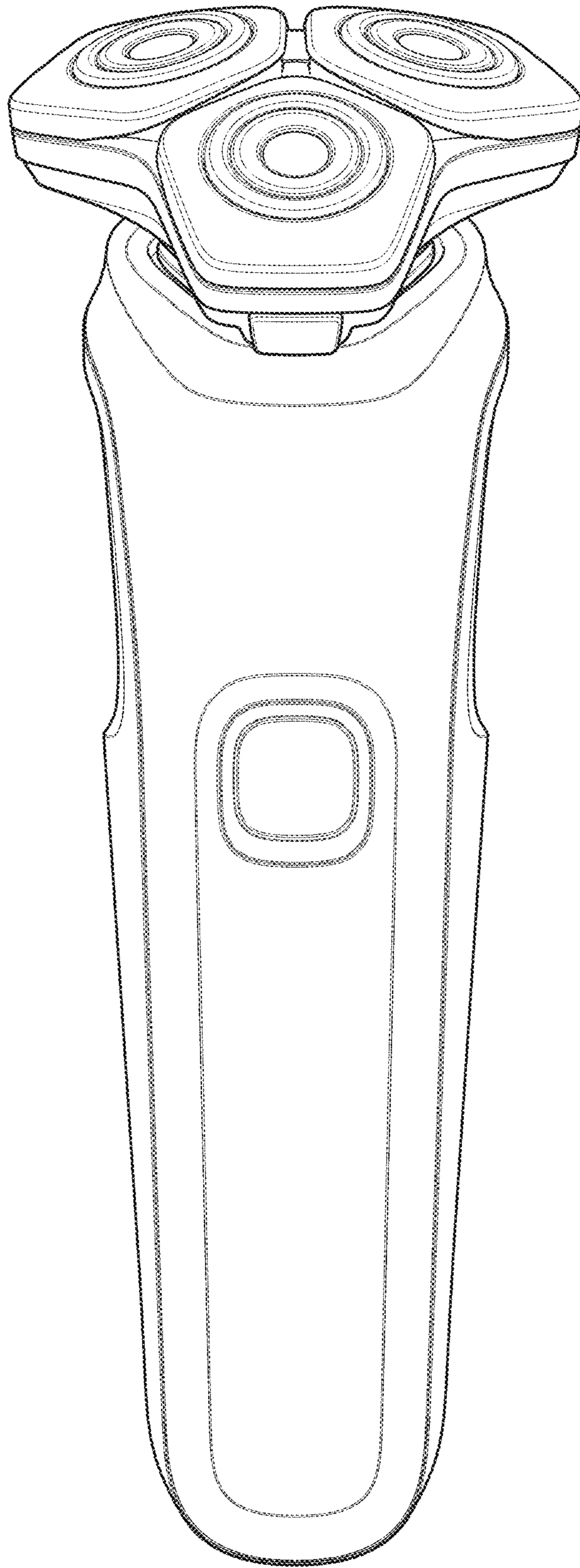


FIG. 23

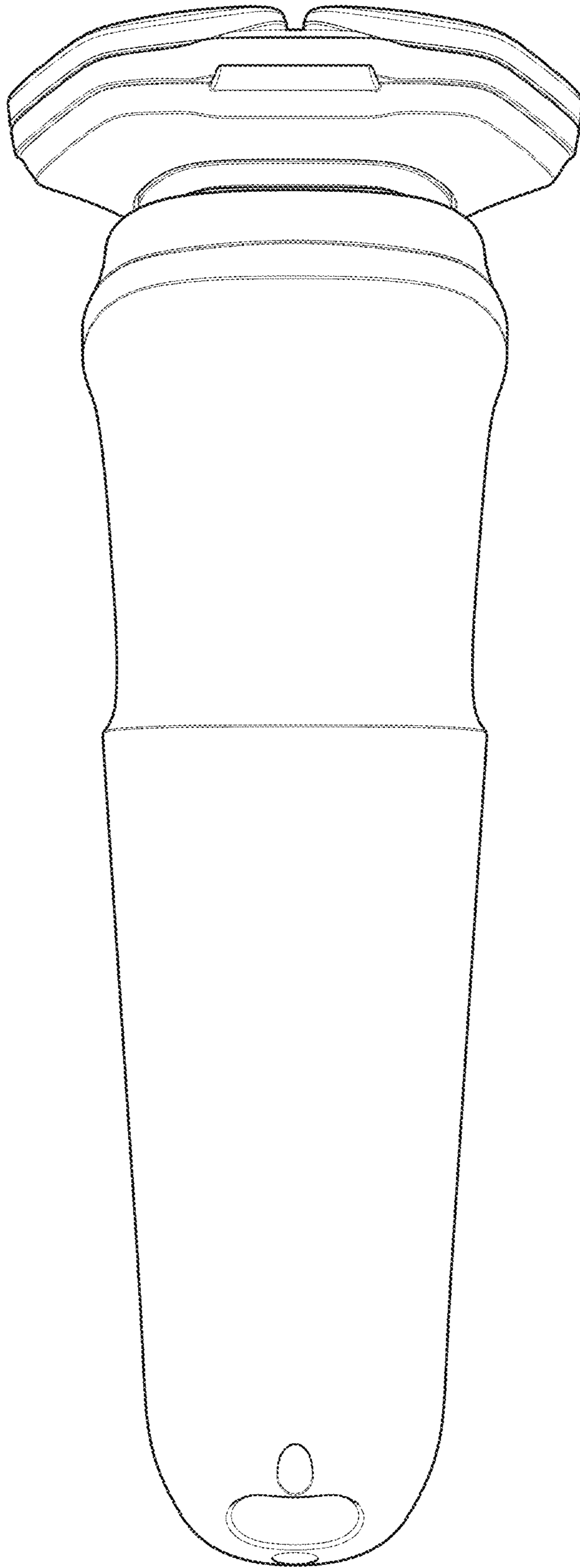


FIG. 24

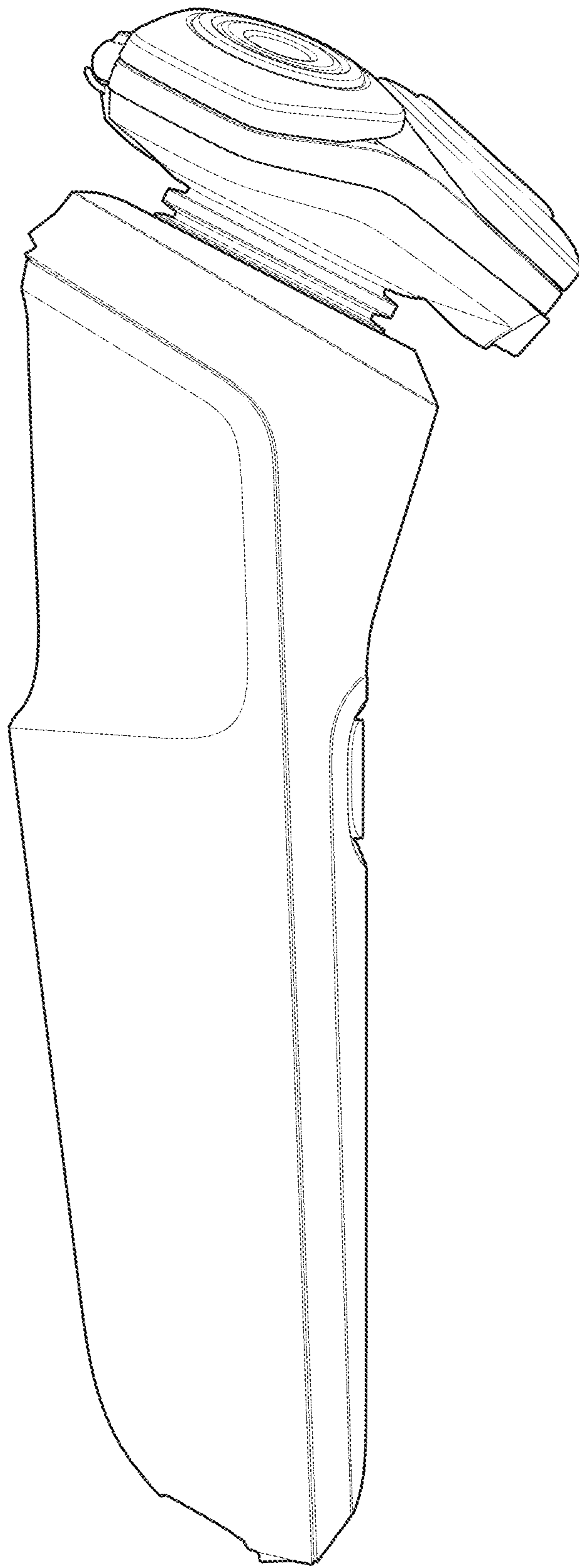


FIG. 25

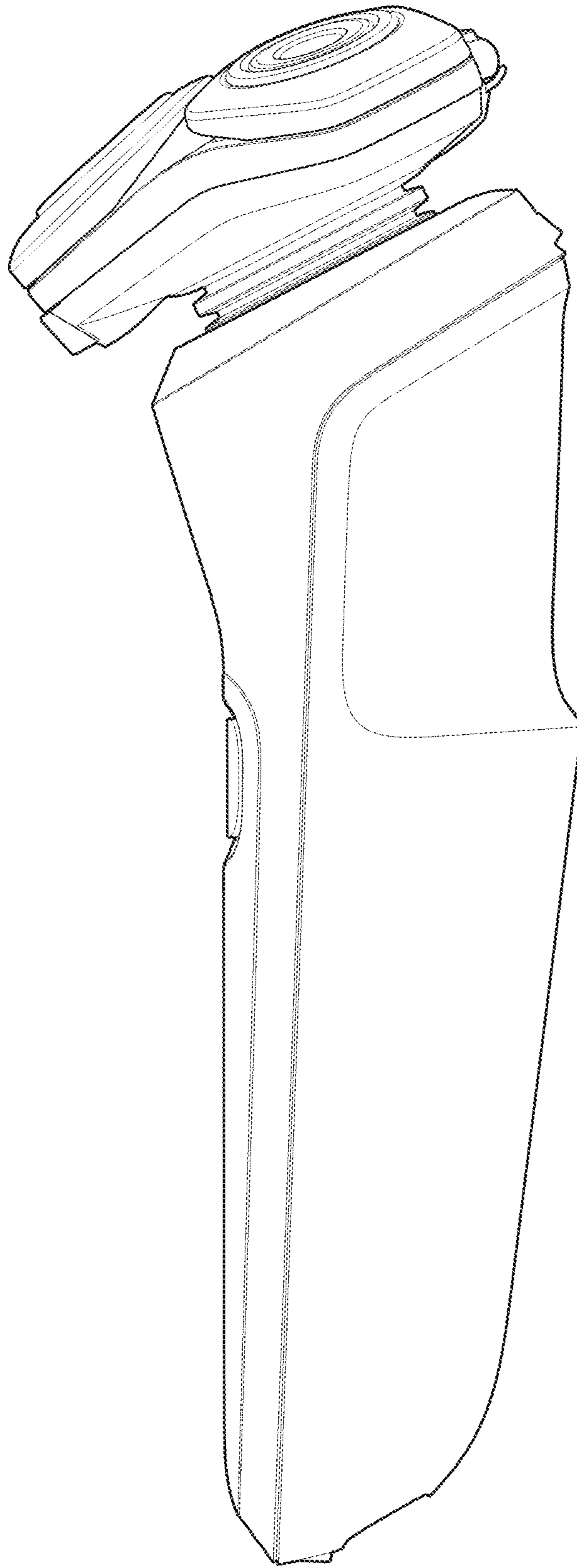


FIG. 26

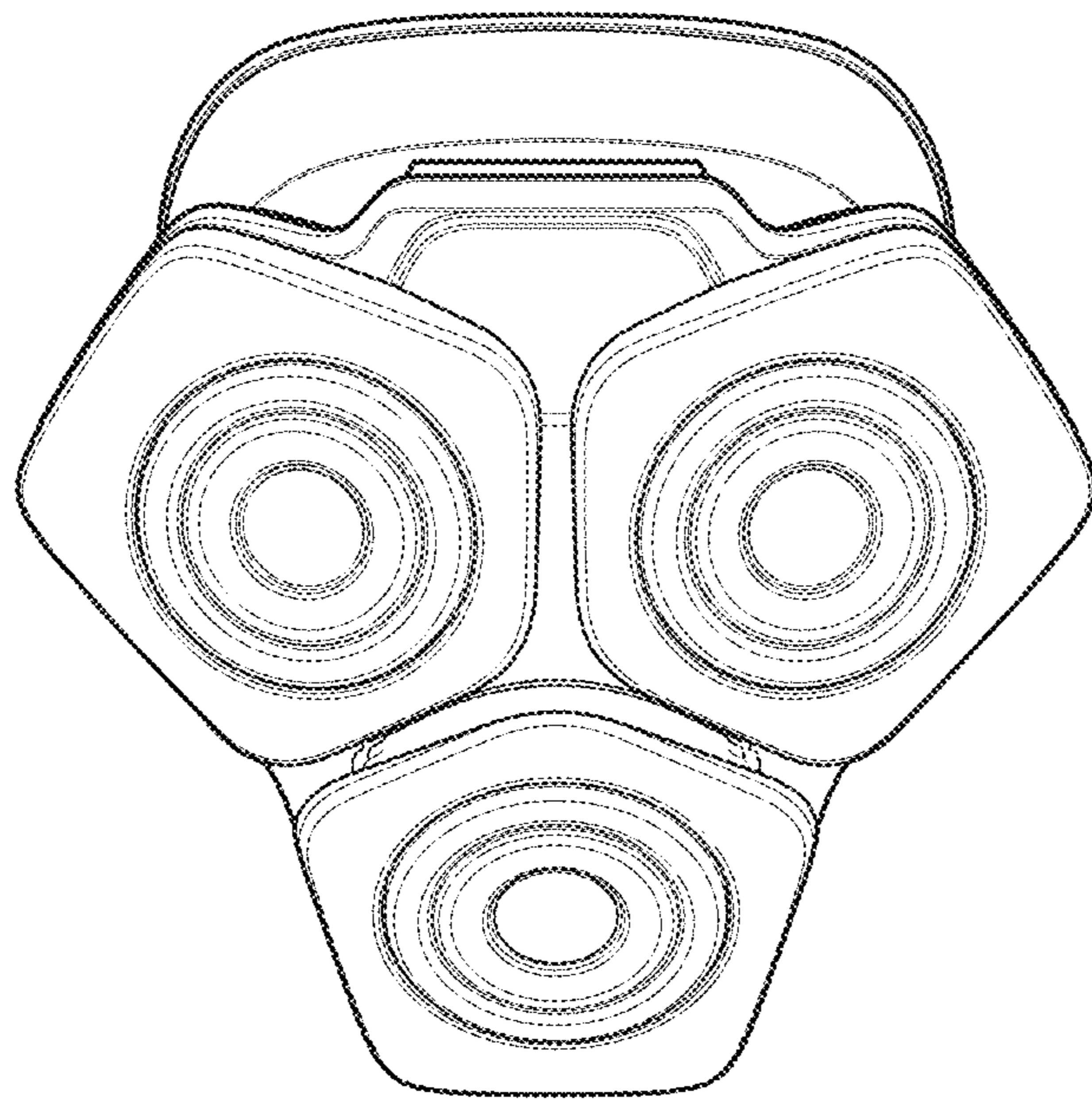


FIG. 27

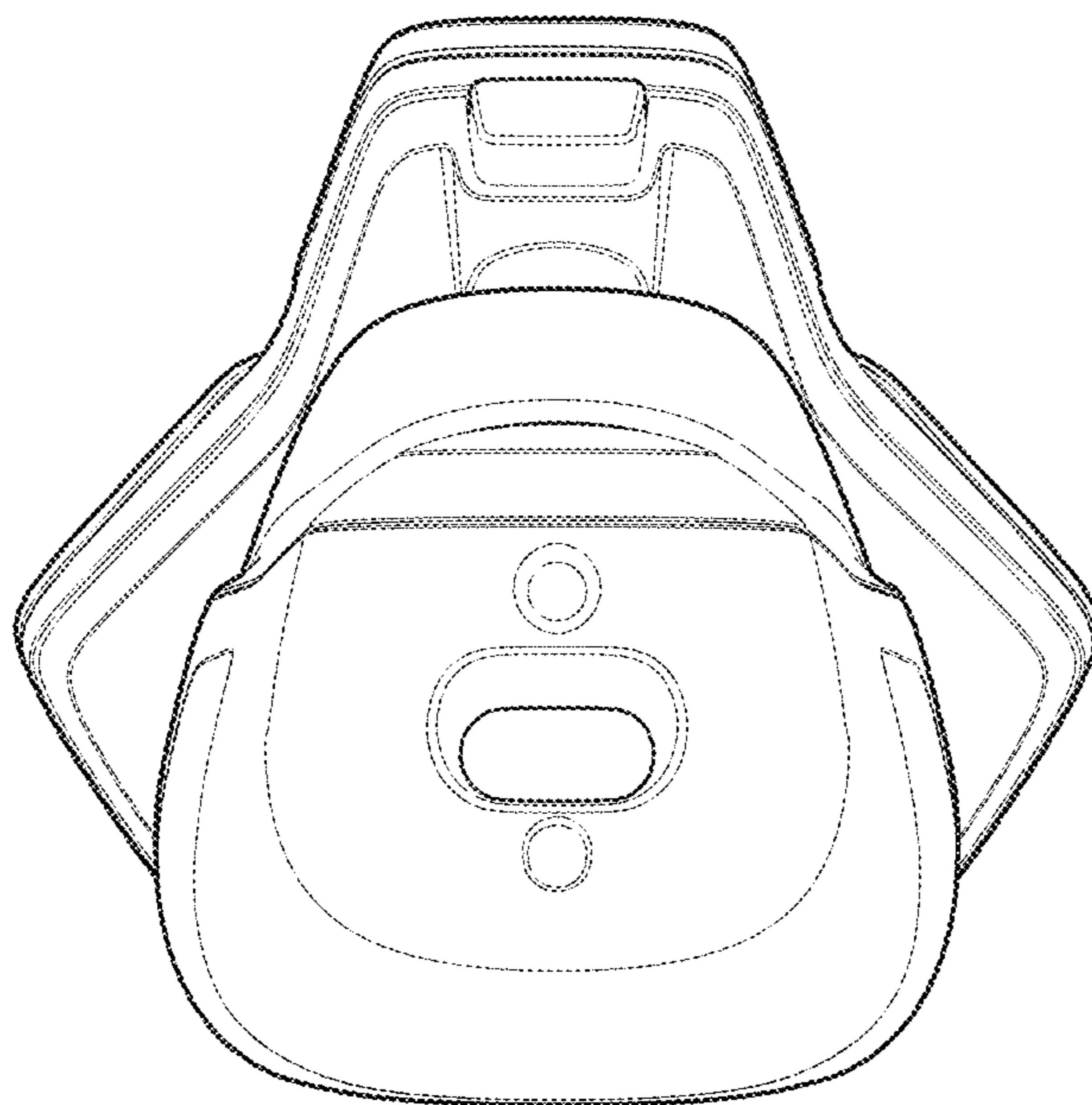


FIG. 28