



US00D955637S

(12) **United States Design Patent**  
**Sommer et al.**

(10) **Patent No.:** **US D955,637 S**  
(45) **Date of Patent:** **\*\* Jun. 21, 2022**

- (54) **COMB**
- (71) Applicant: **Ouidad Licensing LLC**, Commack, NY (US)
- (72) Inventors: **Henry David Sommer**, Atlanta, GA (US); **Melissa Russo**, Commack, NY (US)
- (73) Assignee: **Ouidad Licensing LLC**, Commack, NY (US)
- (\*\*) Term: **15 Years**
- (21) Appl. No.: **29/760,268**
- (22) Filed: **Nov. 30, 2020**
- (51) **LOC (13) Cl.** ..... **28-03**
- (52) **U.S. Cl.**  
USPC ..... **D28/30**
- (58) **Field of Classification Search**  
USPC ..... D28/7, 20-34; D30/158, 159  
CPC ..... A45D 24/00; A45D 24/005; A45D 24/02;  
A45D 24/04; A45D 24/06; A45D 24/14;  
A45D 24/22  
See application file for complete search history.

- 3,648,321 A \* 3/1972 Vallis ..... A45D 24/06  
132/122
- D258,239 S \* 2/1981 Zwiren ..... D28/28
- D284,412 S \* 6/1986 O'Connor ..... D28/25
- D315,428 S \* 3/1991 Davies ..... D28/30
- D331,840 S \* 12/1992 Garner ..... 401/289
- D388,539 S \* 12/1997 Ford ..... A46B 15/0055  
D28/28
- D495,447 S \* 8/2004 Wan ..... D28/24
- 8,752,559 B1 \* 6/2014 Tsai ..... A45D 24/22  
132/109
- 2015/0136163 A1 \* 5/2015 Chininis ..... A45D 24/007  
132/119.1

\* cited by examiner

*Primary Examiner* — Zenia I Bennett

(74) *Attorney, Agent, or Firm* — Gloria Tsui-Yip; Gottlieb, Rackman & Reisman, P.C.

(57) **CLAIM**

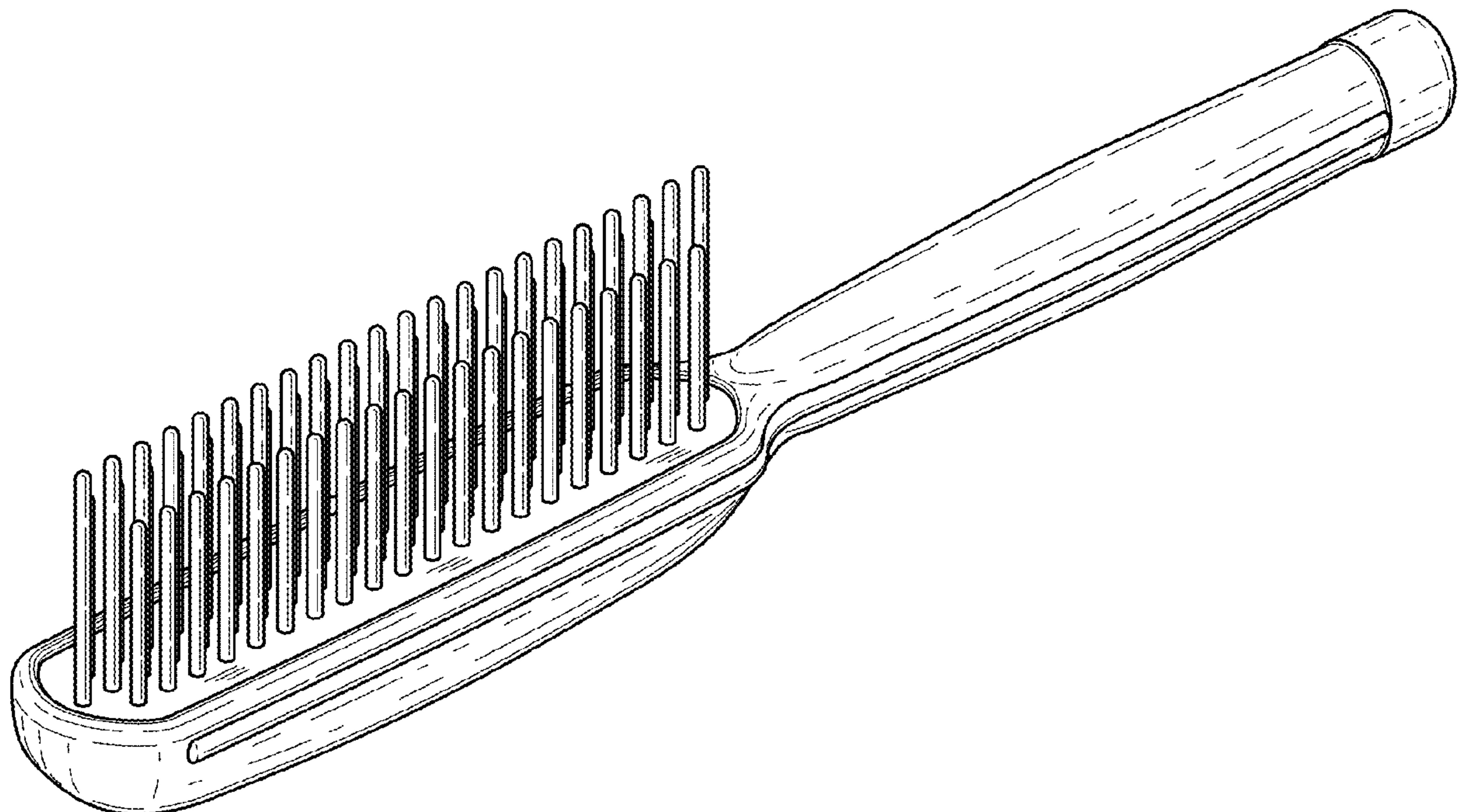
The ornamental design for a comb, as shown and described.

**DESCRIPTION**

FIG. 1 is a perspective view of a comb of my new design; FIG. 2 is a left side elevational view thereof; FIG. 3 is a top plan view thereof; FIG. 4 is a right side elevational view thereof; FIG. 5 is a bottom plan view thereof; FIG. 6 is a front elevational view thereof; and, FIG. 7 is a rear elevational view thereof.

**1 Claim, 4 Drawing Sheets**

- (56) **References Cited**  
U.S. PATENT DOCUMENTS  
D159,066 S \* 6/1950 Jackson ..... D28/26  
D182,016 S \* 2/1958 Dean ..... D28/28



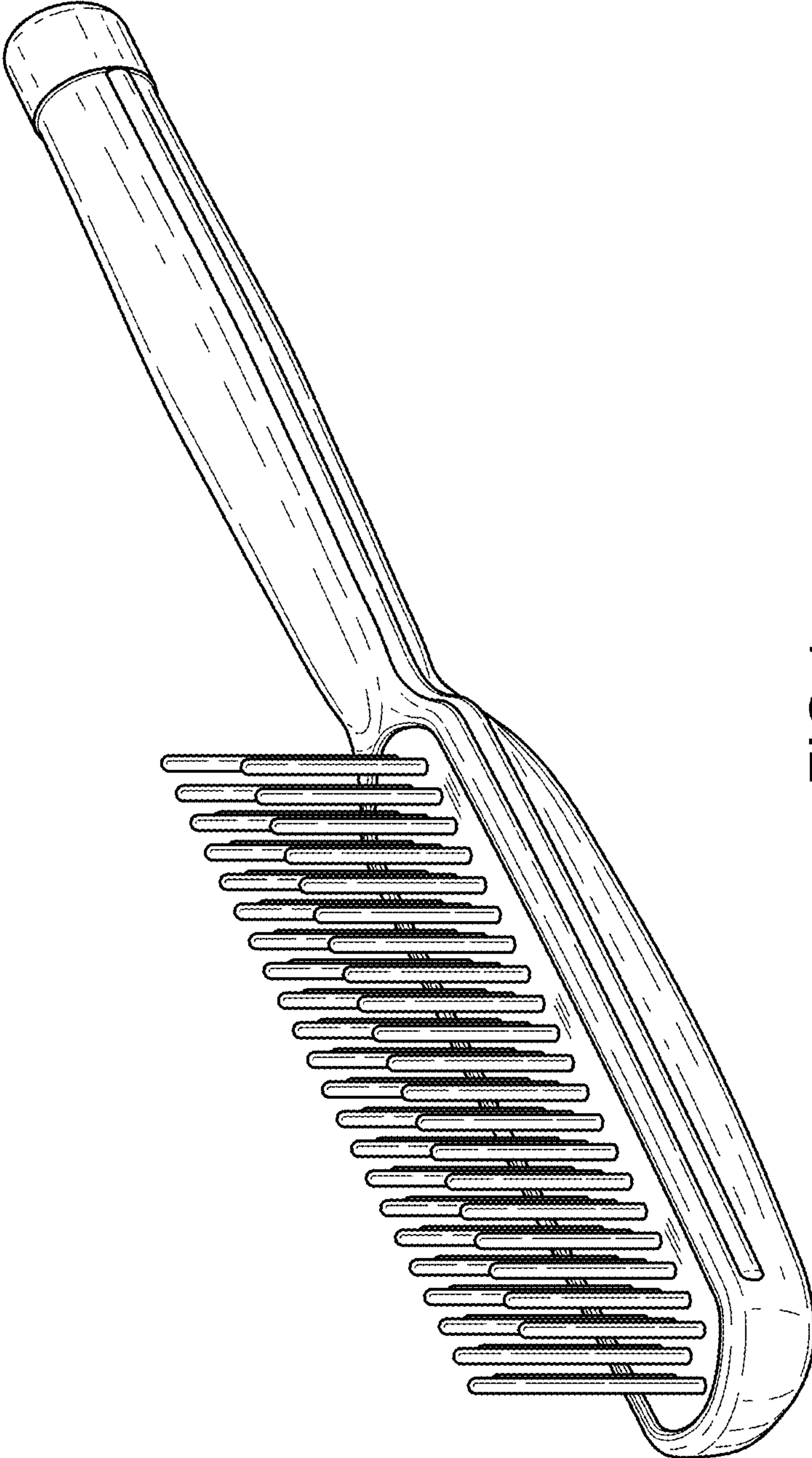


FIG. 1

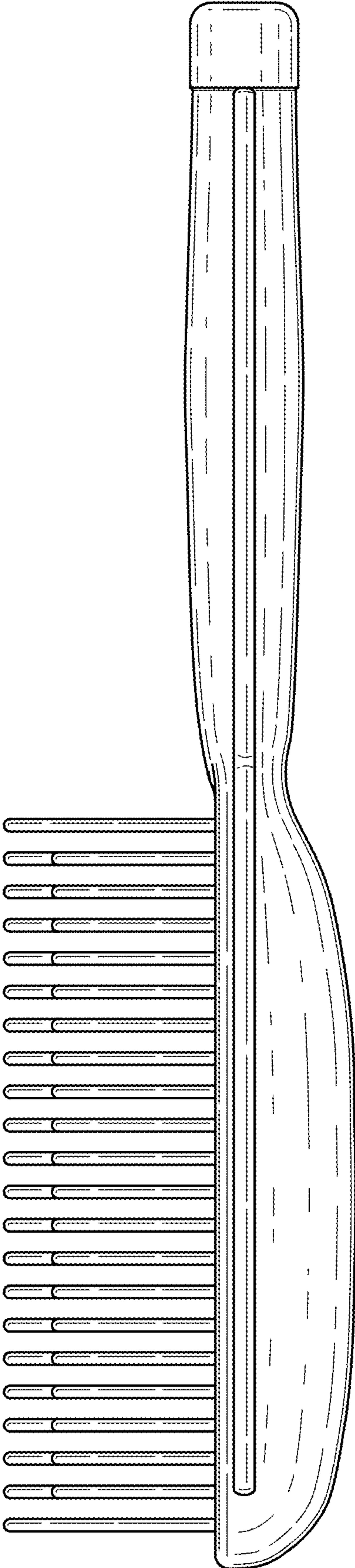


FIG. 2

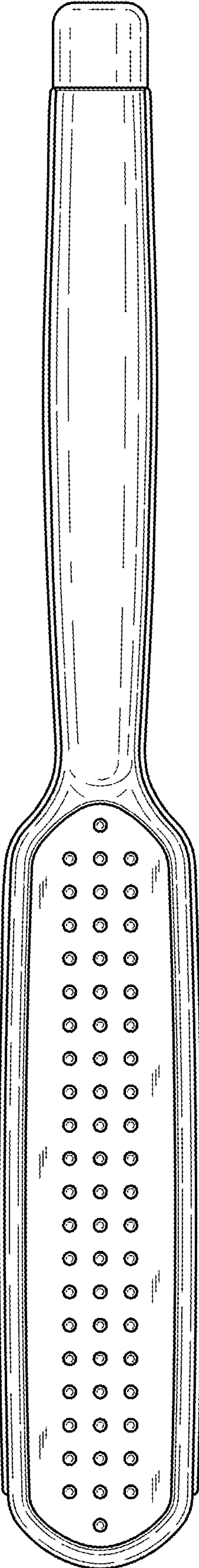


FIG. 3



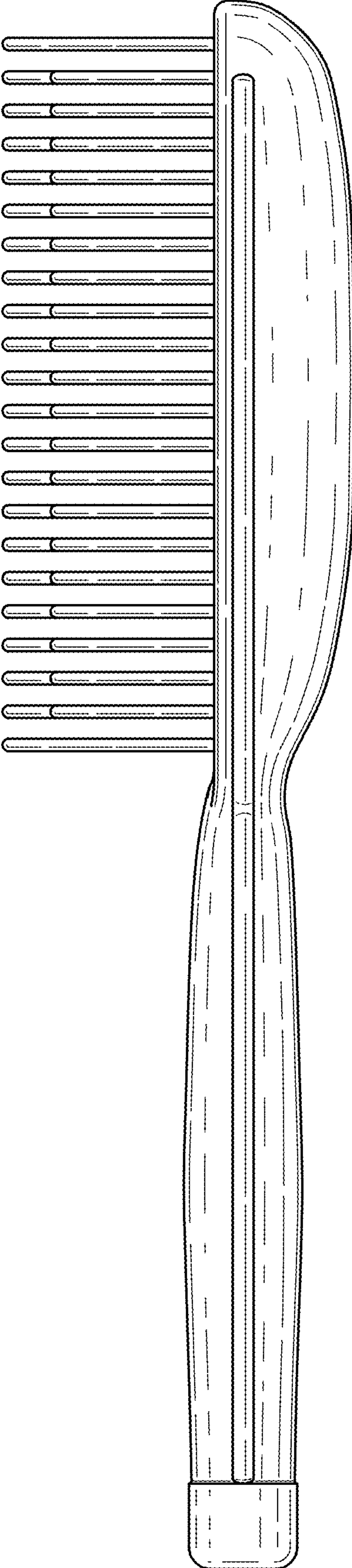


FIG. 4

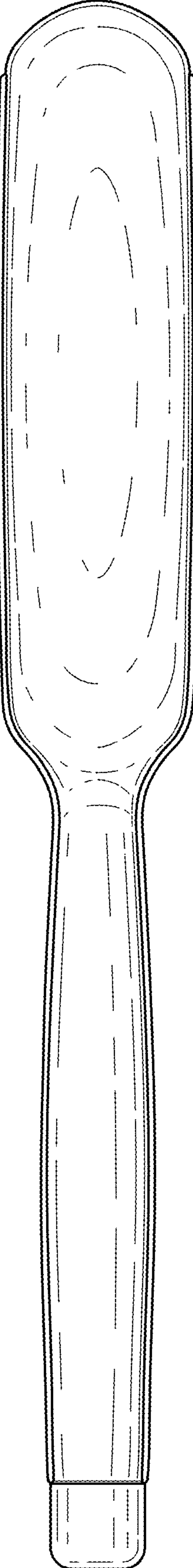


FIG. 5

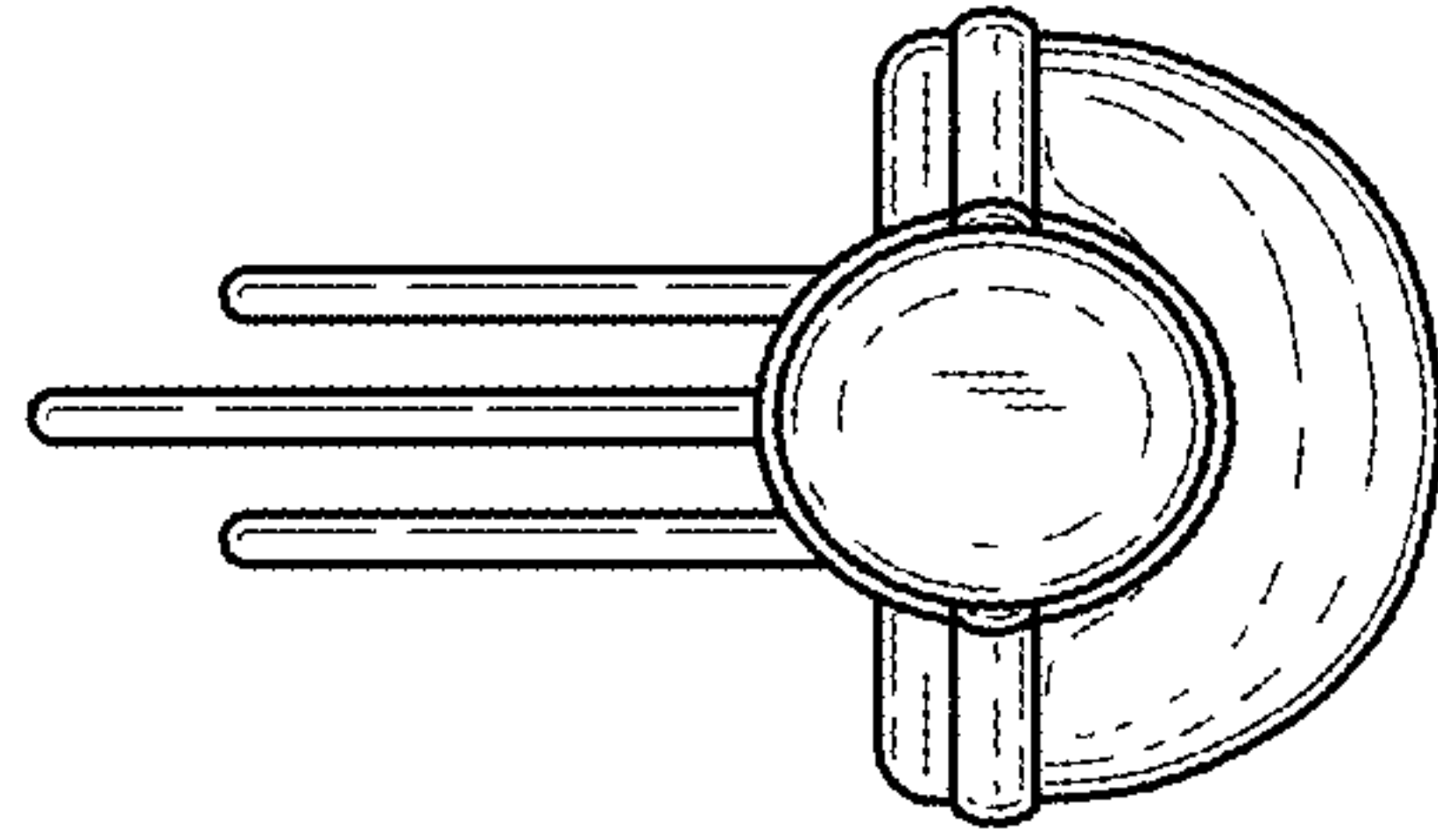


FIG. 7

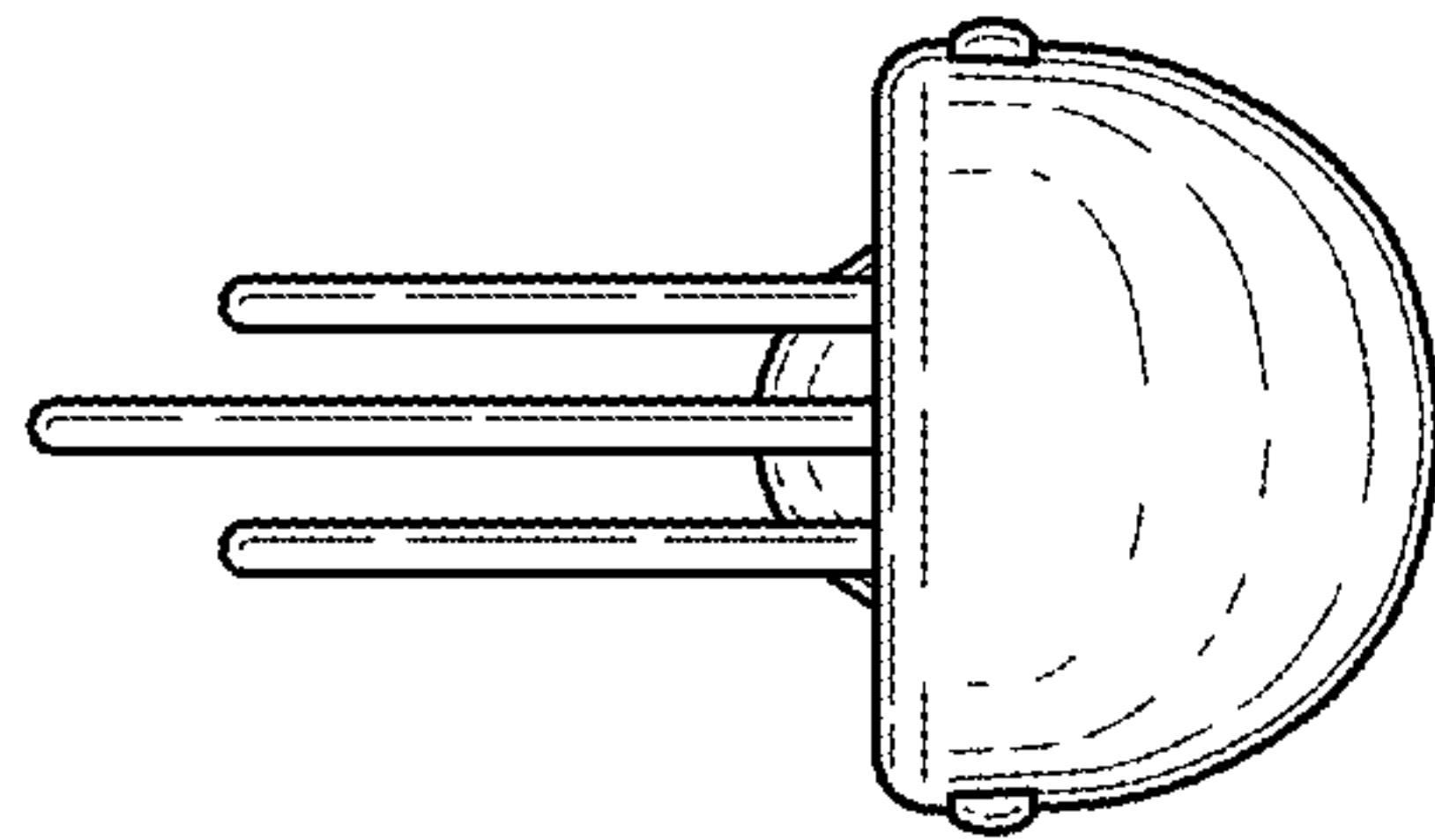


FIG. 6