



US00D955636S

(12) **United States Design Patent**  
**Zou**

(10) **Patent No.:** **US D955,636 S**  
(45) **Date of Patent:** **\*\* Jun. 21, 2022**

- (54) **HAIR DRYER**
- (71) Applicant: **FINE DRAGON TECHNOLOGY LIMITED**, Guangdong (CN)
- (72) Inventor: **Zhenren Zou**, Guangdong (CN)
- (73) Assignee: **FINE DRAGON TECHNOLOGY LIMITED**, Shenzhen (CN)

D637,347 S *	5/2011	Schmitz	.....	D28/13
D782,731 S *	3/2017	Smith	.....	D28/13
D782,733 S *	3/2017	Smith	.....	D28/13
D861,246 S *	9/2019	Hsu	.....	D28/13
D903,194 S *	11/2020	Huang	.....	D28/13
D911,603 S *	2/2021	Wang	.....	D28/13
D914,972 S *	3/2021	Huang	.....	D28/13
D914,973 S *	3/2021	Huang	.....	D28/13
D925,826 S *	7/2021	Grienay	.....	D28/13
D926,370 S *	7/2021	Sun	.....	D28/13

- (\*\*) Term: **15 Years**
- (21) Appl. No.: **29/752,180**
- (22) Filed: **Sep. 25, 2020**

\* cited by examiner

*Primary Examiner* — Zenia I Bennett

(30) **Foreign Application Priority Data**

Aug. 7, 2020 (CN) ..... 202030447134.4

- (51) **LOC (13) Cl.** ..... **28-03**
- (52) **U.S. Cl.**  
USPC ..... **D28/13**

- (58) **Field of Classification Search**  
USPC ..... D28/12-19; D8/29.1  
CPC ..... A45D 20/00; A45D 20/04; A45D 20/08;  
A45D 20/10; A45D 20/12; A45D  
2020/128

See application file for complete search history.

(56) **References Cited**

**U.S. PATENT DOCUMENTS**

D290,174 S *	6/1987	Tsuji	.....	D28/13
D299,874 S *	2/1989	Yamagami	.....	D28/16
D561,392 S *	2/2008	Ceva	.....	D28/13

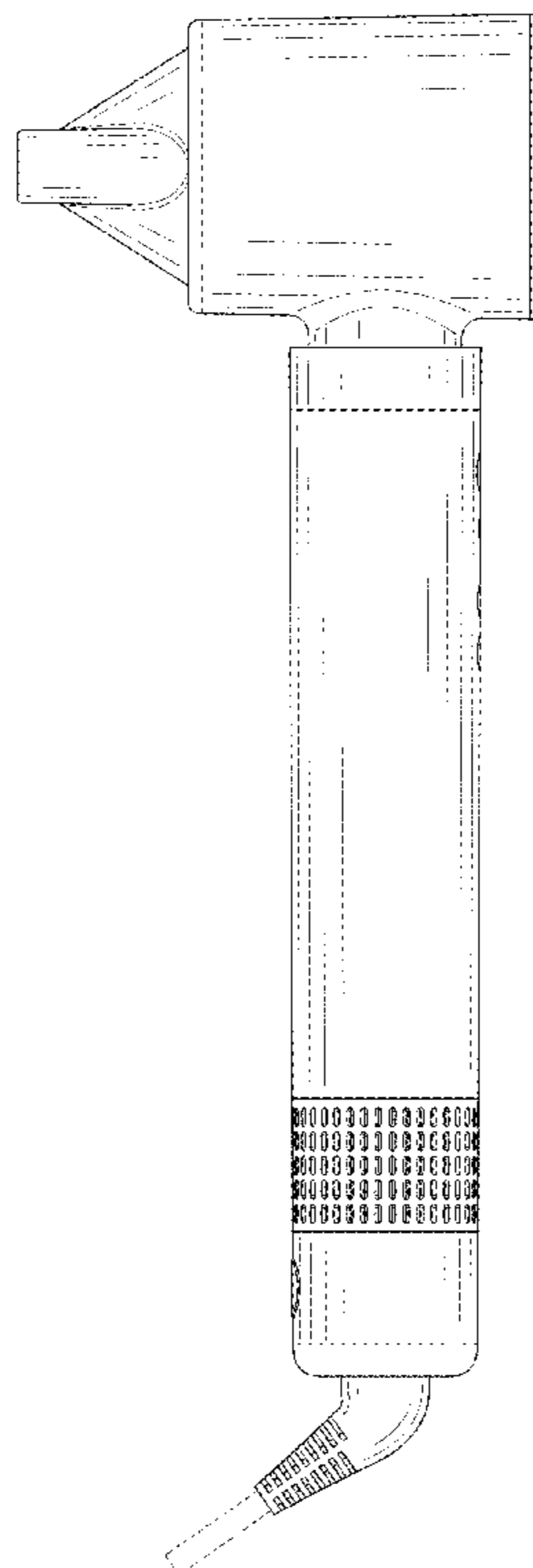
(57) **CLAIM**

The ornamental design for a hair dryer, as shown and described.

**DESCRIPTION**

FIG. 1 is a top, front and right side perspective view of a hair dryer showing my new design;  
 FIG. 2 is a bottom, rear and left side perspective view thereof;  
 FIG. 3 is a front elevational view thereof;  
 FIG. 4 is a rear elevational view thereof;  
 FIG. 5 is a left side view thereof;  
 FIG. 6 is a right side view thereof;  
 FIG. 7 is a top plan view thereof;  
 FIG. 8 is a bottom plan view thereof;  
 FIG. 9 is a top, front and right side perspective view showing the hair dryer in a disassembled state; and,  
 FIG. 10 is an enlarged view of portion 10 in FIG. 2.  
 The broken lines in the drawings illustrate portions of the hair dryer which form no part of the claimed design.

**1 Claim, 10 Drawing Sheets**



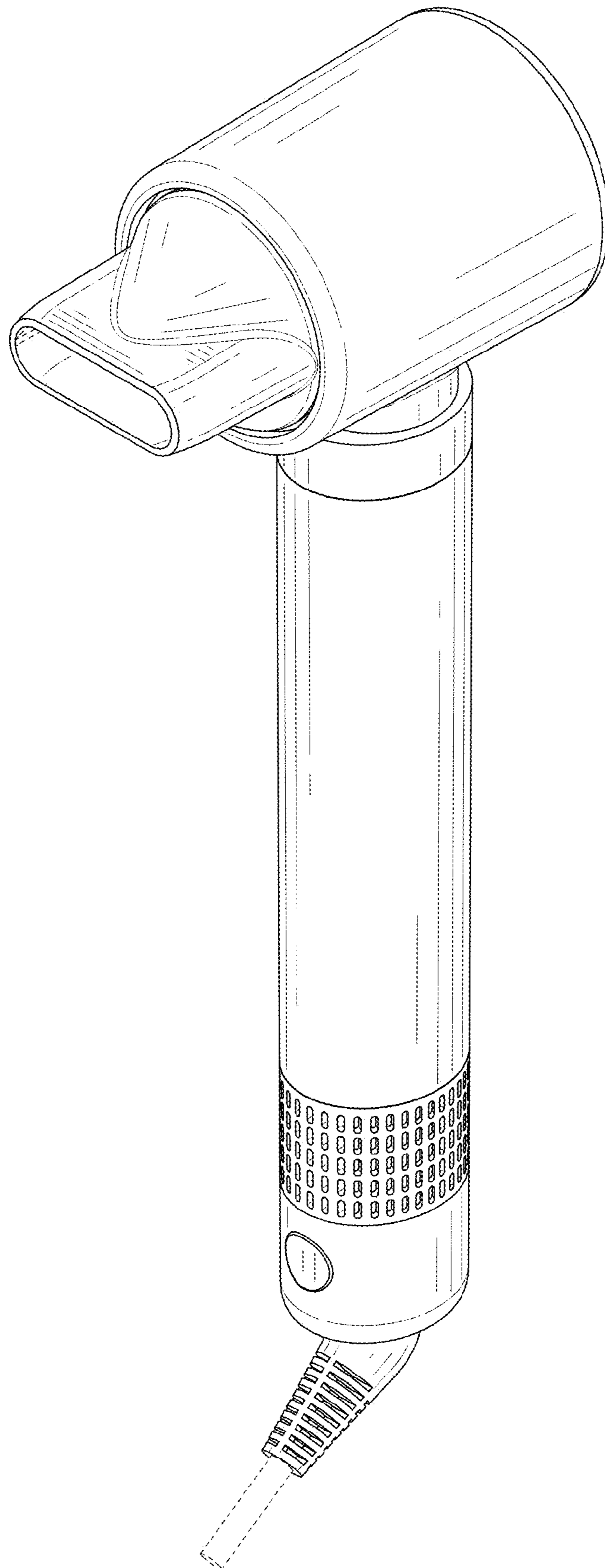


FIG. 1

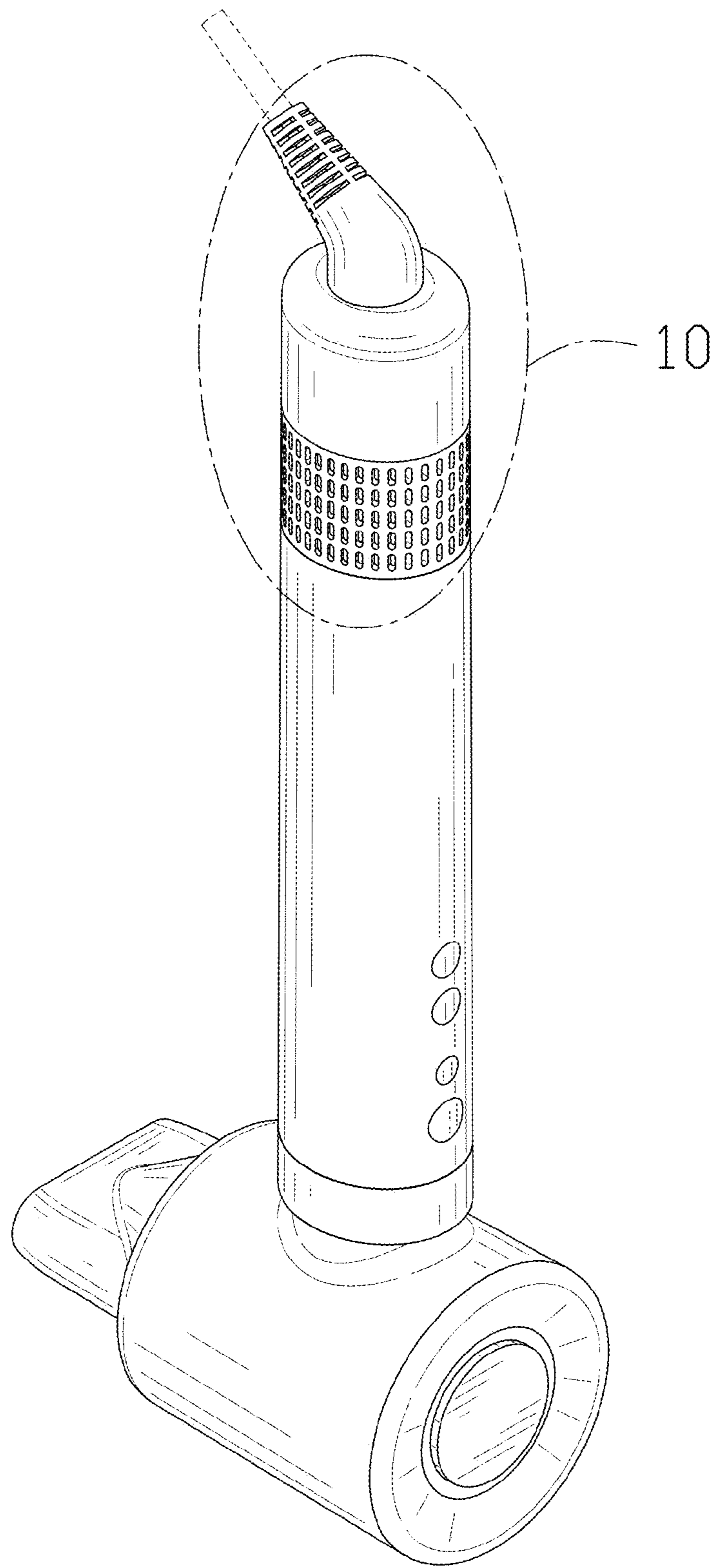


FIG. 2

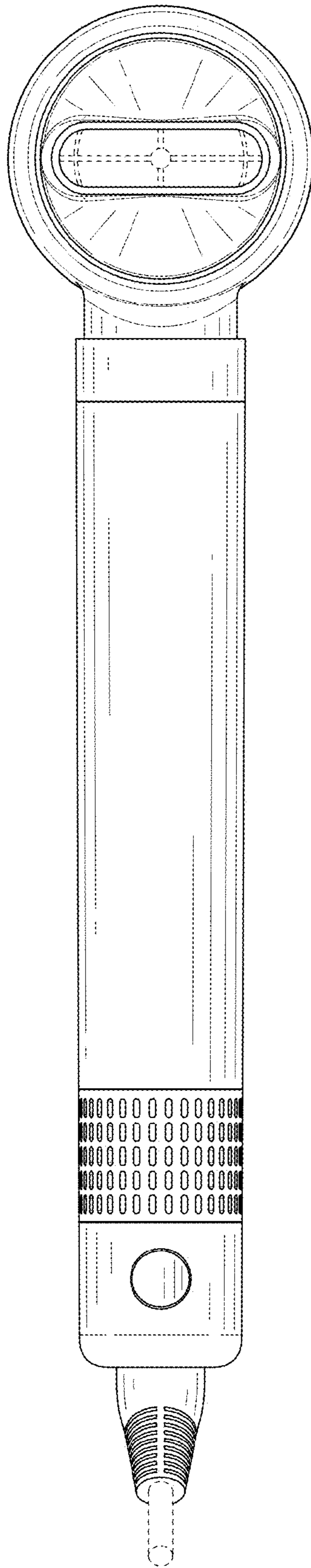


FIG. 3

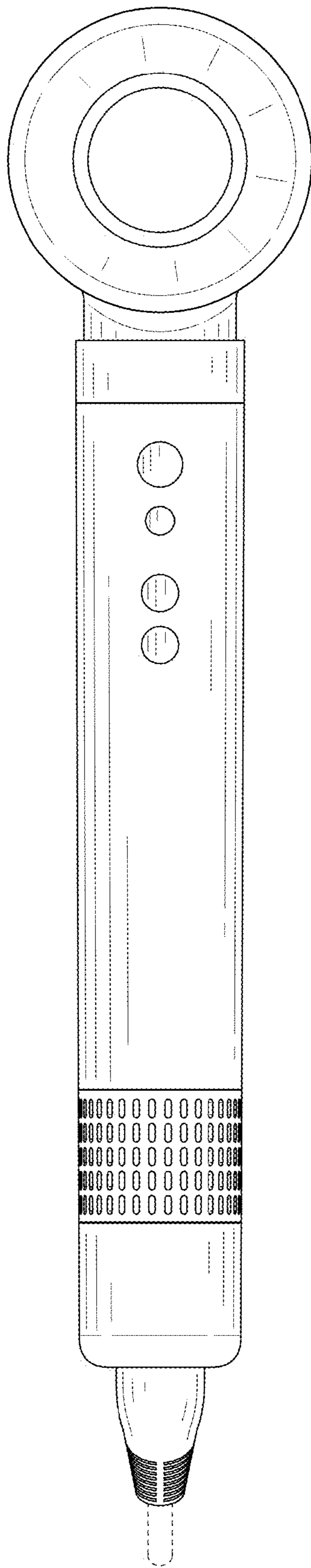


FIG. 4

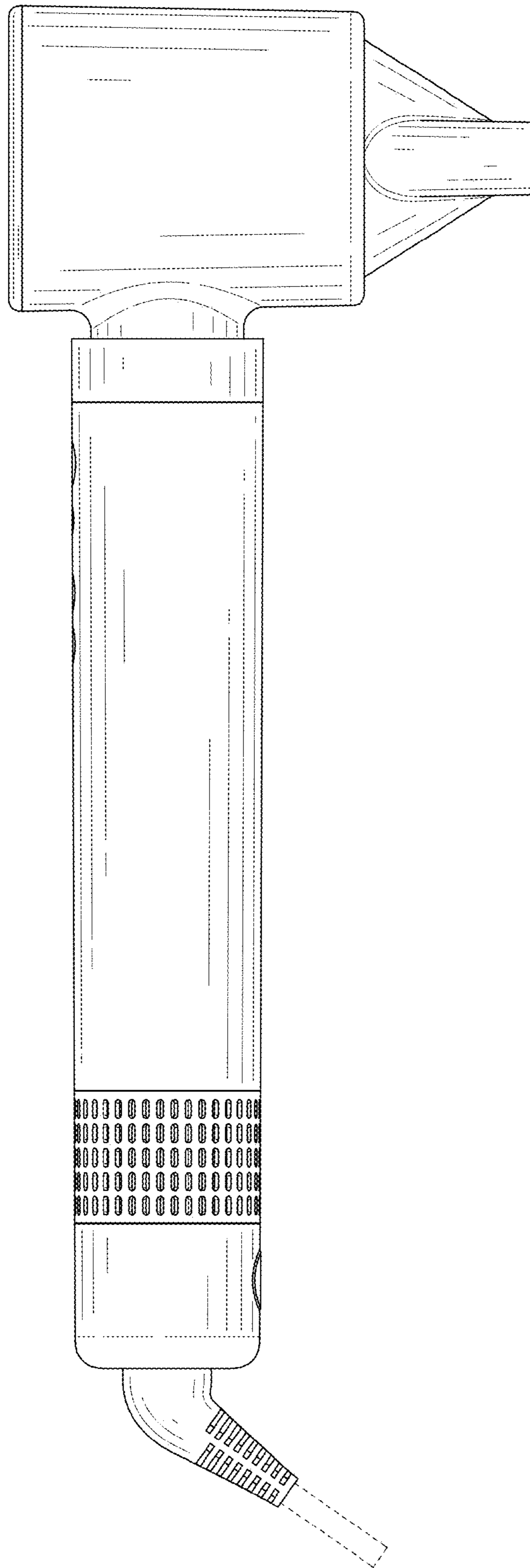


FIG. 5

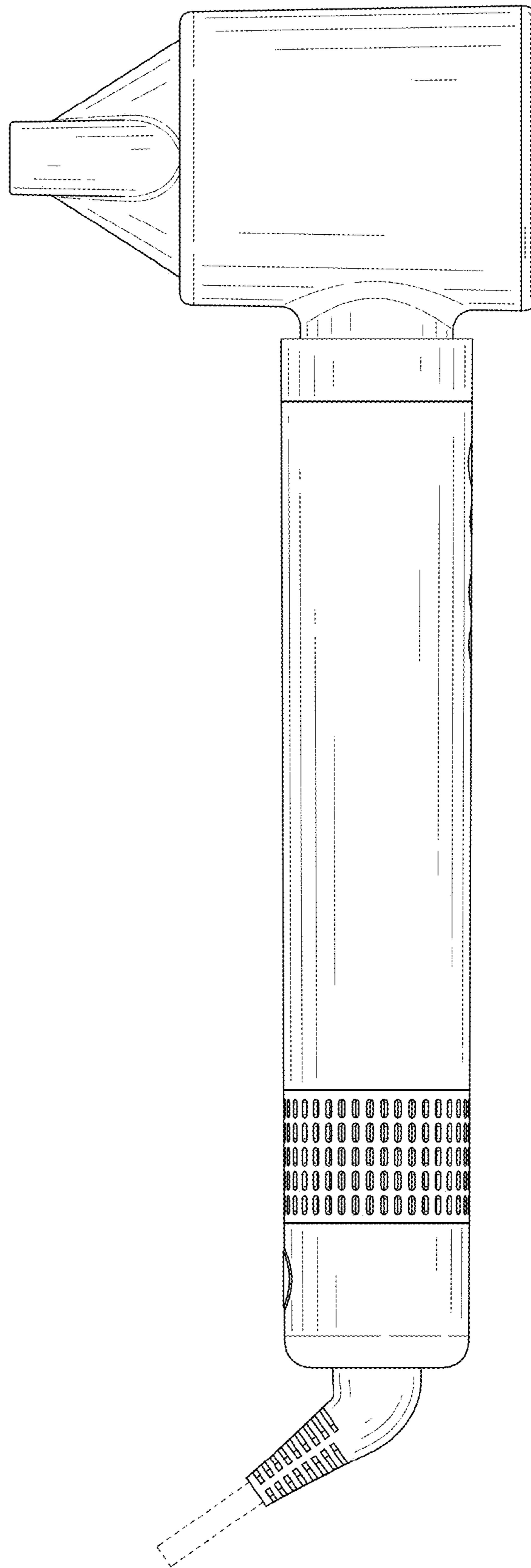


FIG. 6

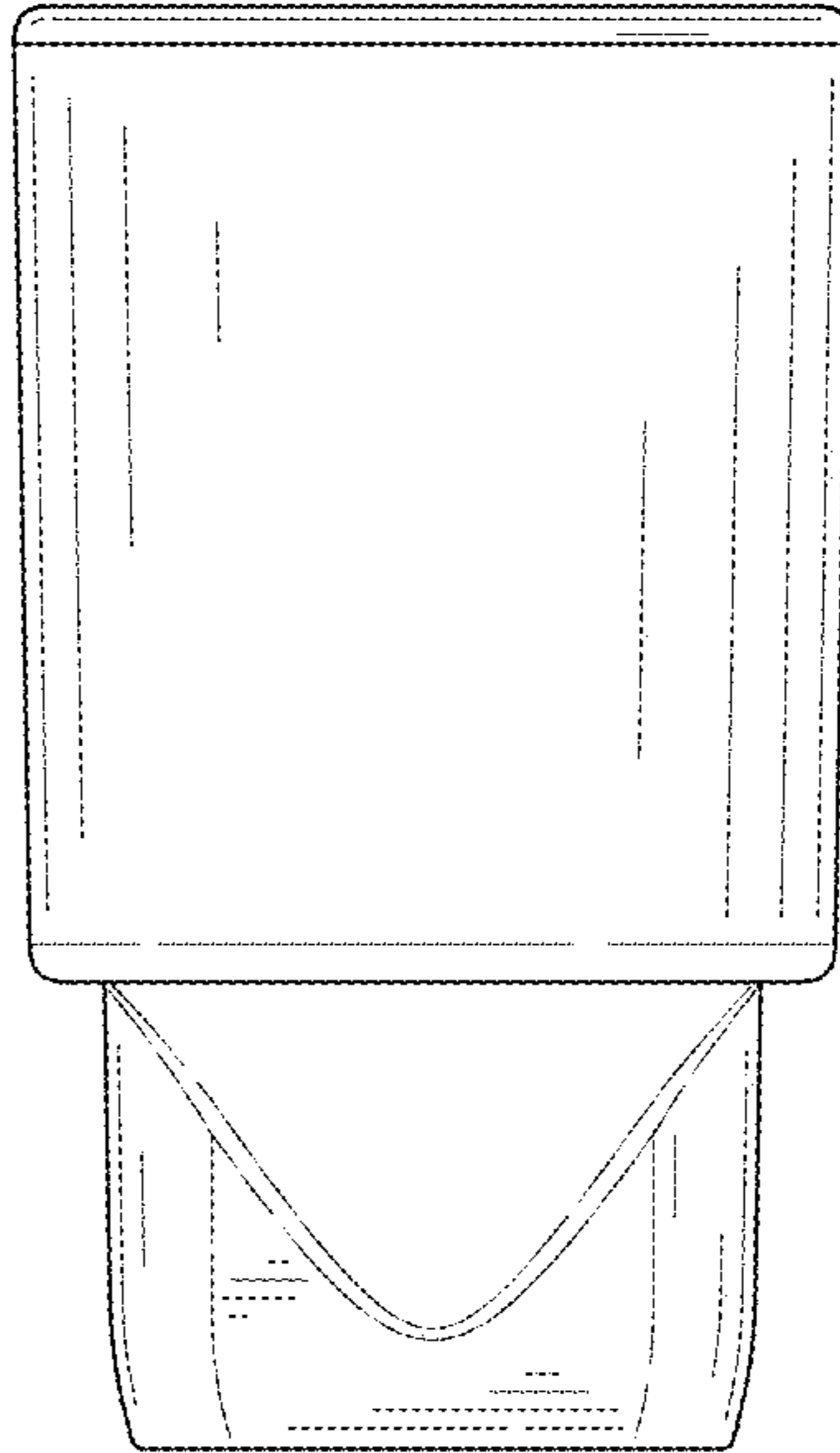


FIG. 7



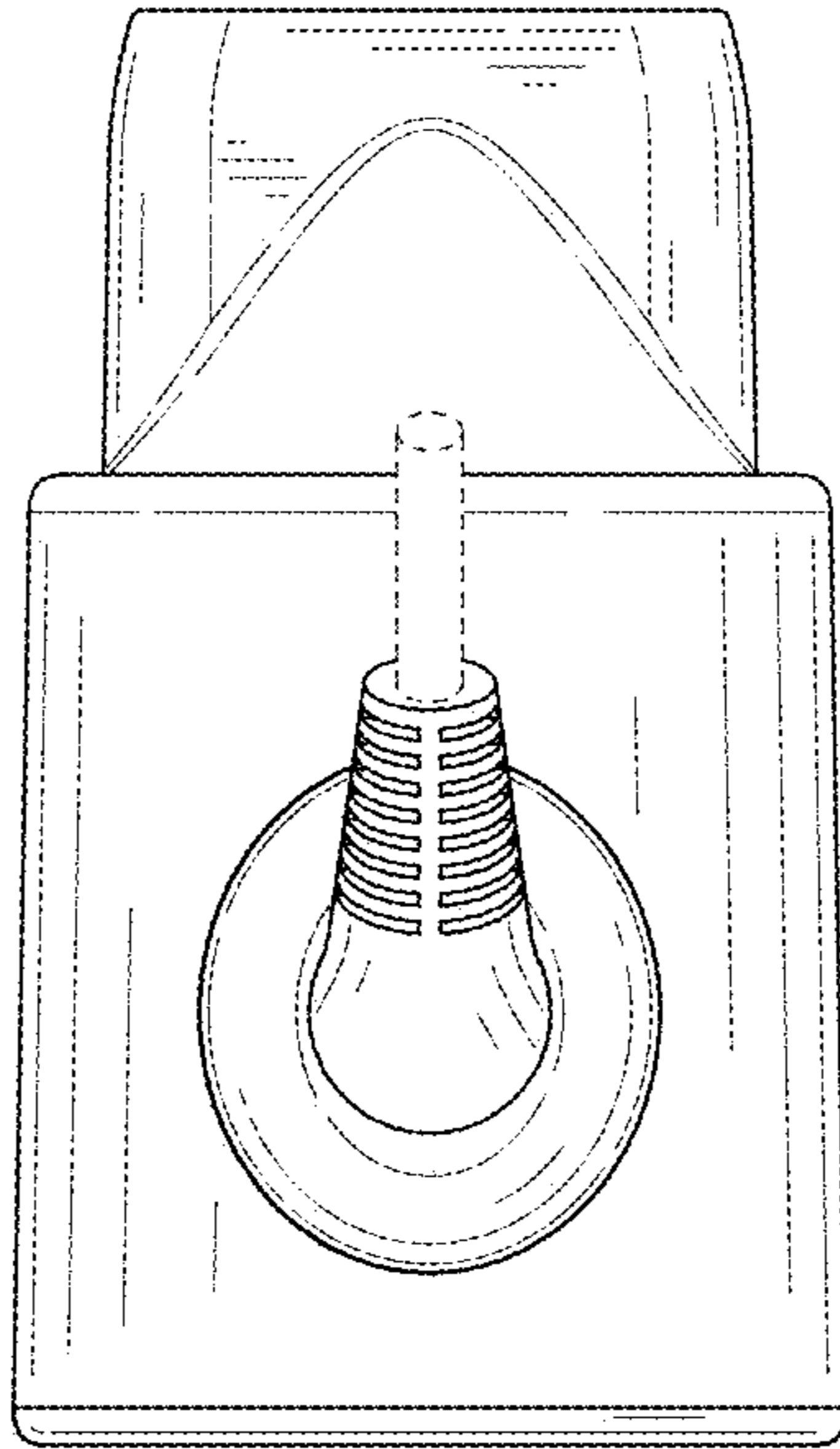


FIG. 8

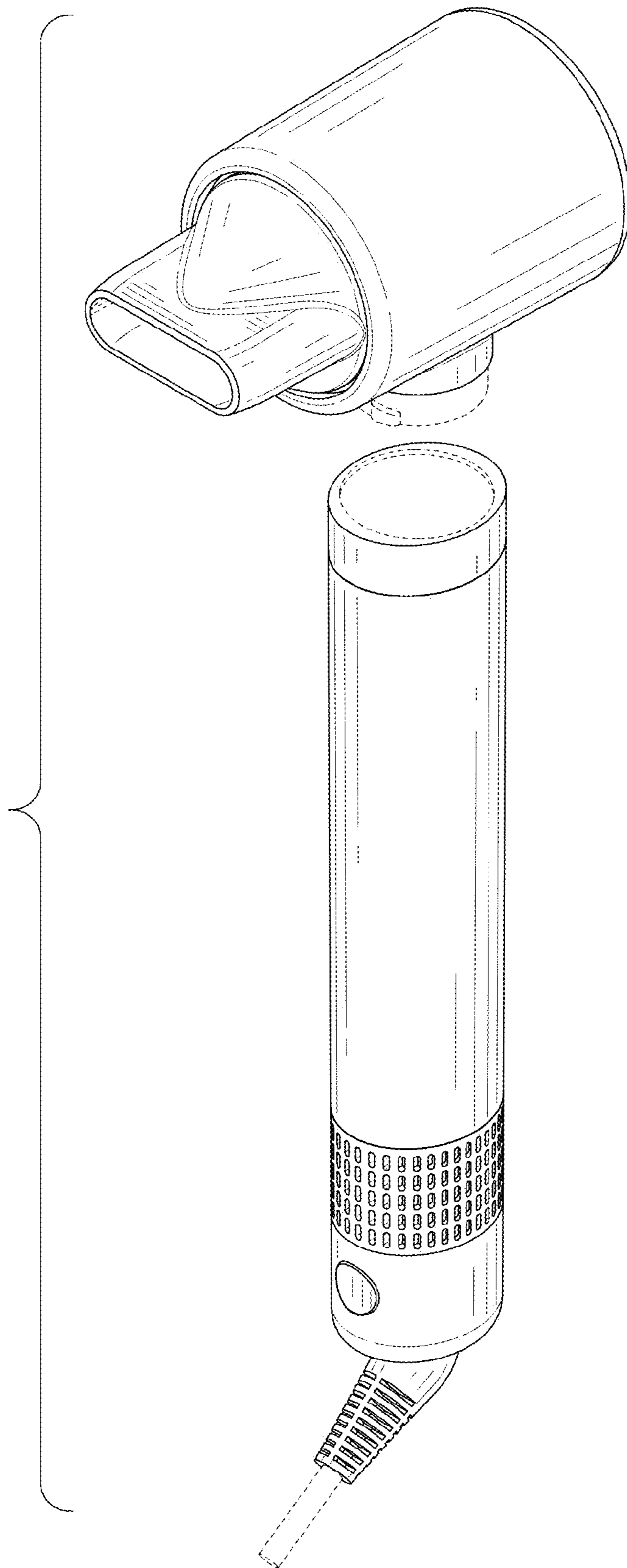


FIG. 9

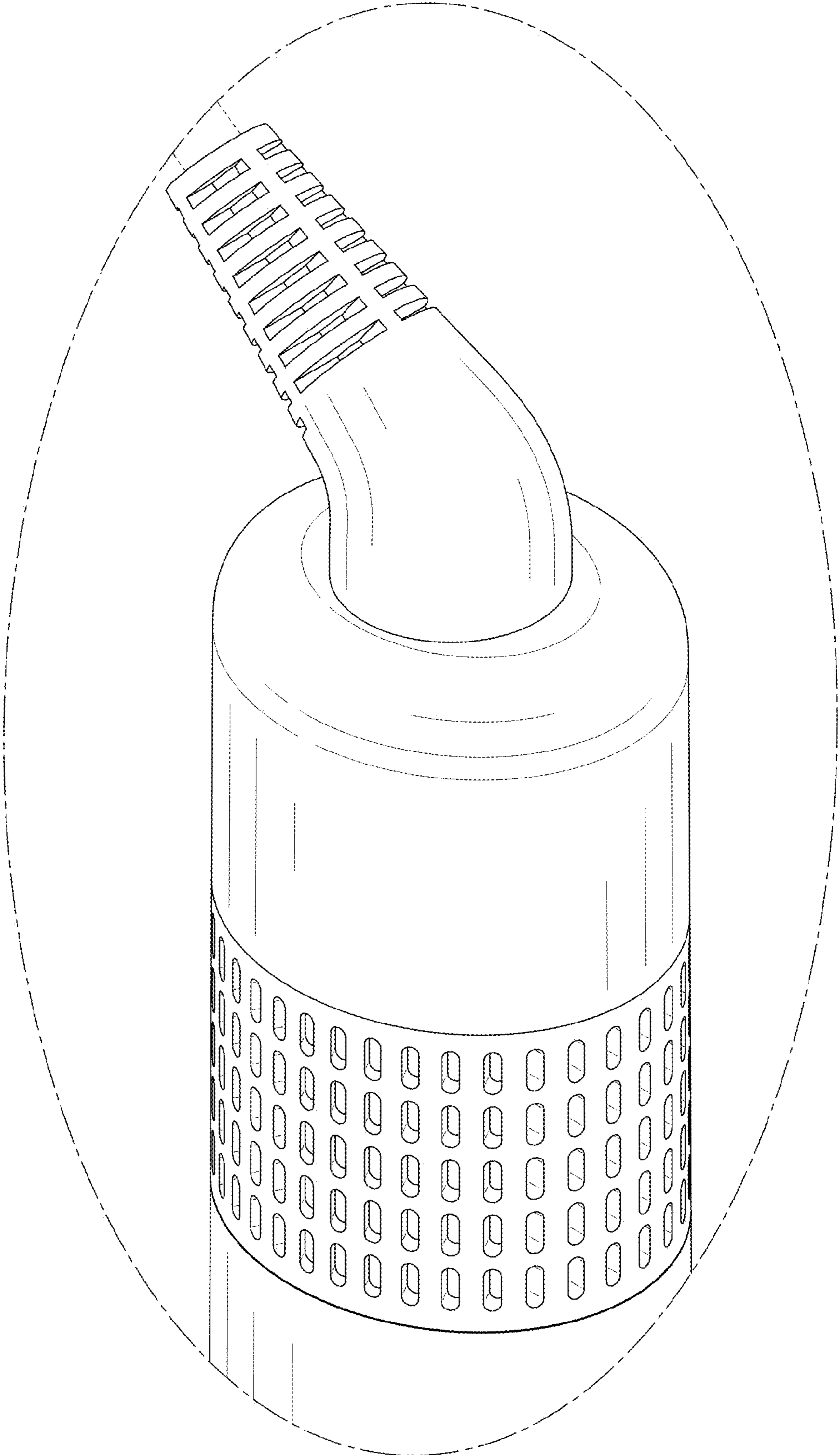


FIG. 10