



US00D955635S

(12) **United States Design Patent** (10) **Patent No.:** **US D955,635 S**
Lotti (45) **Date of Patent:** **** Jun. 21, 2022**

(54) **FALSE EYELASH APPLICATOR**
(71) Applicant: **Lashify, Inc.**, Los Angeles, CA (US)
(72) Inventor: **Sahara Lotti**, Los Angeles, CA (US)
(73) Assignee: **Lashify, Inc.**, North Hollywood, CA (US)
(**) Term: **15 Years**
(21) Appl. No.: **29/771,884**
(22) Filed: **Feb. 25, 2021**

2,323,595 A 7/1943 Hanisch
2,392,694 A 1/1946 Rector
D154,227 S 6/1949 Alvizua
D155,559 S 10/1949 Tillmann
2,618,279 A 11/1952 Reiffert
(Continued)

FOREIGN PATENT DOCUMENTS

CN 102975141 A 3/2013
CN 103027410 A 4/2013
(Continued)

OTHER PUBLICATIONS

Tweezer and Falese Eyelash Applicator By: The Sunday Girl found on line Apr. 13, 2021 <http://www.thesundaygirl.com/2012/11/bourjois-2-in-1-tweezers-and-false.html> Nov. 5, 2012.*

(Continued)

Primary Examiner — Rebecca Tsehaye
(74) *Attorney, Agent, or Firm* — Lowenstein Sandler LLP

(57) **CLAIM**

An ornamental design for a false eyelash applicator, as shown and described.

DESCRIPTION

FIG. 1 is an illustration of a front perspective view of a false eyelash applicator;
FIG. 2 is a front elevation view thereof;
FIG. 3 is a rear elevation view thereof;
FIG. 4 is a right-side elevation view thereof;
FIG. 5 is a left-side elevation view thereof;
FIG. 6 is a top view thereof;
FIG. 7 is a bottom view thereof; and,
FIG. 8 is a bottom perspective view thereof.
The broken lines shown in the drawings illustrate portions of the false eyelash applicator that form no part of the claimed design.

1 Claim, 5 Drawing Sheets

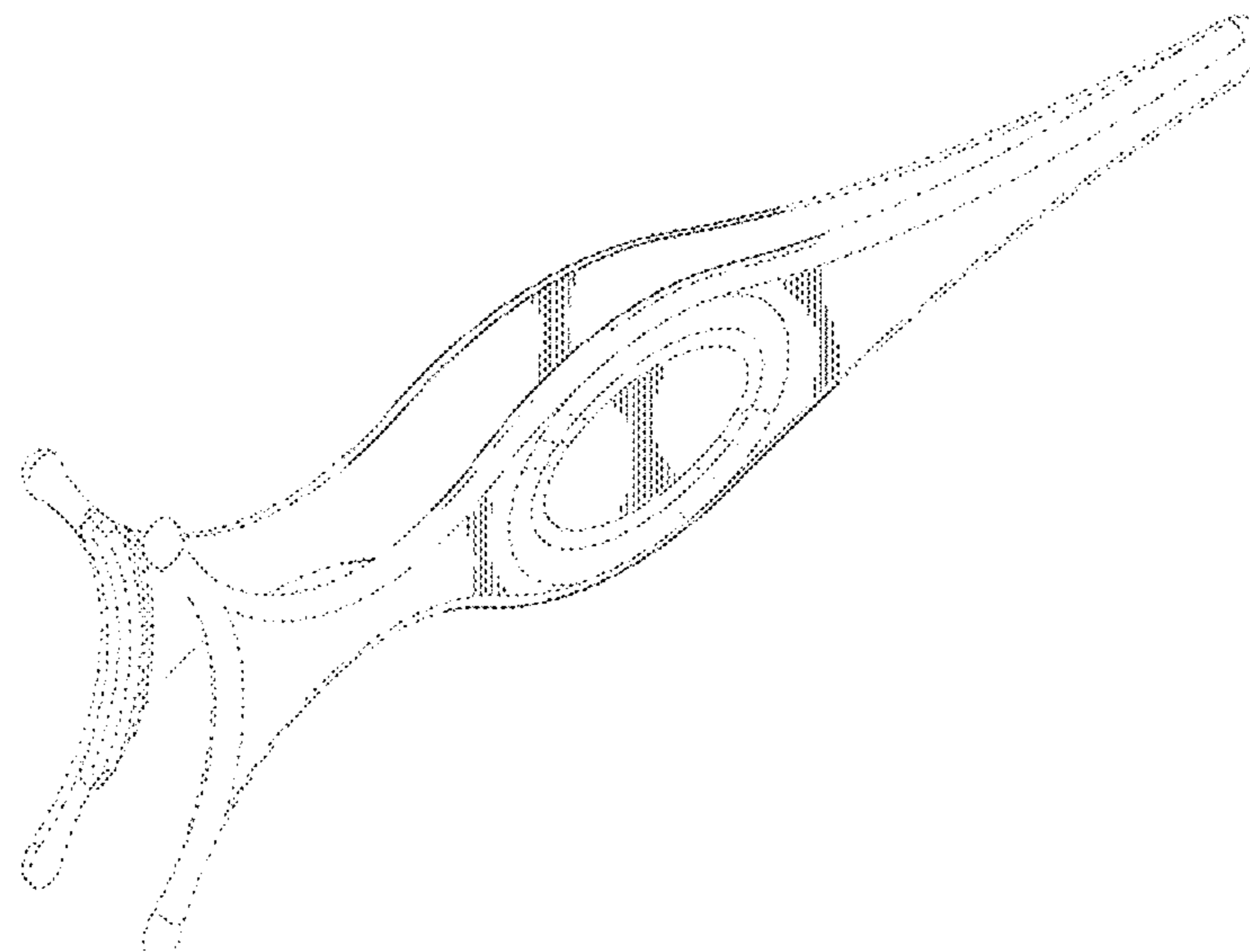
Related U.S. Application Data

(62) Division of application No. 29/708,506, filed on Oct. 7, 2019, now Pat. No. Des. 914,965, which is a division of application No. 29/667,367, filed on Oct. 19, 2018, now Pat. No. Des. 863,679.
(51) **LOC (13) Cl.** **28-02**
(52) **U.S. Cl.**
USPC **D28/7**
(58) **Field of Classification Search**
USPC D28/7, 10, 36, 55, 57, 44.2; D8/51, 52, D8/57, 107, 300, 301, 306, 307, 308, 313, D8/314
CPC A41G 5/02; A41G 5/00; A41G 5/0086; A61B 17/083; A61B 17/08; A61B 17/3201; A61B 17/32; A61B 17/00; A61B 17/0467
See application file for complete search history.

(56) **References Cited**

U.S. PATENT DOCUMENTS

1,021,063 A 3/1912 Miller
1,831,801 A 11/1931 Birk
1,897,747 A 2/1933 Birk
D101,791 S 11/1936 Rauh
D129,526 S 9/1941 Hanisch
2,268,082 A 12/1941 Phillips, Sr.



(56)

References Cited

U.S. PATENT DOCUMENTS

2,812,768 A	11/1957	Giuliano	5,765,571 A	6/1998	Dinnel
3,016,059 A	1/1962	Hutton	D397,040 S	8/1998	Bakic
3,032,042 A	5/1962	Meehan	5,813,418 A	9/1998	Pillars
3,174,321 A	3/1965	Williams	D403,922 S	1/1999	Terracciano et al.
3,295,534 A	1/1967	Dorkin	D404,531 S	1/1999	Bakic et al.
3,343,552 A	9/1967	Steffen	5,894,846 A	4/1999	Gang
3,392,727 A	7/1968	Hanlon	5,896,996 A	4/1999	Chuang
3,447,540 A	6/1969	Osher	D418,253 S	12/1999	Bakic
3,454,015 A	7/1969	Udes	6,003,467 A	12/1999	Shelton-Ferrell et al.
3,478,754 A	11/1969	Martin, Jr.	6,016,814 A	1/2000	Elliott
3,547,135 A	12/1970	Roos	6,019,107 A	2/2000	Overmyer et al.
3,557,653 A	1/1971	Kim	6,029,674 A	2/2000	Han
3,561,454 A	2/1971	Oconnell	6,032,609 A	3/2000	Luoma
3,625,229 A	12/1971	Silson	6,035,861 A	3/2000	Copello
3,645,281 A	2/1972	Seidler	6,092,291 A	7/2000	Cendoma
3,670,742 A	6/1972	Weaner	6,109,274 A	8/2000	Ingersoll
3,703,180 A	11/1972	Aylott	D437,086 S	1/2001	Dickert
3,828,803 A	8/1974	Windsor	6,174,321 B1	1/2001	Webb
3,833,007 A	9/1974	Jacobs	D442,304 S	5/2001	Huang
3,900,038 A	8/1975	Masters	6,230,715 B1	5/2001	Cho
D240,769 S	7/1976	Bowman	D443,471 S	6/2001	Lillelund et al.
3,970,092 A	7/1976	Nelson	6,247,476 B1	6/2001	Sartena
3,971,392 A	7/1976	Brehmer	6,257,250 B1	7/2001	Sartena
3,980,092 A	9/1976	Garufi	6,265,010 B1	7/2001	Franco
3,982,313 A	9/1976	Nelson, Jr.	D448,927 S	10/2001	Vazquez
4,016,889 A	4/1977	Cowles	6,302,115 B1	10/2001	Sartena
4,029,111 A	6/1977	Barton	6,308,716 B1	10/2001	Han
4,049,006 A	9/1977	Saunders et al.	D452,151 S	12/2001	Scott
4,168,713 A	9/1979	Agiotis	D454,981 S	3/2002	Lamagna
4,203,518 A	5/1980	Current	D456,077 S	4/2002	Etter et al.
4,205,693 A	6/1980	Mallouf	D458,413 S	6/2002	Boilen
4,225,693 A	9/1980	McCormick	6,405,736 B2	6/2002	Townsend
4,254,772 A	3/1981	McNamee	6,439,406 B1	8/2002	Duhon
4,254,784 A	3/1981	Nelson	D463,280 S	9/2002	Brozell
4,284,092 A	8/1981	Auretta	D463,744 S	10/2002	Brozell
4,296,765 A	10/1981	Bachtell	D464,565 S	10/2002	Weinstein et al.
D261,601 S	11/1981	Kettlestrings	D464,877 S	10/2002	Weinstein et al.
4,299,242 A	11/1981	Choe	6,471,515 B2	10/2002	Feuer
4,360,033 A	11/1982	Schmehling	D467,800 S	12/2002	Chen et al.
4,395,824 A	8/1983	Puro	6,494,212 B1	12/2002	Yamakoshi
4,458,701 A	7/1984	Holland	6,530,379 B2	3/2003	Iosilevich
4,509,539 A	4/1985	Alfieri	D472,675 S	4/2003	Lamagna
D280,354 S	8/1985	Bakic	D472,810 S	4/2003	Gelardi et al.
4,600,029 A	7/1986	Ueberschaar	D473,106 S	4/2003	Scherer
4,697,856 A	10/1987	Abraham	6,561,197 B2	5/2003	Harrison
4,739,777 A	4/1988	Nelson	D475,616 S	6/2003	Lambrecht
4,784,713 A	11/1988	Van Nieulande	6,581,609 B2	6/2003	Ott
D301,371 S	5/1989	Kaprelian	D479,365 S	9/2003	Todeschini
4,865,057 A	9/1989	Braun	D481,946 S	11/2003	Nicholson et al.
4,934,387 A	6/1990	Megna	D481,952 S	11/2003	Orsomando
4,964,428 A	10/1990	Lamatrice	D482,928 S	12/2003	Liu
5,033,626 A	7/1991	Platti	D483,232 S	12/2003	Liu
5,072,745 A	12/1991	Cheh	D483,633 S	12/2003	Jansson et al.
5,082,010 A	1/1992	Skaryd et al.	D483,909 S	12/2003	Todeschini
5,117,846 A	6/1992	Finamore et al.	D485,359 S	1/2004	McMichael et al.
D328,246 S	7/1992	Nottingham et al.	6,688,315 B1	2/2004	Harrison
5,154,195 A	10/1992	Irisawa	6,691,714 B1	2/2004	Yaguchi et al.
D342,671 S	12/1993	Elliott	6,708,696 B2	3/2004	Ferguson
5,307,826 A	5/1994	Iosilevich	D490,932 S	6/2004	Mammone
5,322,166 A	6/1994	Crowther	D495,834 S	9/2004	Todeschini
5,377,700 A	1/1995	Harris	D496,759 S	9/2004	Rodriguez
D358,312 S	5/1995	Keenan	6,820,625 B2	11/2004	Park
5,411,775 A	5/1995	Wilson	D501,580 S	2/2005	Sugawara
5,419,345 A	5/1995	Kadymir	D506,573 S	6/2005	de Grandcourt
D359,583 S	6/1995	Abbo	D507,678 S	7/2005	Lamagna
5,533,529 A	7/1996	Ohno	6,935,348 B2	8/2005	Gold
5,547,529 A	8/1996	Woolf	6,935,349 B2	8/2005	Nicot et al.
5,571,543 A	11/1996	Song et al.	D509,942 S	9/2005	Connolly et al.
D379,923 S	6/1997	De Baschmakoff	D512,913 S	12/2005	Gauthier
D380,616 S	7/1997	Leslie et al.	6,973,931 B1	12/2005	King
D382,198 S	8/1997	Mulhauser et al.	6,981,814 B2	1/2006	Geardino et al.
D386,808 S	11/1997	Litton	D515,242 S	2/2006	Cho
D387,483 S	12/1997	Sloan	D516,247 S	2/2006	Merheje
D388,549 S	12/1997	Mouyiaris et al.	7,000,775 B2	2/2006	Gelardi et al.
5,746,232 A	5/1998	Martin et al.	7,036,518 B2	5/2006	Park
			D522,376 S	6/2006	Hales
			D532,891 S	11/2006	Buthier et al.
			D533,650 S	12/2006	Ohta
			D534,426 S	1/2007	Bakic

(56)

References Cited

U.S. PATENT DOCUMENTS

7,168,432 B1	1/2007	Brumfield	D686,495 S	7/2013	Murray
D537,208 S	2/2007	Shaljian	D690,419 S	9/2013	Porat
D540,112 S	4/2007	Nichols et al.	8,528,571 B2	9/2013	Costa
D543,662 S	5/2007	Bivona et al.	8,596,284 B2	12/2013	Byrne
D543,815 S	6/2007	Metcalf	8,616,223 B2	12/2013	Rabe et al.
D543,850 S	6/2007	Legros	D698,078 S	1/2014	Purizhansky et al.
D544,148 S	6/2007	Bivona et al.	8,657,170 B2	2/2014	Martinez
D544,202 S	6/2007	Markfelder	D700,799 S	3/2014	Ludeman et al.
D545,396 S	6/2007	Casey et al.	8,701,685 B2	4/2014	Chipman
7,228,863 B2	6/2007	Dumler et al.	D707,392 S	6/2014	Yu et al.
D546,002 S	7/2007	Bowen	D707,556 S	6/2014	Kawamura
D547,940 S	8/2007	Sandy	8,739,803 B2	6/2014	Freelove
D559,457 S *	1/2008	Garland D28/55	8,752,562 B2	6/2014	Dinh
D561,045 S	2/2008	Lee	D709,129 S	7/2014	Moertl
D561,942 S	2/2008	Khubani	D711,227 S	8/2014	Sheikh
D563,157 S	3/2008	Bouveret et al.	D713,217 S	9/2014	Micara-Sartori et al.
D563,616 S	3/2008	Lynde et al.	D714,494 S	9/2014	Vasquez et al.
D563,728 S	3/2008	Welch, III	8,826,919 B2	9/2014	Dinh
D569,041 S	5/2008	Azoulay	D716,498 S	10/2014	Wolff
D569,553 S	5/2008	Cho	8,875,718 B2	11/2014	Dinh
7,374,048 B2	5/2008	Mazurek	8,881,741 B1	11/2014	Mattson et al.
D573,308 S	7/2008	Wittke-Kothe	8,939,159 B2	1/2015	Yeo
D575,904 S	8/2008	Iqbal	8,967,158 B2	3/2015	Sanbonmatsu
7,469,701 B1	12/2008	Bernard	9,004,299 B2	4/2015	Hardin
D584,449 S	1/2009	Shaljian	9,044,076 B2	6/2015	Temple
D588,746 S	3/2009	Ross	9,078,480 B2	7/2015	Beschta
D591,599 S	5/2009	Okin et al.	9,107,461 B2	8/2015	Martins et al.
D592,923 S	5/2009	Konopka	D738,579 S	9/2015	Owens et al.
7,533,676 B2	5/2009	Sthair	D738,611 S	9/2015	Gupta
D595,054 S	6/2009	Whitaker	9,149,083 B1	10/2015	Dinh
D600,441 S	9/2009	Estrada	9,179,722 B2	11/2015	Le
D602,354 S	10/2009	Dibnah et al.	D746,514 S	12/2015	Lambridis et al.
7,600,519 B2	10/2009	Dinh	9,215,901 B1	12/2015	Schroeder
D604,579 S	11/2009	Robinson et al.	9,254,012 B2	2/2016	Pham
7,610,921 B2	11/2009	Gold	D751,904 S	3/2016	Landrum et al.
D605,514 S	12/2009	Weber	9,277,777 B2	3/2016	Lee et al.
D607,332 S	1/2010	Huntington et al.	D753,455 S	4/2016	Hyma et al.
D615,290 S	5/2010	Heffner	D753,881 S	4/2016	Hussain et al.
D617,187 S	6/2010	Murray	9,314,085 B2	4/2016	Hatch
D617,943 S	6/2010	Bouix et al.	D755,577 S	5/2016	Segal
D618,078 S	6/2010	Cripps et al.	D757,274 S	5/2016	Gelb et al.
7,748,391 B2	7/2010	Vance	D758,009 S	5/2016	Berkos
D627,103 S	11/2010	Cho	9,339,072 B2	5/2016	Kenna
D631,606 S	1/2011	Chen	9,351,752 B2	5/2016	Slavin
D638,733 S	5/2011	Sullivan et al.	D761,489 S	7/2016	Krakovszki
D639,196 S	6/2011	Sullivan et al.	D762,433 S	8/2016	Yang
D640,005 S	6/2011	Lee et al.	D764,688 S	8/2016	Robinson et al.
D640,834 S	6/2011	Chen	D765,909 S	9/2016	Marchica et al.
D641,106 S	7/2011	Williams et al.	9,439,465 B2	9/2016	Ott
8,015,980 B2	9/2011	Rabe et al.	9,451,800 B2	9/2016	Dinh
8,042,553 B2	10/2011	Paris	9,456,646 B2	10/2016	Calina
D647,799 S	11/2011	Dunwoody	9,462,837 B2	10/2016	Ngo
D650,669 S	12/2011	Dunwoody	9,486,025 B1	11/2016	Dinh
D650,670 S	12/2011	Dunwoody	D773,915 S	12/2016	Barakat et al.
D651,082 S	12/2011	Dunwoody	D775,270 S	12/2016	Moffat
8,127,774 B2	3/2012	Dinh	9,565,883 B2	2/2017	Dinh
D657,496 S	4/2012	Flatt	9,596,898 B2	3/2017	Seawright
D657,696 S	4/2012	Floyd et al.	D783,899 S	4/2017	Roh
D659,330 S	5/2012	Davis	D783,901 S	4/2017	Kim et al.
8,171,943 B2	5/2012	Hamano	D784,615 S	4/2017	Choi
D661,185 S	6/2012	Battat	9,622,527 B2	4/2017	Nguyen
D661,599 S	6/2012	Floyd et al.	D788,556 S	6/2017	James
8,196,591 B2	6/2012	Lee et al.	9,730,481 B2	8/2017	Uresti
8,205,761 B2	6/2012	Stull, Sr. et al.	D796,582 S	9/2017	Beard
D664,011 S	7/2012	Affonso	D800,966 S	10/2017	Silva
8,225,800 B2	7/2012	Byrne	D805,135 S	12/2017	Beard
D669,223 S	10/2012	Lee et al.	D806,315 S	12/2017	Hardwick
D670,030 S	10/2012	Nguyen	9,848,661 B2	12/2017	Harris et al.
D673,325 S	12/2012	Martines	9,848,662 B2	12/2017	Dinh
8,342,186 B2	1/2013	Freelove	D810,534 S	2/2018	Liu
D679,590 S	4/2013	Stull, Sr. et al.	D810,543 S	2/2018	Astradsson et al.
D679,595 S	4/2013	Stull, Sr. et al.	D811,872 S	3/2018	Wu
D679,596 S	4/2013	Stull, Sr. et al.	D814,107 S	3/2018	Lotti et al.
D682,103 S	5/2013	Jedlicka et al.	D814,260 S *	4/2018	Dhubb B26B 17/00 D8/52
D682,688 S	5/2013	Murray	D817,132 S	5/2018	Yang
			9,993,373 B2	6/2018	Nassif et al.
			D823,538 S	7/2018	Ruggaber
			D823,683 S	7/2018	Caldwell

US D955,635 S

(56)

References Cited

U.S. PATENT DOCUMENTS

D825,333 S	8/2018	Ozamiz et al.	2009/0071492 A1	3/2009	Oh
D828,013 S	9/2018	Van Wijngaarden et al.	2009/0178689 A1	7/2009	Navarro et al.
D828,014 S	9/2018	Van Wijngaarden et al.	2009/0217936 A1	9/2009	Sato et al.
D828,629 S	9/2018	Hussain	2009/0217939 A1	9/2009	Rabe et al.
D829,381 S	9/2018	Kim	2009/0223534 A1	9/2009	Green
D830,170 S	10/2018	Holmes	2009/0241973 A1	10/2009	Hampton
D832,701 S	11/2018	Oates	2009/0241979 A1	10/2009	Navarro et al.
D832,702 S	11/2018	Oates	2009/0255547 A1	10/2009	Starks et al.
D835,465 S	12/2018	Son et al.	2009/0266376 A1	10/2009	Beschta
D836,432 S	12/2018	Riedel et al.	2010/0043816 A1	2/2010	Dix
10,149,528 B2	12/2018	Erickson et al.	2010/0065078 A1	3/2010	Reece
D836,943 S	1/2019	Klieman	2010/0070526 A1	3/2010	Matias
D837,653 S	1/2019	Meranus	2010/0170526 A1	7/2010	Nguyen
D840,104 S	2/2019	Hussain et al.	2011/0079233 A1	4/2011	Cheh
10,264,837 B2	4/2019	Park	2011/0079235 A1	4/2011	Reed
D847,631 S	5/2019	Villbrandt	2011/0121592 A1	5/2011	Cho
D847,632 S	5/2019	Villbrandt	2011/0127228 A1	6/2011	Sagel
D848,795 S	5/2019	Butler	2011/0226274 A1	9/2011	Turner
D850,715 S	6/2019	Lotti	2011/0240049 A1	10/2011	Kim et al.
D852,412 S	6/2019	Grund et al.	2011/0278869 A1	11/2011	Lee et al.
D863,679 S	10/2019	Lotti	2011/0290271 A1	12/2011	Rabe et al.
D867,664 S	11/2019	Lotti	2012/0037177 A1	2/2012	Teater Makinen
D867,668 S	11/2019	Lotti	2012/0055499 A1	3/2012	Sanbonmatsu
D871,673 S	12/2019	Qureshi et al.	2012/0160259 A1	6/2012	Nguyen et al.
D877,416 S	3/2020	Lotti	2012/0174939 A1	7/2012	Starks et al.
D890,430 S	7/2020	Lotti	2012/0180804 A1	7/2012	Hochi et al.
10,721,984 B2	7/2020	Lotti	2012/0266903 A1	10/2012	Devlin
D895,201 S *	9/2020	Lotti D28/7	2012/0305020 A1	12/2012	Byrne
D909,680 S *	2/2021	Hussain D28/55	2012/0318290 A1	12/2012	Kim
D914,965 S *	3/2021	Lotti D28/7	2013/0019889 A1	1/2013	Palmer-Rogers
2001/0035192 A1	11/2001	Townsend	2013/0042884 A1	2/2013	Wilkinson
2001/0037813 A1	11/2001	Ra	2013/0110032 A1	5/2013	Luzon et al.
2002/0056465 A1	5/2002	Shin	2013/0160783 A1	6/2013	Ahn et al.
2002/0094507 A1	7/2002	Feuer	2013/0167855 A1	7/2013	Kupitz
2002/0114657 A1	8/2002	Gueret	2013/0167858 A1	7/2013	Lee
2002/0198597 A1	12/2002	Godfrey	2013/0255706 A1	10/2013	Dinh
2003/0005941 A1	1/2003	Iosilevich	2013/0276807 A1	10/2013	Teater Makinen
2003/0111467 A1	6/2003	Coomes	2013/0298931 A1	11/2013	Samain et al.
2003/0155317 A1	8/2003	McNeeley	2013/0306089 A1	11/2013	Araujo Costa
2003/0226571 A1	12/2003	Rahman	2013/0306094 A1	11/2013	West
2004/0011371 A1	1/2004	Harrison	2013/0312782 A1	11/2013	Kindall
2004/0011372 A1	1/2004	Park	2013/0320025 A1	12/2013	Mazzetta et al.
2004/0211436 A1	10/2004	Knight	2013/0333714 A1	12/2013	Merszei
2005/0061341 A1	3/2005	Choe	2014/0011372 A1	1/2014	Kato et al.
2005/0098190 A1	5/2005	Kim	2014/0069451 A1	3/2014	Hwang
2005/0098191 A1	5/2005	Frazier	2014/0083447 A1	3/2014	Rabe et al.
2005/0166939 A1	8/2005	Stroud	2014/0110304 A1	4/2014	Wu et al.
2005/0194015 A1	9/2005	Watts	2014/0135914 A1	5/2014	Conant
2005/0247326 A1	11/2005	Park	2014/0216488 A1	8/2014	Dinh
2005/0252517 A1	11/2005	Salinas	2014/0332025 A1	11/2014	Kim et al.
2006/0065280 A1	3/2006	Cheung	2015/0020840 A1	1/2015	Rabe et al.
2006/0065281 A1	3/2006	Kim	2015/0075549 A1	3/2015	Lee et al.
2006/0081267 A1	4/2006	Kuptiz	2015/0114422 A1	4/2015	Abraham et al.
2006/0096609 A1	5/2006	Nwokola	2015/0114423 A1	4/2015	Sanbonmatsu
2006/0124658 A1	6/2006	Coe et al.	2015/0128986 A1	5/2015	Stookey
2006/0129187 A1	6/2006	Cho	2015/0136162 A1	5/2015	Brouillet et al.
2006/0175853 A1	8/2006	Anderson et al.	2015/0173442 A1	6/2015	Raouf
2006/0180168 A1	8/2006	Dinnel	2015/0181967 A1	7/2015	Dinh
2006/0180171 A1	8/2006	Kim	2015/0201692 A1	7/2015	Hansen et al.
2006/0266376 A1	11/2006	Basso	2015/0216246 A1	8/2015	Ahn et al.
2007/0023062 A1	2/2007	McKinstry et al.	2016/0016702 A1	1/2016	Siskindovich et al.
2007/0050207 A1	3/2007	Merszei	2016/0037847 A1	2/2016	Tavakoli
2007/0157941 A1	7/2007	Awad et al.	2016/0037848 A1	2/2016	Lee
2007/0221240 A1	9/2007	Junsuh Lee	2016/0058088 A1	3/2016	Le
2007/0227550 A1	10/2007	Merszei	2016/0088889 A1	3/2016	Kettavong
2007/0272263 A1	11/2007	Gold	2016/0135531 A1	5/2016	Ezechukwu
2007/0272264 A1	11/2007	Byrne	2016/0174645 A1	6/2016	Goldner
2007/0295353 A1	12/2007	Dinh	2016/0192724 A1	7/2016	Scott et al.
2008/0196732 A1	8/2008	Merszei	2016/0192725 A1	7/2016	Merszei
2008/0223390 A1	9/2008	Brown	2016/0206031 A1	7/2016	Stoka
2008/0283072 A1	11/2008	Sun	2016/0286881 A1	10/2016	Ko
2009/0014023 A1	1/2009	Waters	2016/0324241 A2	11/2016	Lee
2009/0026676 A1	1/2009	Kurita et al.	2016/0324242 A1	11/2016	Hansen et al.
2009/0028625 A1	1/2009	Bonneyrat	2016/0345648 A1	12/2016	Miniello et al.
2009/0071490 A1	3/2009	Sthair	2016/0353821 A1	12/2016	Calina
			2017/0000204 A1	1/2017	Wibowo
			2017/0006947 A1	1/2017	Uresti
			2017/0020219 A1	1/2017	Beschta
			2017/0055615 A1	3/2017	Crocilla

(56)

References Cited

U.S. PATENT DOCUMENTS

2017/0079357	A1	3/2017	Dinh
2017/0079358	A1	3/2017	Dinh
2017/0112215	A1	4/2017	Dinh
2017/0112264	A1	4/2017	Park
2017/0127743	A1	5/2017	Nakamura et al.
2017/0150763	A1	6/2017	Schroeder
2017/0231309	A1	8/2017	Han
2017/0258163	A1	9/2017	Uresti
2017/0265550	A1	9/2017	Han et al.
2017/0340041	A1	11/2017	Nguyen
2017/0358245	A1	12/2017	Dana
2017/0360136	A1	12/2017	Ferrier et al.
2018/0065779	A1	3/2018	Chiba
2018/0098591	A1	4/2018	Leefflang
2018/0160755	A1	6/2018	Hansen et al.
2018/0242671	A1	8/2018	Merszei
2018/0242672	A1	8/2018	Lotti
2018/0242715	A1	8/2018	Lotti
2018/0352886	A1	12/2018	Schroeder et al.
2019/0133227	A1	5/2019	Le
2019/0191851	A1	6/2019	Esposito et al.
2019/0254373	A1	8/2019	Kim
2019/0254374	A1	8/2019	Schroeder
2020/0093211	A1	3/2020	Lee

FOREIGN PATENT DOCUMENTS

CN	104363790	A	2/2015
CN	205274180	U	6/2016
CN	302315323		6/2016
CN	303086463		6/2016
CN	304049505		6/2016
CN	304049506		6/2016
CN	304310042		6/2016
CN	304452297		6/2016
CN	304497372		6/2016
CN	304777737		6/2016
CN	304859863		6/2016
CN	304859864		6/2016
CN	305738664		6/2016
CN	305916370		6/2016
CN	304329374		10/2017
CN	304329375		10/2017
CN	304382151		6/2018
EP	1839526	A1	10/2007
EP	006381257		6/2016
EP	006381257-0002		4/2019
EP	006381257-0003		4/2019
GB	102106		11/1916
GB	1021063	A	2/1966
GB	1272616	A	5/1972
GB	1307107	A	2/1973
JP	471395		8/1972
JP	2011177395	A	9/2011
JP	2015105447	A	6/2015
JP	3201846	U	1/2016
JP	2016163699	A	9/2016
KR	200165452	Y1	2/2000
KR	20090010717	A	1/2009
KR	101336422	B1	12/2013
KR	101509029	B1	4/2015
WO	2018022914	A1	2/2018
WO	2018119034	A1	6/2018

OTHER PUBLICATIONS

“Amazon, Ocamo False Eyelashes Curler Stainless Steel Extension Eye Lash Applicator Remover Tweezers Clip Makeup Tools, <https://www.amazon.kin/Ocamo-Eyelashes-Stainless-Extension-Applicator/dp/B07FT5XW8C?tag=googinhydr18418-21&tag=googinkenshoo-21&ascu...>, downloaded from internet Oct. 10, 2018 (3 pages).”
 “Born Pretty, False Eyelashes Thick Natural Simulation Recyclable Curly False Eyelash Makeup Cosmetic Tools, <http://www.bornprettystore.com/false-eyelashes-thick-natural-simulation-recyclable-curly-false-eyelash-makeup-cosmetic-tools-p-44675.html> downloaded from internet Oct. 18, 2018 (6 pages).”

Buy Korea, Plastic, False Eyelash Applicator, Multy colour, <http://www.buykorea.or.kr/product-details/Plastic-False-Eyelash-Applicator-Multy-colour--3106709.html>, downloaded from internet Feb. 14, 2019 (3 pages).
 “Dream Lashes Curved Volume Tweezer—3 Minute Test, <https://www.youtube.com/watch?v=vwqYeE0SD7s>, downloaded from the internet Feb. 13, 2019 (1 page).”
 Focallure, <https://shopfocallure.com/collections/eyelashes/products/eyelash-tweezer-by-focallure>, downloaded from internet Feb. 14, 2019 (1 page).
 Madame Madeline Lashes, Ardell Dual Lash Applicator, https://www.madamemadeline.com/online_shoppe/proddetail.asp?prod=mm62059, downloaded from internet Oct. 18, 201 (3 pages).
 Peonies and Lilies, Bourjois 2 in 1 Tweezers and Faux & Fabulous Eyelashes, posted Oct. 24, 2012 (2 pages).
 Plastic, False Eyelash Applicator, Multy colour, By Korea, copyright 2013, 3 pages.
 Bourjois 2 in 1 Tweezers and Faux & Fabulous Eyelashes by Peonies and lilies, 2 pages.
 Ardell Dual Lash Applicator, https://www.madamemadeline.com/online_shoppe/proddetail.asp?prod=mm62059, Oct. 18, 2018, 3 pages.
 Ocamo False Eyelashes Curler Stainless Steel Extension Eye Lash Applicator Remover Tweezer Clip Makeup Tools, Oct. 10, 2018, <https://www.amazon.kin/Ocamo-Eyelashes-Stainless-Extension-Applicator/dp/BOZFT5XW8C?tag=googinhydr18418-21&tag=googinkenshoo-21&ascu...>, 3 pages.
 Focallur, <https://shopfocallure.com/collections/eyelashes/products/eyelash-tweezer-by-focallure>, 1 page.
 Cosmopolitan, You’ve Been Applying False Eyelashes Wrong Your Whole Life, <https://www.cosmopolitan.com/style-beauty/beauty/how-to/a55781/this-false-eyelash-hack-will-change-your-life/>, Mar. 25, 2016 (12 pages).
 Delicate Hummingbird, Ha! I’ve mastered the false lashes!, <http://delicatehummingbird.blogspot.com/2011/11/ha-ive-mastered-false-lashes.htm>, Nov. 10, 2011 (12 pages).
 Electron Microscopy Sciences, “EMS High Precisions and Ultra Fine Tweezers.” https://www.emsdiasum.com/microscopy/products/tweezers/ultra_fine.aspx. Downloaded from the internet Feb. 13, 2019 (7 pages).
 Hongjun web page, <https://detail.1686.com/offer/574685154963.html?spm=a2615.7691456.newlist.75.22f96dc5Msy00t>, downloaded from internet Oct. 31, 2018 (16 pages).
 Image Essentials, How to wear false eyelashes without looking like you’re wearing them, <https://imageessentials.wordpress.com/2012/03/30/how-to-wear-false-eyelashes-without-looking-like-youre-wearing-any/>, Mar. 30, 2012 (5 pages).
 International Search Report and Written Opinion dated Dec. 23, 2019 in related PCT/US2019/057102 filed Oct. 19, 2019 (8 pages).
 International Search Report and Written Opinion dated Mar. 12, 2018 in related PCT/US2017/067513 filed Dec. 20, 2017 (10 pages).
 International Search Report and Written Opinion dated Nov. 27, 2017 in related PCT/US2017/044217 filed Jul. 27, 2017 (10 pages).
 Japonesque False Lash Applicator, <https://japonesque.com/products/implements/false-lash-applicator/>, downloaded from internet Feb. 13, 2019 (6 pages).
 Lashify Wand, <https://www.instagram.com/p/BWgeQ8wg00S/?iqlshid=zaiiyw8a6v5>, downloaded from internet 2019 (1 page).
 Made In China, New Product Eyelashes Aid Eyelashes Applicator Innovative Eyelashes Curler, 2018, <https://www.made-in-china.com/productdirectory.do?word=creative+eyelashes+curler&subaction=hunt&style=b&mode=and&code=0&comProvince=nolimit&order=0&isOpenCorrection=1>, downloaded from internet Feb. 13, 2019 (2 pages).
 Pak Lajpall, Nail Artist Tweezers PL-1, <http://www.laipall.com/proddetail.prod=nail-artists-tweezers-1>, downloaded from internet Feb. 13, 2019 (1 page).
 Buzludzha Monument, Gueorguy Stoilov circa 1980, justanotherbackpacker.com, published by blogger Rich on Apr. 29, 2014 © 2019, online, site visited Aug. 27, 2019. Downloaded from

(56)

References Cited

OTHER PUBLICATIONS

Internet, URL: <http://www.justanotherbackpacker.com/buzludzha-monument-bulgaria-ufo/> (Year: 2014).

Cruiser Portable Speaker, NYNE, published at thegamerwithkids.com, posted by Sam Versionone on Apr. 6, 2015 © not listed, online, cite visited Jun. 20, 2018. Available from Internet. URL: <https://thegamerwithkids.com/2015/04/06/nyne-cruiser-review-a-wireless-speaker-for-your-bycicle/> (Year: 2015).

Eyelash Tweezers—FEITA Precision Eyelash Extension Tweezers Set—Professional Straight & Curved Pointed Very Fine Tip Tweezers for Lash Extensions—Black—2Pcs, amazon.com/Eyelash-Tweezers-Precision-Extension-Professional/dp/B01I2KSUDS.

“Eyelashes Clip—2 Pieces False Eyelashes Applicator Tool Eyelash Extension Tweezers Remover Clip Nipperamazon.co.uk/Eyelashes-Clip-Applicator-Extension-Tweezers/dp/B07PK6VBVW”.

How to Apply Lashing using Sephora Bull Eye Lash Applicator, Nov. 14, 2012 youtube video, <https://www.youtube.com/watch?v=yYwcYzXJX4M>.

Dream Lashes Curved Volume Tweezer—3 Minute Test, <https://www.youtube.com/watch?v=cw1qYeEOSD7s>, downloaded from the internet Feb. 13, 2019 (1 page).

“Tweezer and False Eyelash Applicator BY: The Sunday Girl Found online Apr. 13, 2011 <http://www.thesundaygirl.com/2012/11/bourjois-2in-1-tweezers-and-false.html>”.

* cited by examiner

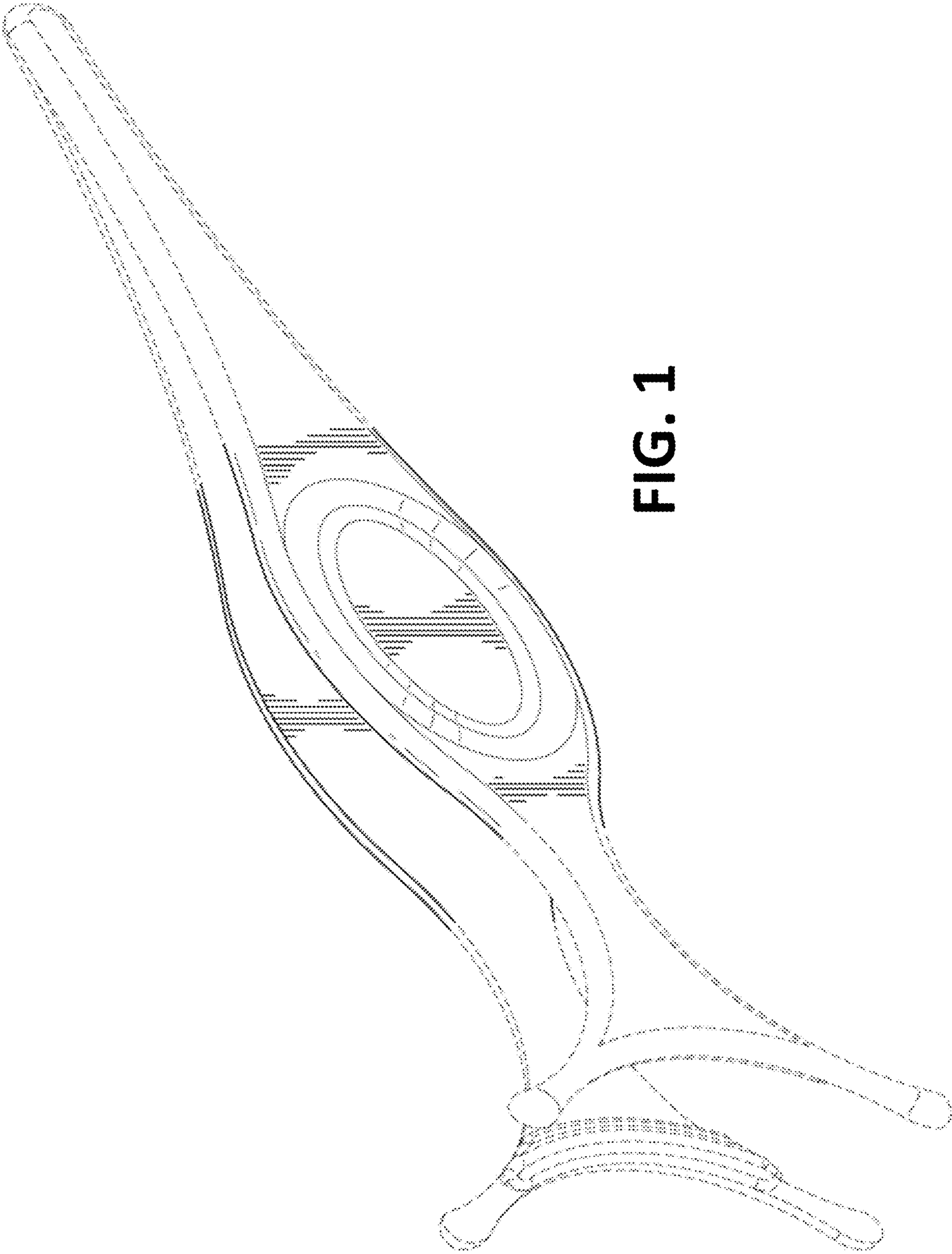


FIG. 1

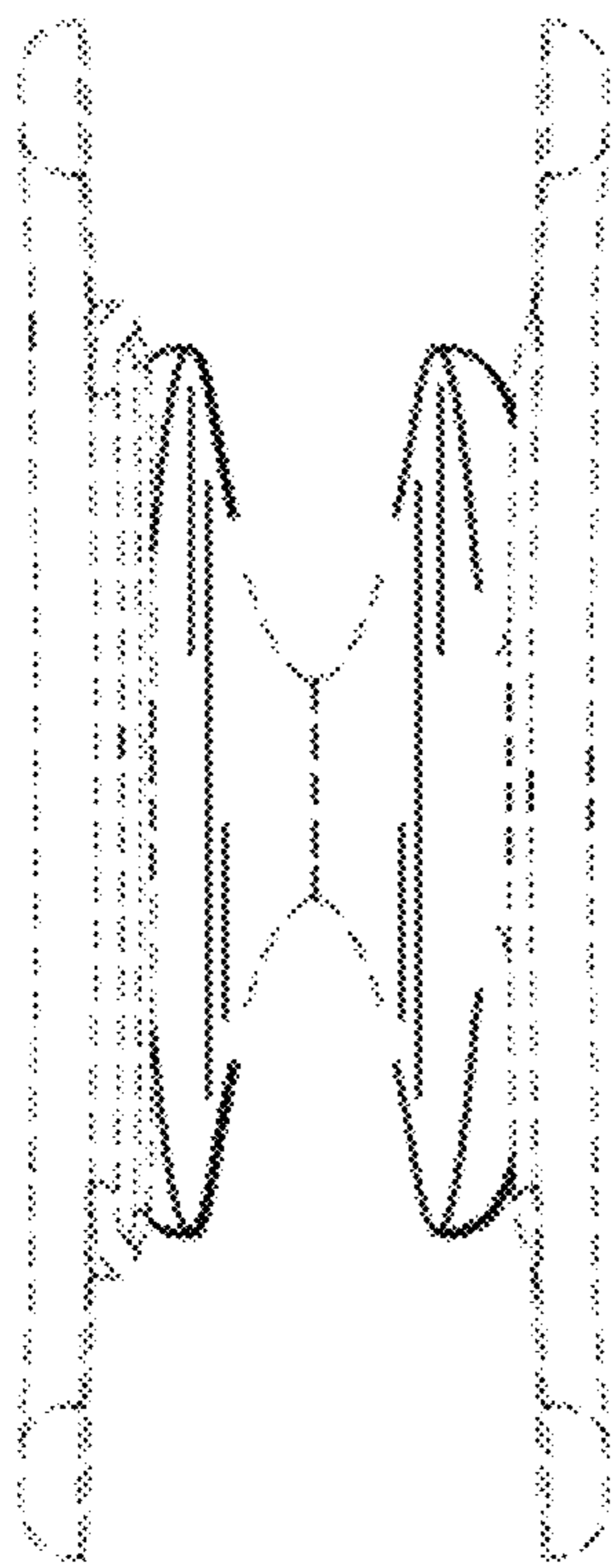


FIG. 2

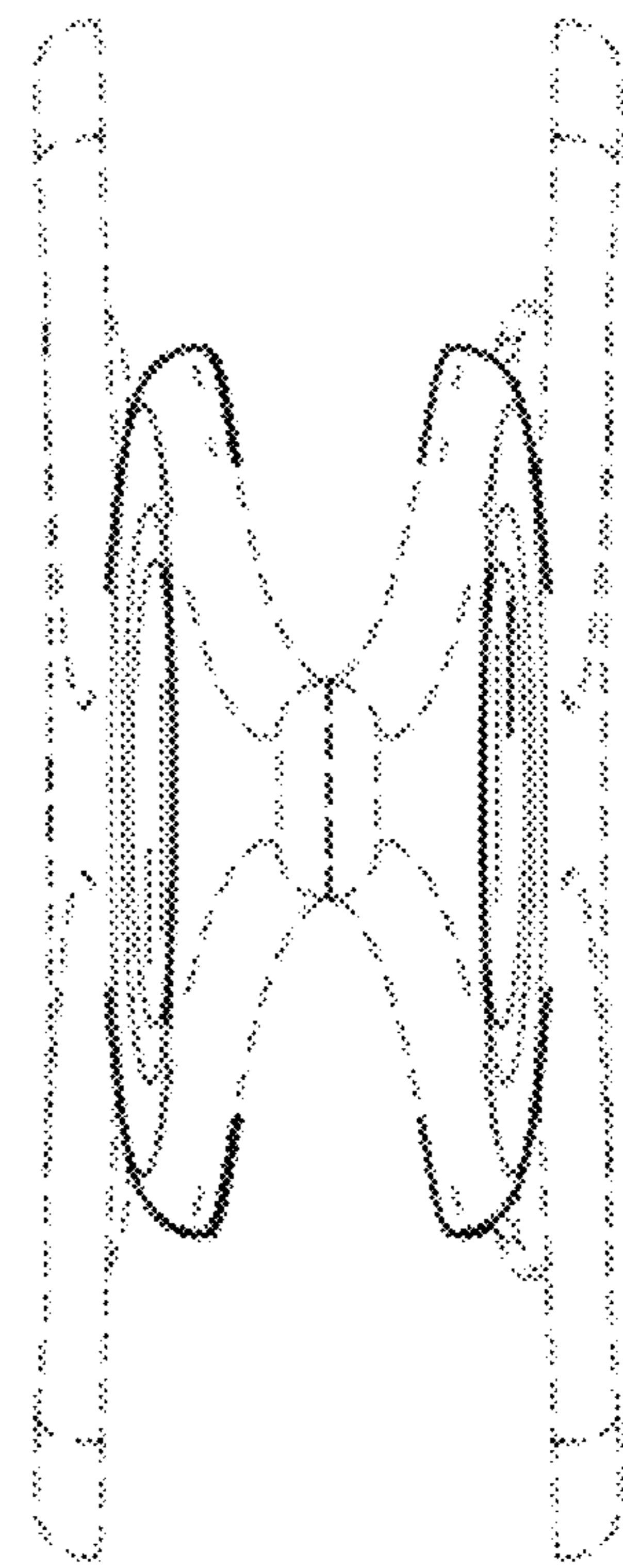


FIG. 3

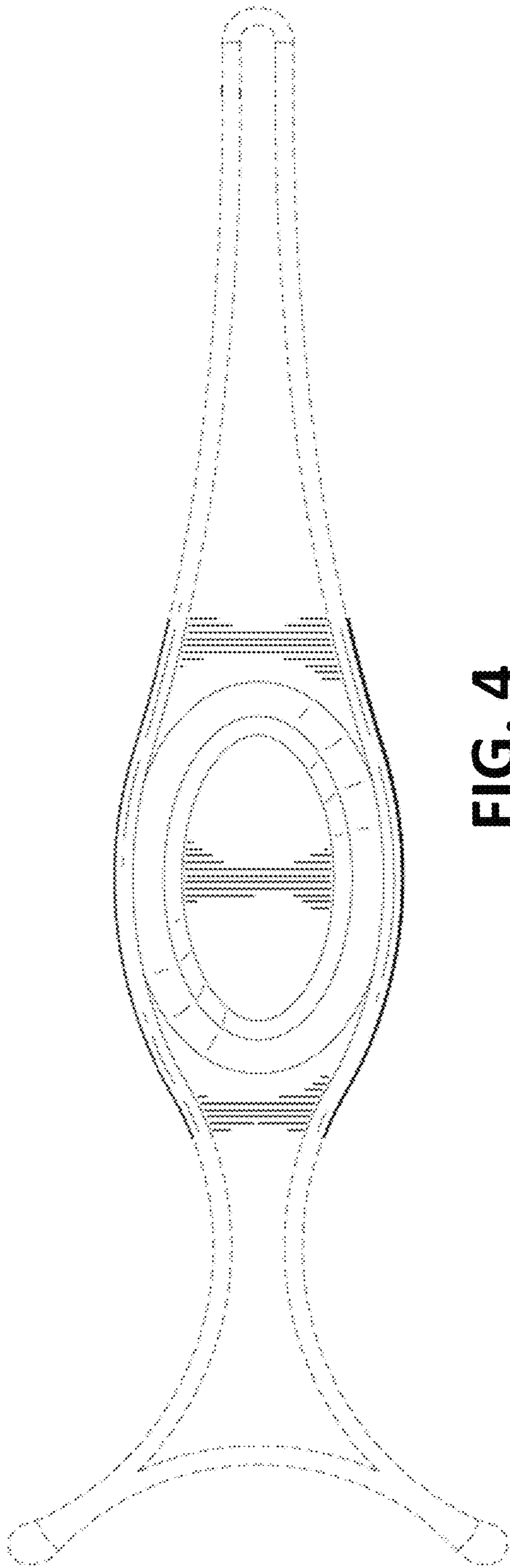


FIG. 4

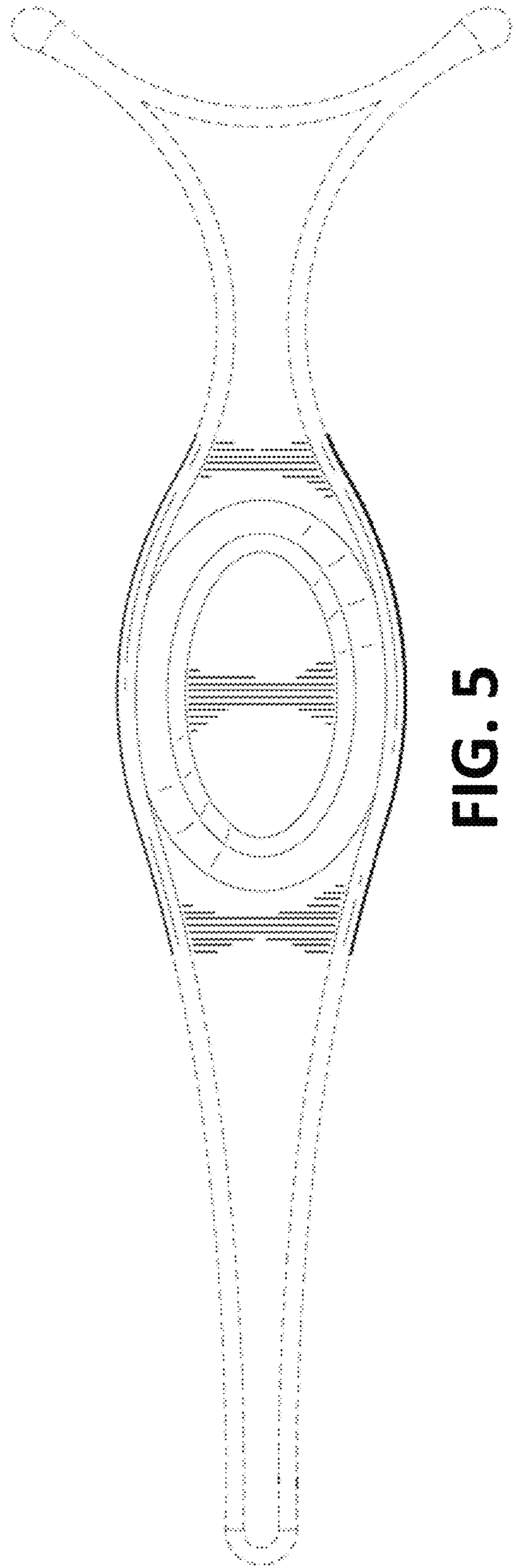


FIG. 5

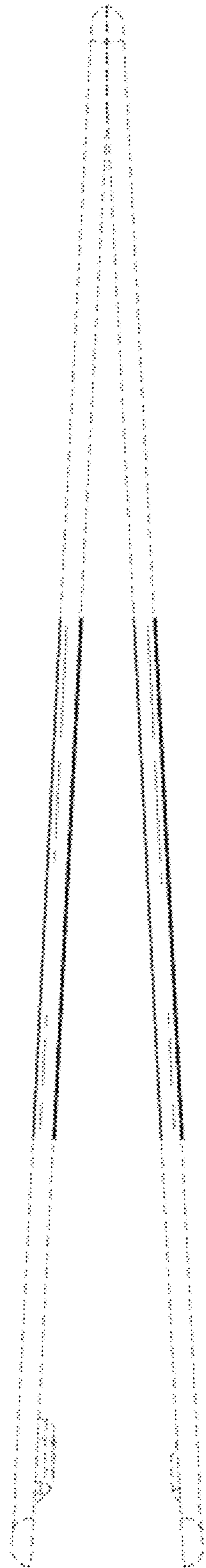


FIG. 6

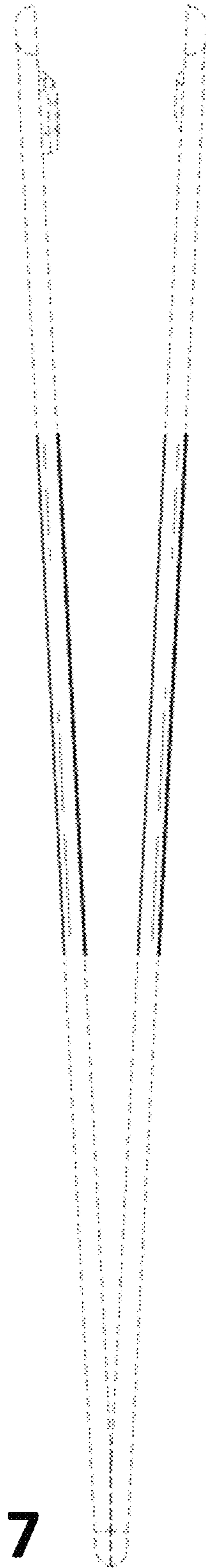


FIG. 7

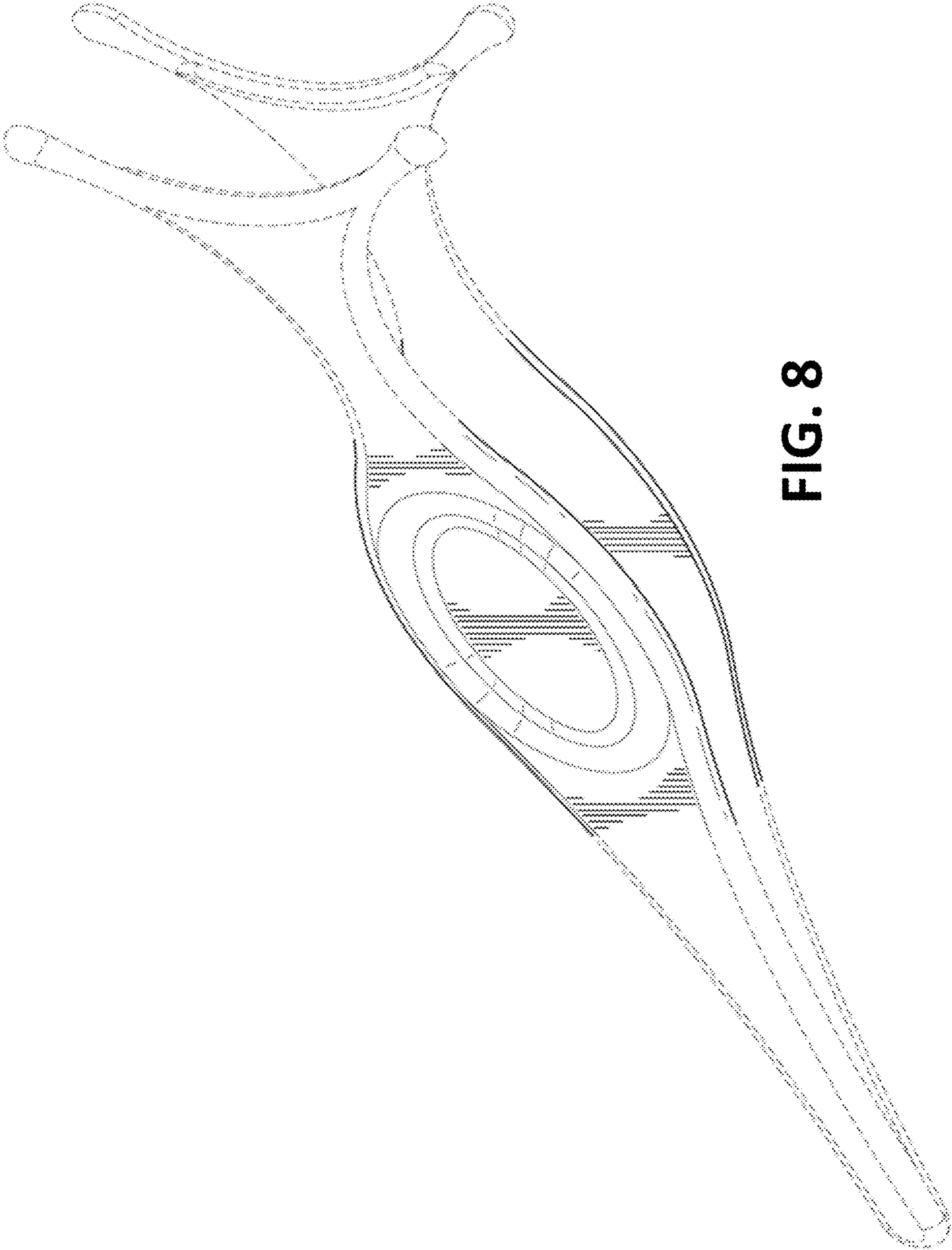


FIG. 8