



US00D955631S

(12) **United States Design Patent** (10) **Patent No.:** **US D955,631 S**
Ou (45) **Date of Patent:** **** Jun. 21, 2022**

(54) **MOUTHPIECE FOR WATER PIPE**
(71) Applicant: **R.Y.L. Inc.**, Commerce, CA (US)
(72) Inventor: **Suk Hwan Ou**, Commerce, CA (US)
(73) Assignee: **R.Y.L. INC.**, Commerce, CA (US)
(**) Term: **15 Years**
(21) Appl. No.: **29/756,778**
(22) Filed: **Oct. 30, 2020**
(51) **LOC (13) Cl.** **27-02**
(52) **U.S. Cl.**
USPC **D27/162**
(58) **Field of Classification Search**
USPC D27/162, 101, 163-167, 170, 172,
D27/167-169, 183, 185-192, 194;
D13/103, 107, 108; D9/502, 537, 539,
D9/545, 551, 454
CPC A24F 7/00; A24F 7/02; A24F 7/04; A24F
47/00; A24F 47/004; A24F 47/006; A24F
47/008; A24F 1/30; A61M 15/00; A61M
15/06
See application file for complete search history.

(56) **References Cited**
U.S. PATENT DOCUMENTS
D466,814 S * 12/2002 Hurlburt D9/504
D724,265 S * 3/2015 Alima D27/167
D756,779 S * 5/2016 Kang D9/454
D759,296 S * 6/2016 Abroff D27/101
D799,747 S * 10/2017 Champion D27/169

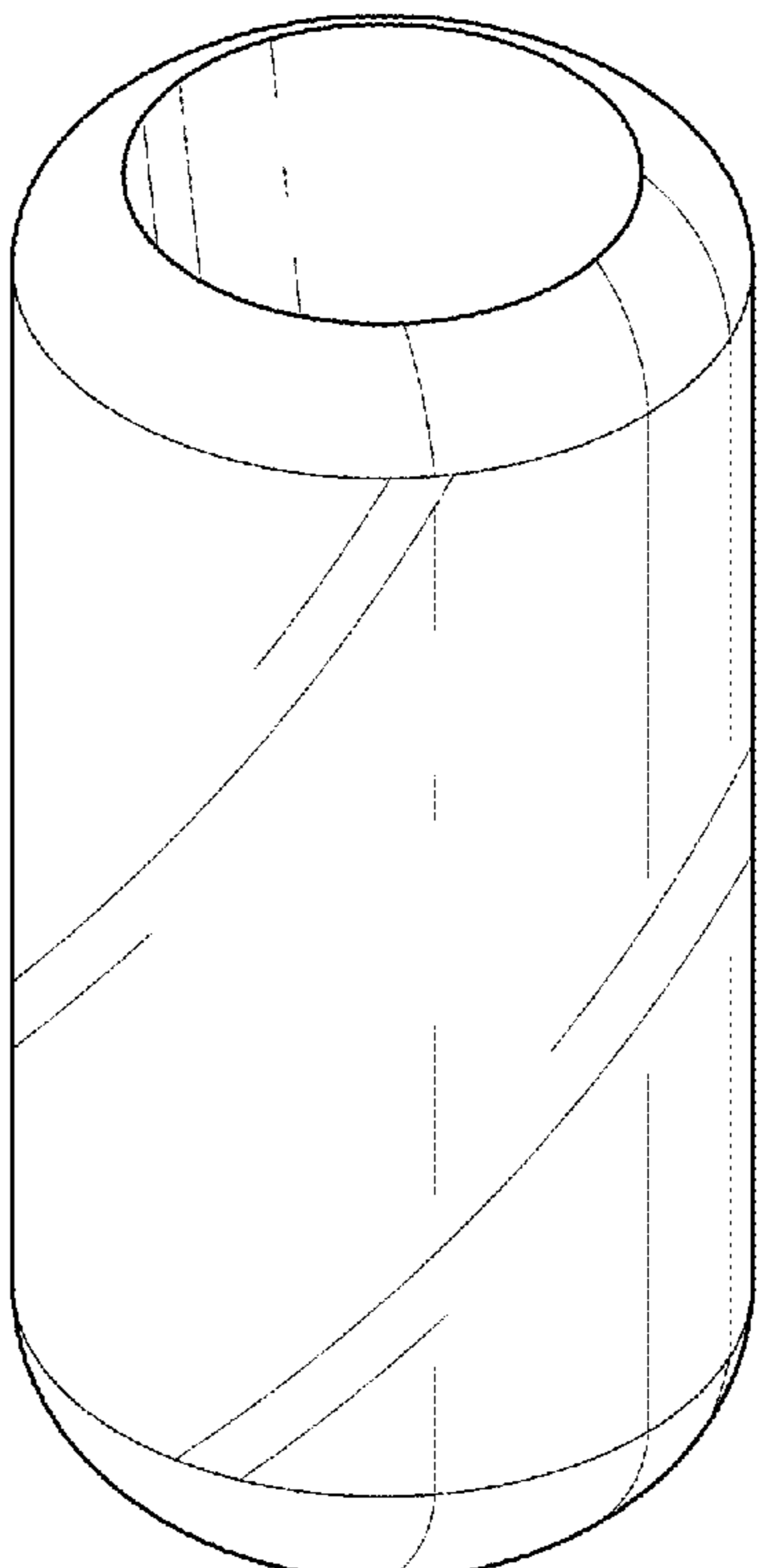
D809,705 S * 2/2018 Mironov D27/101
D823,537 S * 7/2018 Beaver D27/191
D829,369 S * 9/2018 Stone D27/101
D861,979 S * 10/2019 Sibley D27/183
D862,793 S * 10/2019 Chang D27/162
D862,795 S * 10/2019 Caldas D27/194
D871,844 S * 1/2020 Adams, Jr. D7/510
D897,840 S * 10/2020 Ou D9/434
D912,798 S * 3/2021 Oura D23/366
D914,280 S * 3/2021 Jones D27/162
D921,976 S * 6/2021 Simpson D27/164
D926,404 S * 7/2021 Luo D32/23
D927,304 S * 8/2021 Lingle D9/454

* cited by examiner
Primary Examiner — Rebecca Tsehaye
(74) *Attorney, Agent, or Firm* — Womble Bond Dickinson
(US) LLP

(57) **CLAIM**
The ornamental design for a mouthpiece for water pipe, as
shown and described.

DESCRIPTION
FIG. 1 is a top, front and right side perspective view of the
design;
FIG. 2 is a bottom, rear and left side perspective thereof;
FIG. 3 is a front elevation thereof;
FIG. 4 is a rear elevation thereof;
FIG. 5 is right side elevation thereof;
FIG. 6 is a left side elevation thereof;
FIG. 7 is a top plan view thereof; and,
FIG. 8 is a bottom plan view thereof.

1 Claim, 4 Drawing Sheets



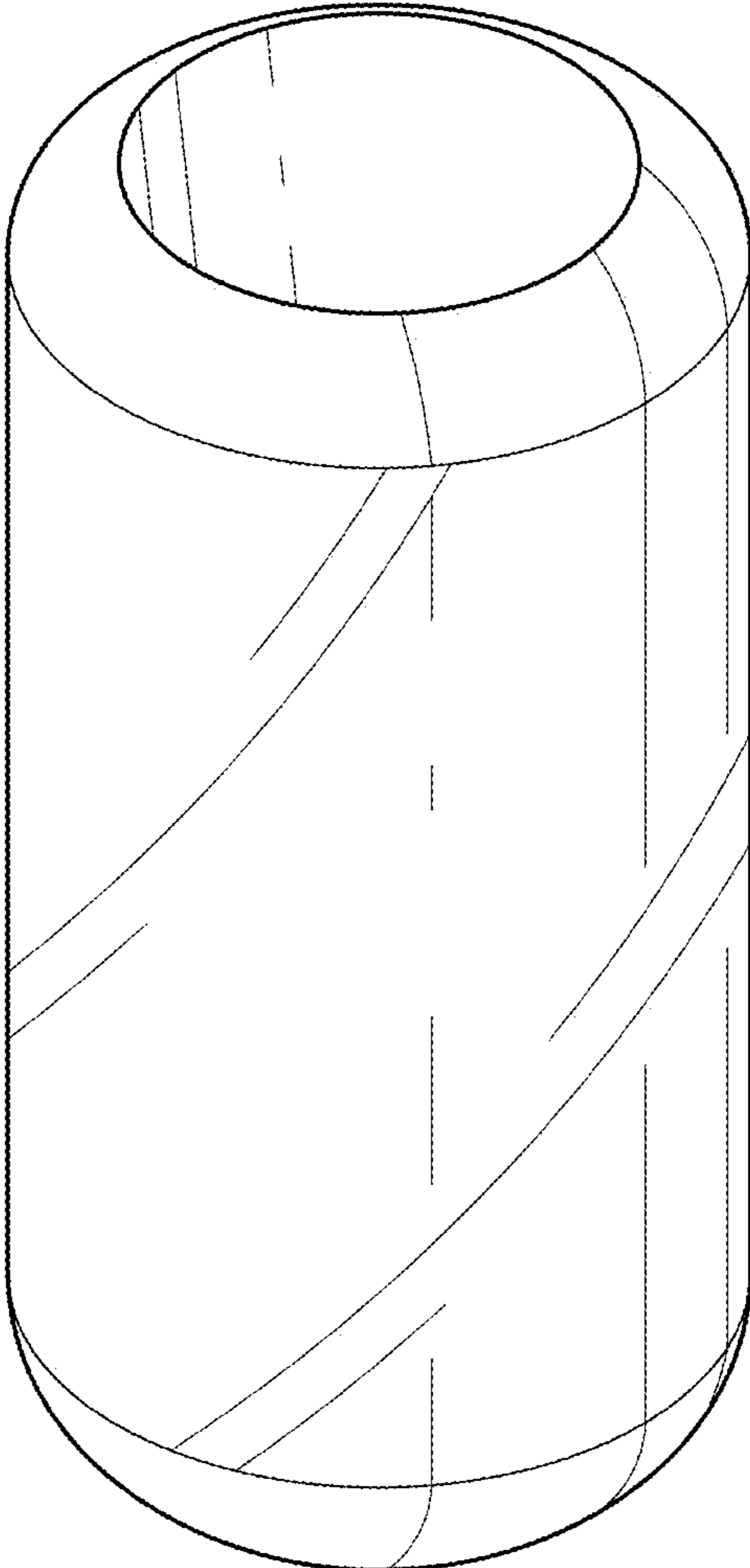


FIG. 1

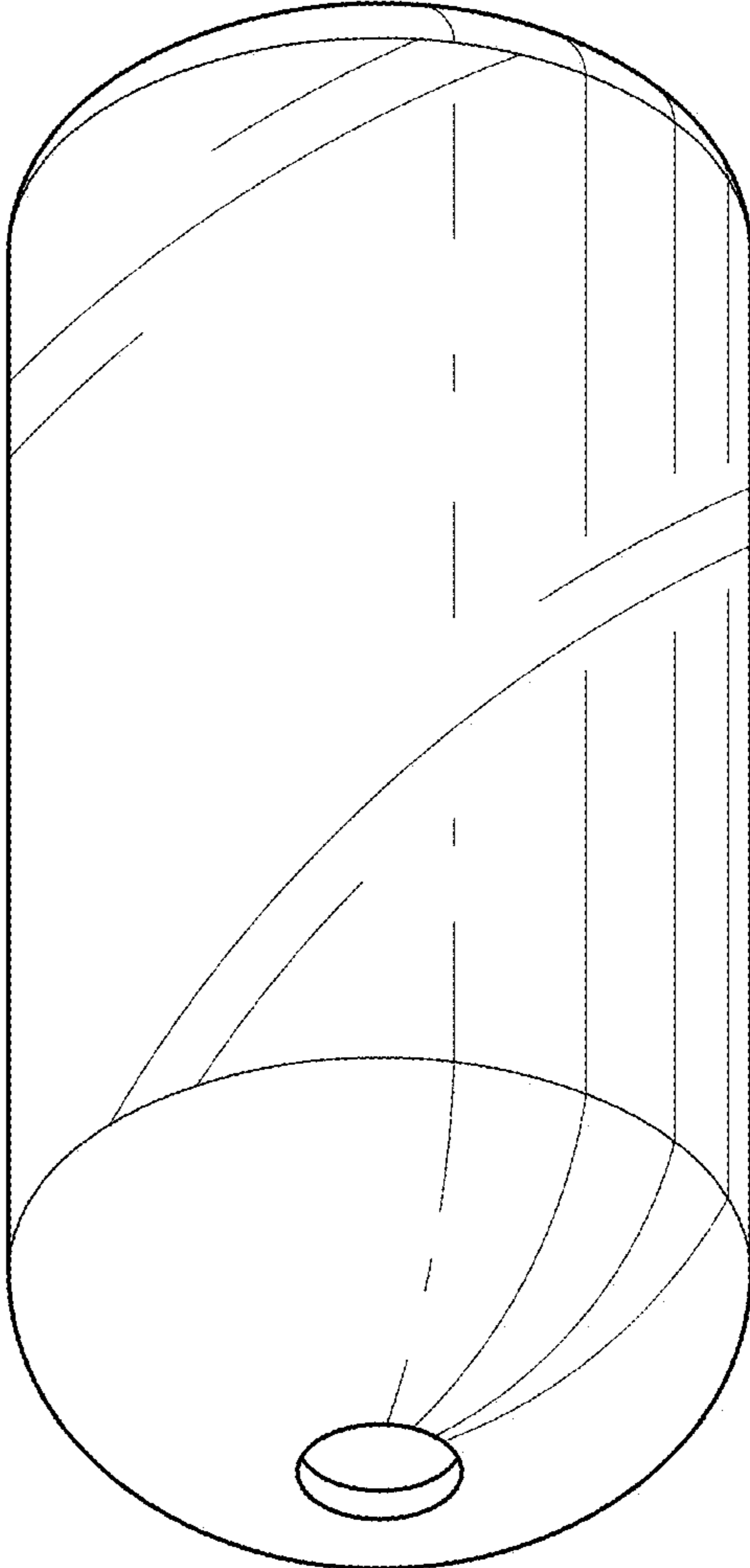


FIG. 2

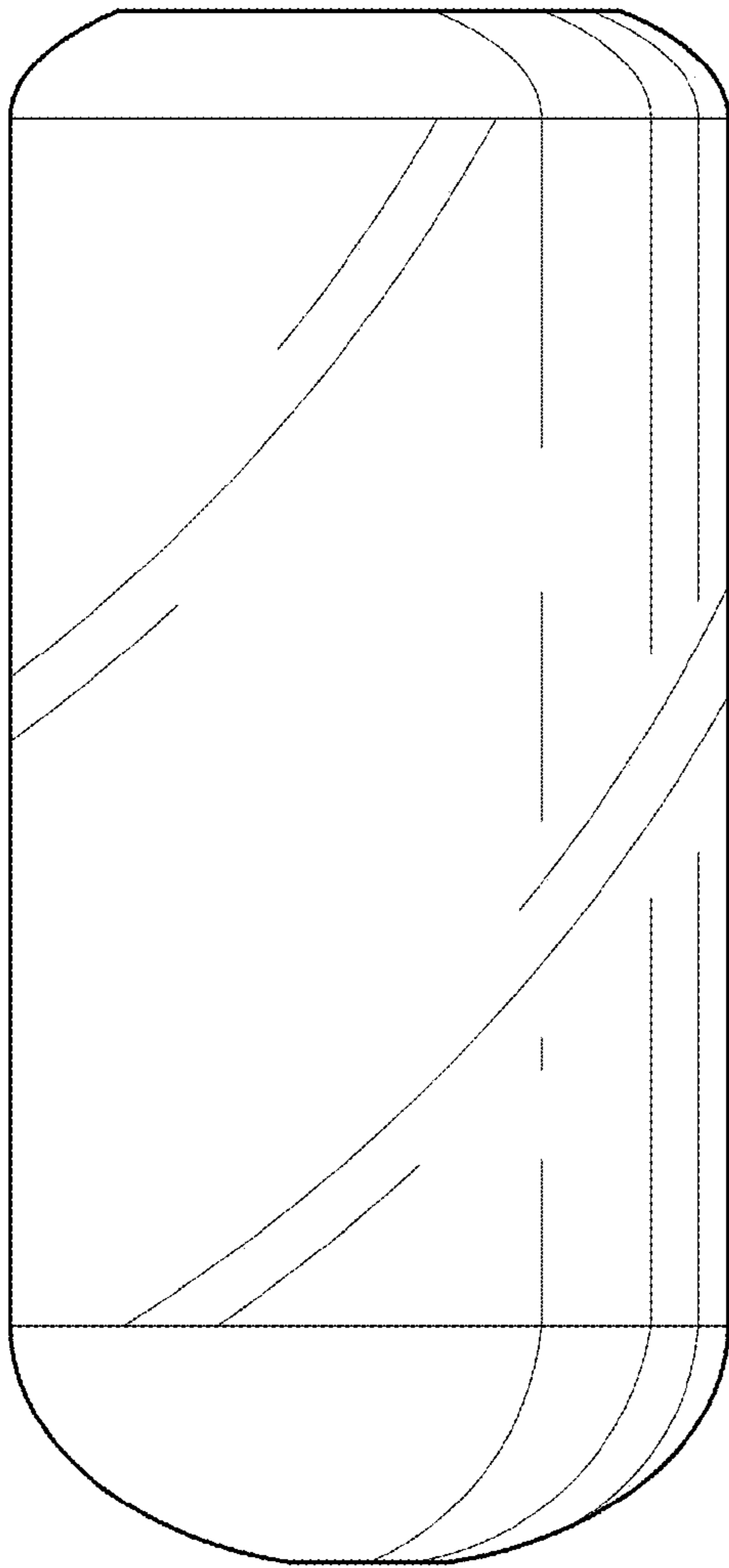


FIG. 3

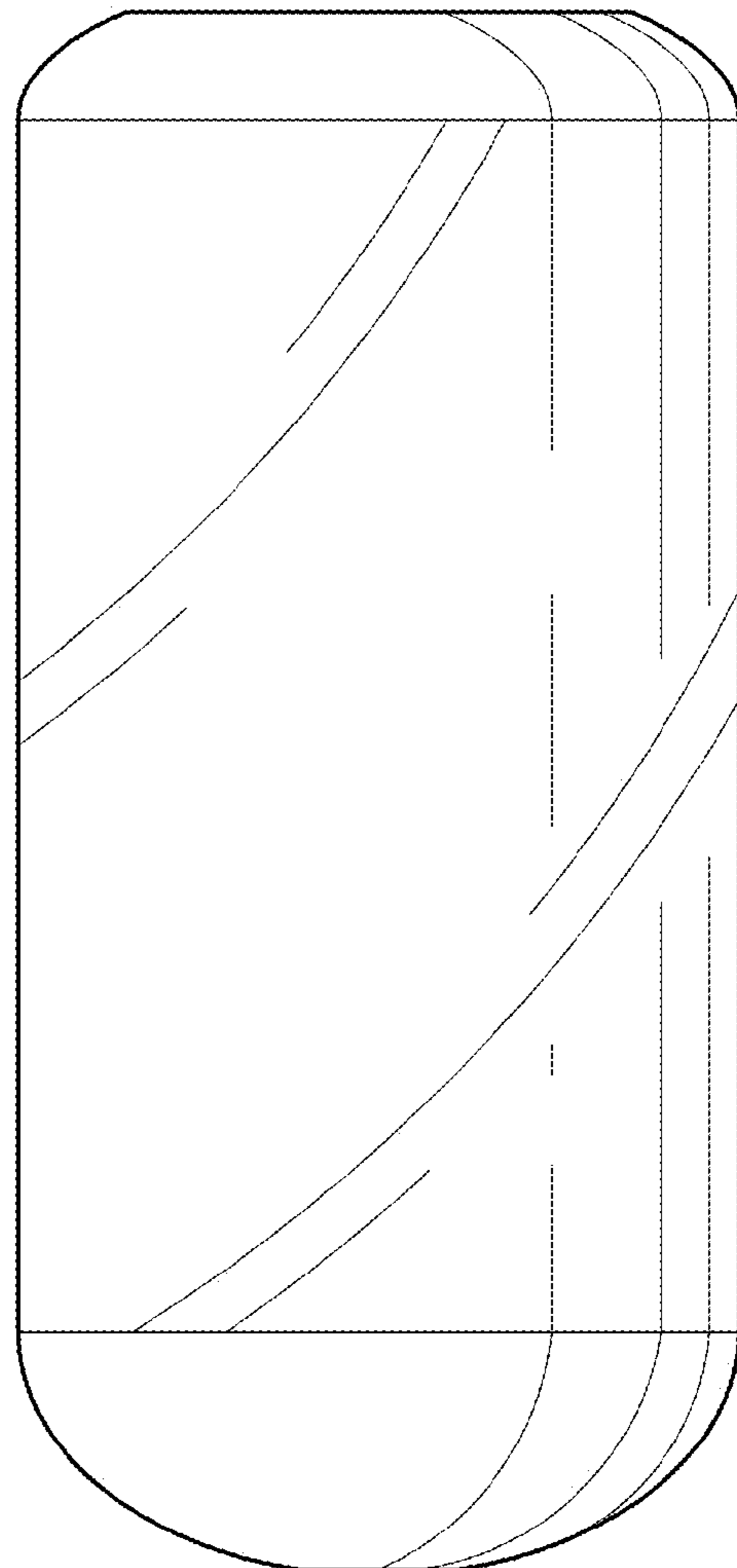


FIG. 4

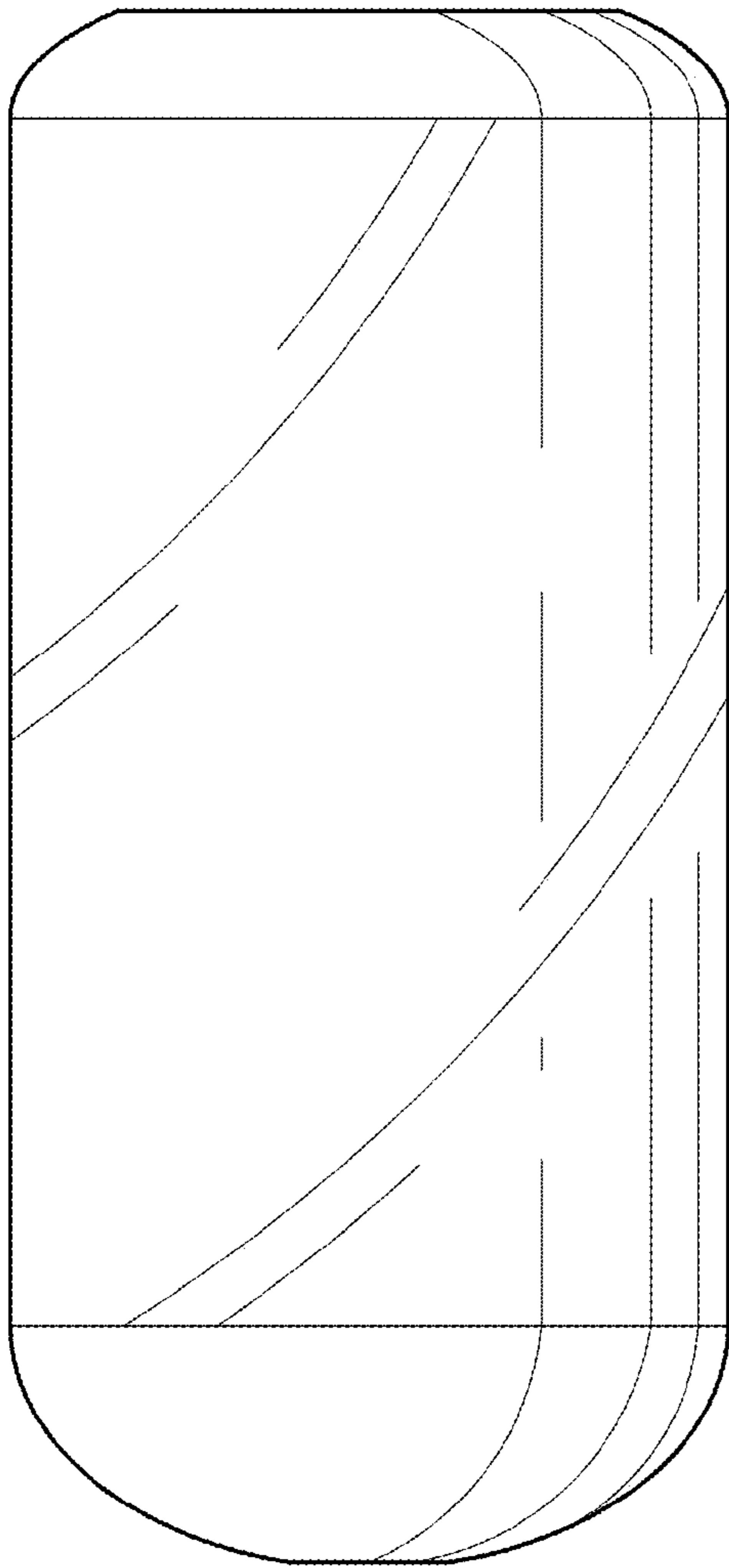


FIG. 5

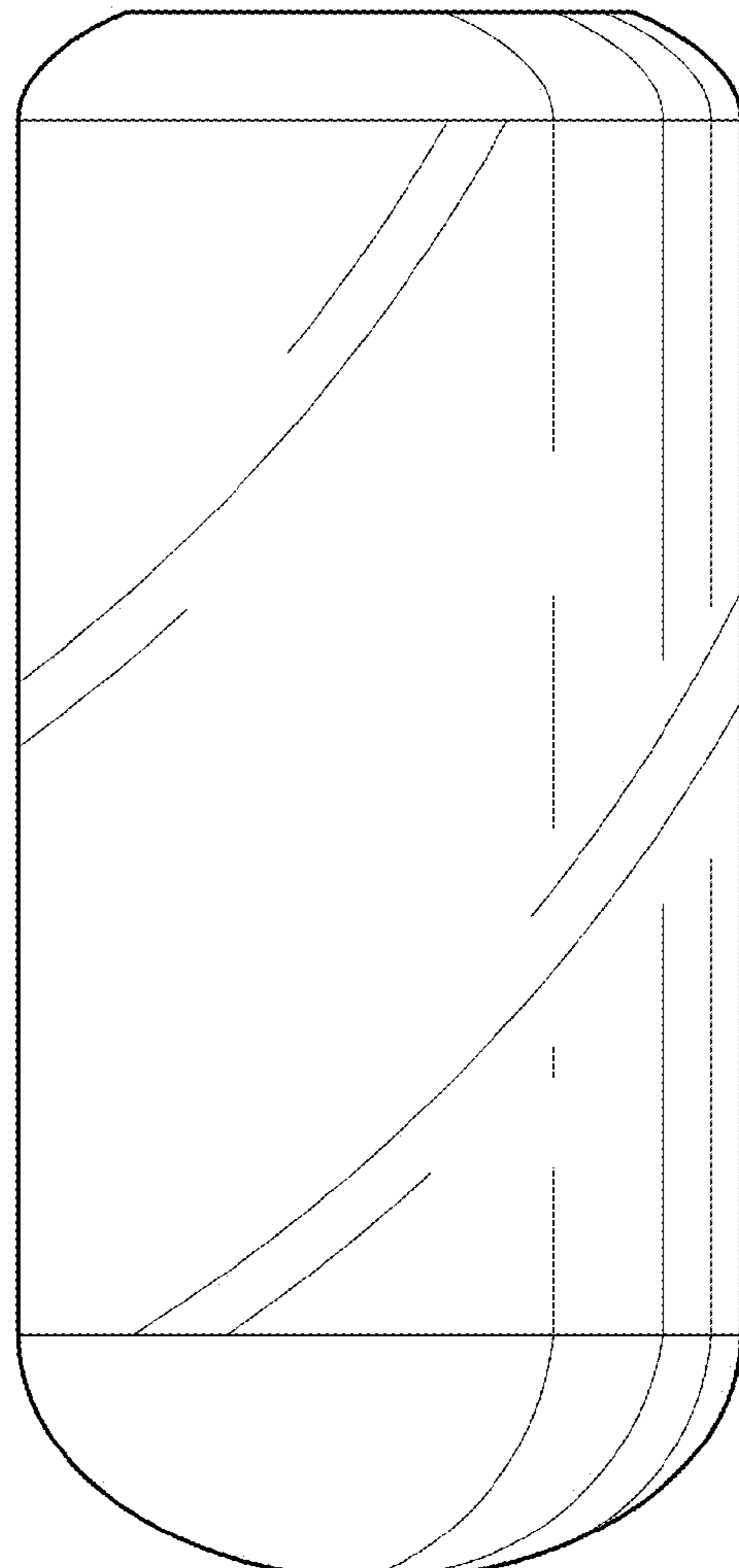


FIG. 6

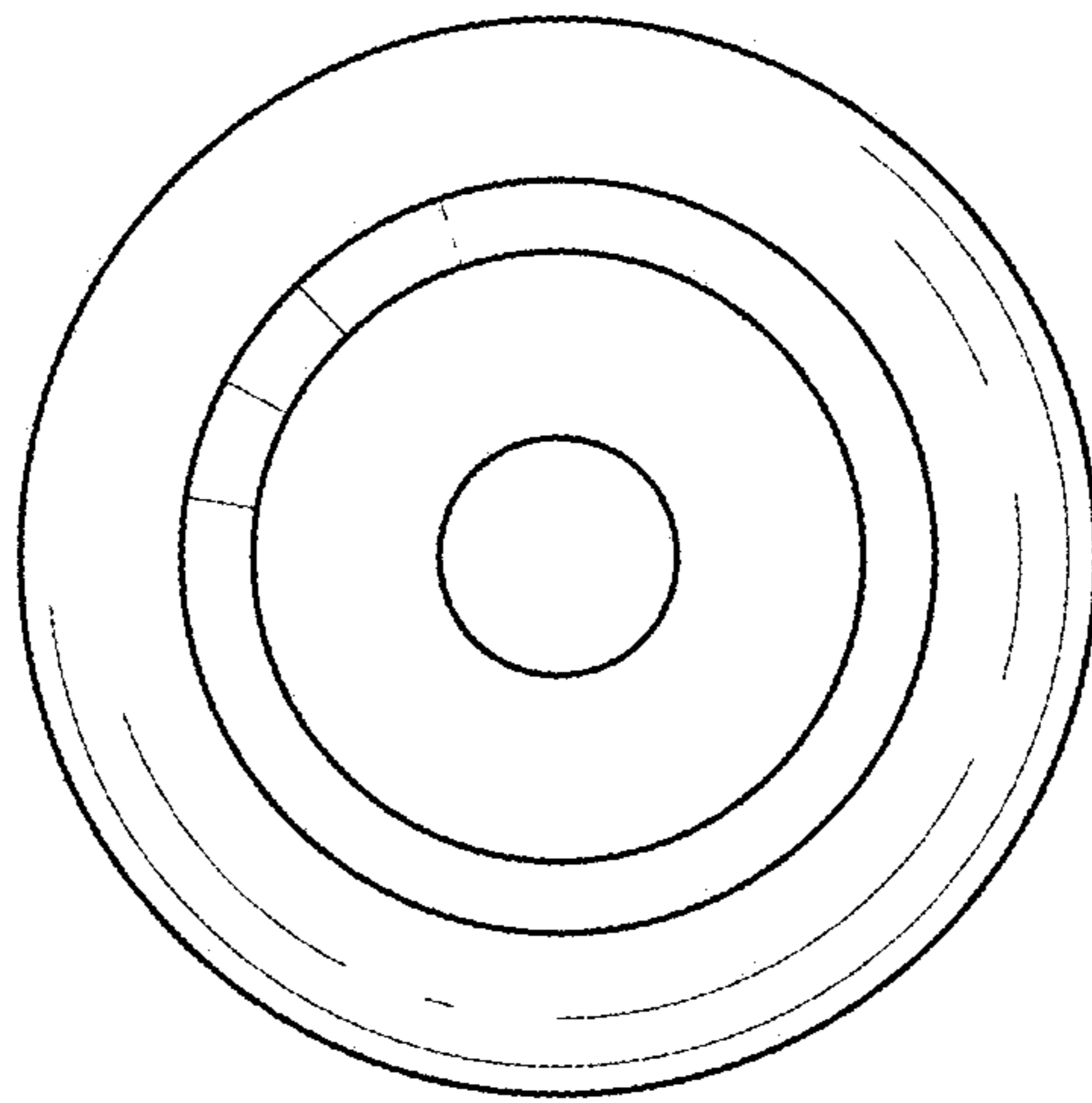


FIG. 7

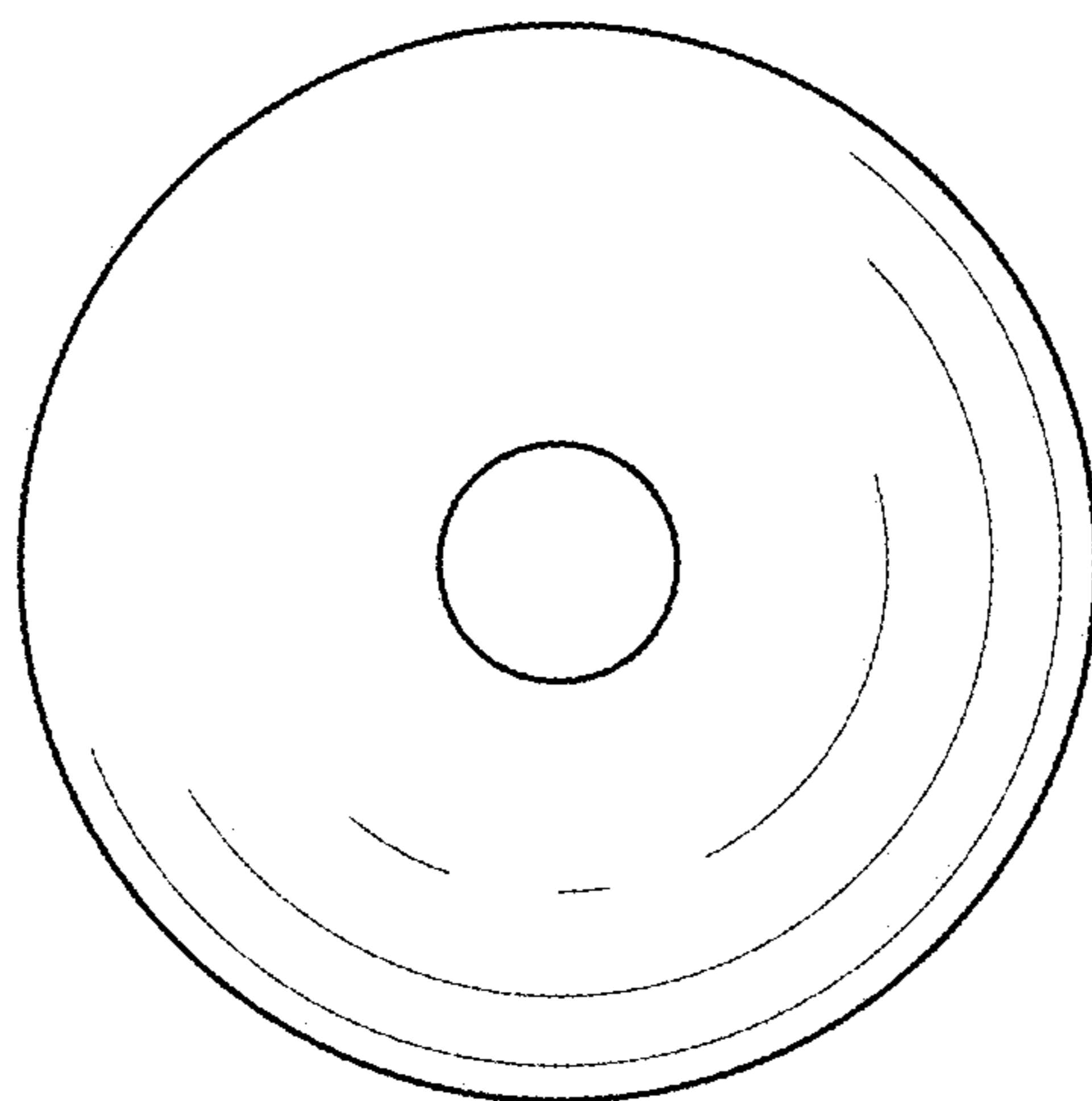


FIG. 8