



US00D955630S

(12) **United States Design Patent** (10) **Patent No.:** **US D955,630 S**
Fischer (45) **Date of Patent:** **** Jun. 21, 2022**

(54) **PIPE WITH INTEGRATED LIGHTER HOLDER**

(71) Applicant: **Brett William Fischer**, Lee's Summit, MO (US)

(72) Inventor: **Brett William Fischer**, Lee's Summit, MO (US)

(**) Term: **15 Years**

(21) Appl. No.: **29/693,120**

(22) Filed: **May 31, 2019**

(51) **LOC (13) Cl.** **27-05**

(52) **U.S. Cl.**
USPC **D27/144**

(58) **Field of Classification Search**
USPC D27/144, 139, 142, 143, 161, 172, D27/180-183, 186, 187, 194
CPC A24F 9/14; A24F 9/16; A24F 9/00; A24F 13/00; A24F 47/00; A24B 7/00
See application file for complete search history.

(56) **References Cited**

U.S. PATENT DOCUMENTS

D493,012 S * 7/2004 Rich D27/183
D550,898 S * 9/2007 Burkholder D27/183
D744,745 S * 12/2015 Fischer D3/208
D782,892 S * 4/2017 Fischer D8/99

D790,128 S * 6/2017 Khoury D27/183
D805,249 S * 12/2017 Casalino D27/183
D812,293 S * 3/2018 Fischer D27/195
D844,238 S * 3/2019 Nellestein D27/183
D844,239 S * 3/2019 Nellestein D27/183
D890,985 S * 7/2020 Attar D27/183
D897,031 S * 9/2020 Fischer D27/144
2008/0315600 A1 * 12/2008 Fischer E04F 21/02
294/3.5

* cited by examiner

Primary Examiner — Rebecca Tsehaye

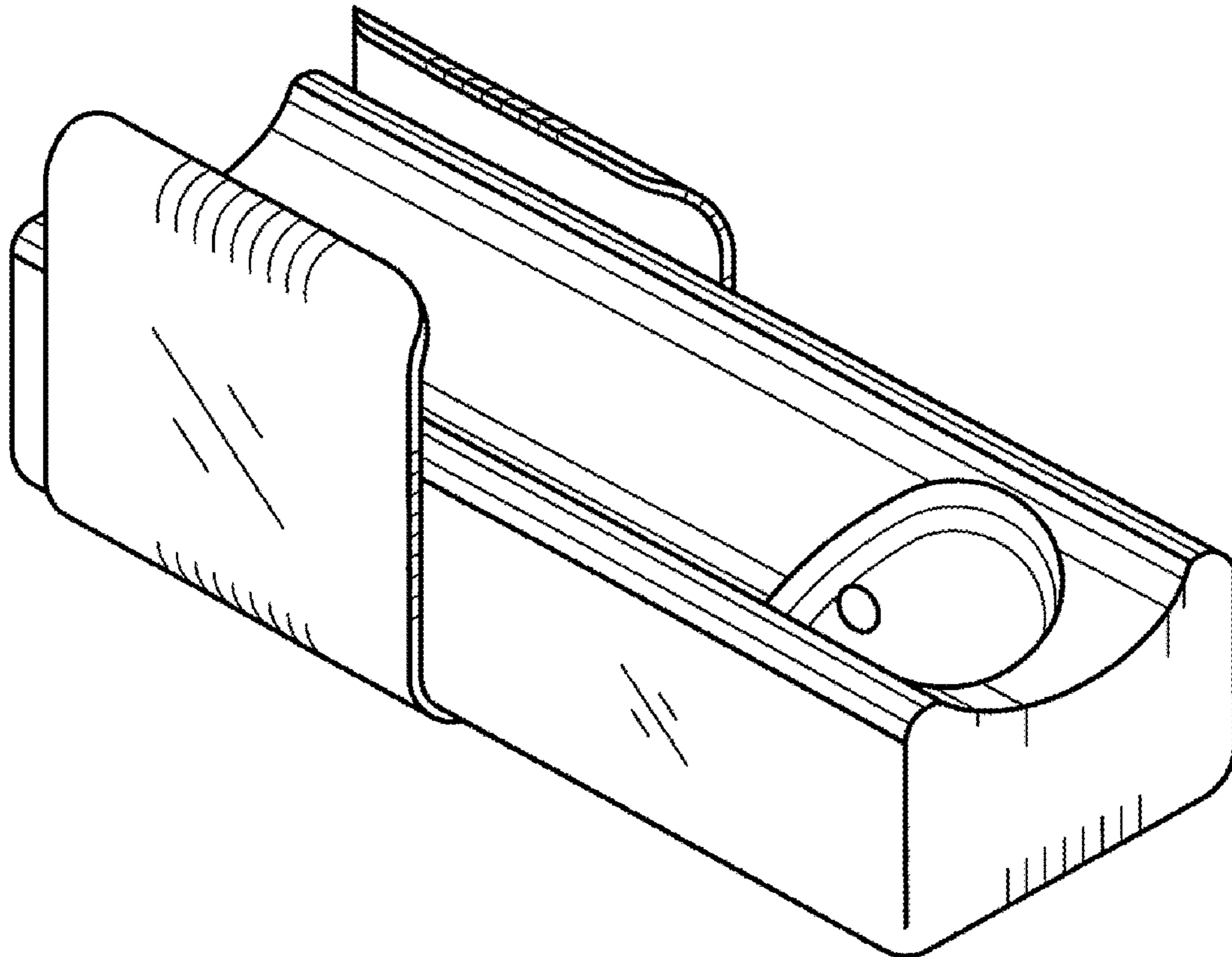
(57) **CLAIM**

The ornamental design for a pipe with integrated lighter holder, as shown and described.

DESCRIPTION

FIG. 1 is a right top perspective view of a pipe with integrated lighter holder;
FIG. 2 is a left top perspective view thereof;
FIG. 3 is a front elevation view thereof,
FIG. 4 is a top plan view thereof;
FIG. 5 is a bottom plan view thereof;
FIG. 6 is a right elevation view thereof;
FIG. 7 is a left elevation view thereof; and,
FIG. 8 is a right top perspective view with lighter inserted into pipe with integrated lighter holder thereof.
The broken lines in FIGS. 3-8 are directed to environment and form no part of the claimed design while all other broken lines depict portions of the pipe with integrated lighter holder that form no part of the claimed design.

1 Claim, 3 Drawing Sheets



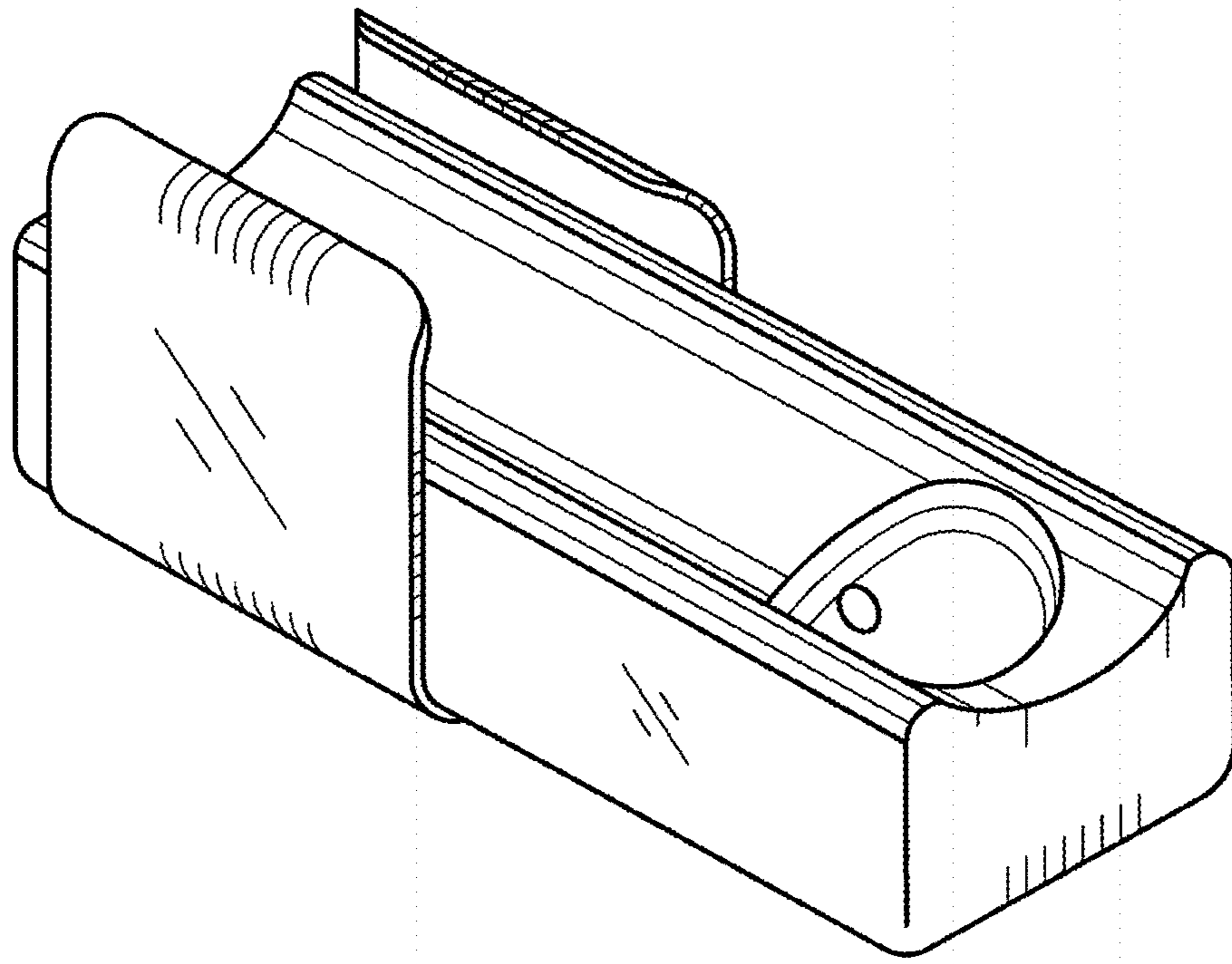


Fig. 1

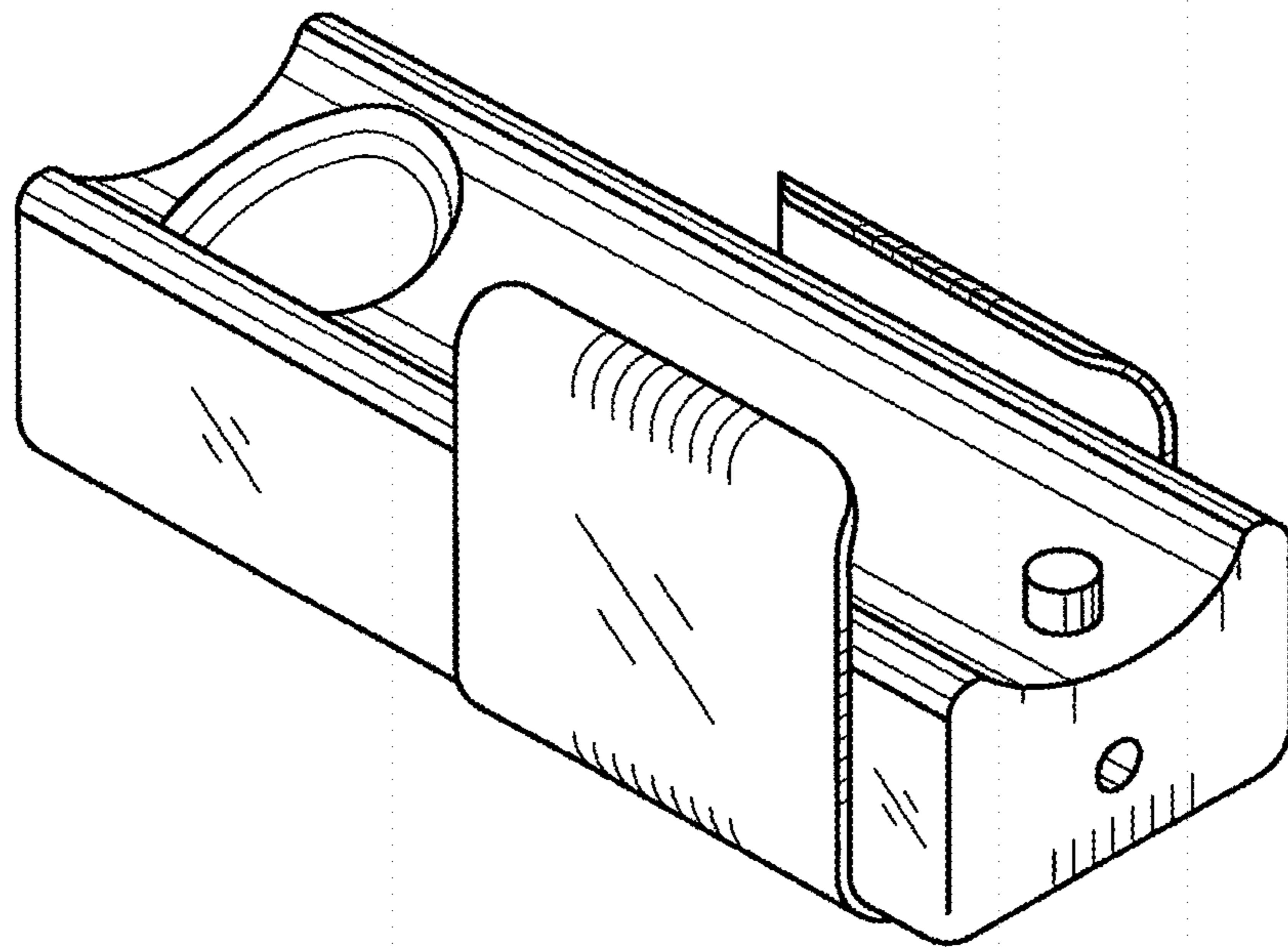


Fig. 2

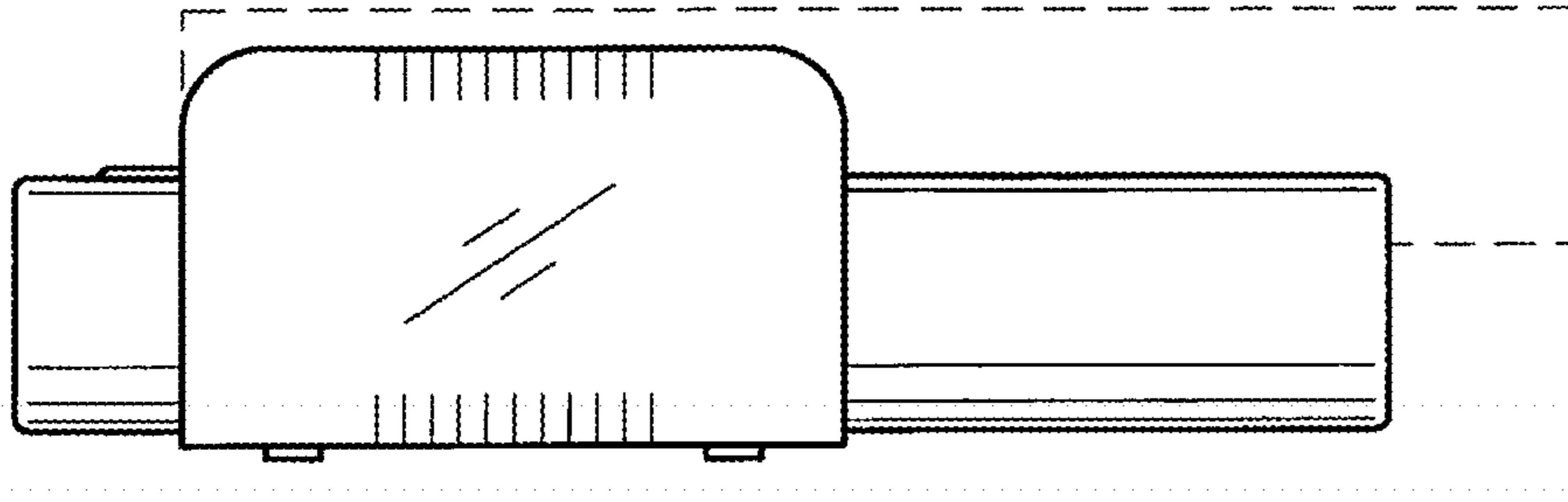


Fig. 3

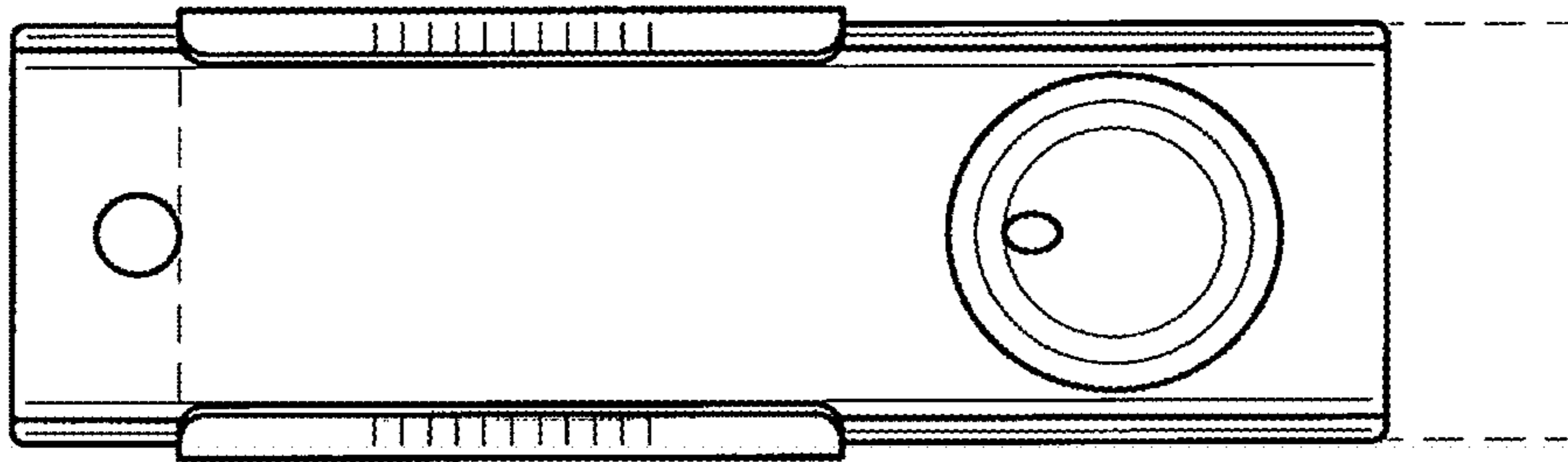


Fig. 4

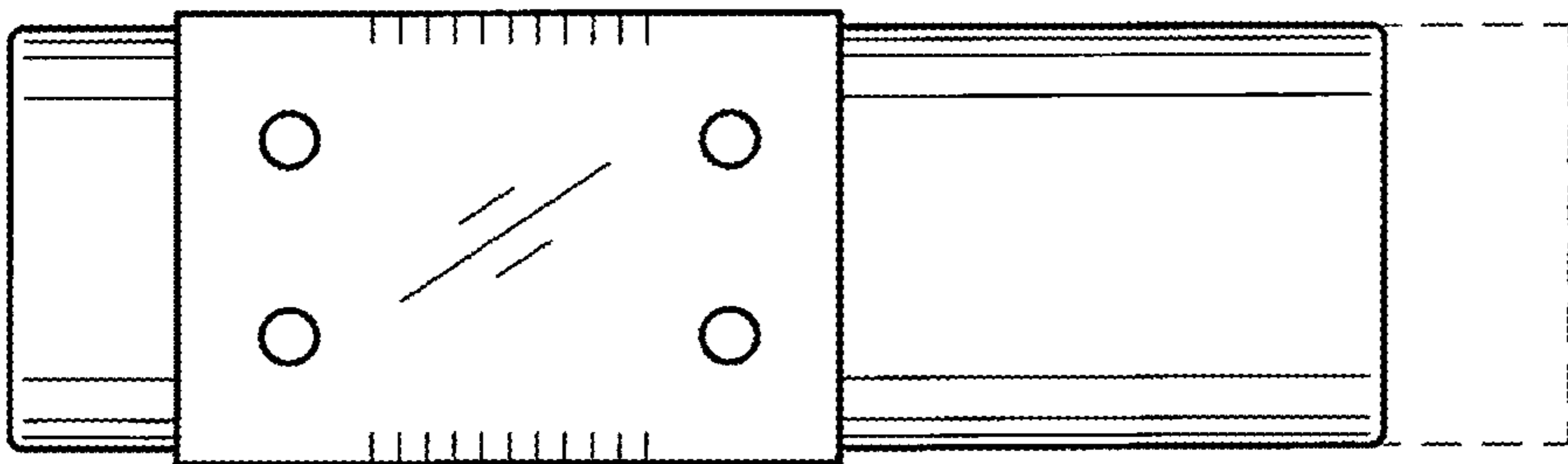


Fig. 5

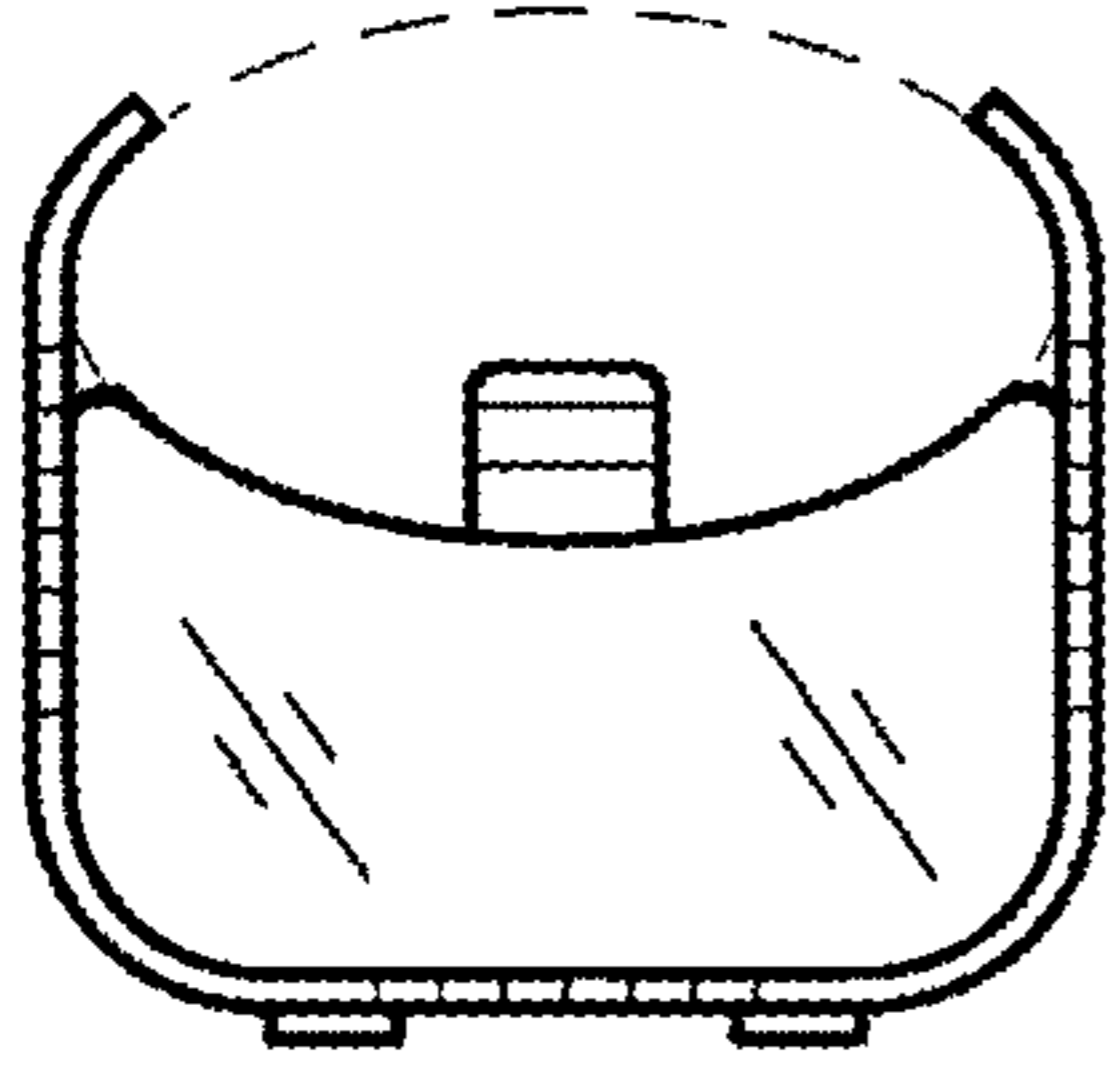


Fig. 6

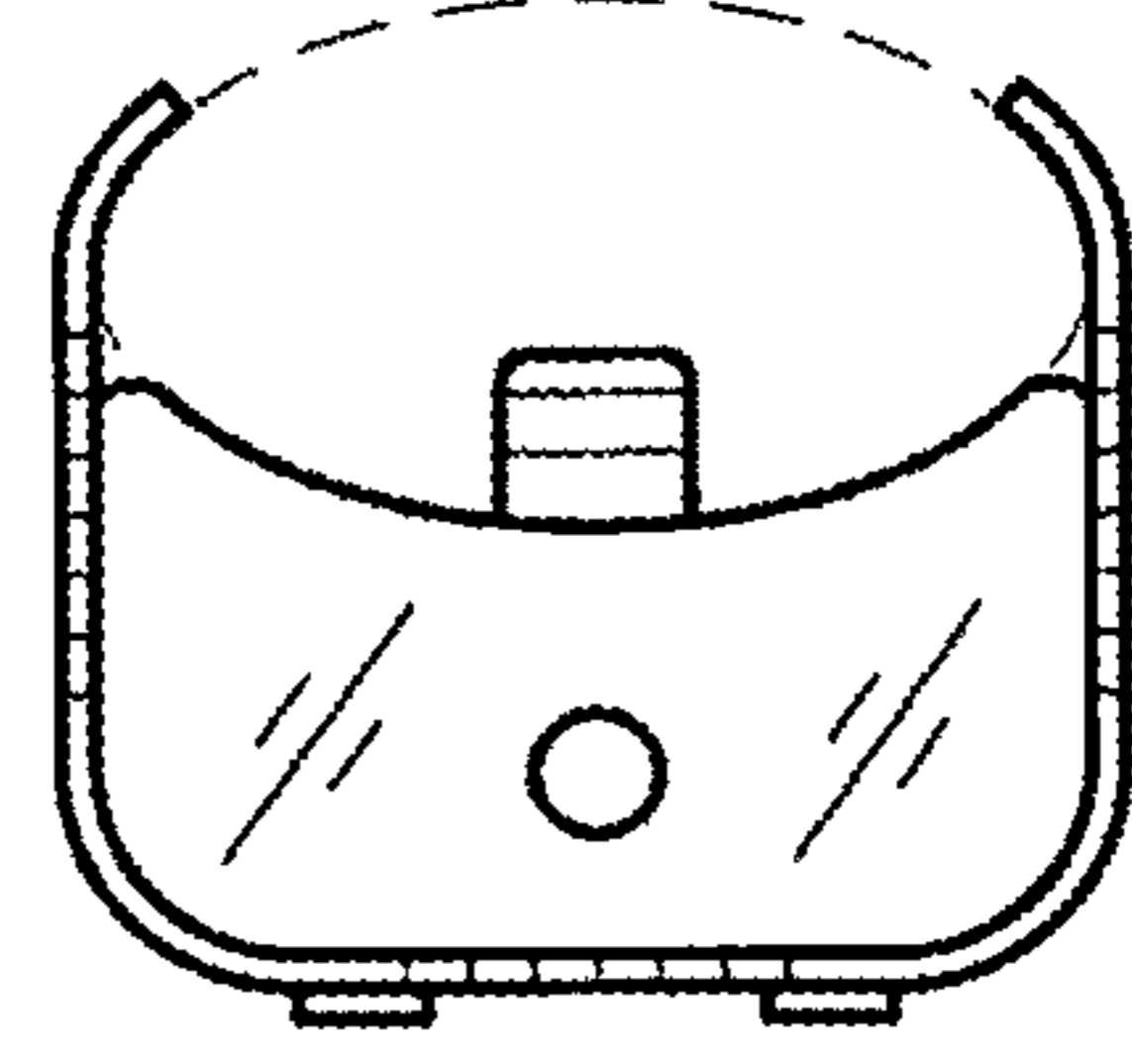


Fig. 7

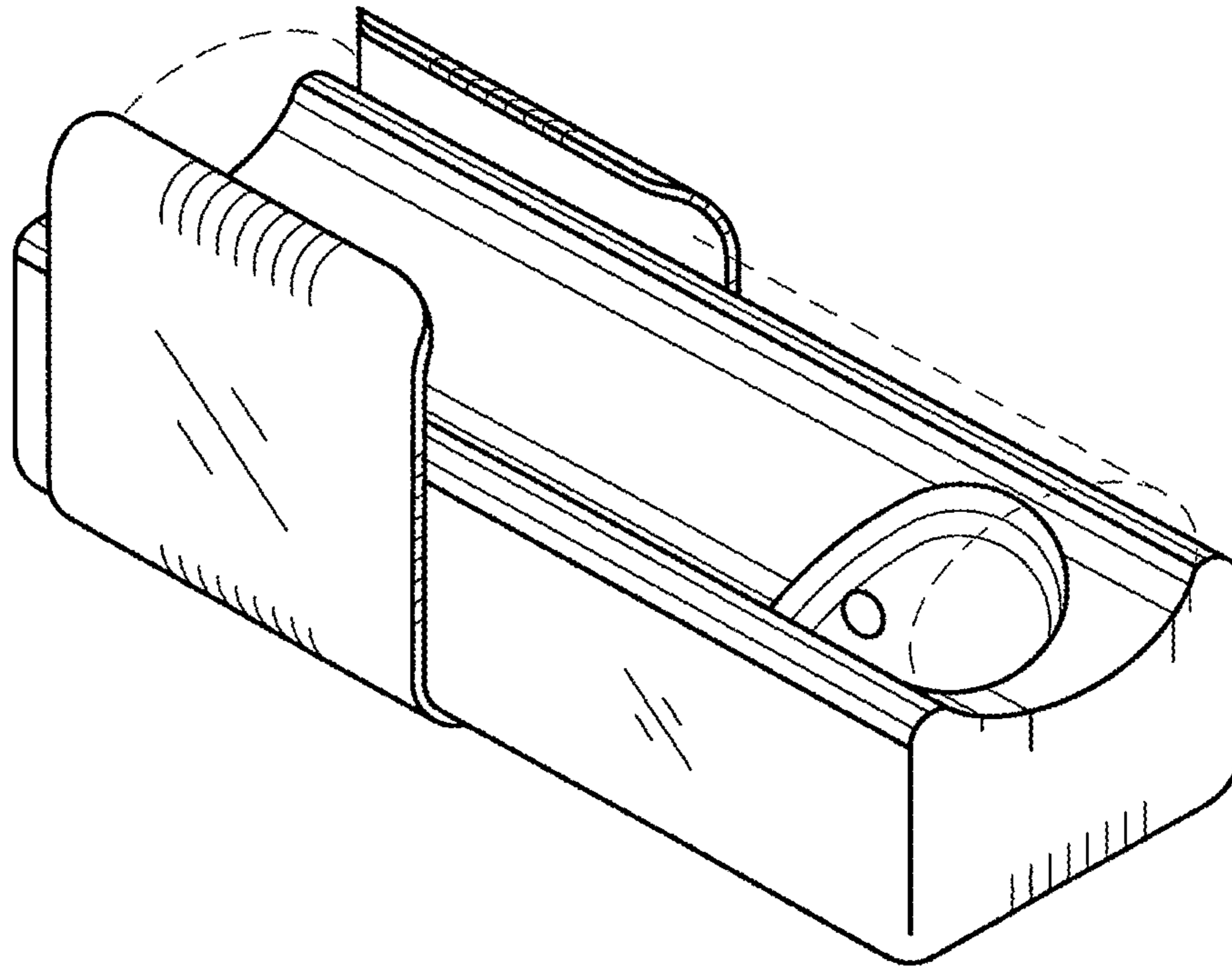


Fig. 8