



US00D955629S

(12) **United States Design Patent**
Tang

(10) **Patent No.:** **US D955,629 S**

(45) **Date of Patent:** **** Jun. 21, 2022**

(54) **COURTYARD LIGHT POLE**
(71) Applicant: **Shanghai Zhutang Trading Co., Ltd.**,
Shanghai (CN)
(72) Inventor: **Wenjie Tang**, Jinhua (CN)
(73) Assignee: **Shanghai Zhutang Trading Co., Ltd.**,
Shanghai (CN)
(**) Term: **15 Years**

6,588,723 B1 * 7/2003 Moran, III A01K 39/00
248/156
D517,343 S * 3/2006 Hayes D6/403
D637,833 S * 5/2011 Russell D6/405
D871,863 S * 1/2020 Zitter D8/1
D926,353 S * 7/2021 Sherman D26/138
11,168,833 B2 * 11/2021 Lawson A45F 3/44
2007/0084975 A1 * 4/2007 Steiger A47G 7/042
248/27.8
2007/0101645 A1 * 5/2007 Christopher F21V 33/0028
47/67
2021/0080052 A1 * 3/2021 Lawson F16M 13/00

(21) Appl. No.: **29/751,528**
(22) Filed: **Sep. 22, 2020**
(51) **LOC (13) Cl.** **26-05**
(52) **U.S. Cl.**
USPC **D26/138**
(58) **Field of Classification Search**
USPC D8/1; D26/138, 142; D6/403, 404, 405
CPC ... F21V 19/00; F21V 17/04; F21S 4/00; F21S
4/10; F21S 6/00; A47G 7/047; A47G
7/045; A47G 7/044; A47G 7/042
See application file for complete search history.

OTHER PUBLICATIONS

2 Pack Outdoor Holiday String Light Poles with Sheperds hooks,
Available on AMAZON.com Sep. 2, 2021.*

* cited by examiner

Primary Examiner — Philip S Hyder

(57) **CLAIM**

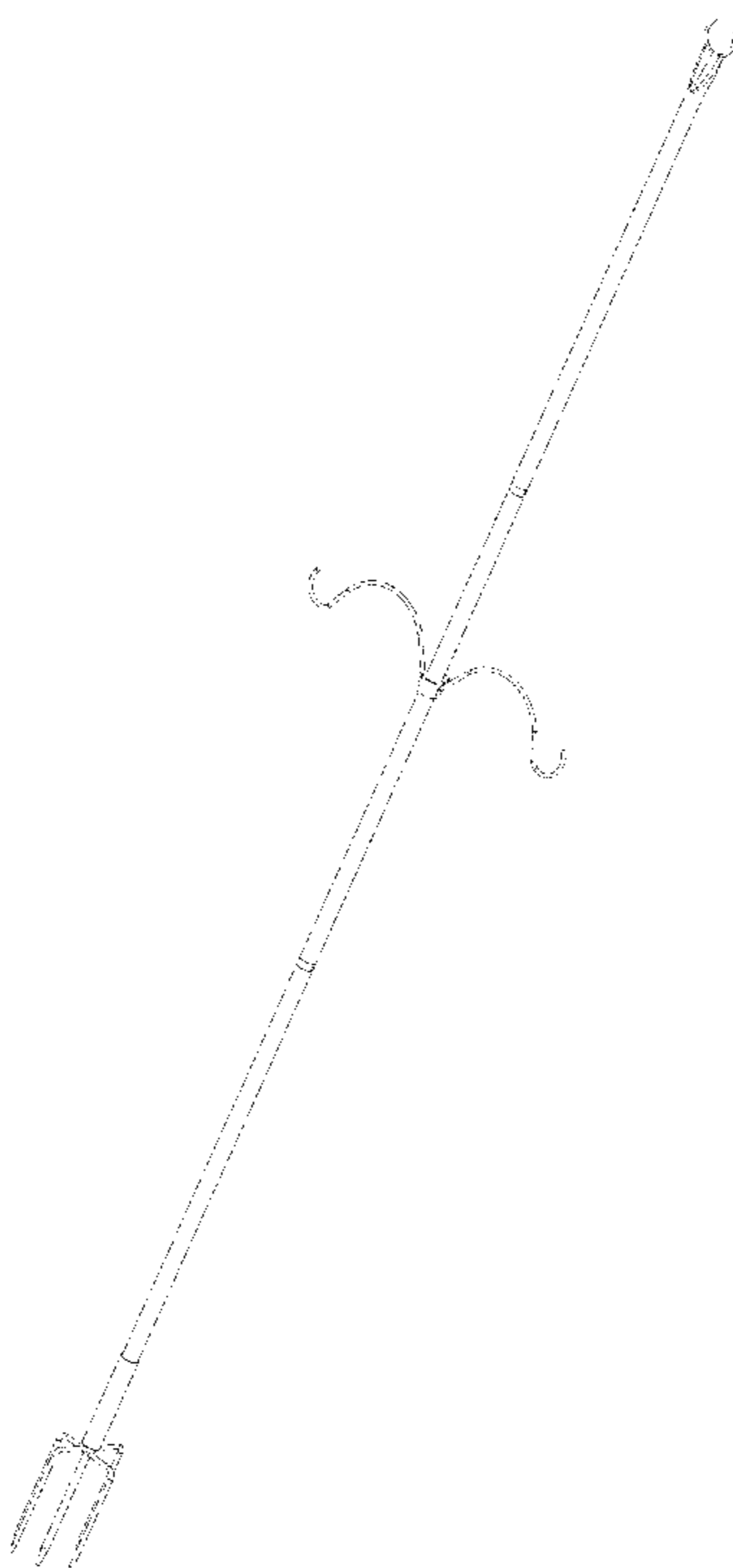
The ornamental design for a courtyard light pole, as shown
and described.

DESCRIPTION

FIG. 1 is a perspective view of a courtyard light post,
showing my new design;
FIG. 2 is a top plan view thereof;
FIG. 3 is a bottom plan view thereof;
FIG. 4 is a left side elevation view thereof;
FIG. 5 is a right side elevation view thereof;
FIG. 6 is a front elevation view thereof; and,
FIG. 7 is a rear elevation view thereof.

1 Claim, 7 Drawing Sheets

(56) **References Cited**
U.S. PATENT DOCUMENTS
4,991,344 A * 2/1991 Carney A47G 7/042
211/133.2
5,037,049 A * 8/1991 Funk A47F 5/01
248/165
D346,240 S * 4/1994 Dickens, Sr. D26/138
D391,419 S * 3/1998 Walters D6/404
D401,484 S * 11/1998 Hardison D8/1
D433,886 S * 11/2000 Wolter, Jr. D8/1
D436,218 S * 1/2001 Gary D26/138



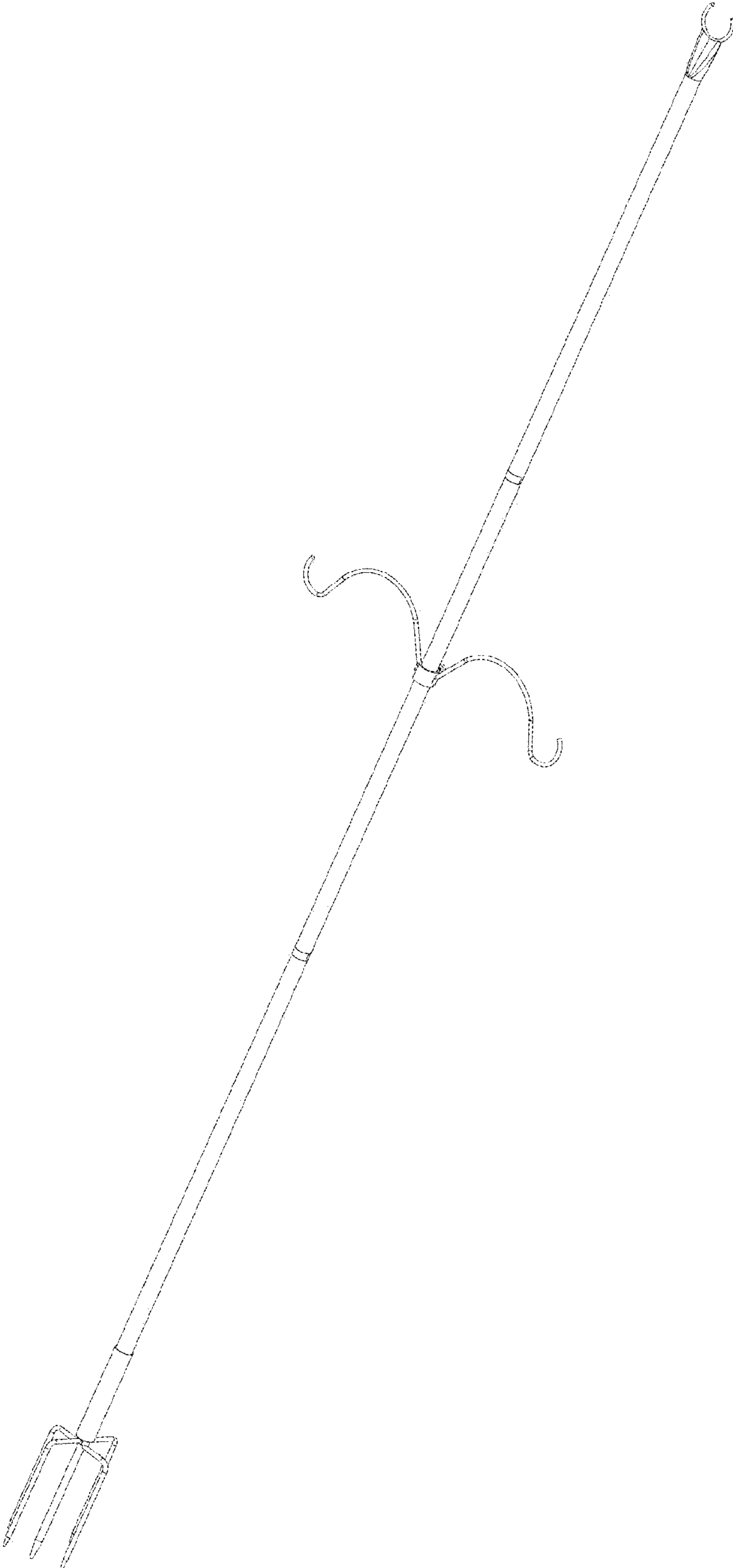


FIG. 1

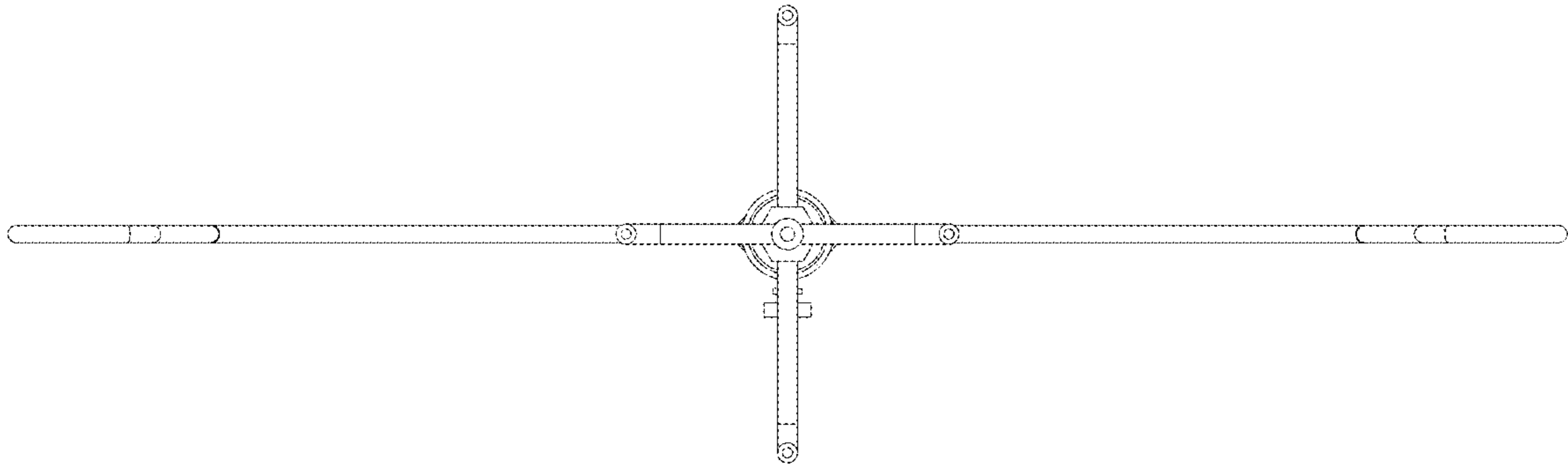


FIG. 2

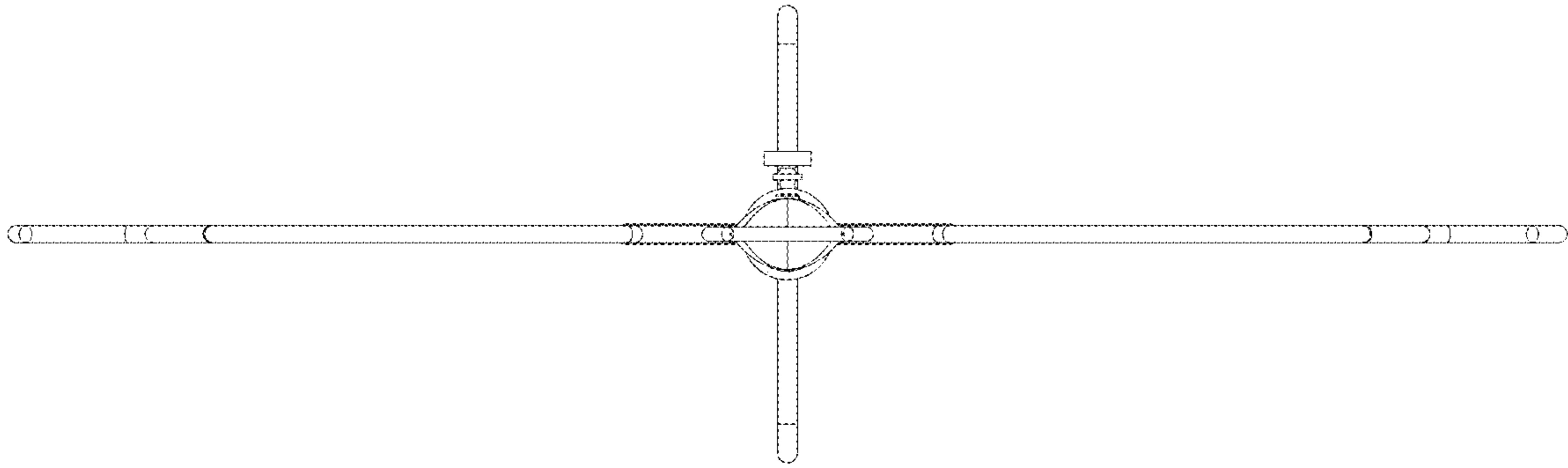


FIG. 3

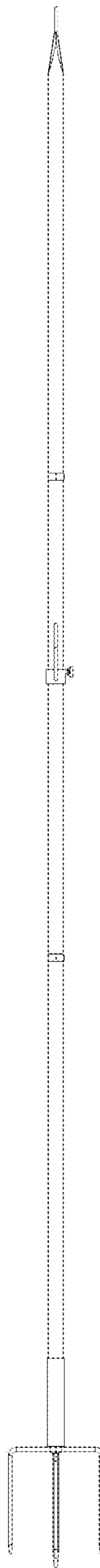


FIG. 4

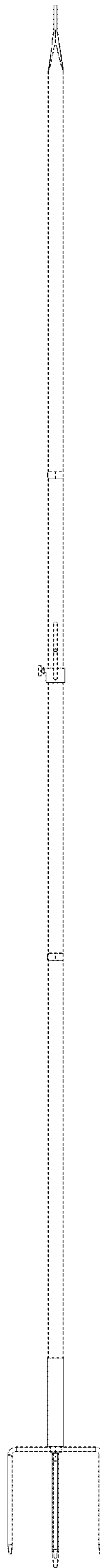


FIG. 5

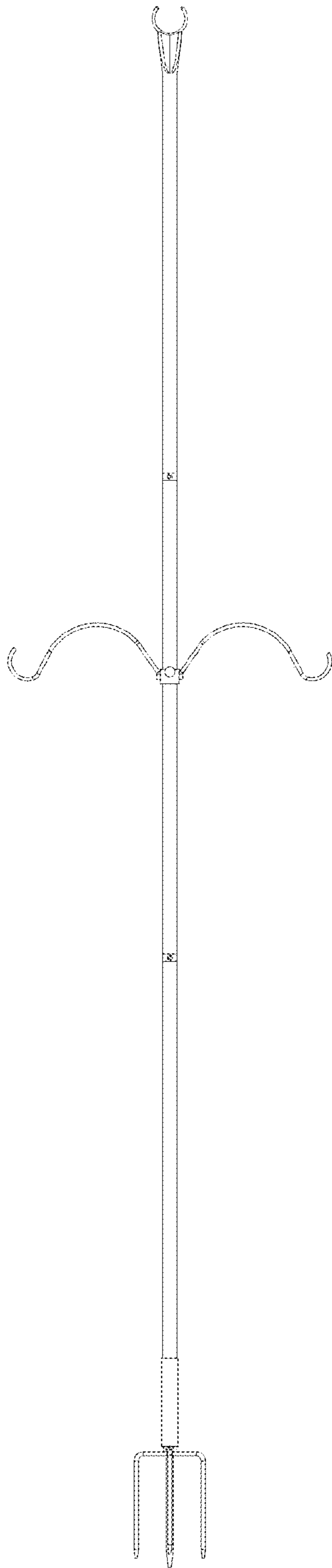


FIG. 6

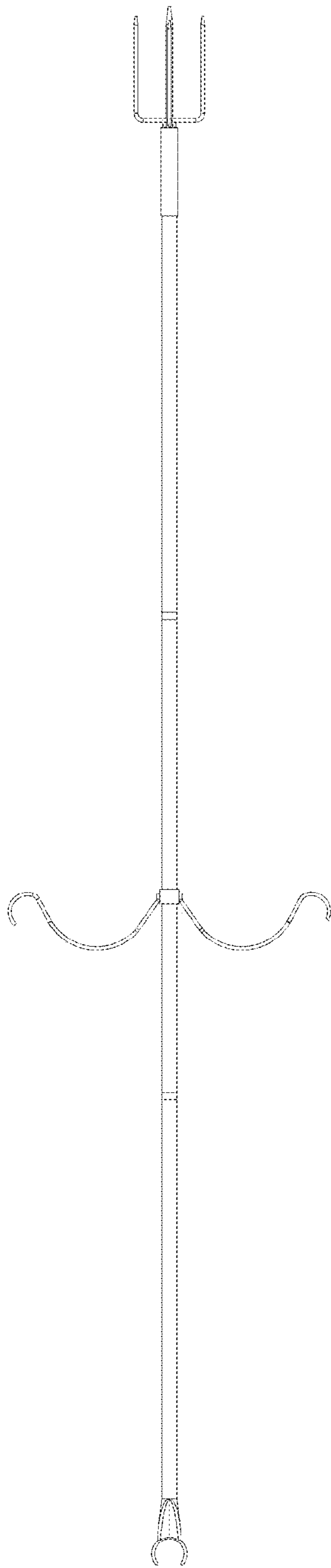


FIG. 7