



US00D955628S

(12) **United States Design Patent** (10) **Patent No.:** **US D955,628 S**  
**Yang** (45) **Date of Patent:** **\*\* Jun. 21, 2022**

(54) **TABLE LAMP**

(71) Applicant: **DONGGUAN POWERME PLASTIC MFG. CO., LTD.**, Dongguan (CN)

(72) Inventor: **Guowei Yang**, Dongguan (CN)

(73) Assignee: **DONGGUAN POWERME PLASTIC MFG. CO., LTD.**, Dongguan (CN)

(\*\*) Term: **15 Years**

(21) Appl. No.: **29/774,614**

(22) Filed: **Mar. 18, 2021**

(51) **LOC (13) Cl.** ..... **26-05**

(52) **U.S. Cl.**  
USPC ..... **D26/110; D26/40; D26/104**

(58) **Field of Classification Search**  
USPC ..... D26/24, 37-52, 60, 93, 104-107, 113, D26/118-119, 138, 110

CPC ..... F21Y 2115/10; F21Y 2103/10; F21Y 2103/00; F21Y 2107/30; F21Y 2107/40; F21Y 2113/13; F21Y 2103/33; F21Y 2105/10; F21Y 2113/00; F21Y 2113/17; F21Y 2113/20; F21S 6/003; F21S 6/002; F21S 6/00; F21S 9/02; F21S 6/005; F21S 10/023; F21S 2/00; F21S 8/03; F21S 2/005; F21S 6/001; F21S 6/006; F21S 6/008; F21S 8/036; F21S 9/022; F21S 9/037; F21V 21/26; F21V 23/04; F21V 21/06; F21V 21/30; F21V 21/22; F21V 3/00; F21V 17/007; F21V 21/403; F21V 23/002; F21V 23/0485; F21V 33/0012; F21V 5/04; F21V 7/0091; F21V 1/16; F21V 21/14; F21V 21/35; F21V 21/40; F21V 23/003; F21V 23/005; F21V 23/0435; F21V 23/0442; F21V 23/06; F21V 27/00; F21V 29/51; F21V 31/005; F21V 33/0024; F21V 33/0048; F21V 14/02; F21V 14/04; F21V 14/06; F21V 14/08; F21V 15/01; F21V 17/02; F21V 17/104; F21V 17/105; F21V 17/18; F21V 19/02; F21V 1/00; F21V 1/06; F21V

1/12; F21V 1/143; F21V 1/22; F21V 21/005; F21V 21/08; F21V 21/0885; F21V 21/116; F21V 21/15; F21V 21/28; F21V 21/29; F21V 21/38; F21V 23/026; F21V

(Continued)

(56) **References Cited**

U.S. PATENT DOCUMENTS

D711,572 S \* 8/2014 Kwon ..... D26/37  
D822,264 S \* 7/2018 Li ..... D26/104  
(Continued)

FOREIGN PATENT DOCUMENTS

CN 303747555 \* 7/2016  
CN 303938647 \* 11/2016  
(Continued)

*Primary Examiner* — Marissa J Cash  
*Assistant Examiner* — William B Melliar

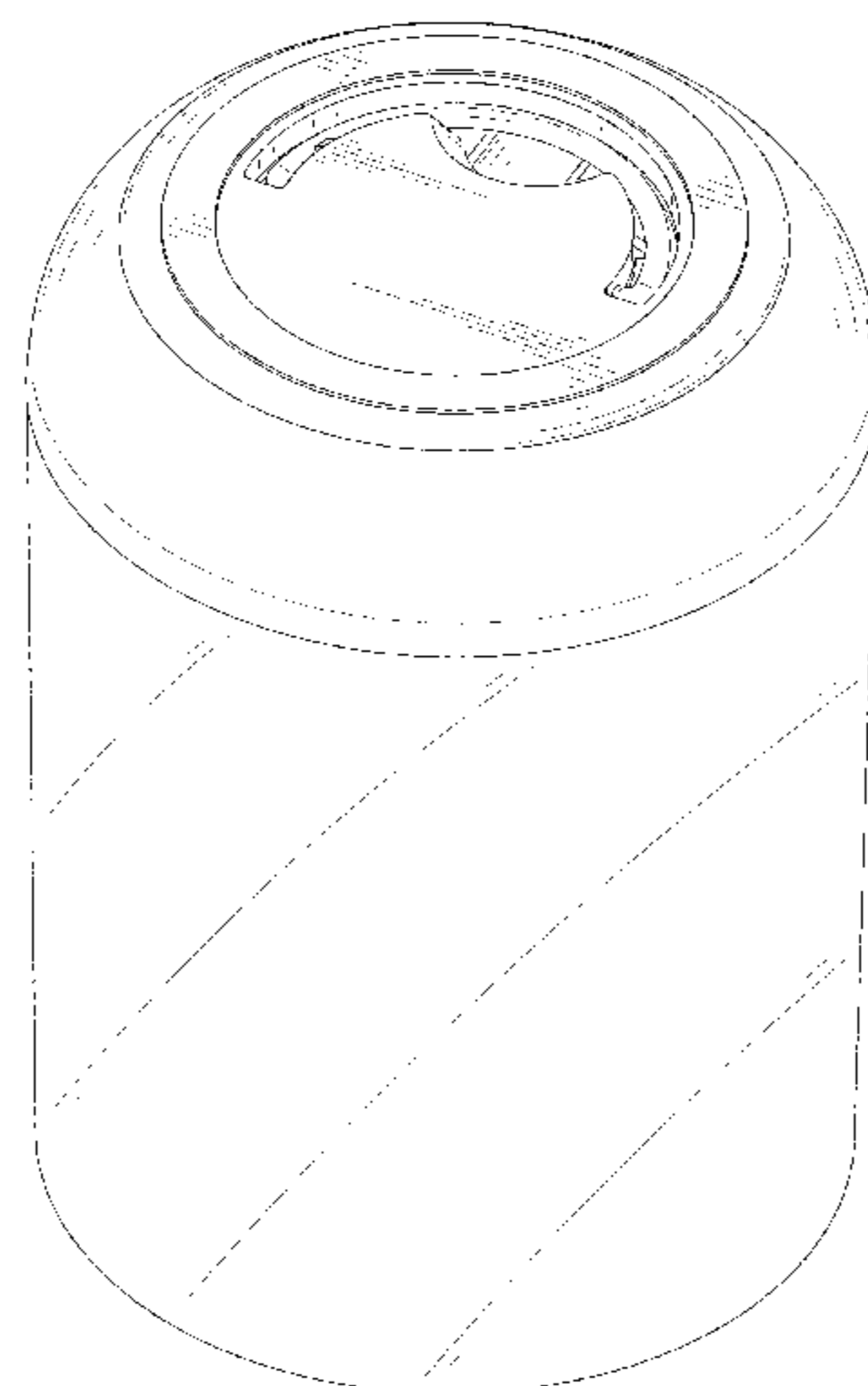
(57) **CLAIM**

The ornamental design for a table lamp, as shown and described.

**DESCRIPTION**

FIG. 1 is a perspective view of a table lamp showing my new design;  
FIG. 2 is another perspective view thereof;  
FIG. 3 is a front elevational view thereof;  
FIG. 4 is a rear elevational view thereof;  
FIG. 5 is a left side elevational view thereof;  
FIG. 6 is a right side elevational view thereof;  
FIG. 7 is a top plan view thereof;  
FIG. 8 is a bottom plan view thereof; and,  
FIG. 9 is a perspective view of the table lamp where the table lamp is in a configuration of use.  
The broken lines in the drawings depict portions of the table lamp that form no part of the claimed design.

**1 Claim, 9 Drawing Sheets**



(58) **Field of Classification Search**

CPC ..... 23/0414; F21V 23/0464; F21V 29/503;  
F21V 29/508; F21V 29/73; F21V 33/004;  
F21V 33/0052; F21V 33/0076; F21V  
5/00; F21V 7/0008; F21V 7/0016; F21V  
7/0083; F21V 7/05; F21V 7/10; F21V  
9/00; F21V 9/40

See application file for complete search history.

(56) **References Cited**

U.S. PATENT DOCUMENTS

D838,030	S	1/2019	Scarso	
D860,257	S	*	9/2019 Akana	D14/496
D863,356	S	*	10/2019 Akana	D14/496
D879,151	S	*	3/2020 Akana	D14/496
D885,640	S	*	5/2020 Civelekoglu	D26/104
D906,290	S	*	12/2020 Kang	D14/216
D925,810	S	*	7/2021 Yi	D26/110
D925,811	S	*	7/2021 Wang	D26/110
D932,088	S	*	9/2021 Zhang	D26/110
D932,682	S	*	10/2021 Chang	D26/106

FOREIGN PATENT DOCUMENTS

CN	303953178	*	11/2016	
CN	304119619	*	4/2017	
GB	6124793	*	3/2021	
JP	D1655889	*	3/2020	

\* cited by examiner

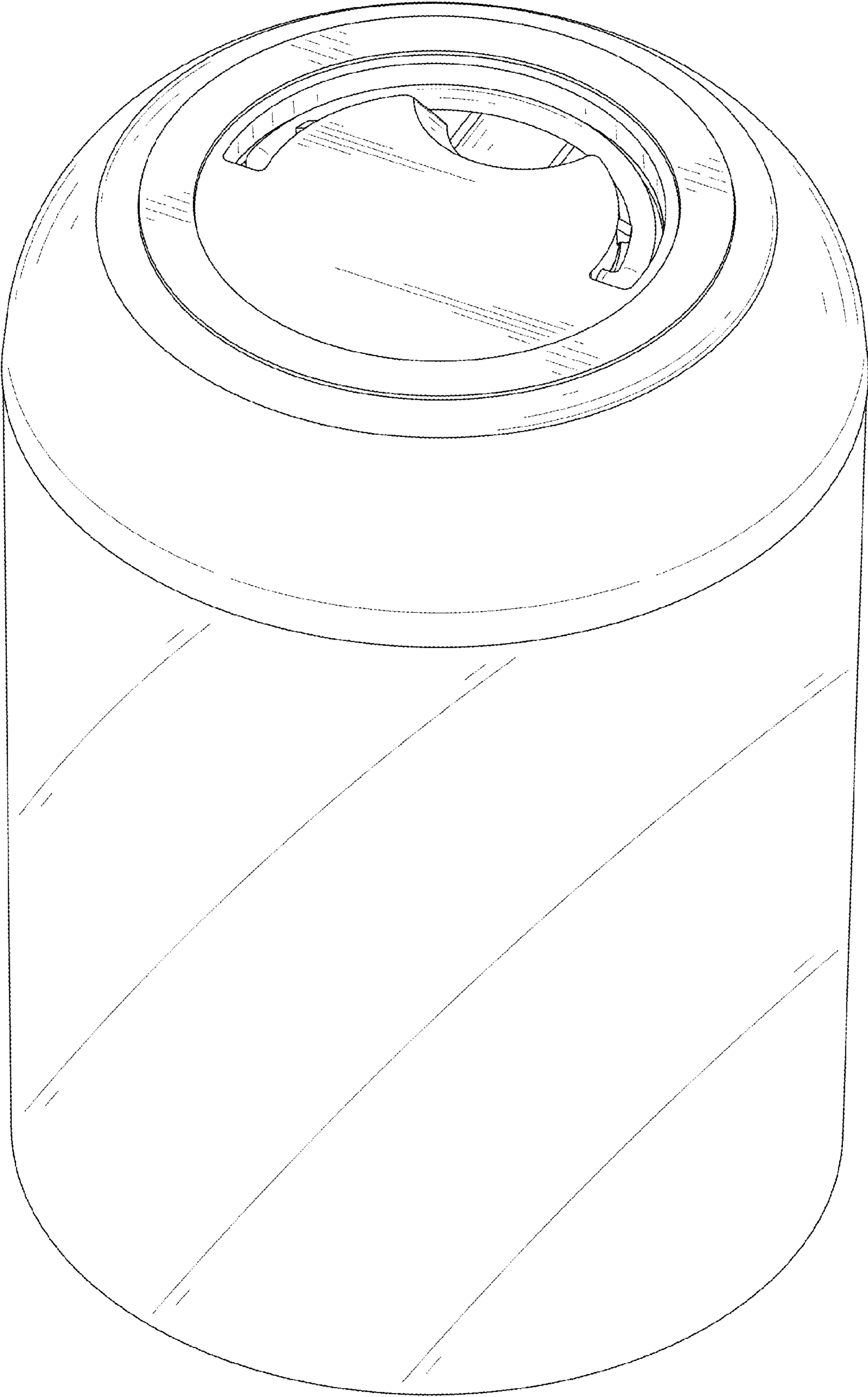


FIG. 1

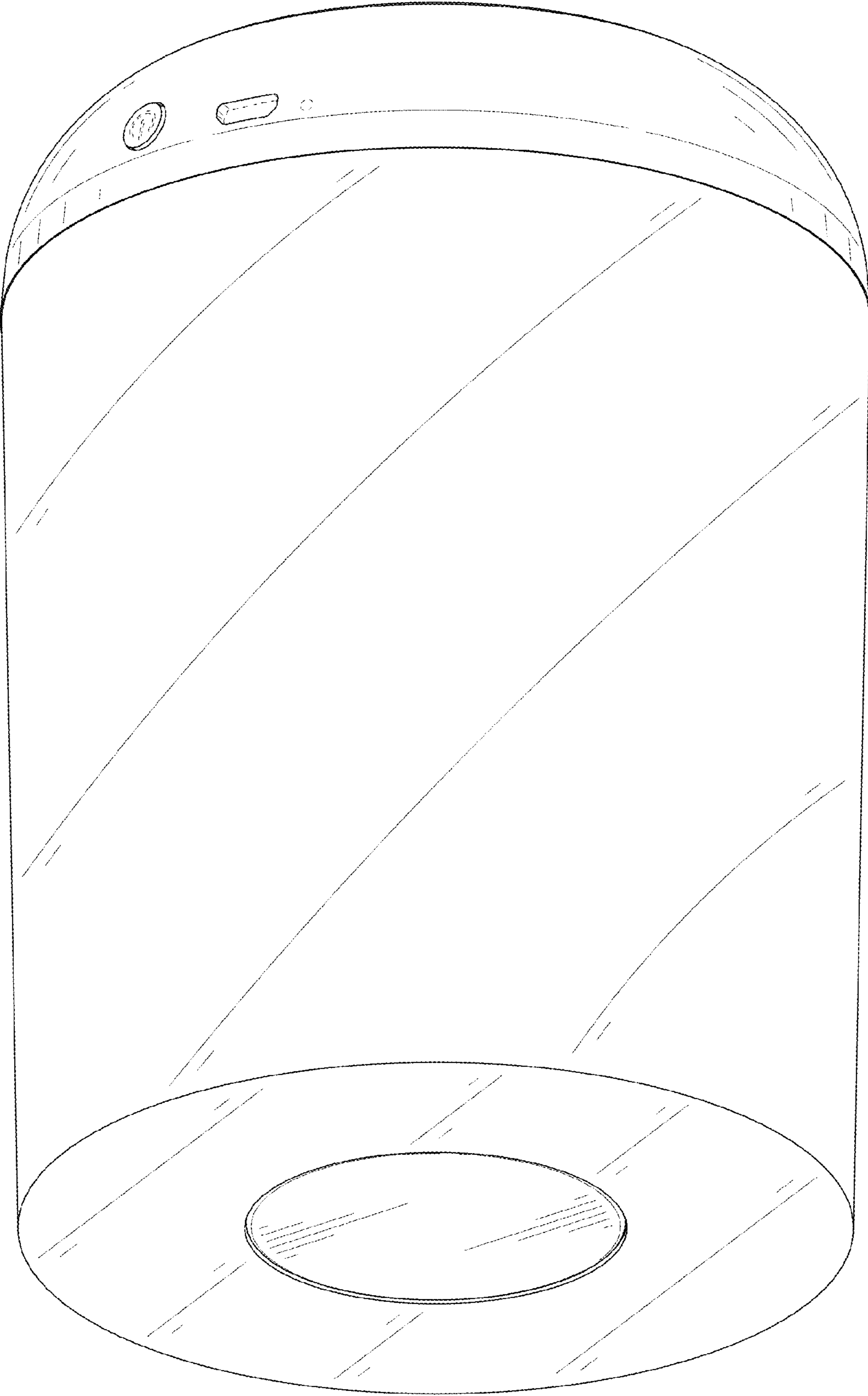


FIG. 2

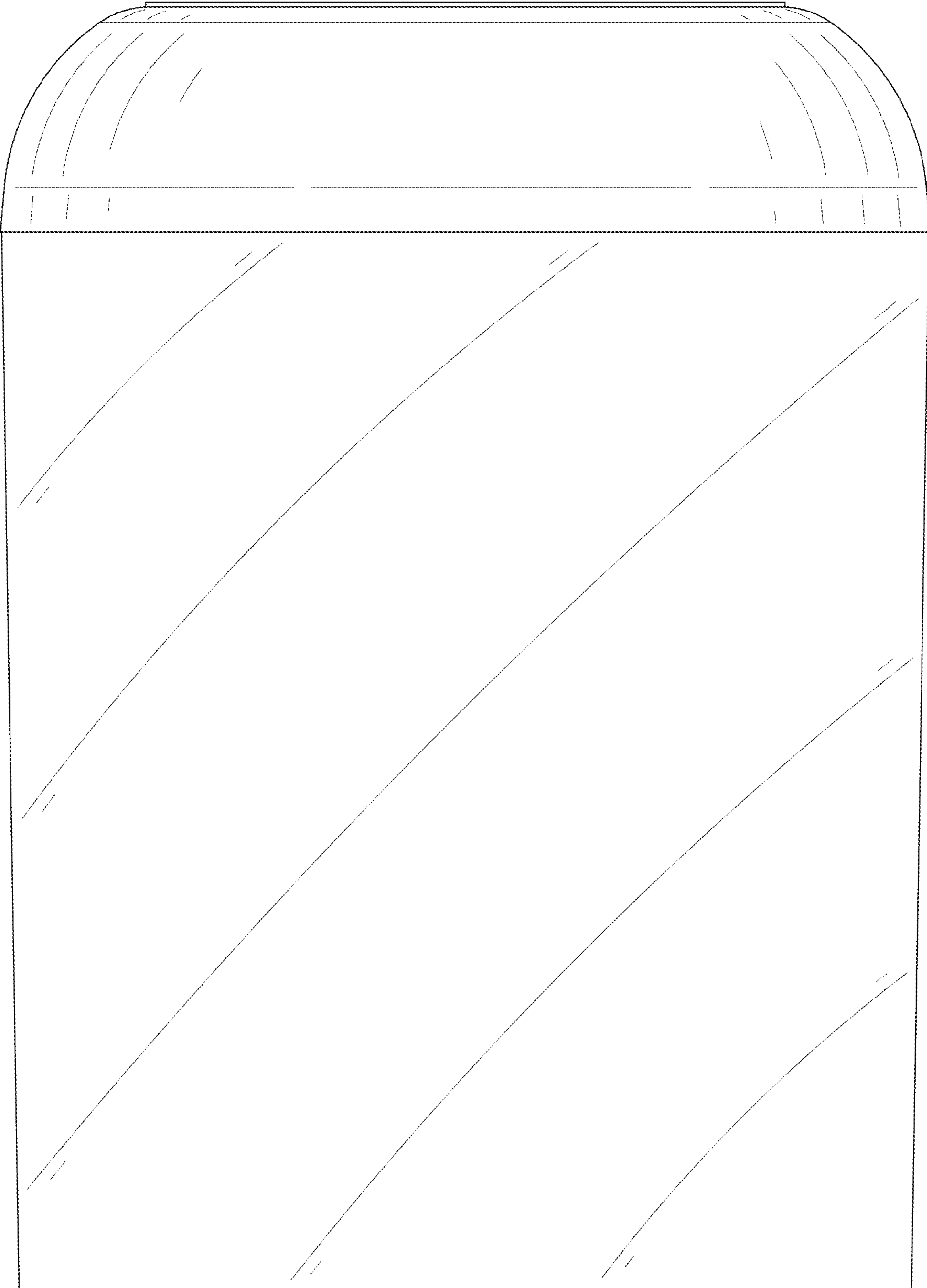


FIG. 3

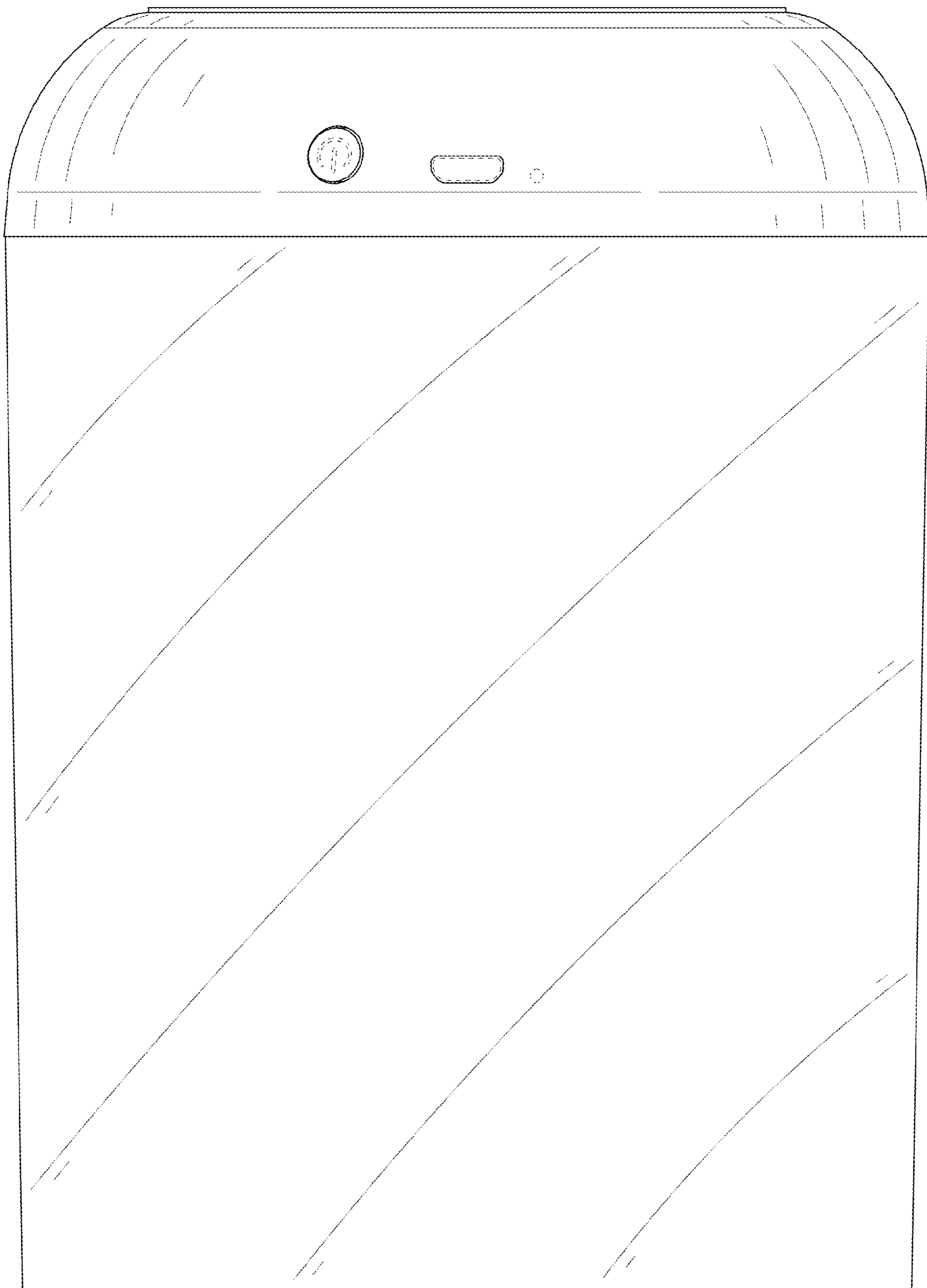


FIG. 4

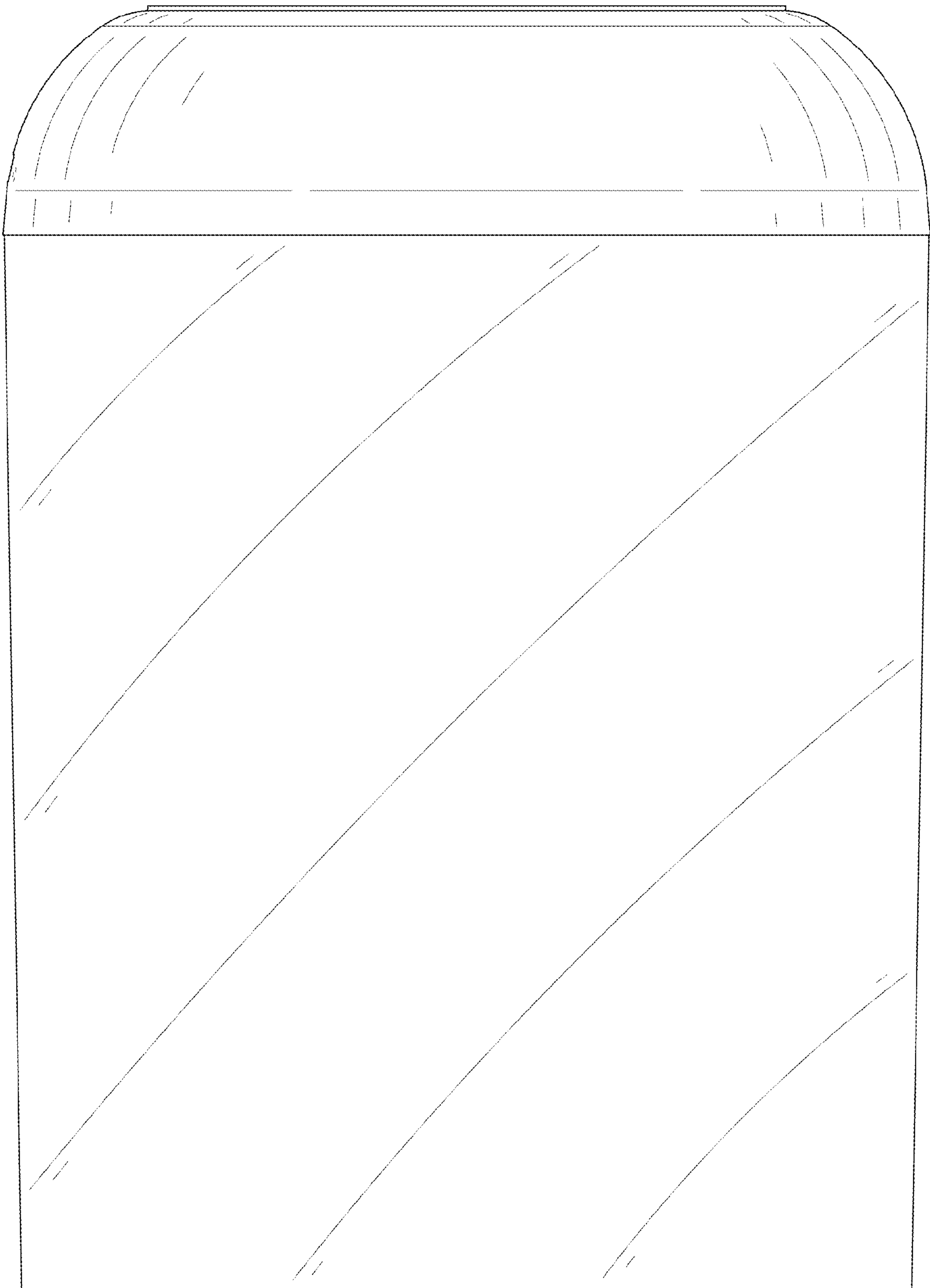


FIG. 5

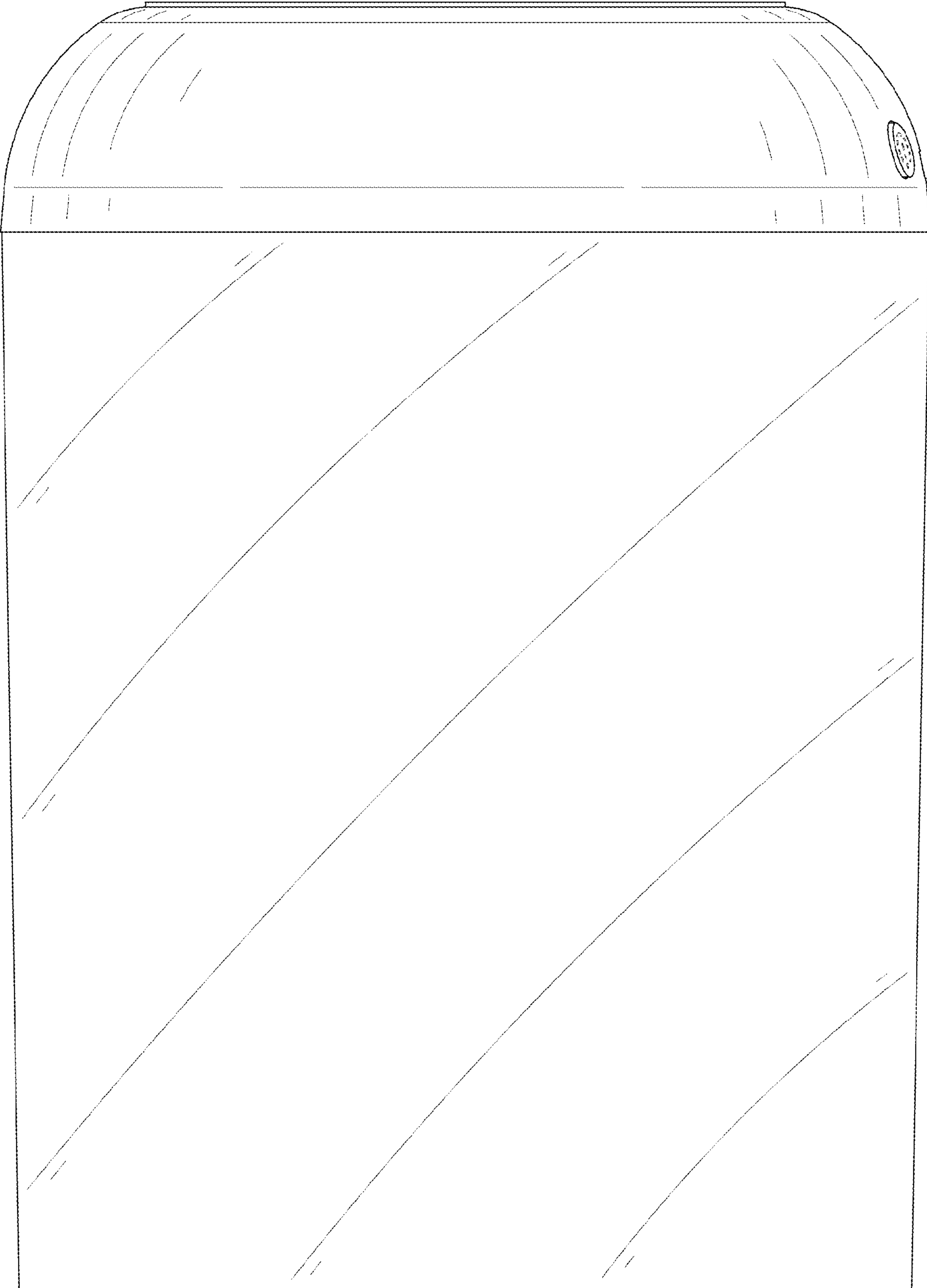


FIG. 6



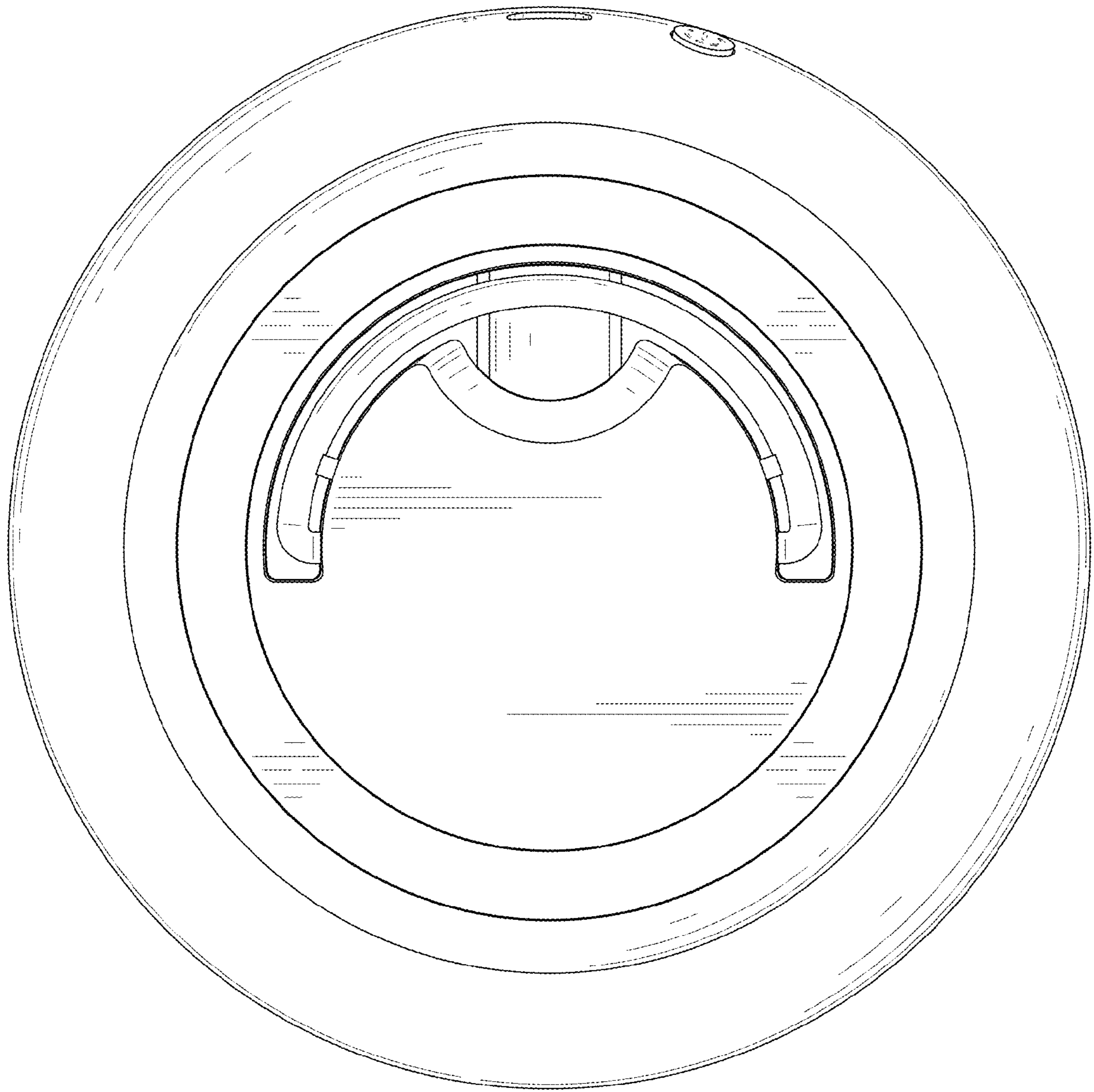


FIG. 7

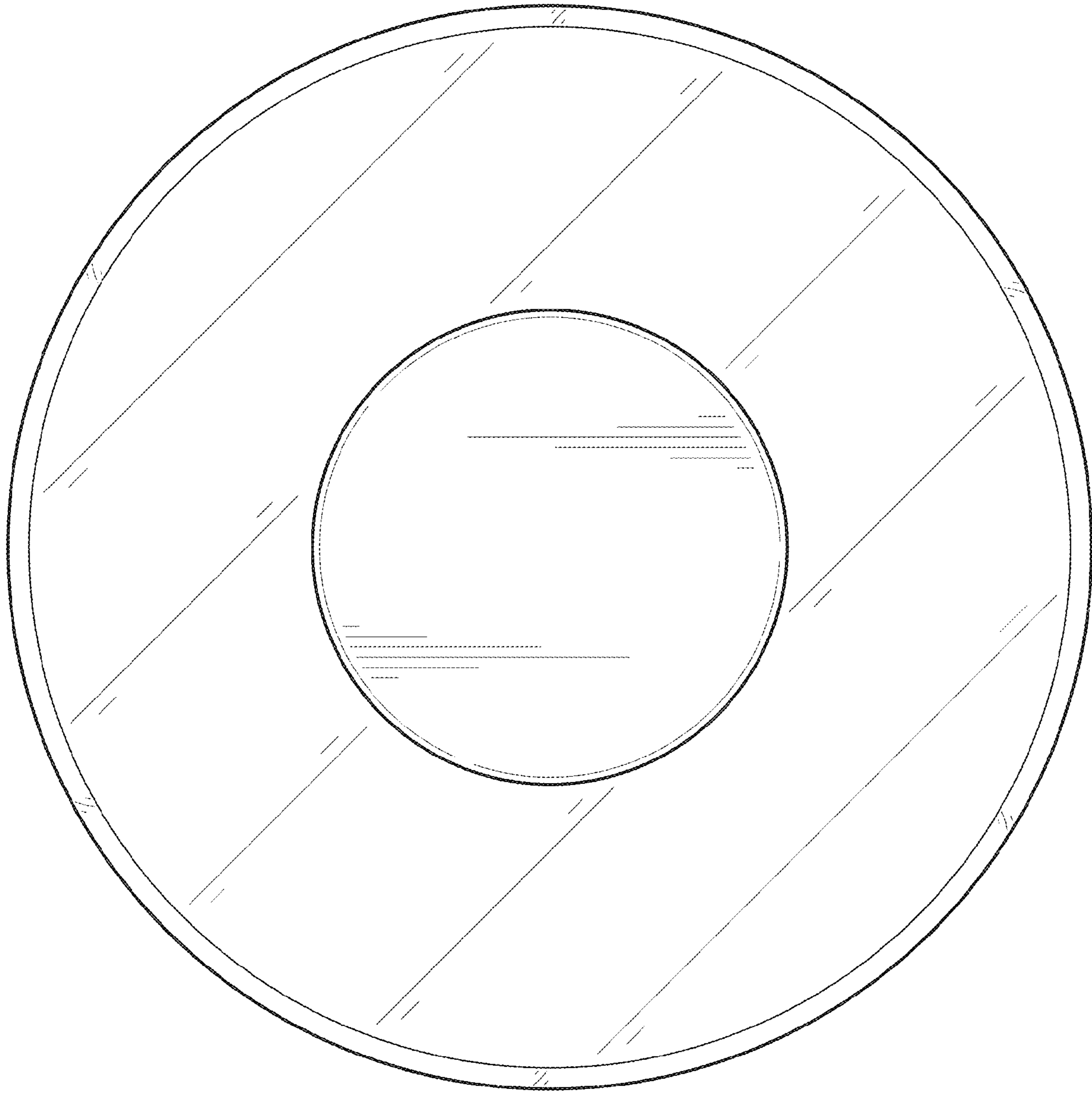


FIG. 8

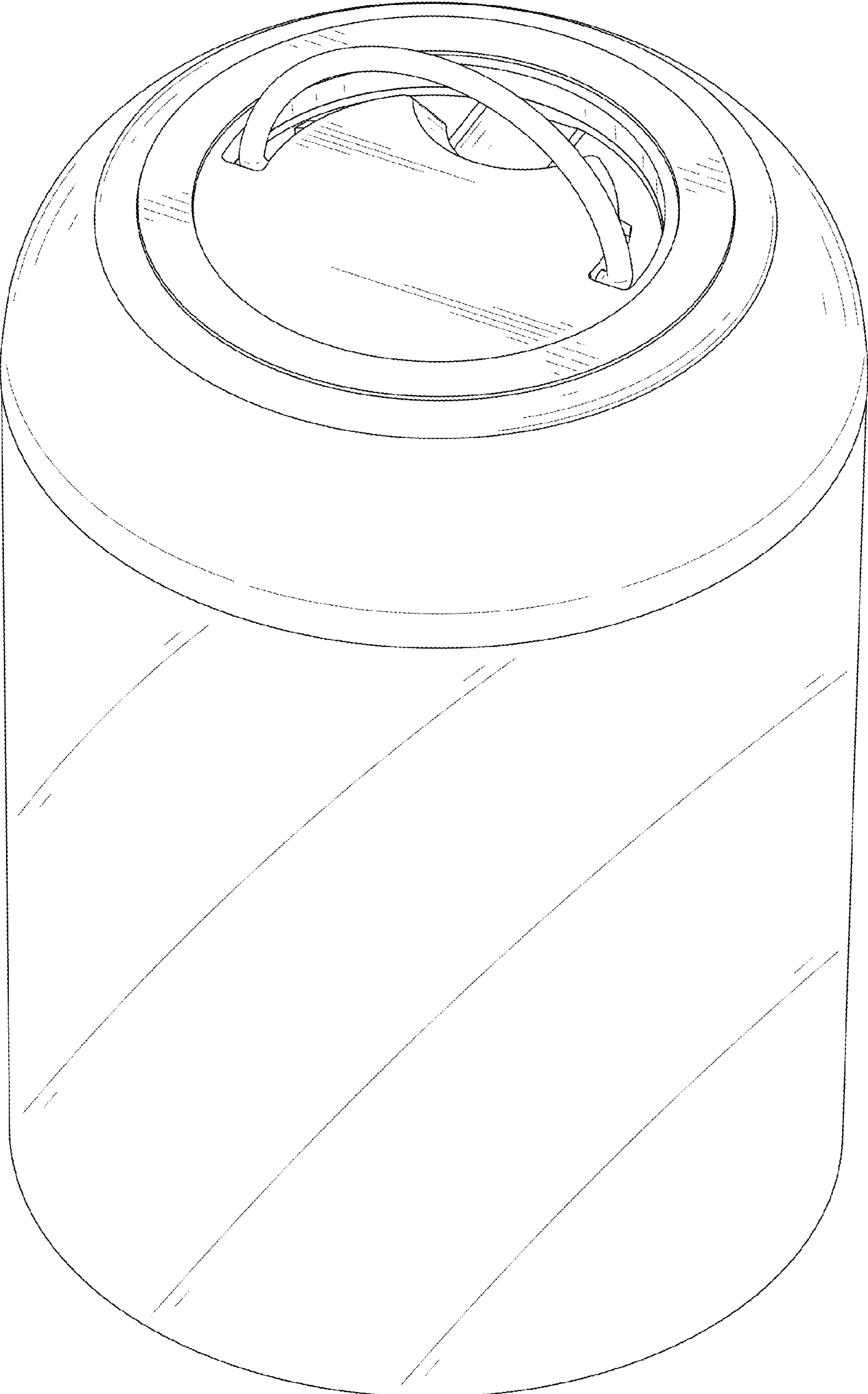


FIG. 9