



US00D955627S

(12) **United States Design Patent**
Wu

(10) **Patent No.:** **US D955,627 S**
(45) **Date of Patent:** **** Jun. 21, 2022**

(54) **SUPPLEMENTARY LIGHT FOR MOBILE PHONE**

(71) Applicant: **Qirong Wu**, Shantou (CN)

(72) Inventor: **Qirong Wu**, Shantou (CN)

(**) Term: **15 Years**

(21) Appl. No.: **29/739,672**

(22) Filed: **Jun. 29, 2020**

(51) **LOC (13) Cl.** **26-05**

(52) **U.S. Cl.**
USPC **D26/106**

(58) **Field of Classification Search**
USPC D26/49, 60, 63, 72, 79, 85, 89, 92, 93,
D26/104, 106, 111, 118, 123, 124, 138;
D16/136, 237, 239, 244, 245, 250;
D28/9, 15, 16, 17, 99; D14/253; D8/71,
D8/72

CPC F21V 21/00; F21V 21/14; F21V 21/30;
F21V 21/096; F21V 1/00; F21V 1/12;
F21V 17/06; F21V 15/01; F21V 14/00;
F21V 14/02; G03B 2215/0575; G03B
2215/0539; G03B 2215/0592; G03B
2215/0589; G03B 15/03; G03B 15/05;
A45F 2200/0508-0533; F21K 5/00; F21K
5/02; F21S 8/003; F21S 8/043

See application file for complete search history.

(56) **References Cited**

U.S. PATENT DOCUMENTS

D250,968 S *	1/1979	Combest	D26/152
D364,241 S *	11/1995	Jaynes	D26/106
D580,580 S *	11/2008	Lodhie	D26/67
D611,178 S *	3/2010	Waring	D26/34
D617,035 S *	6/2010	Sabernig	D26/89
D636,513 S *	4/2011	Furtsch	D26/51
D666,764 S *	9/2012	Gilad	D26/87

D712,073 S *	8/2014	Hirabayashi	D26/2
D827,180 S *	8/2018	Mou	D26/72
D854,227 S *	7/2019	Yu	D26/106
D855,242 S *	7/2019	Chen	D26/106
D860,485 S *	9/2019	Yu	D26/24
D872,348 S *	1/2020	Liu	D26/106
D895,877 S *	9/2020	Kaiser	D26/72
D907,836 S *	1/2021	Zhou	D26/106
D909,649 S *	2/2021	Chu	D26/63
D910,220 S *	2/2021	Wang	D26/63
D910,221 S *	2/2021	Wang	D26/63
D924,454 S *	7/2021	Xiong	D26/51
D929,007 S *	8/2021	Ke	D26/60
D929,026 S *	8/2021	Feng	D26/106
D932,081 S *	9/2021	Wang	D26/60
D932,681 S *	10/2021	Chen	D26/104
2016/0069548 A1 *	3/2016	Wessel	F21S 9/02 362/183
2017/0118385 A1 *	4/2017	Vargas	G03B 17/561

(Continued)

Primary Examiner — Clint A Samuel

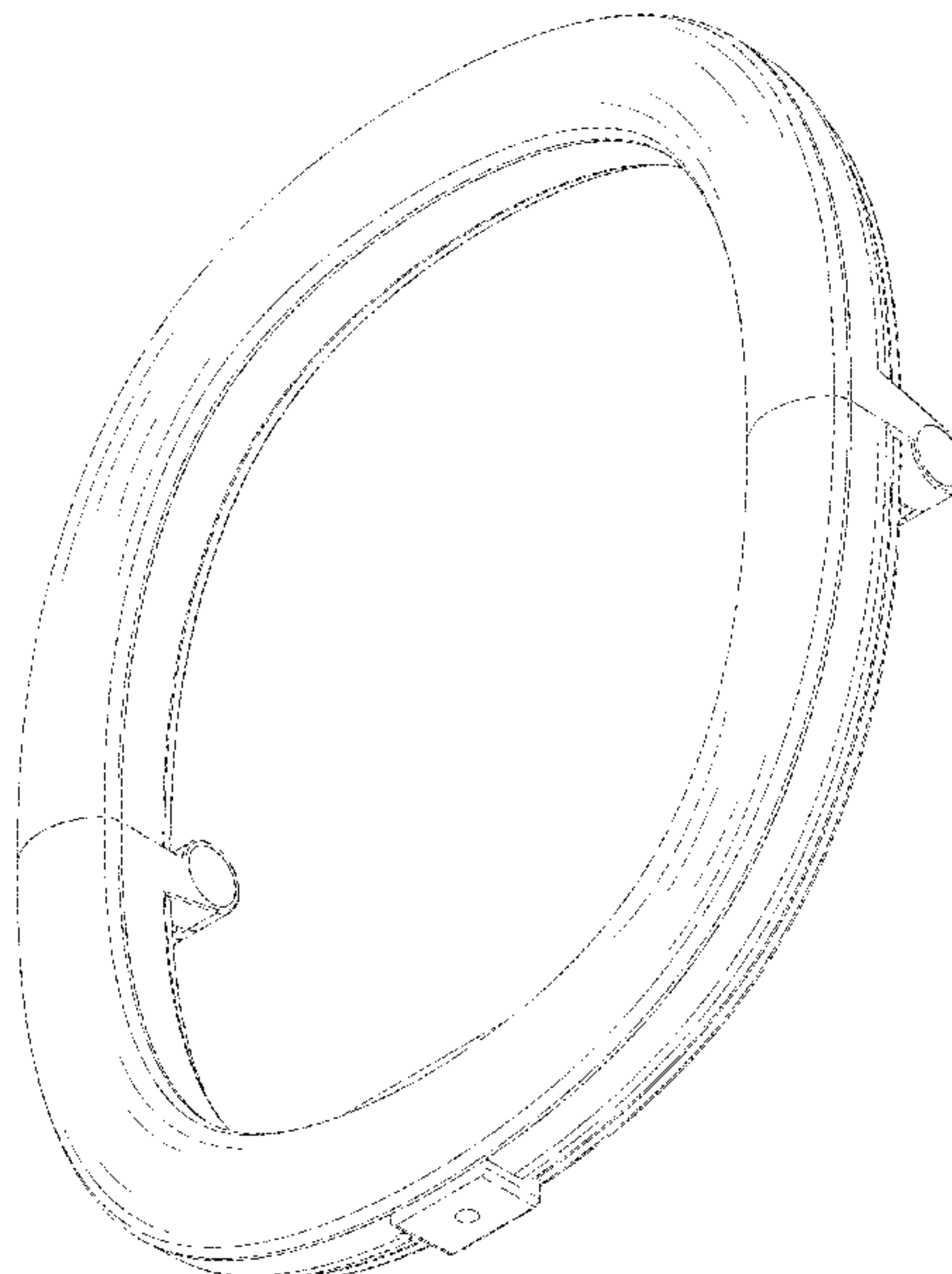
(57) **CLAIM**

The ornamental design for a supplementary light for mobile phone, as shown and described.

DESCRIPTION

FIG. 1 is a front perspective view of a supplementary light for mobile phone showing my new design;
FIG. 2 is a rear perspective view thereof;
FIG. 3 is a front elevational view thereof;
FIG. 4 is a rear elevational view thereof;
FIG. 5 is a left side elevational view thereof;
FIG. 6 is a right side elevational view thereof;
FIG. 7 is a top plan view thereof;
FIG. 8 is a bottom plan view thereof;
FIG. 9 is a rear perspective view thereof, showing the foldable part in an open position; and,
FIG. 10 is a front perspective view thereof, showing the foldable part in an open position.

1 Claim, 10 Drawing Sheets



(56)

References Cited

U.S. PATENT DOCUMENTS

2019/0003699 A1* 1/2019 Mondora F21V 33/004
2020/0281054 A1* 9/2020 Li H05B 45/10
2021/0180783 A1* 6/2021 Frydenger F21V 23/003

* cited by examiner

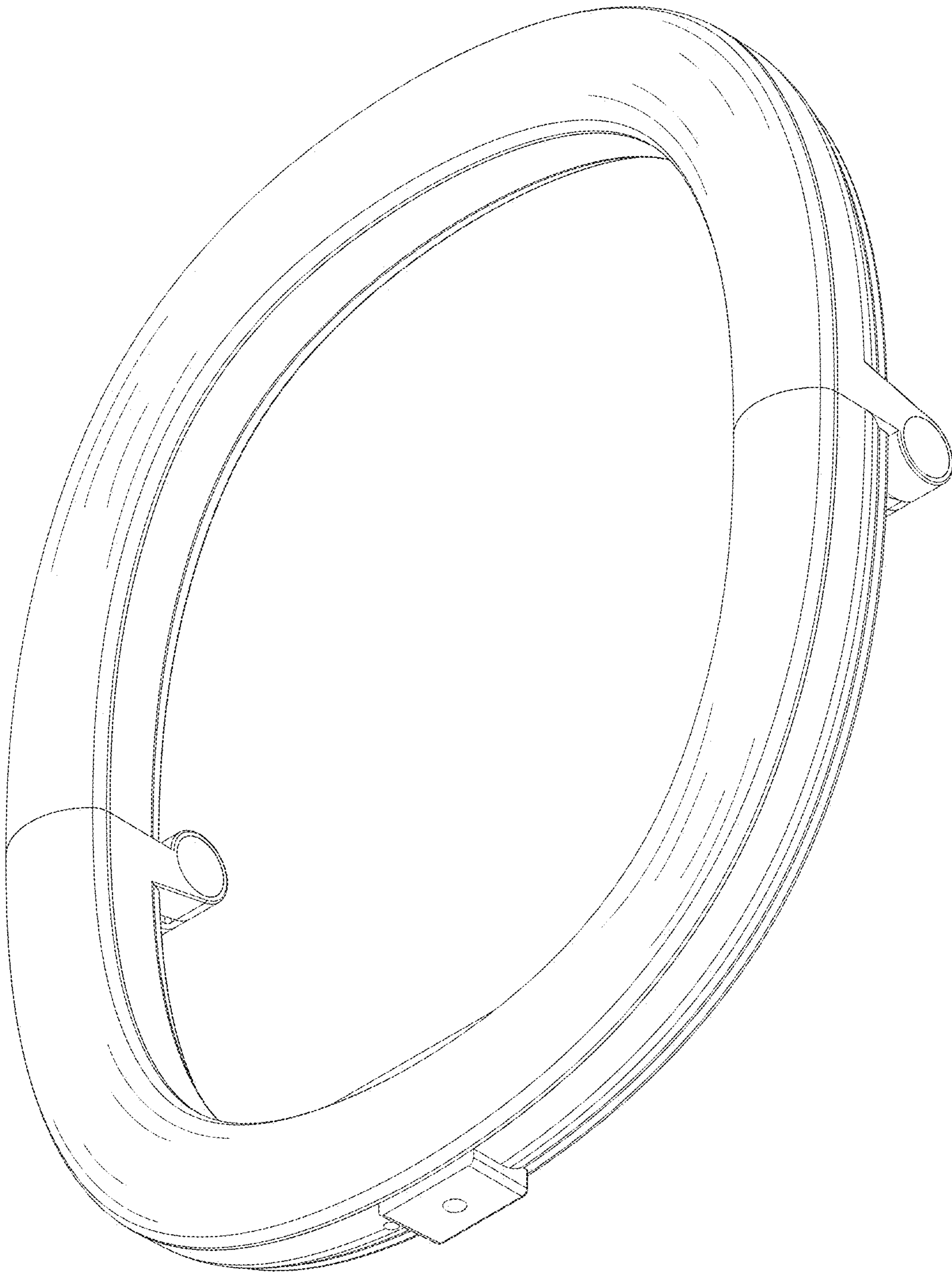


FIG. 1

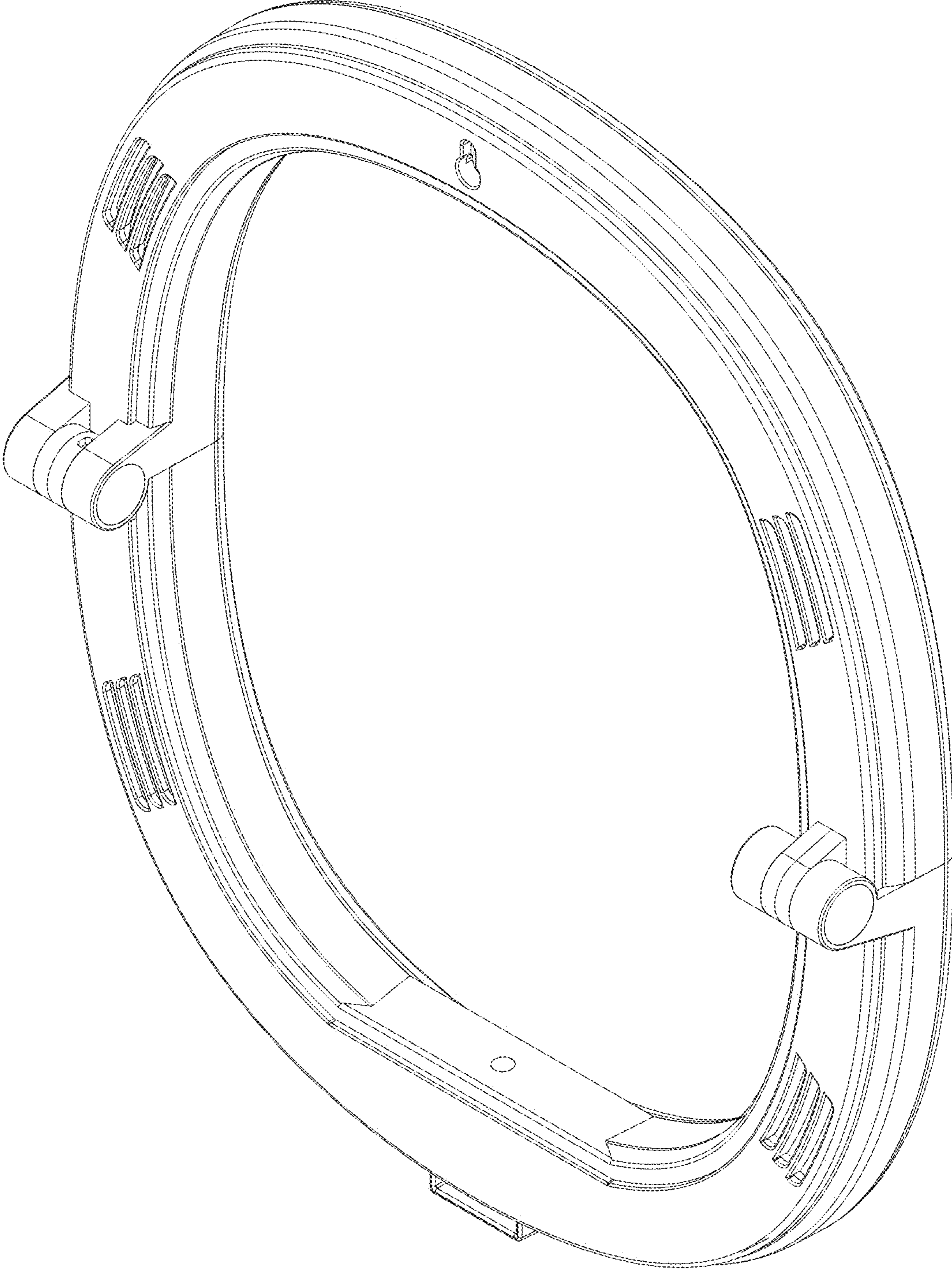


FIG. 2

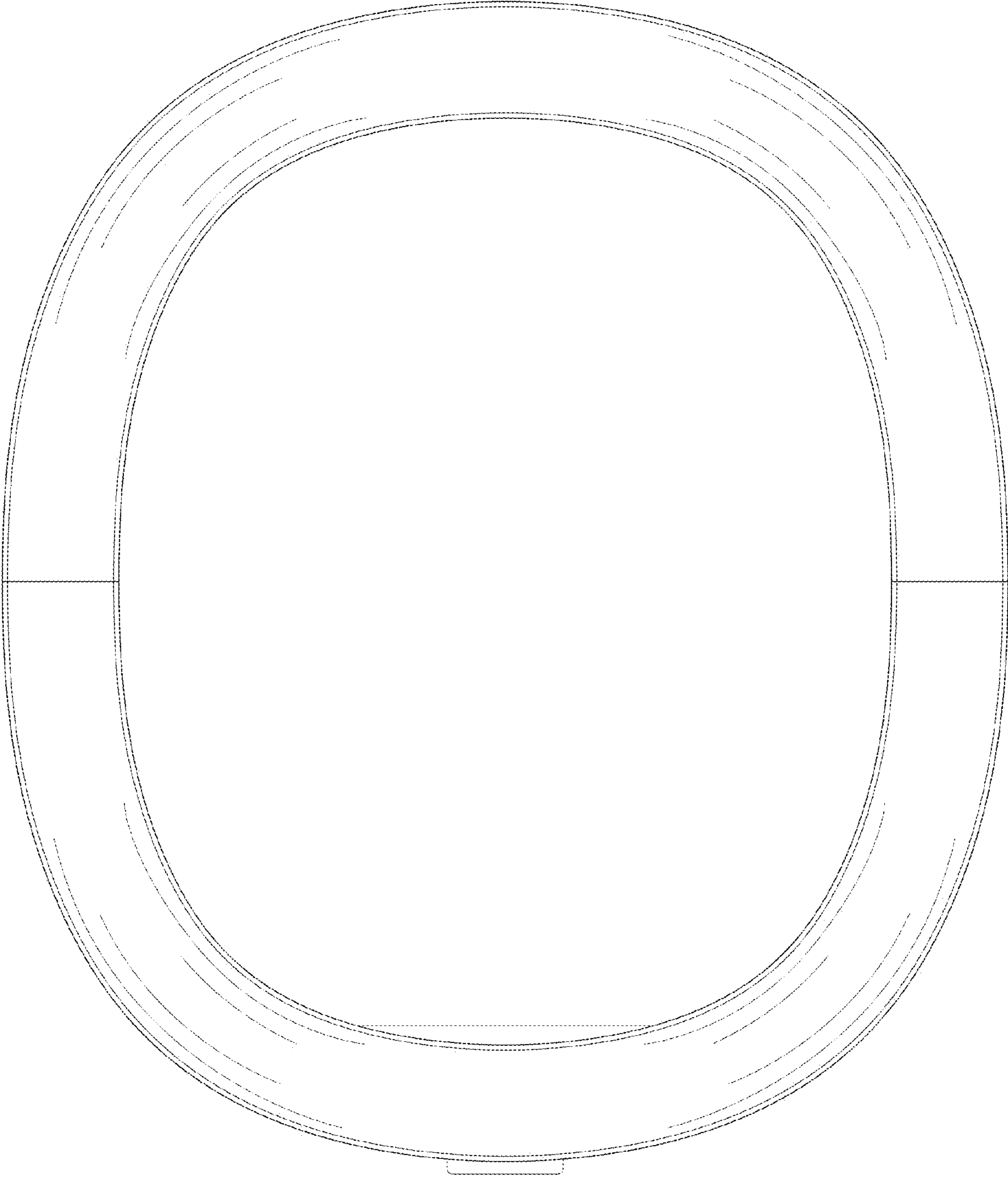


FIG. 3

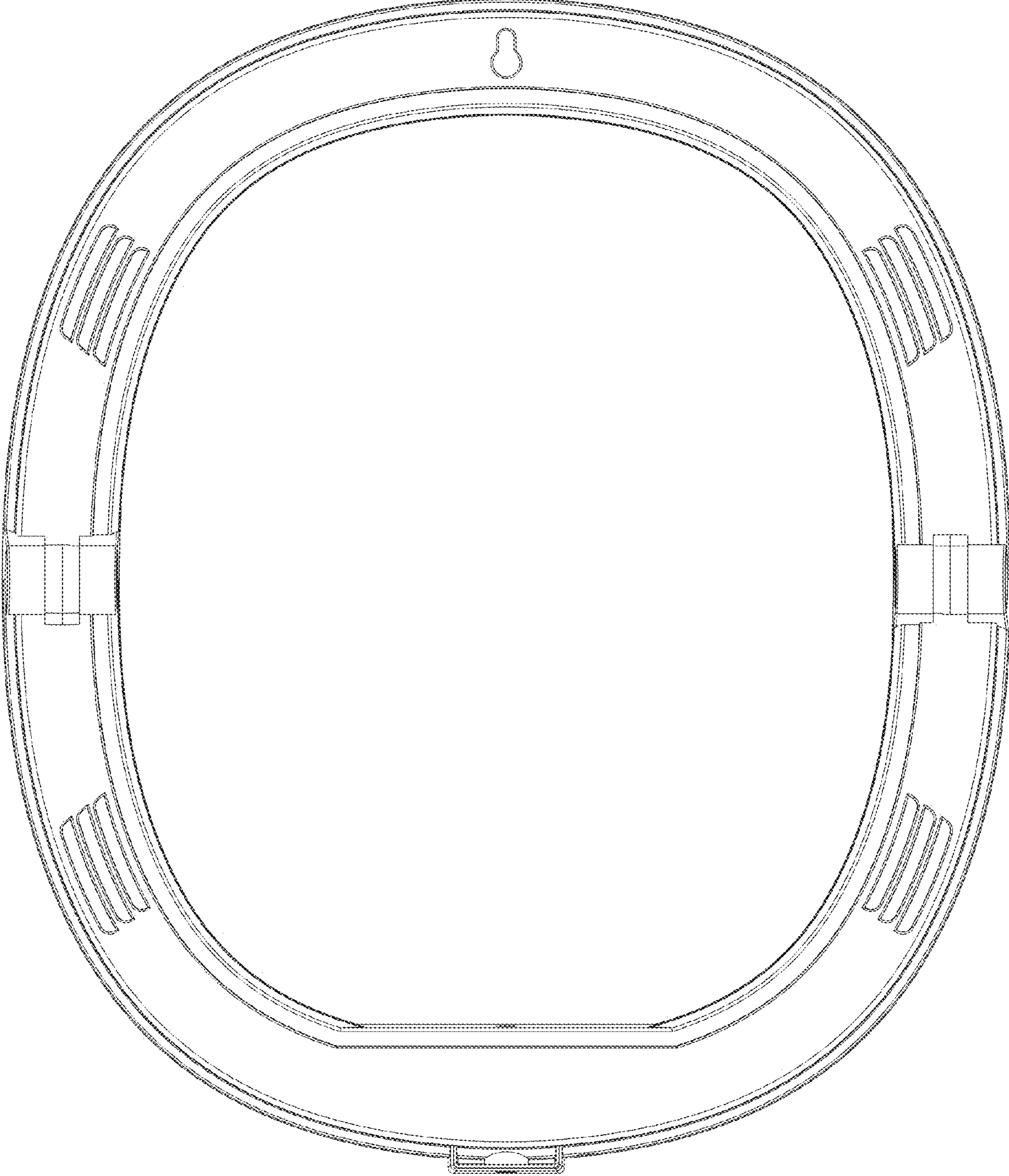


FIG. 4

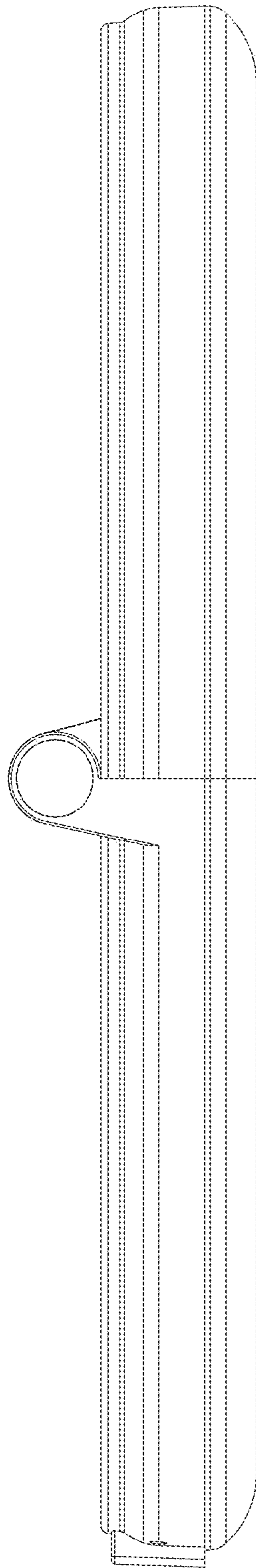


FIG. 5

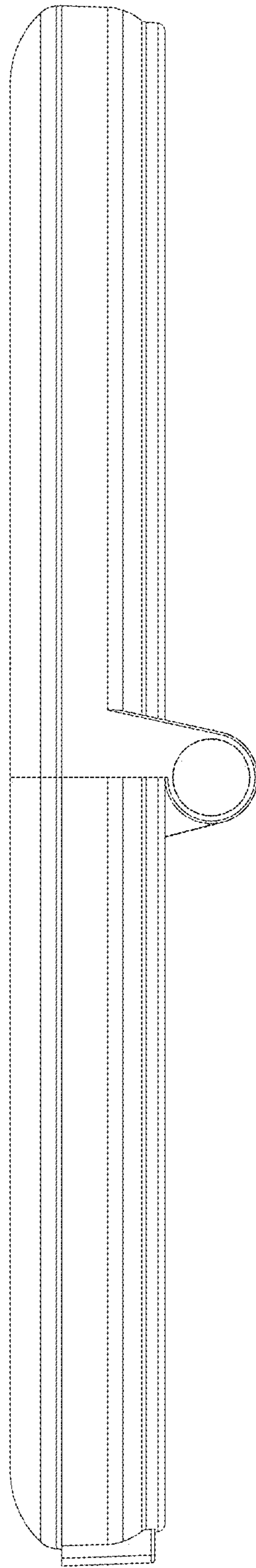


FIG. 6

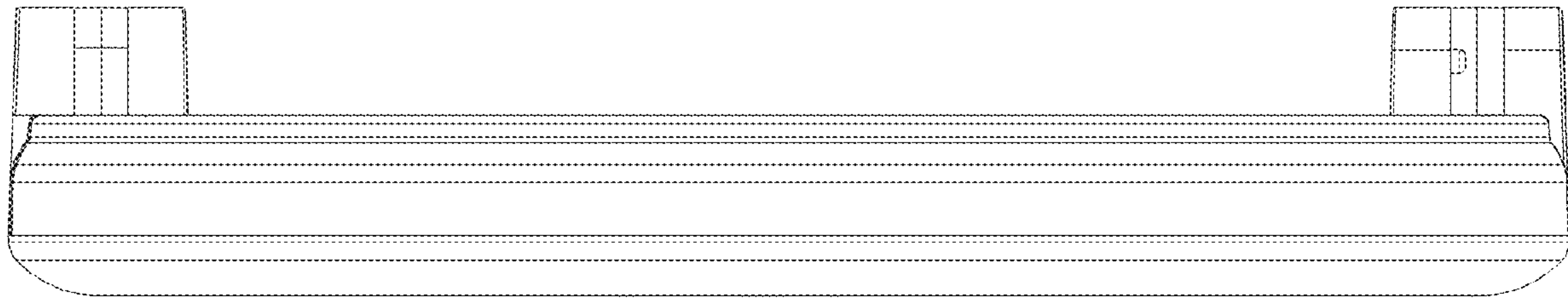


FIG. 7

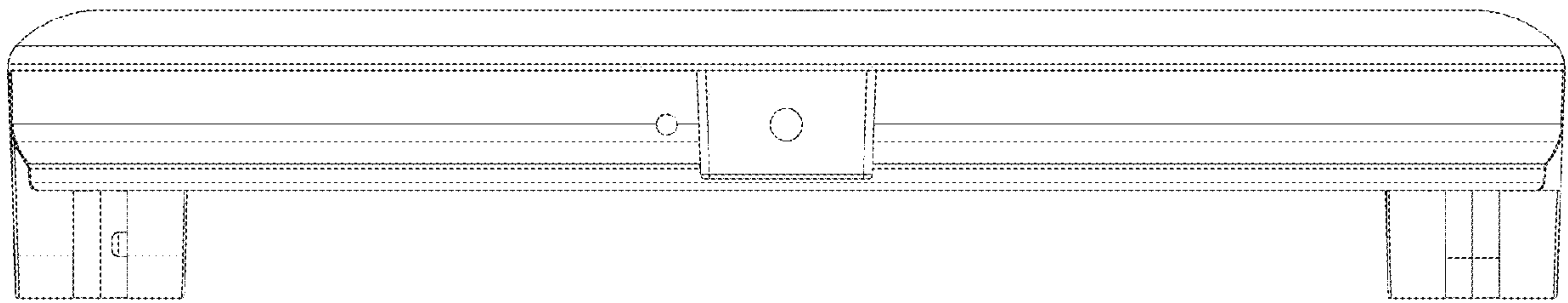


FIG. 8

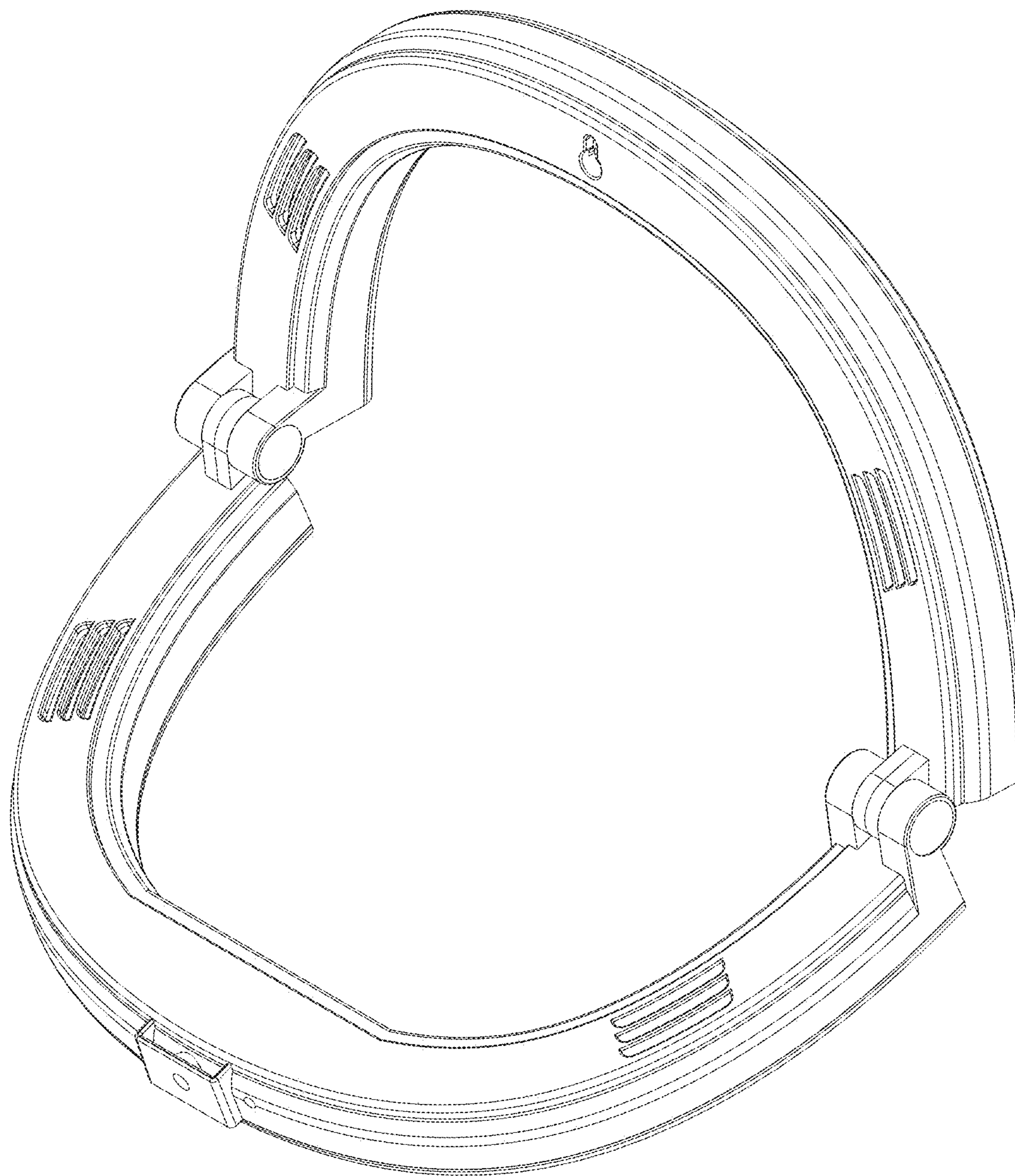


FIG. 9

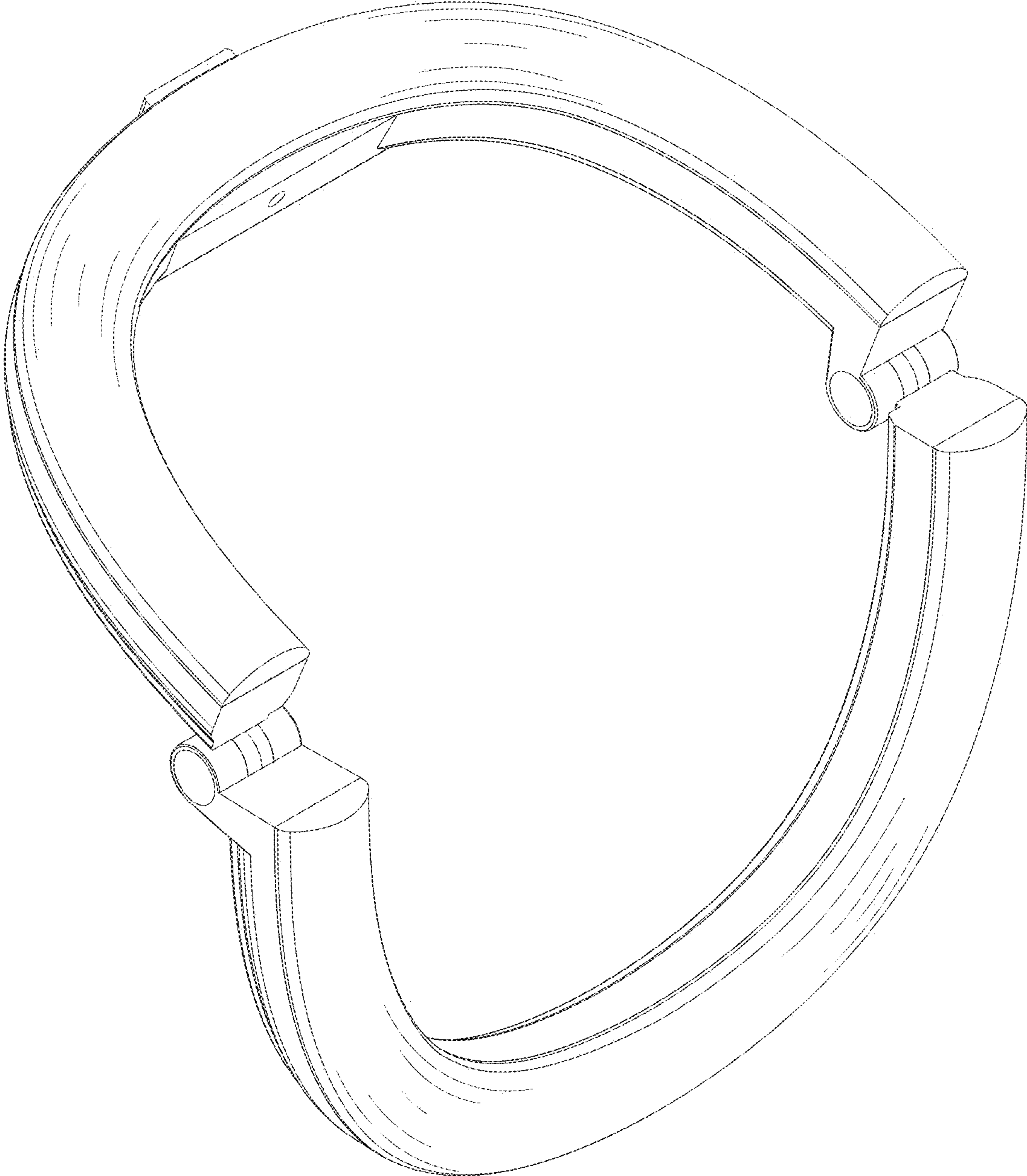


FIG. 10