



US00D955626S

(12) **United States Design Patent**
O’Connell et al.

(10) **Patent No.:** **US D955,626 S**

(45) **Date of Patent:** **** Jun. 21, 2022**

(54) **LIGHT FIXTURE**

(71) Applicant: **Hunter Fan Company**, Memphis, TN (US)

(72) Inventors: **Patrick R. O’Connell**, Germantown, TN (US); **Claire Bernice McRoberts**, La Jolla, CA (US); **Ryan Lee Eiffert**, Memphis, TN (US)

(73) Assignee: **Hunter Fan Company**, Memphis, TN (US)

(**) Term: **15 Years**

(21) Appl. No.: **29/732,327**

(22) Filed: **Apr. 23, 2020**

(51) **LOC (13) Cl.** **26-03**

(52) **U.S. Cl.**
USPC **D26/89; D26/128**

(58) **Field of Classification Search**
USPC D26/24, 59, 72, 80, 84, 85, 89, 118, 128, D26/135; D23/377
See application file for complete search history.

(56) **References Cited**

U.S. PATENT DOCUMENTS

939,062 A *	11/1909	Mygatt	F21V 5/00	D26/118
D63,887 S *	2/1924	Dickerson	D26/131	
D64,122 S *	3/1924	Mathieu	D26/132	
D100,981 S *	8/1936	Biller	D26/129	
D109,899 S *	5/1938	McCabe	D26/135	
D169,972 S *	7/1953	Glatthar et al.	D26/89	
D178,212 S *	7/1956	Schreckengost	D26/89	
D307,642 S *	5/1990	DiCola	D26/85	
D549,385 S	8/2007	Lissoni			
D570,030 S *	5/2008	Starck	D26/88	
D620,188 S *	7/2010	Sabernig	D26/118	
D663,455 S *	7/2012	Glasbrenner	D26/59	

D760,368 S *	6/2016	Chen	D26/59	
D781,487 S *	3/2017	Starck	D26/89	
D788,969 S *	6/2017	Hendifar	D26/88	
D801,510 S *	10/2017	O’Connell	D23/377	
D807,488 S *	1/2018	McRoberts	D26/59	
D876,609 S *	2/2020	O’Connell	D26/89	

(Continued)

FOREIGN PATENT DOCUMENTS

CN	304097528 S	4/2017
CN	305150088 S	5/2019
CN	305198008 S	6/2019

(Continued)

OTHER PUBLICATIONS

Home Decorators Collection Banneret 52 in. LED Natural Iron Ceiling Fan with Light, available from homedepot.com as early as Apr. 30, 2019. (Year: 2019).*

(Continued)

Primary Examiner — Clare E Heflin

(74) *Attorney, Agent, or Firm* — McGarry Bair PC

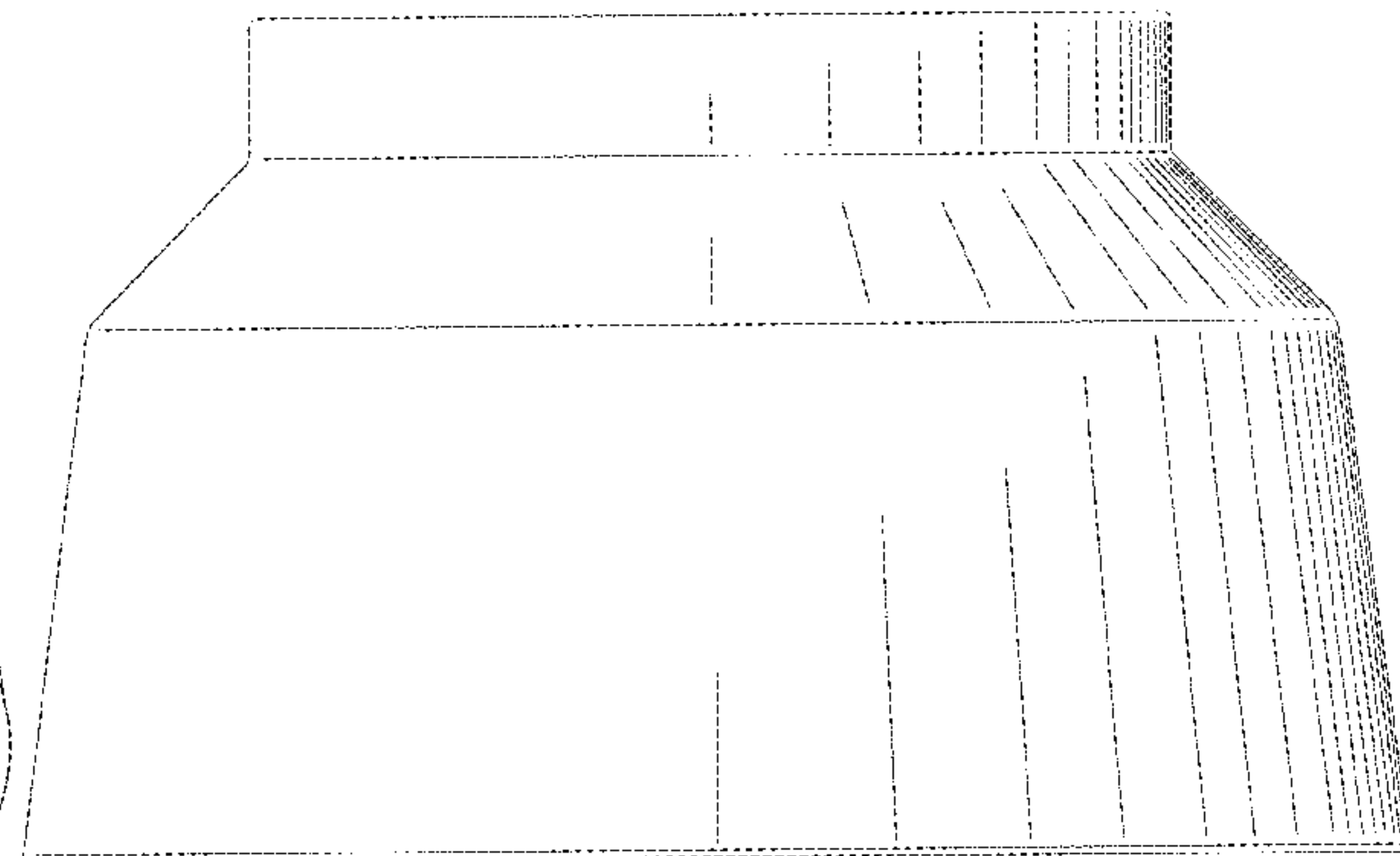
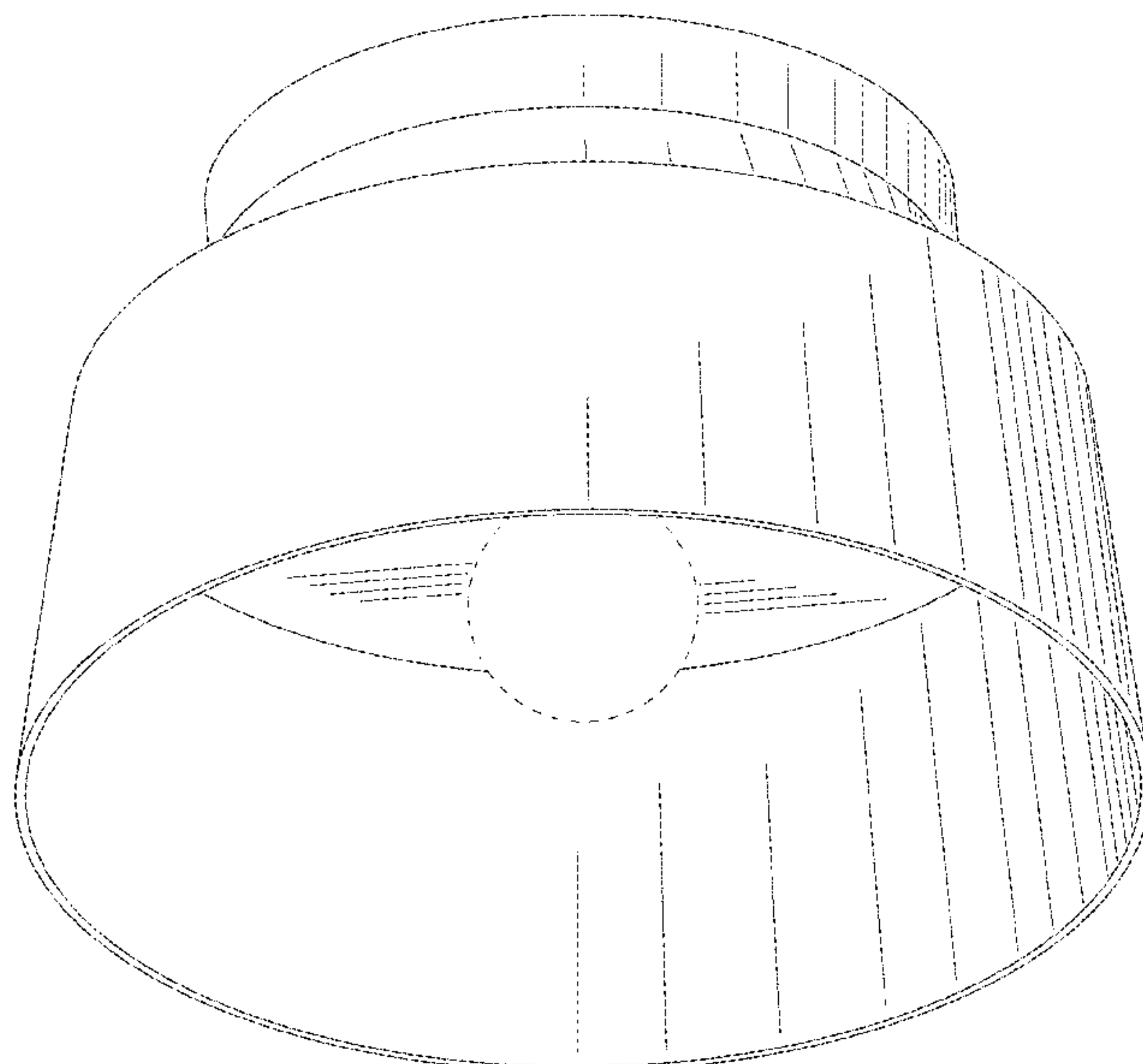
(57) **CLAIM**

The ornamental design for a light fixture, as shown and described.

DESCRIPTION

FIG. 1 is a top perspective view of a light fixture, showing our new design;
FIG. 2 is a bottom perspective view thereof;
FIG. 3 is a top view thereof;
FIG. 4 is a bottom view thereof; and,
FIG. 5 is a side view thereof.
Portions of the light fixture are shown in broken lines. Portions shown in broken lines form no part of the claimed design.

1 Claim, 5 Drawing Sheets



(56)

References Cited

U.S. PATENT DOCUMENTS

D921,253 S * 6/2021 McRoberts D26/59
 D939,133 S * 12/2021 McRoberts D26/118

FOREIGN PATENT DOCUMENTS

CN	305212578 S	6/2019	
JP	1316180	12/2007	
JP	1381085 S	3/2010	
JP	1404509 S	1/2011	
JP	1404510 S	1/2011	
JP	1426480 S	11/2011	
JP	1426486 S	11/2011	
JP	1513787 S	12/2014	
WO	WO-2015200664 A2 *	12/2015 F21S 8/043

OTHER PUBLICATIONS

Kichler, “Barrington 5 Light Chandelier Distressed Black & Wood”, web page <<https://www.kichler.com/kichler/products/indoor-lighting/chandeliers/1-tier-chandeliers/barrington-5-light-chandelier-dbk/>> viewed Mar. 25, 2020, 7 pages, US.

Quoizel, “Lounge Chandelier”, web page <<https://www.quoizel.com/lounge-chandelier-chandelierlge5005>> viewed Mar. 28, 2020, 2 pages, US.

Quoizel, “Buchanan Chandelier”, web page <<https://www.quoizel.com/buchanan-chandelier-chandelierbcn5006>> viewed Mar. 25, 2020, 2 pages, US.

Kichler, “Winslow 1 Light Mini Pendant Brushed Nickel”, web page <<https://www.kichler.com/kichler/products/indoor-lighting/pendants/mini-pendants/winslow-1-light-mini-pendant-ni/>> visited Mar. 25, 2020, 9 pages, US.

Quoizel, “Vaughn Mini Pendant” web page <<https://www.quoizel.com/interior/pendants/vaughn-mini-pendant-minipendantvghc1507>> visited Mar. 25, 2020, 2 pages, US.

Kichler, “Winslow 1 Light Semi Flush Brushed Nickel”, web page <<https://www.kichler.com/kichler/products/indoor-lighting/flush-mount-lights/semi-flush-mount-ceiling-lights/winslow-1-light-semi-flush-ni/>> visited Mar. 25, 2020, 5 pages, US.

Minka Group, “Country Estates—6 Light, 60W Candelabra Base”, web page <<https://www.minkagroup.net/4015-280.html>> visited Mar. 25, 2020, 5 pages, US.

Hudson Valley Lighting Group, “Charles”, web page <<https://www.hvlgroup.com/Product/3234-OB>> visited Mar. 25, 2020, 2 pages, US.

Minka Group, “Bridlewood—4 Light Semi-Flush”, web page <<https://www.minkagroup.net/4637-106.html>> visited Mar. 5, 2020, 5 pages, US.

Kichler, “Marita 6 Light Chandelier Brushed Nickel” web page <<https://www.kichler.com/kichler/products/indoor-lighting/chandeliers/1-tier-chandeliers/marita-6-light-chandelier-ni/>> visited Mar. 25, 2020, 8 pages, US.

Kichler, “Colerne 16.75 6 Light Linear Chandelier Clear Seeded Glass Auburn Stained”, web page <<https://www.kichler.com/kichler/products/indoor-lighting/chandeliers/linear-chandeliers/colerne-6-light-linear-chandelier-aub/>> visited Mar. 25, 2020, 8 pages, US.

Kichler, “Marimount 5 Light Linear Chandelier Auburn Stained” web page <<https://www.kichler.com/kichler/products/indoor-lighting/chandeliers/linear-chandeliers/linear-chandelier-5lt-1d1fcc2e/>> visited Mar. 25, 2020, 7 pages, US.

Eglo, “Maserlo LED Ceiling Fan”, web page <[https://www.eglo.com/usa_eng/Products3/Main-Collections/Interior-Lighting/MASERLO/31622A/\(node_id\)/115532/\(offset\)/240](https://www.eglo.com/usa_eng/Products3/Main-Collections/Interior-Lighting/MASERLO/31622A/(node_id)/115532/(offset)/240)> visited Mar. 25, 2020, 3 pages US.

Hudson Valley, “Audiophile”, web page <<https://www.hvlgroup.com/Product/F6152>> visited Mar. 25, 2020, 2 pages, US.

Hudson Valley, “Rise and Shine”, web page <<https://www.hvlgroup.com/Product/F5264>> visited Mar. 25, 2020, 2 pages, US.

Eglo, “Somerton”, web page <[https://www.eglo.com/usa_eng/Products3/Main-Collections/Interior-Lighting/SOMERTON-2/201605A/\(node_id\)/115532/\(offset\)/72](https://www.eglo.com/usa_eng/Products3/Main-Collections/Interior-Lighting/SOMERTON-2/201605A/(node_id)/115532/(offset)/72)> visited Mar. 25, 2020, 3 pages, US.

Quoizel, “Barres Pendant”, web page <<https://www.quoizel.com/interior/pendants/barres-pendant-qp4032ek>> visited Mar. 25, 2020, 2 pages, US.

Quoizel, “Wilmore Mini Pendant”, web page <<https://www.quoizel.com/interior/pendants/wilmore-mini-pendant-qpp3397ek>> visited Mar. 25, 2020, 2 pages, US.

Kichler, “Avery”, web page <<https://www.kichler.com/kichler/products/indoor-lighting/wall-sconces/wall-lights-with-arms/avery-1-light-wall-sconce-ni/>>, visited Mar. 25, 2020, 7 pages, US.

Minka, “1 Light Pendant”, web page <<https://www.minkagroup.net/p422-084.html>> visited Mar. 25, 2020, 5 pages, US.

Minka, “Studio 5”, web page <<https://www.minkagroup.net/3078-416.html>> visited Mar. 25, 2020, 6 pages, US.

Minka, “City Club”, web page <<https://www.minkagroup.net/4952-267b.html>> visited Mar. 25, 2020, 5 pages, US.

Eglo, “Beramo”, web page <[https://www.eglo.com/usa_eng/Products3/Main-Collections/Interior-Lighting/BERAMO/200898A/\(node_id\)/115532/\(offset\)/24](https://www.eglo.com/usa_eng/Products3/Main-Collections/Interior-Lighting/BERAMO/200898A/(node_id)/115532/(offset)/24)> visited Mar. 25, 2020, 2 pages, US.

Eglo, Marghera, web page <[https://www.eglo.com/usa_eng/Products3/Main-Collections/Interior-Lighting/MARGHERA/202267A/\(node_id\)/115532/\(offset\)/120](https://www.eglo.com/usa_eng/Products3/Main-Collections/Interior-Lighting/MARGHERA/202267A/(node_id)/115532/(offset)/120)> visited Mar. 25, 2020, 2 pages, US.

Eglo, “Coretto”, web page <[https://www.eglo.com/usa_eng/Products3/Main-Collections/Interior-Lighting/CORETTO/92716A/\(node_id\)/115532/\(offset\)/408](https://www.eglo.com/usa_eng/Products3/Main-Collections/Interior-Lighting/CORETTO/92716A/(node_id)/115532/(offset)/408)> visited Mar. 25, 2020, 3 pages, US.

Eglo, “Musero”, web page <[https://www.eglo.com/usa_eng/Products3/Main-Collections/Interior-Lighting/MUSERO/93793A/\(node_id\)/115532/\(offset\)/468](https://www.eglo.com/usa_eng/Products3/Main-Collections/Interior-Lighting/MUSERO/93793A/(node_id)/115532/(offset)/468)> visited Mar. 25, 2020, 2 pages, US.

Eglo, “Ontaneda”, web page <[https://www.eglo.com/usa_eng/Products3/Main-Collections/Interior-Lighting/ONTANEDA-1/95692A/\(node_id\)/115532/\(offset\)/552](https://www.eglo.com/usa_eng/Products3/Main-Collections/Interior-Lighting/ONTANEDA-1/95692A/(node_id)/115532/(offset)/552)> visited Mar. 25, 2020, 2 pages, US.

Eglo, “Tabanera”, web page <[https://www.eglo.com/usa_eng/Products3/Main-Collections/Interior-Lighting/TABANERA/96801A/\(node_id\)/115532/\(offset\)/564](https://www.eglo.com/usa_eng/Products3/Main-Collections/Interior-Lighting/TABANERA/96801A/(node_id)/115532/(offset)/564)> visited Mar. 25, 2020, 2 pages, US.

Wglo, “Tabanera”, web page <[https://www.eglo.com/usa_eng/Products3/Main-Collections/Interior-Lighting/TABANERA/96802A/\(node_id\)/115532/\(offset\)/564](https://www.eglo.com/usa_eng/Products3/Main-Collections/Interior-Lighting/TABANERA/96802A/(node_id)/115532/(offset)/564)>, visited Mar. 25, 2020, 2 pages, US.

Hudson Valley, “Windham”, web page <<https://www.hvlgroup.com/Product/3421-SN>> visited Mar. 25, 2020, 3 pages, US.

Hudson Valley, “Gemma”, web page <<https://www.hvlgroup.com/Product/1420-OB>> visited Mar. 25, 2020, 1 page, US.

Hudson Valley, “Hudson Falls”, web page <<https://www.hvlgroup.com/Product/8610-BPN>> visited Mar. 25, 2020, 2 pages, US.

Hudson Valley, “Key West”, web page <<https://www.hvlgroup.com/Product/C6940>> visited Mar. 25, 2020, 1 page, US.

Hudson Valley, “Megan”, web page <<https://www.hvlgroup.com/Product/H339701-PN/MW>> visited Mar. 25, 2020, 1 page, US.

Hudson Valley, “Metal No. 1”, web page <<https://www.hvlgroup.com/Product/MDS900-ADB>> visited Mar. 25, 2020, 1 page, US.

Hudson Valley, “Nemo”, web page <<https://www.hvlgroup.com/Product/H128701A-POC>> visited Mar. 25, 2020, 2 pages, US.

Hudson Valley, “Nora”, web page <<https://www.hvlgroup.com/Product/H159701-POC>> visited Mar. 25, 2020, 2 pages, US.

Hudson Valley, “Sausalito”, web page <<https://www.hvlgroup.com/Product/C1280DB>> visited Mar. 25, 2020, 2 pages, US.

Quoizel, “Grant Mini”, web page <<https://www.quoizel.com/interior/pendants/grant-mini-pendant-minipendantgrt1508>> visited Mar. 25, 2020, 2 pages, US.

Quoizel, “Landings Flush Mount”, web page <<https://www.quoizel.com/interior/ceiling-lighting/landings-flush-mount-ind1616mc>> visited Mar. 25, 2020, 2 pages, US.

Quoizel, “Laguna Flush Mount”, web page <<https://www.quoizel.com/interior/ceiling-lighting/laguna-flush-mount-mclg1616rc>> visited Mar. 25, 2020, 3 pages, US.

Quoizel, “Bethany Semi Flush Mount”, web page <<https://www.quoizel.com/interior/ceiling-lighting/bethany-semi-flush-mount-qp5121bn>> visited Mar. 25, 2020, 2 pages, US.

Quoizel, “Trilogy Flush Mount”, web page <<https://www.quoizel.com/interior/ceiling-lighting/trilogy-flush-mount-flushmount-trg1612>> visited Mar. 25, 2020, 2 pages, US.

(56)

References Cited

OTHER PUBLICATIONS

Quoizel, "Wimberly Semi Flush Mount", web page <<https://www.quoizel.com/interior/ceiling-lighting/wimberly-semi-flush-mount-semiflushmountqf5113>> visited Mar. 25, 2020, 2 pages, US.

Kichler, "Montauk 1 Light Mini Pendant", web page <<https://www.kichler.com/kichler/products/indoor-lighting/pendants/mini-pendants/montauk-1-light-mini-pendant-lbl/>> visited Aug. 13, 2019, 5 pages, US.

* cited by examiner

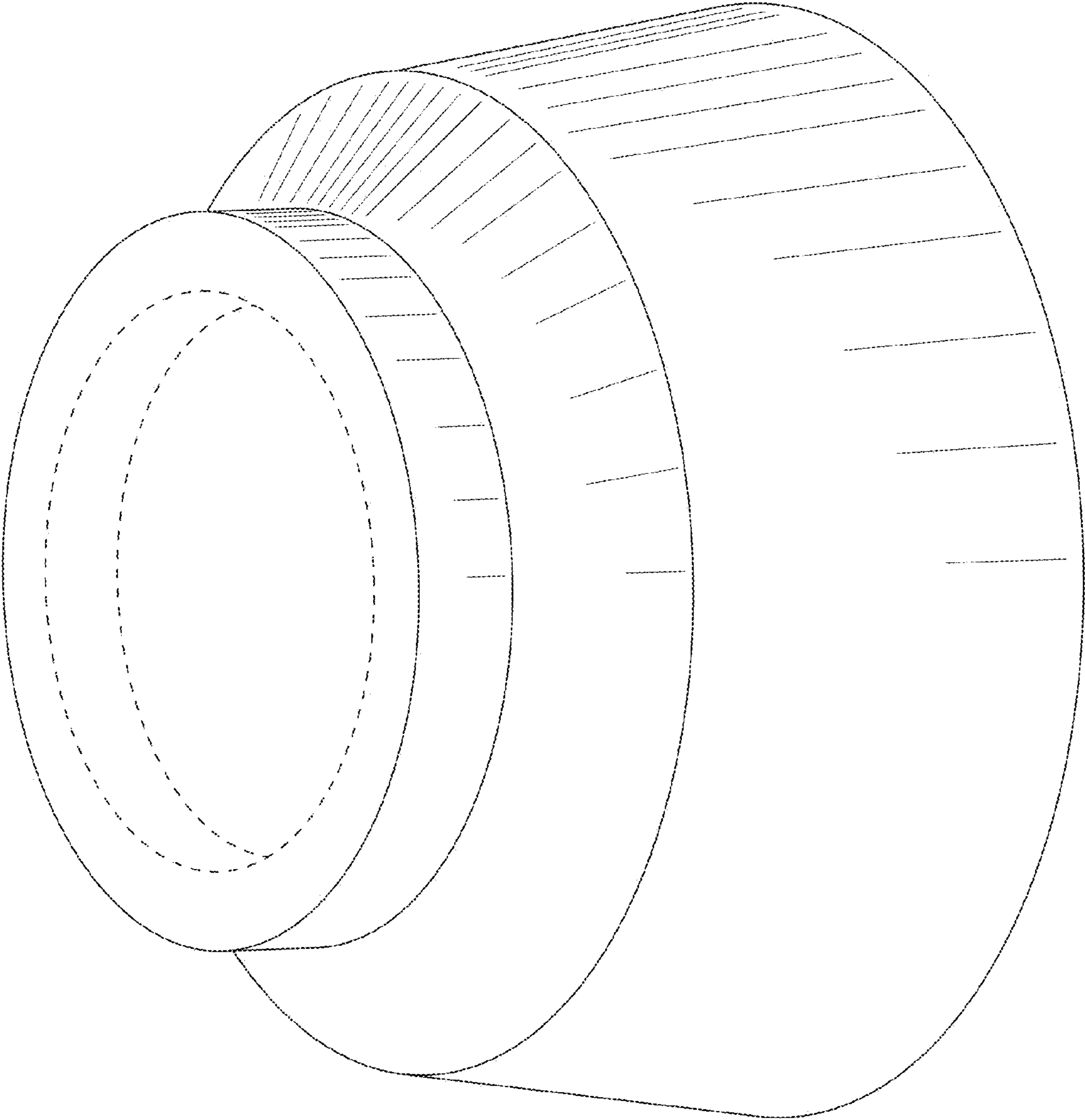


FIG. 1

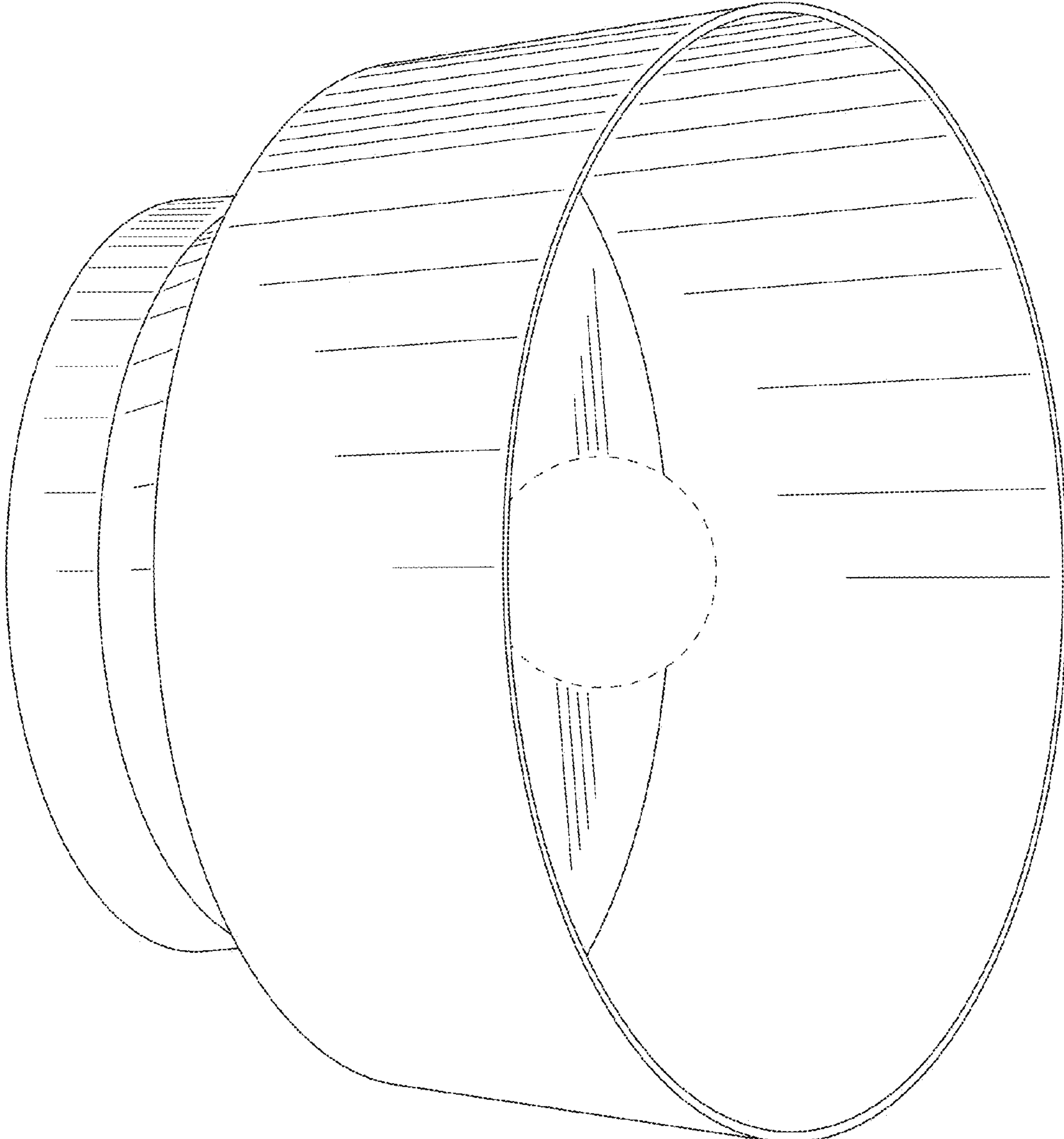


FIG. 2

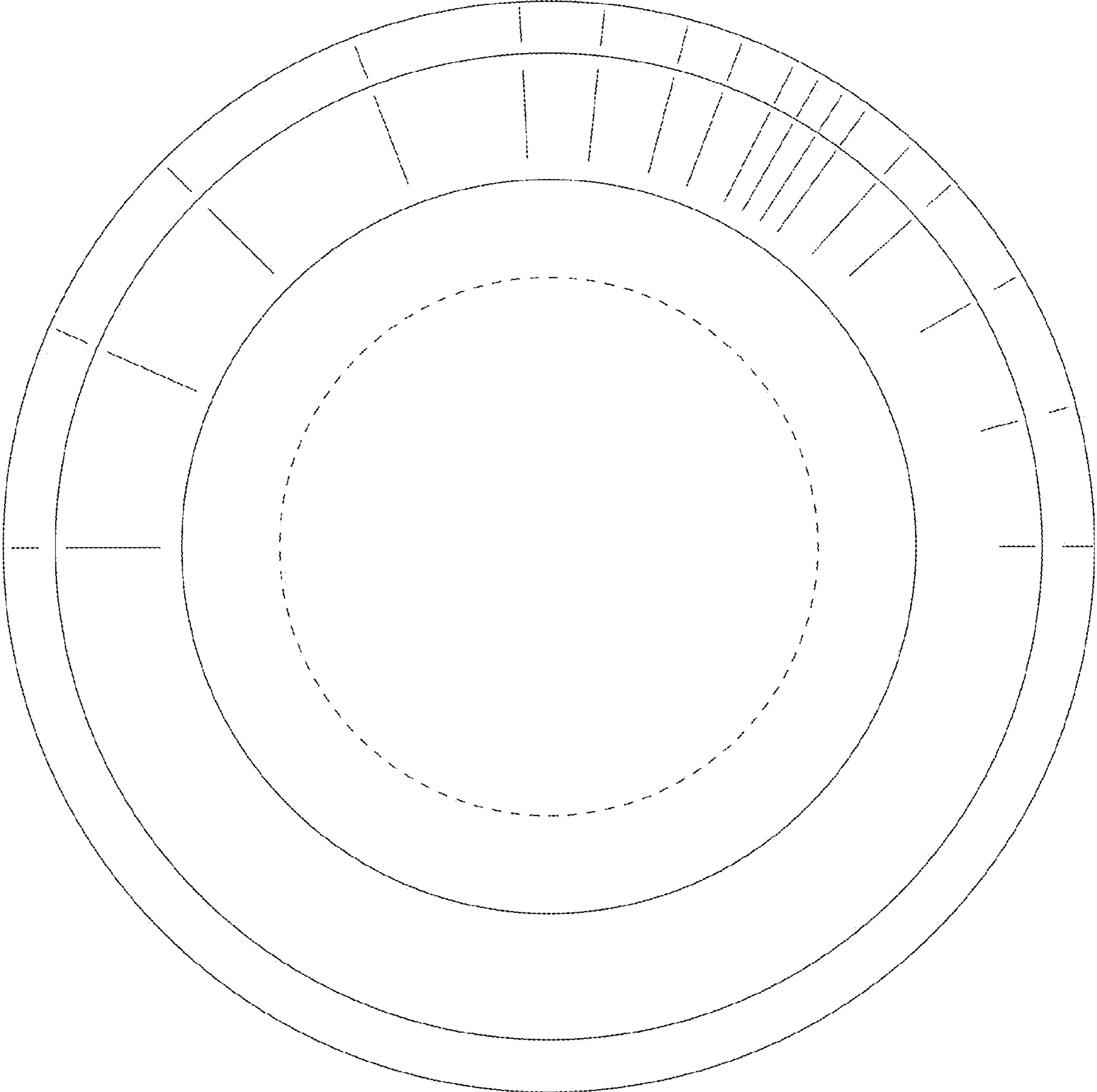


FIG. 3

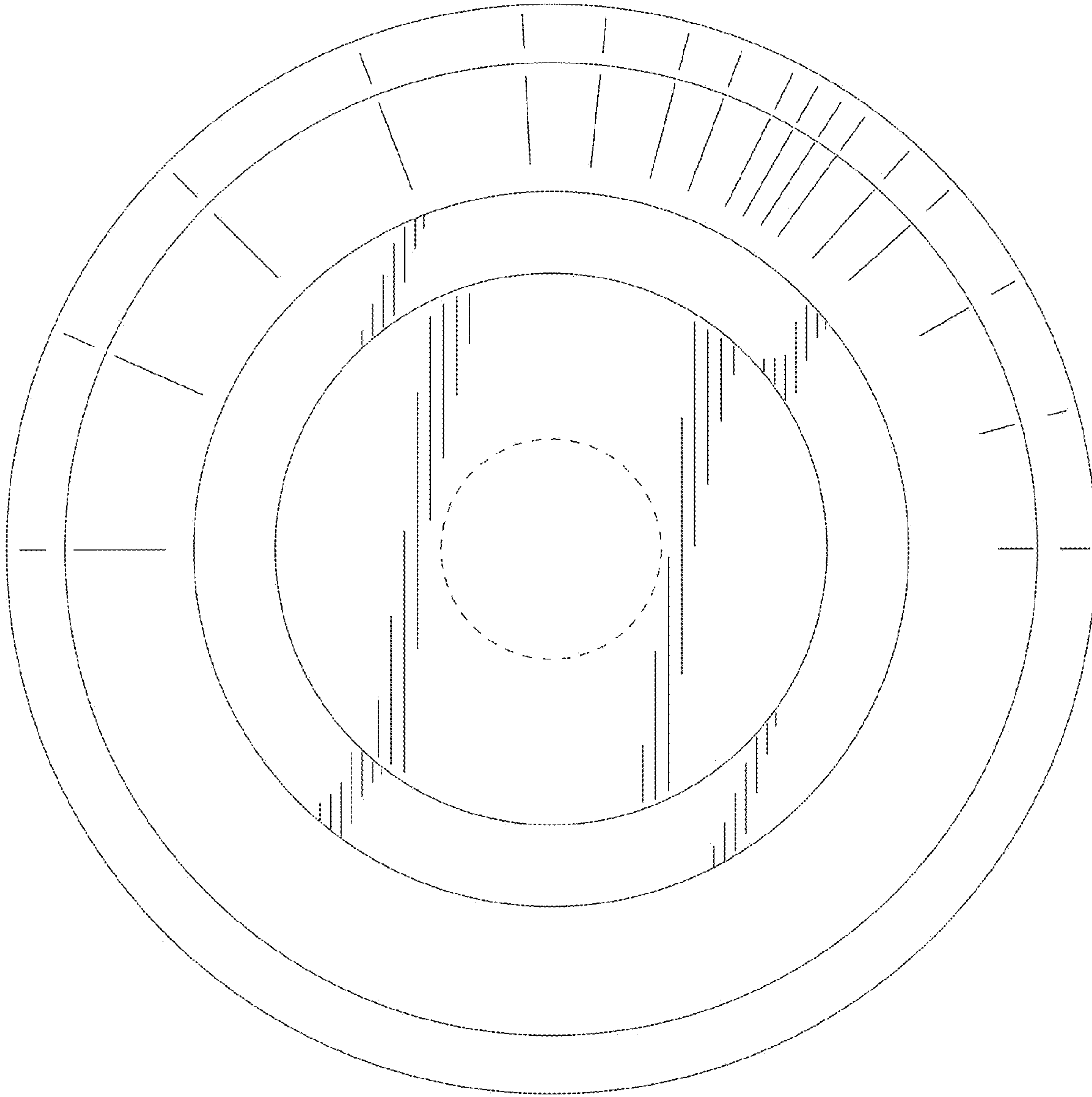


FIG. 4

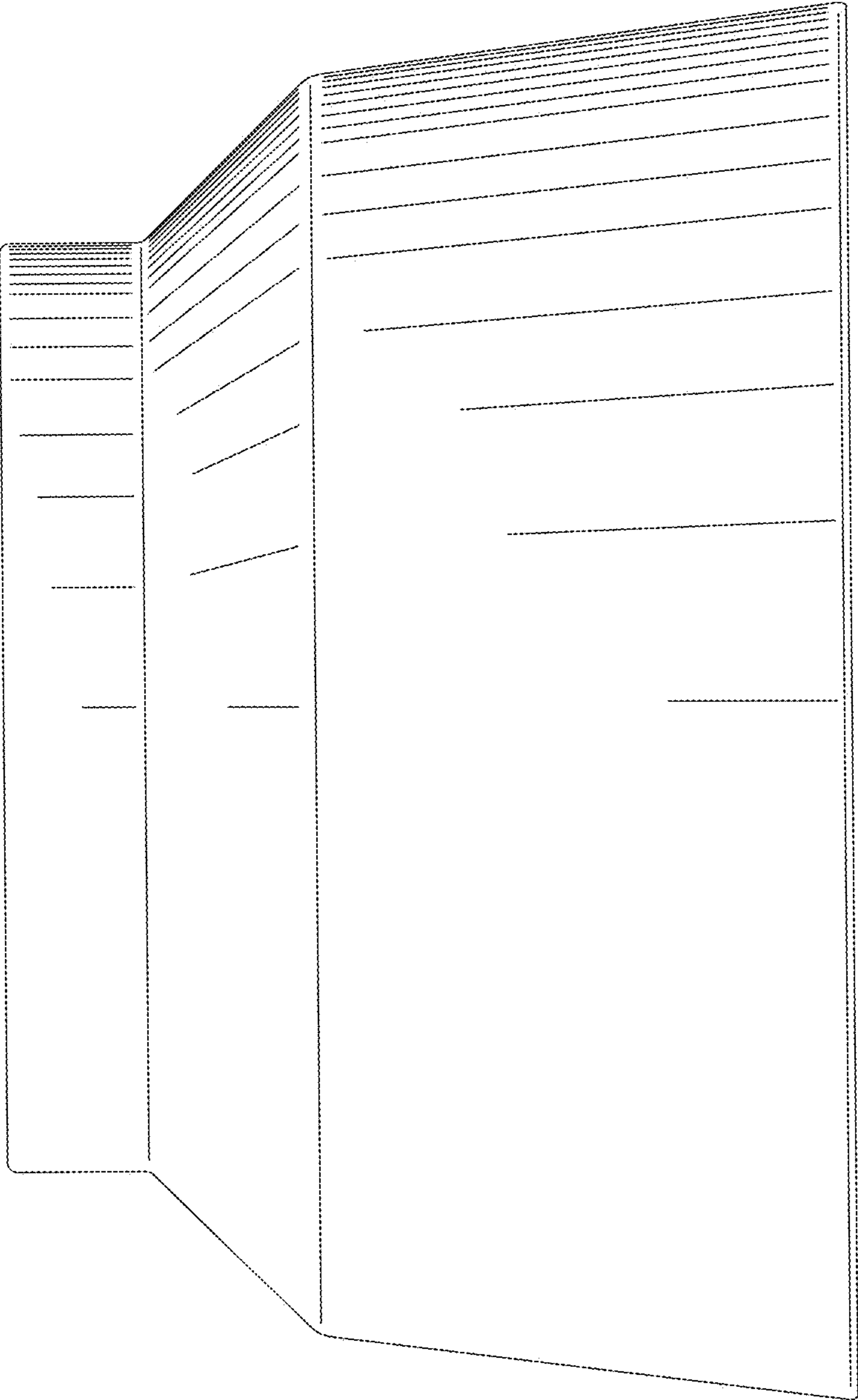


FIG. 5