



US00D955624S

(12) **United States Design Patent** (10) **Patent No.:** **US D955,624 S**
Liu (45) **Date of Patent:** **** Jun. 21, 2022**

(54) **LIGHT**

OTHER PUBLICATIONS

(71) Applicant: **Jiangmen Goodia Lighting Technology Co., Ltd.**, Jiangmen (CN)

(72) Inventor: **Shouhui Liu**, Jiangmen (CN)

(**) Term: **15 Years**

(21) Appl. No.: **29/739,901**

(22) Filed: **Jun. 30, 2020**

(51) **LOC (13) Cl.** **26-05**

(52) **U.S. Cl.**
USPC **D26/87**

(58) **Field of Classification Search**
USPC D26/72, 80, 81, 82, 84-90, 92
CPC F21S 8/04; F21S 8/043; F21S 8/046; F21S 8/06; F21S 8/061; F21S 8/063; F21S 8/065; F21S 8/066; F21S 8/068
See application file for complete search history.

Letsun, Polished Chrome Vanity Light. First available Jul. 2, 2021. Searched on Apr. 8, 2022. [https://www.amazon.com/Bathroom-Lighting-Fixtures-Stainless-Glass-Like/dp/B08C7588MS] (Year: 2021).*

Z-lite, LED Chrome Peak Vanity Light. First available Sep. 27, 2017. Searched on Apr. 8, 2022. [https://www.amazon.com/1920-5V-CH-LED-Chrome-Integrated-Bathroom-Vanity/dp/B075ZBVFR8] (Year: 2017).*

Elan, Pandora LED Mosaic Vanity Light. First available unknown. Searched on Apr. 8, 2022. [https://lightsonline.com/elan-83726-pandora-175-3-light-led-mosaic-acrylic-bath-vanity-in-chrome] (Year: 2022).*

* cited by examiner

Primary Examiner — Samantha Q Lawrence
Assistant Examiner — Melissa Adriane Santos
(74) *Attorney, Agent, or Firm* — Rumit Ranjit Kanakia

(57) **CLAIM**

I claim the ornamental design for a light, as shown and described.

(56) **References Cited**

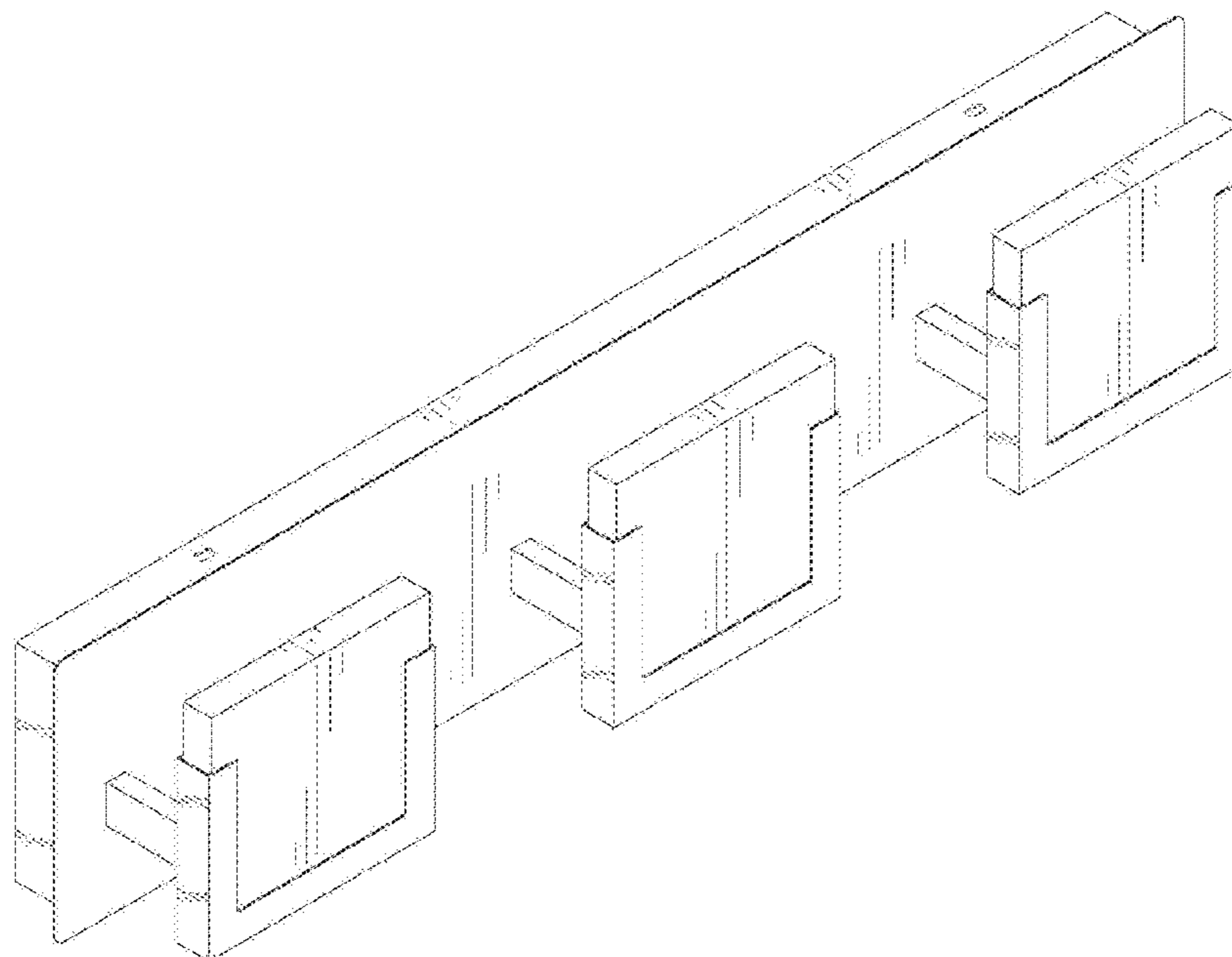
DESCRIPTION

U.S. PATENT DOCUMENTS

D236,238 S *	8/1975	Larsson	D6/407
D419,350 S *	1/2000	Baron	D6/553
D608,488 S *	1/2010	Miranda	D26/86
D646,424 S *	10/2011	Ho	D26/85
D701,634 S *	3/2014	Tomlinson	D26/85
D816,882 S *	5/2018	Qiao	D26/86
D816,891 S *	5/2018	Sonneman	D26/118
D869,730 S *	12/2019	Lin	D26/80
D879,353 S *	3/2020	Lin	D26/86
D898,269 S *	10/2020	Huang	D26/86
D908,265 S *	1/2021	Zheng	D26/86
D914,266 S *	3/2021	Wang	D26/87
D917,768 S *	4/2021	Chen	D26/87
D933,873 S *	10/2021	Lin	D26/80

FIG. 1 is a Perspective view of a light showing my new design;
FIG. 2 is Back perspective view thereof;
FIG. 3 is a Front view thereof;
FIG. 4 is a Back view thereof;
FIG. 5 is a Right-side view thereof;
FIG. 6 is a Left-side view thereof;
FIG. 7 is a Top view thereof; and,
FIG. 8 is a Bottom thereof.
The broken lines are for the purpose of illustrating portions of the article that form no part of the claim.

1 Claim, 8 Drawing Sheets



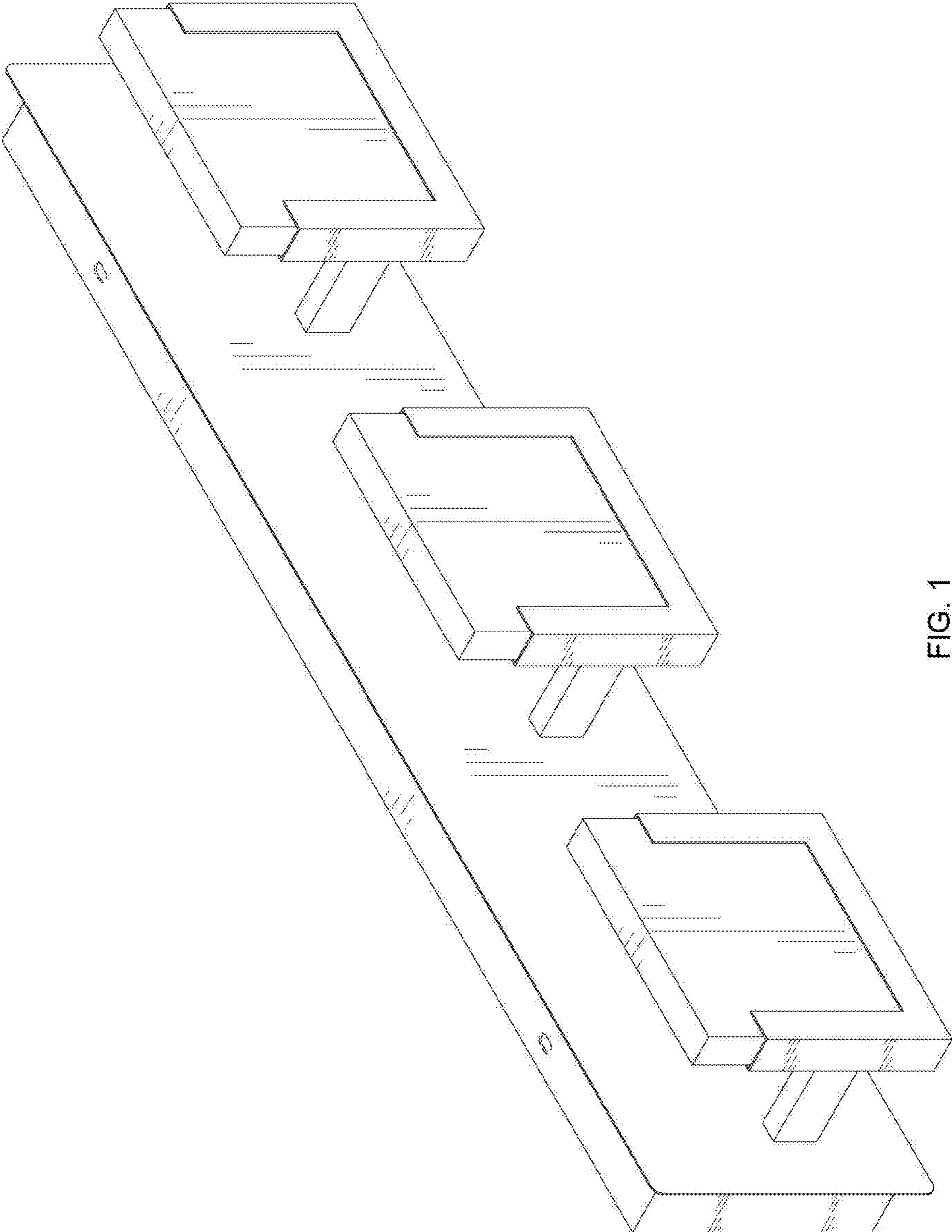


FIG. 1

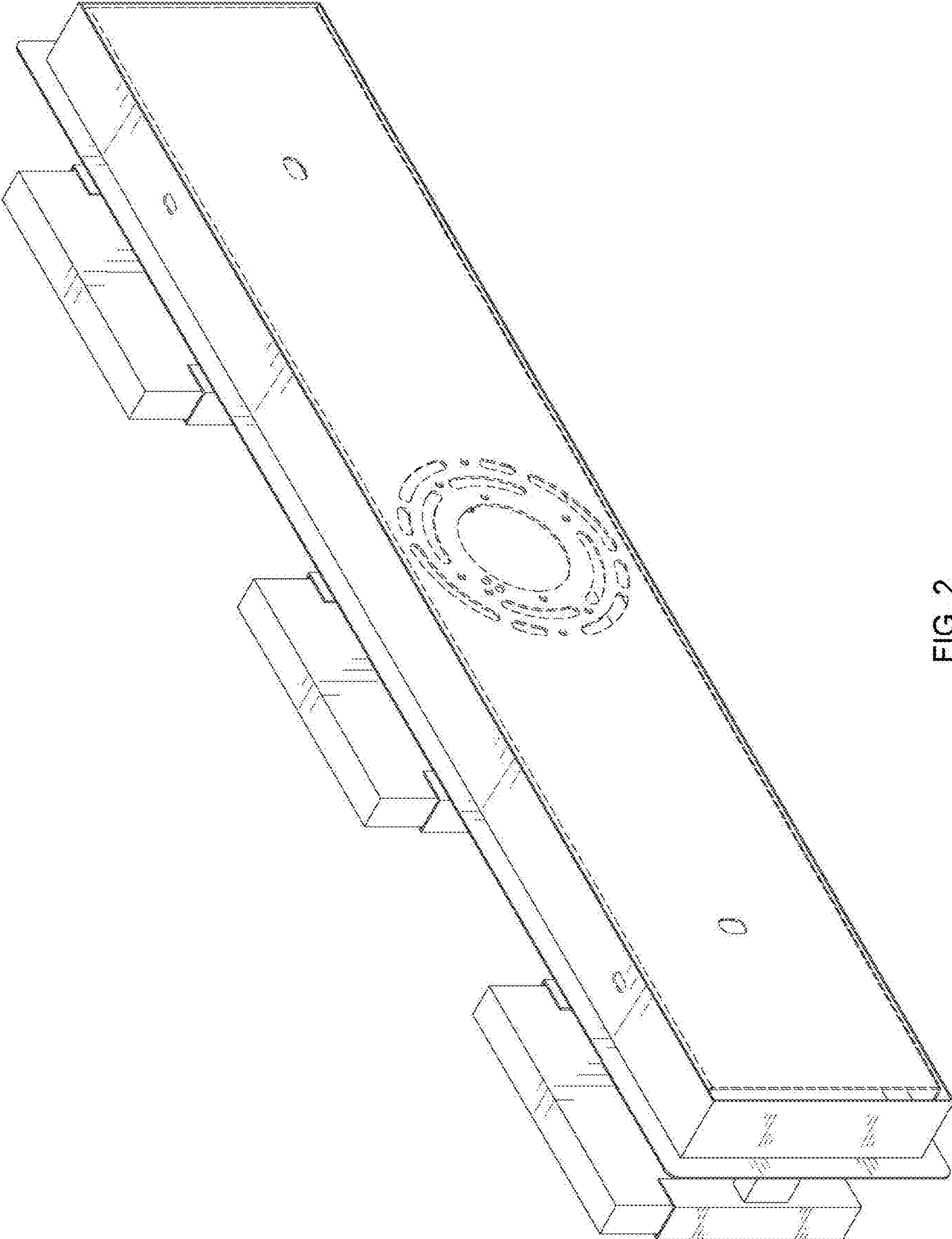


FIG. 2

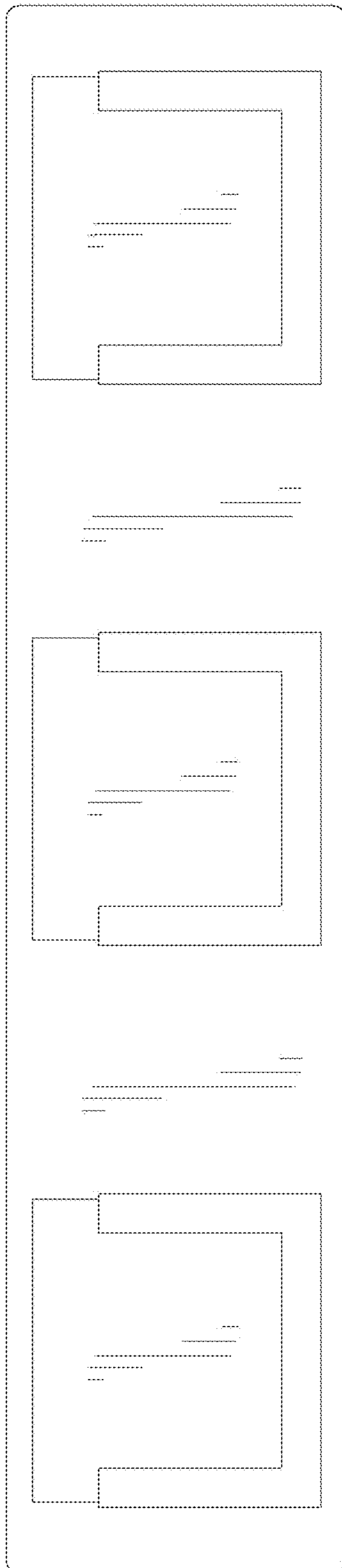


FIG. 3

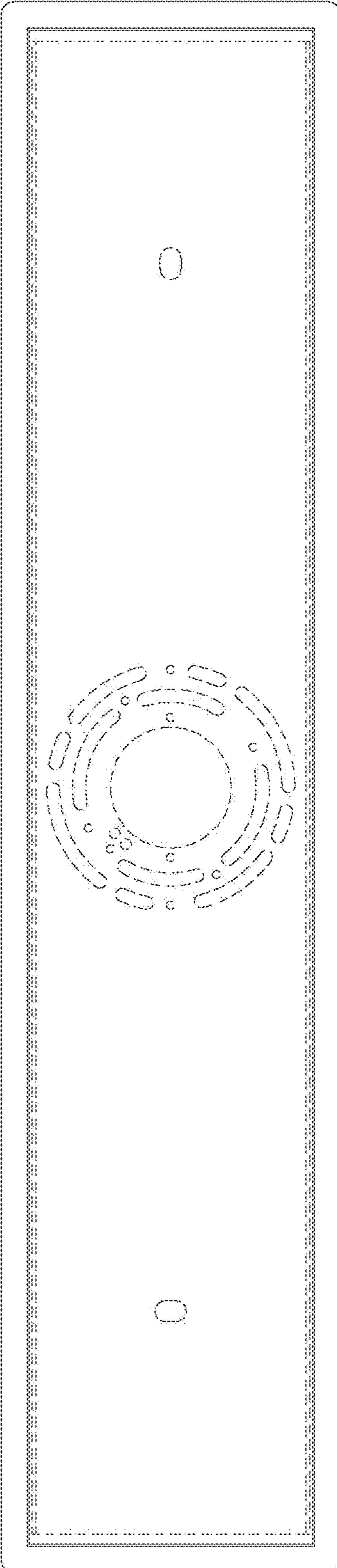


FIG. 4

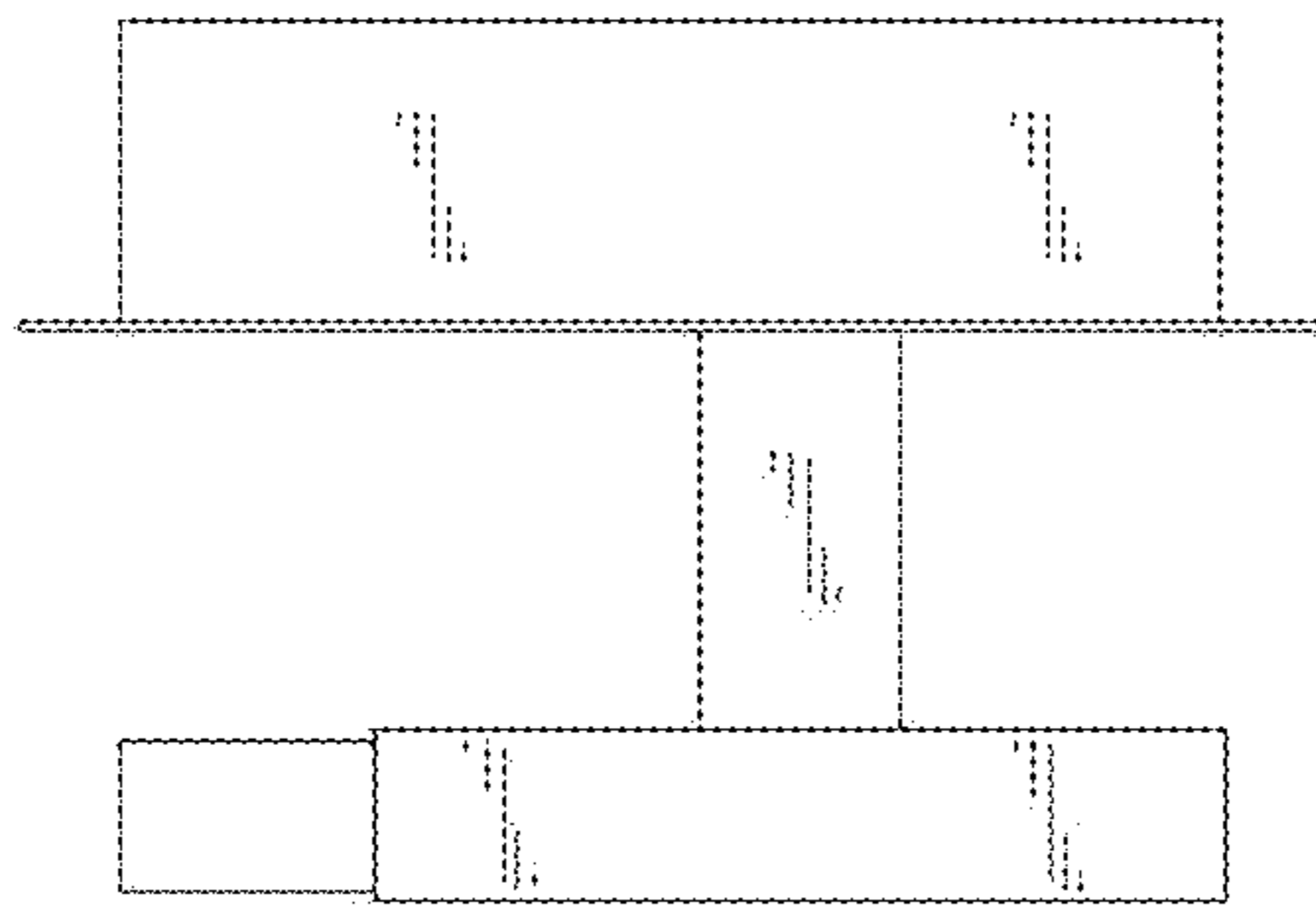


FIG. 5

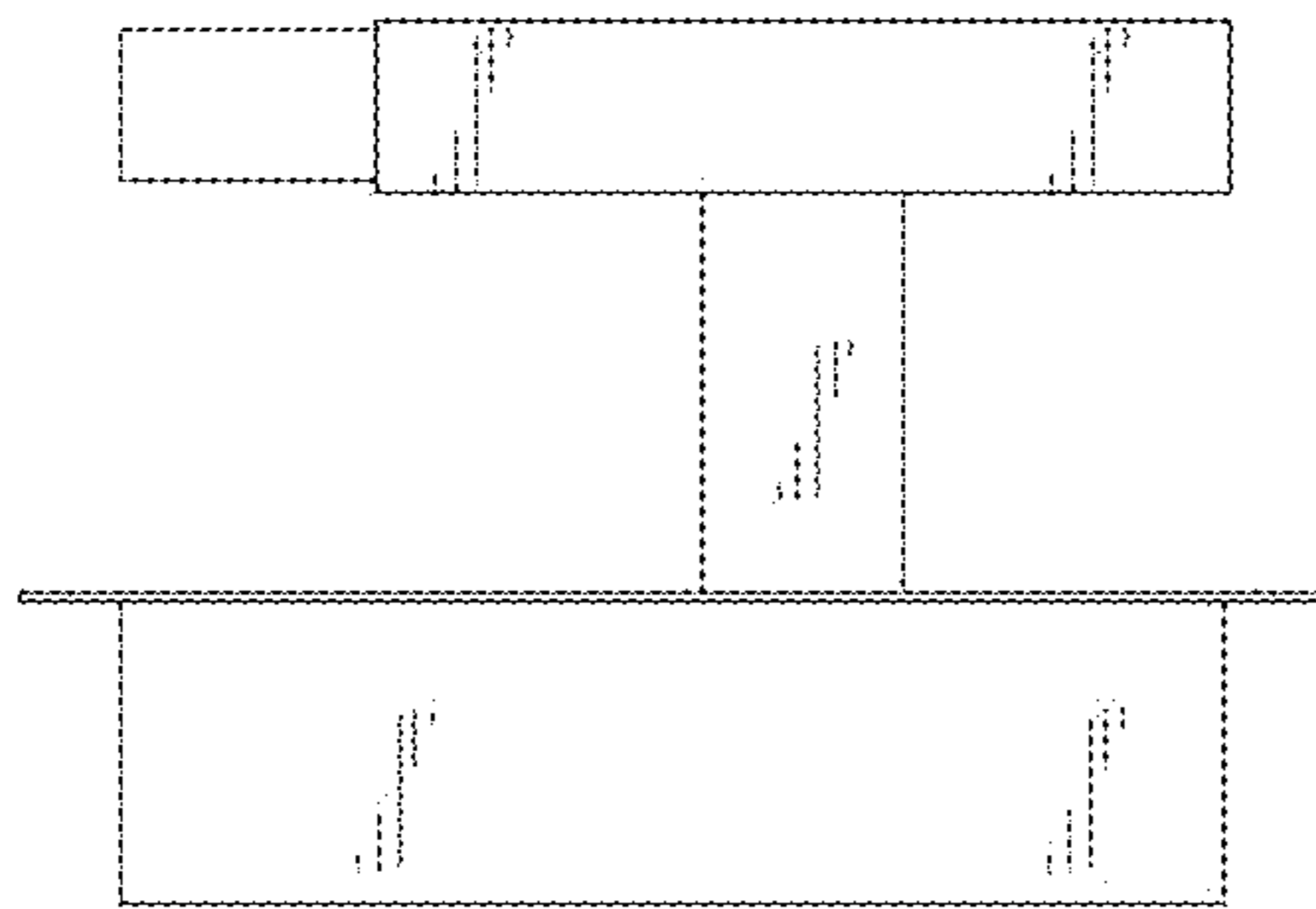


FIG. 6

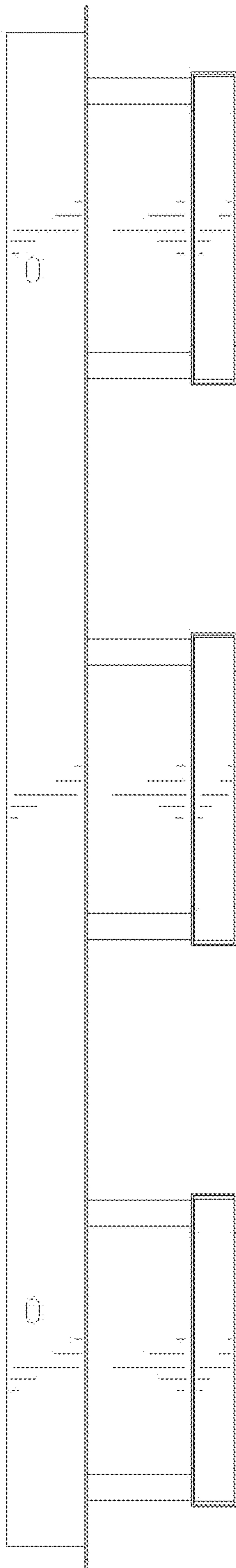


FIG. 7

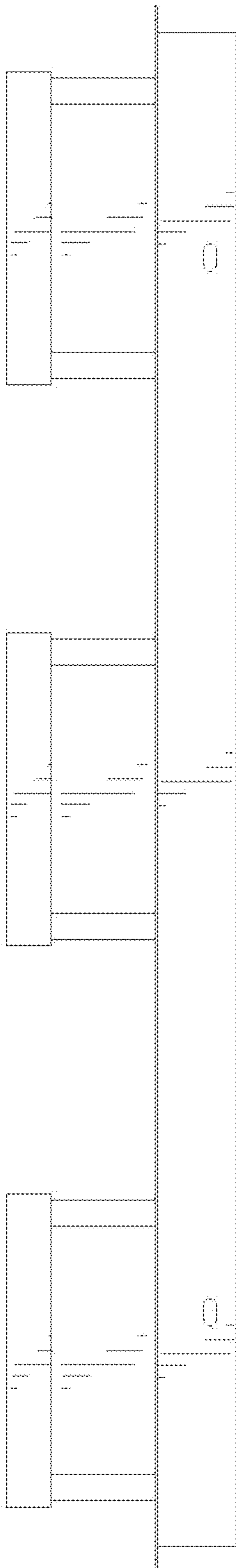


FIG. 8