



US00D955619S

(12) **United States Design Patent** (10) **Patent No.:** **US D955,619 S**
Lu (45) **Date of Patent:** **** Jun. 21, 2022**

(54) **HEAD LIGHT**

(71) Applicant: **Xun Lu**, Ningbo (CN)

(72) Inventor: **Xun Lu**, Ningbo (CN)

(**) Term: **15 Years**

(21) Appl. No.: **29/763,540**

(22) Filed: **Dec. 23, 2020**

(51) **LOC (13) Cl.** **26-02**

(52) **U.S. Cl.**

USPC **D26/39**

(58) **Field of Classification Search**

USPC D26/24, 37-52, 113, 118-119, 138

CPC F21Y 2115/10; F21Y 2113/13; F21Y

2115/30; F21Y 2113/10; F21Y 2105/12;

F21Y 2107/00; F21Y 2113/00; F21Y

2113/17; F21Y 2113/20; F21Y 2115/00;

F21V 21/084; F21V 23/0414; F21V

23/0492; F21V 23/002; F21V 21/0816;

F21V 21/30; F21V 23/003; F21V

23/0471; F21V 14/06; F21V 15/01; F21V

17/02; F21V 21/096; F21V 21/0965;

F21V 21/145; F21V 23/023; F21V

23/0442; F21V 14/02; F21V 14/025;

F21V 14/04; F21V 17/007; F21V 17/06;

F21V 17/12; F21V 21/002; F21V

21/0885; F21V 21/10; F21V 23/007;

F21V 23/02; F21V 23/0464; F21V

23/0478; F21V 23/0485; F21V 29/15;

F21V 29/70; F21V 33/0008; F21V 5/004;

F21V 5/006; F21V 5/008; F21V 5/08;

F21V 7/00; F21V 7/09; F21V 9/30

See application file for complete search history.

(56) **References Cited**

U.S. PATENT DOCUMENTS

D693,040 S * 11/2013 Svensson D26/39

D812,793 S * 3/2018 Huang D26/39

D814,676 S * 4/2018 Windom D26/39

D845,526 S * 4/2019 Windom D26/39
D861,212 S * 9/2019 Windom D26/39
D884,234 S * 5/2020 Bao D26/39
D919,145 S * 5/2021 Gao D26/39
D929,006 S * 8/2021 Yan D26/39
D932,671 S * 10/2021 Bertken D26/39
2009/0323317 A1 * 12/2009 Spartano F21V 23/0414
362/105

FOREIGN PATENT DOCUMENTS

CN 300937103 * 6/2009

OTHER PUBLICATIONS

3 Packs Rechargeable Headlamp. By Cadai. Dated Nov. 2, 2020. Found online [Feb. 2, 2022]. <https://www.amazon.com/Cadai-Rechargeable-Flashlight-Lightweight-Comfortable/dp/B08MFS996T> (Year: 2020).*

* cited by examiner

Primary Examiner — Marissa J Cash

Assistant Examiner — William B Melliar

(57) **CLAIM**

The ornamental design for a head light, as shown and described.

DESCRIPTION

FIG. 1 is a first perspective view of a head light showing my new design;

FIG. 2 is a second perspective view thereof;

FIG. 3 is a front view thereof;

FIG. 4 is a back view thereof;

FIG. 5 is a left side view thereof;

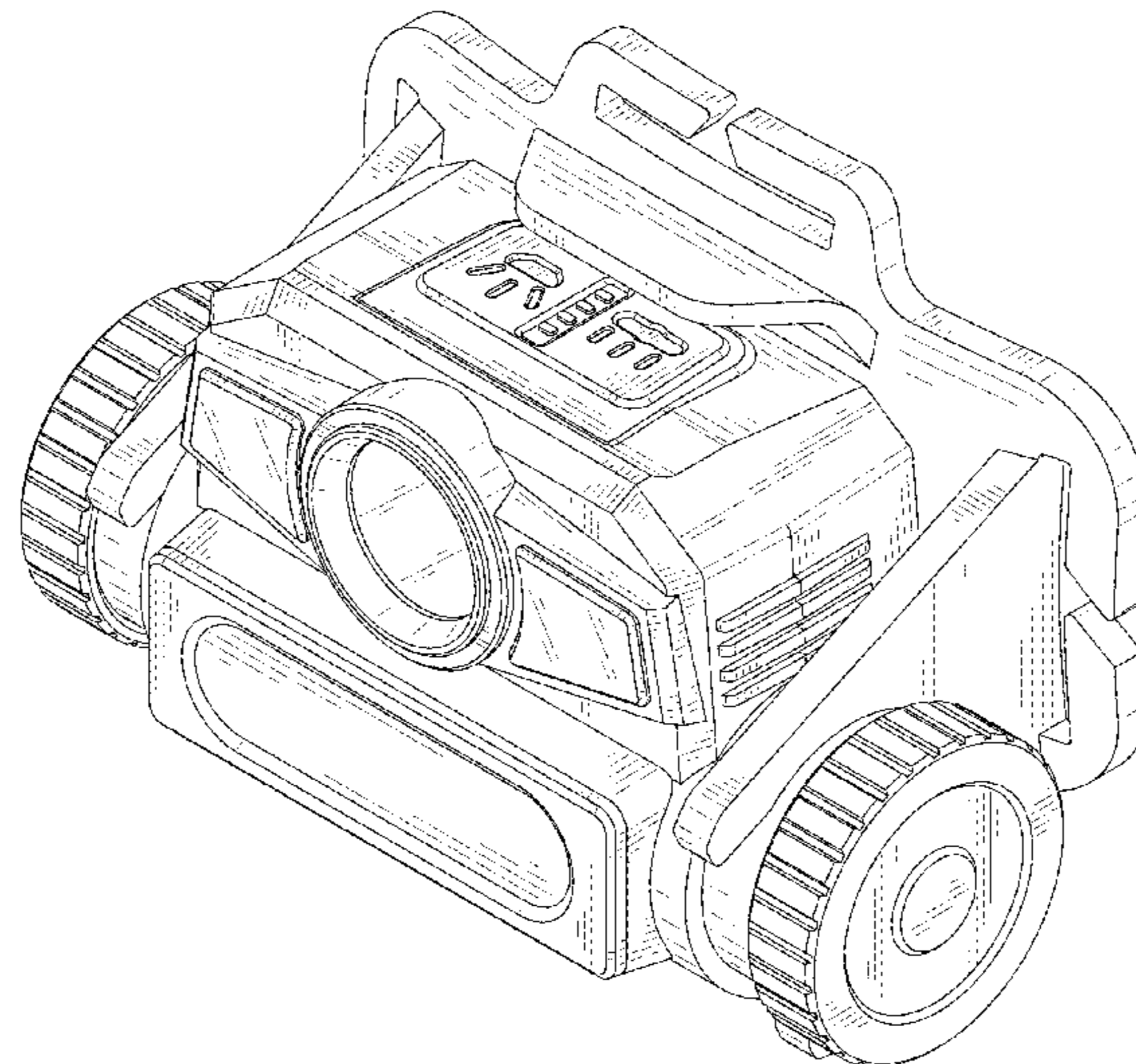
FIG. 6 is a right side view thereof;

FIG. 7 is a top view thereof; and,

FIG. 8 is a bottom view thereof.

The broken lines shown in the drawings depict portions of the head light in which the design is embodied that form no part of the claimed design.

1 Claim, 8 Drawing Sheets



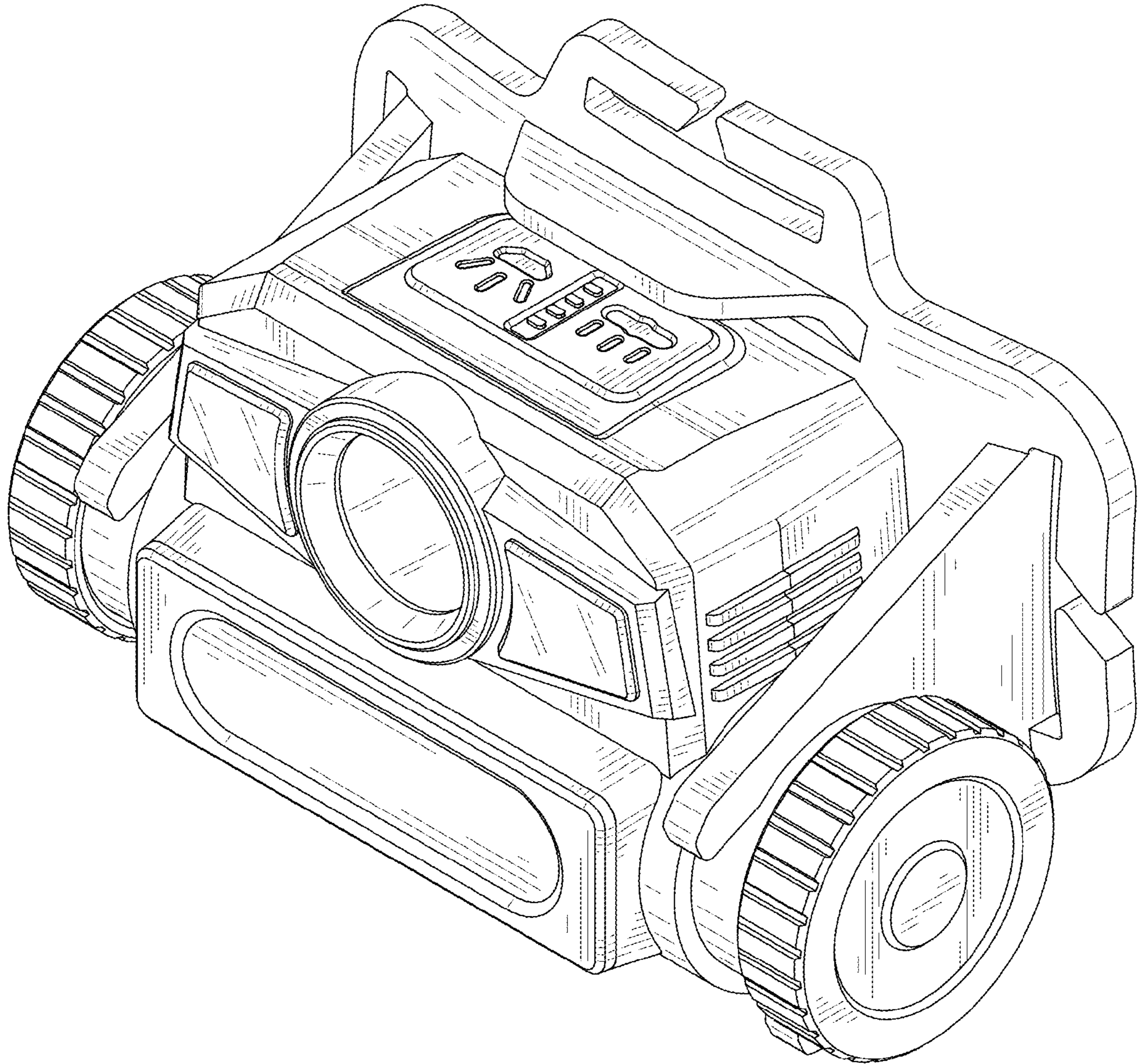


FIG. 1

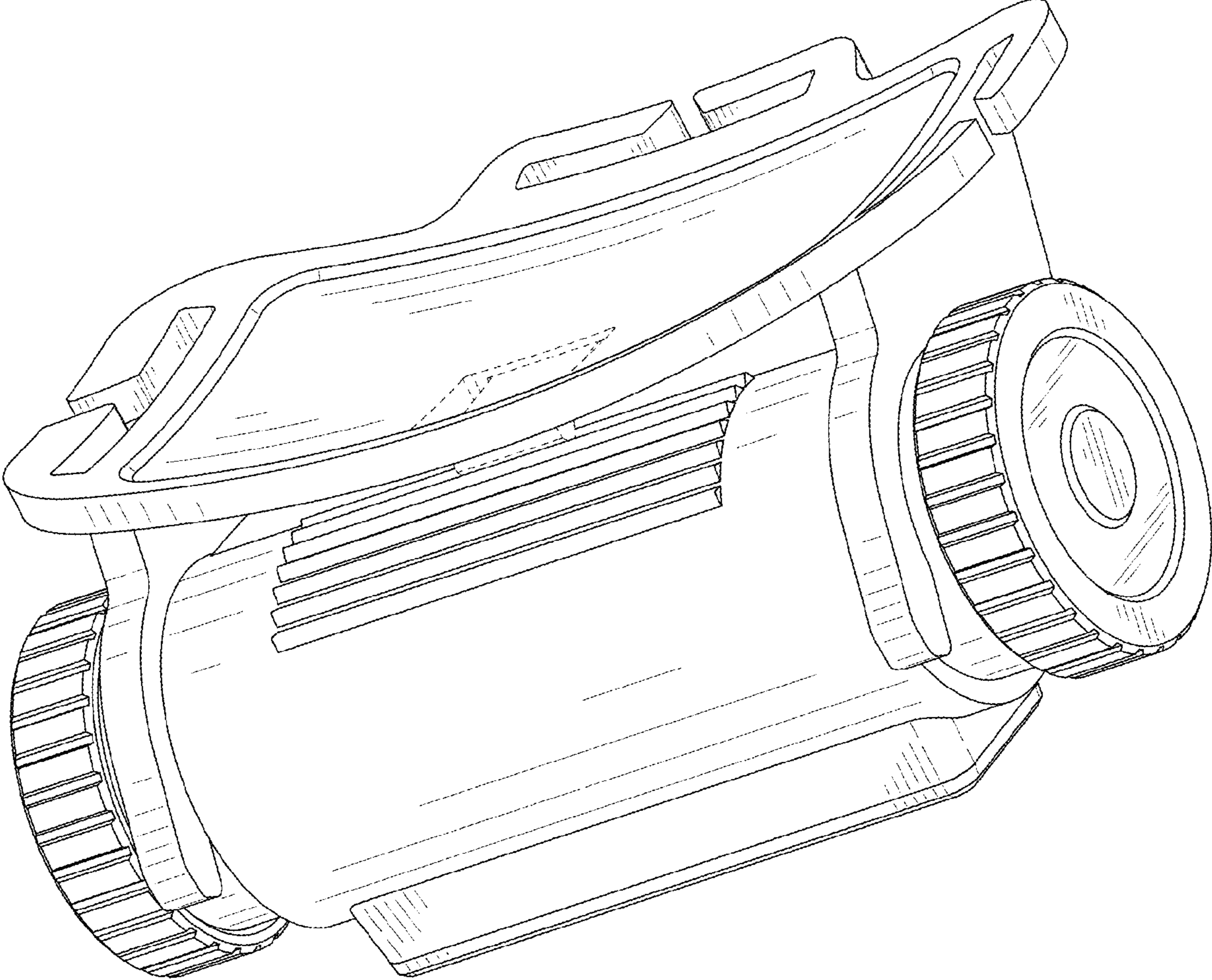


FIG. 2

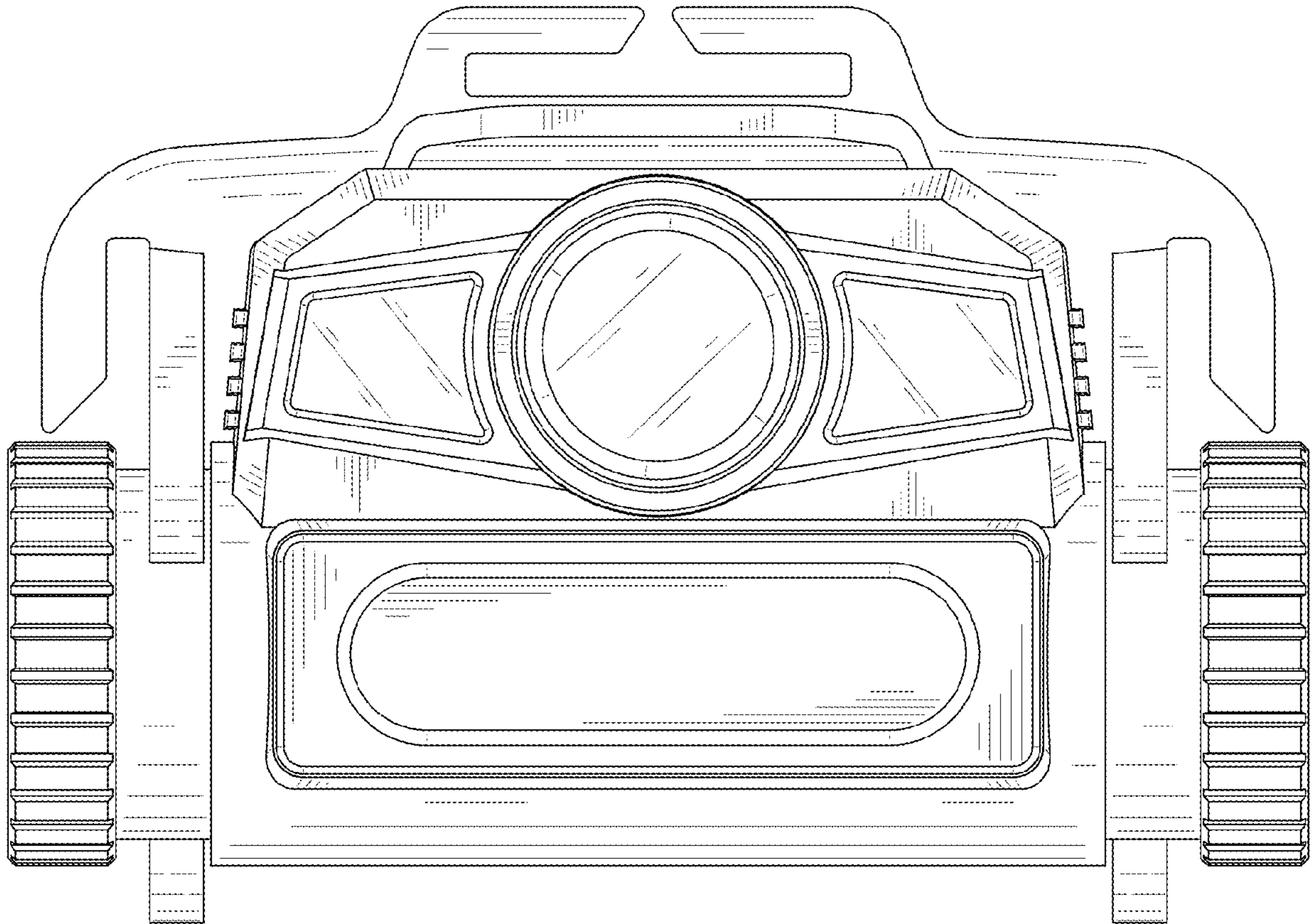


FIG. 3

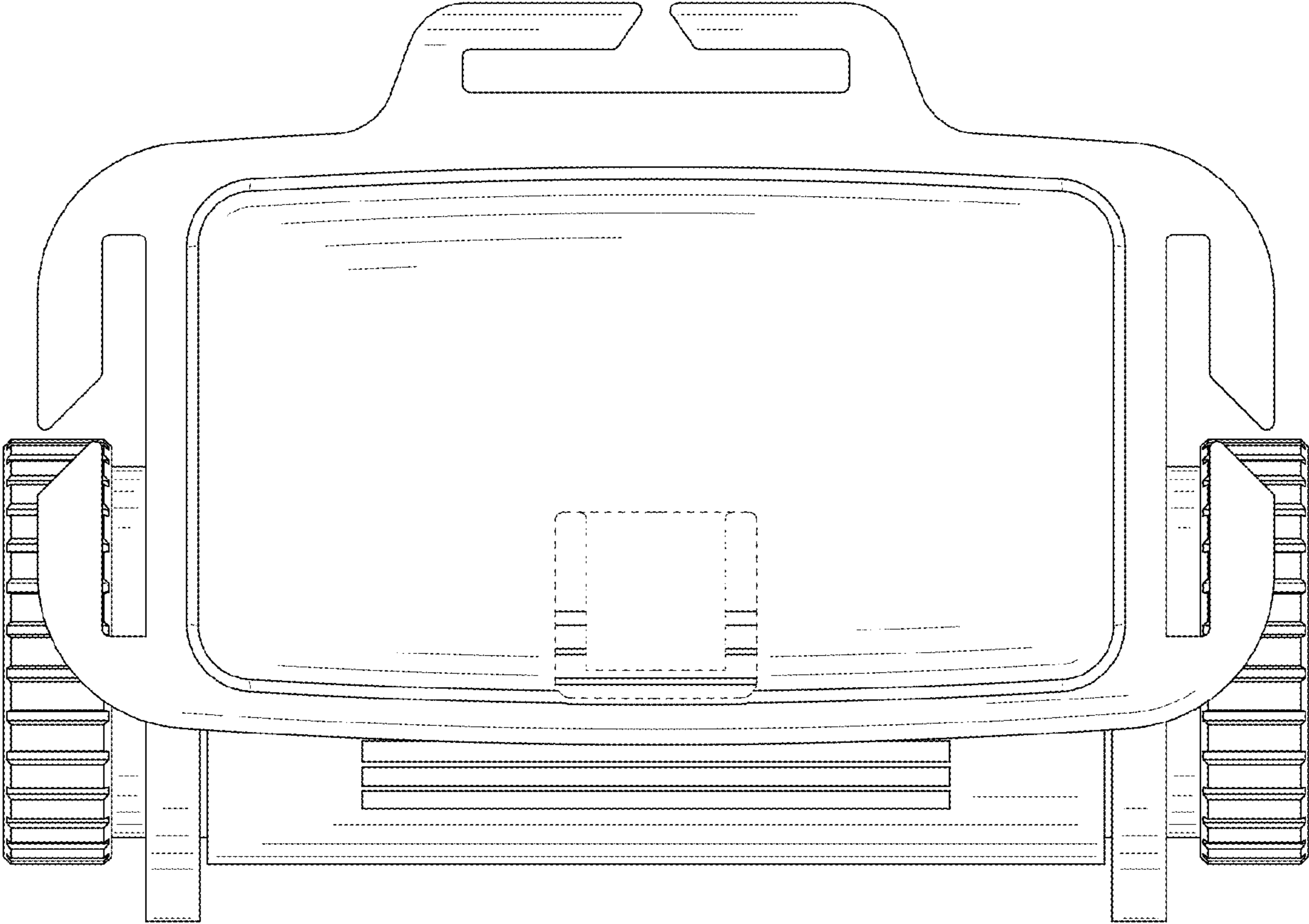


FIG. 4

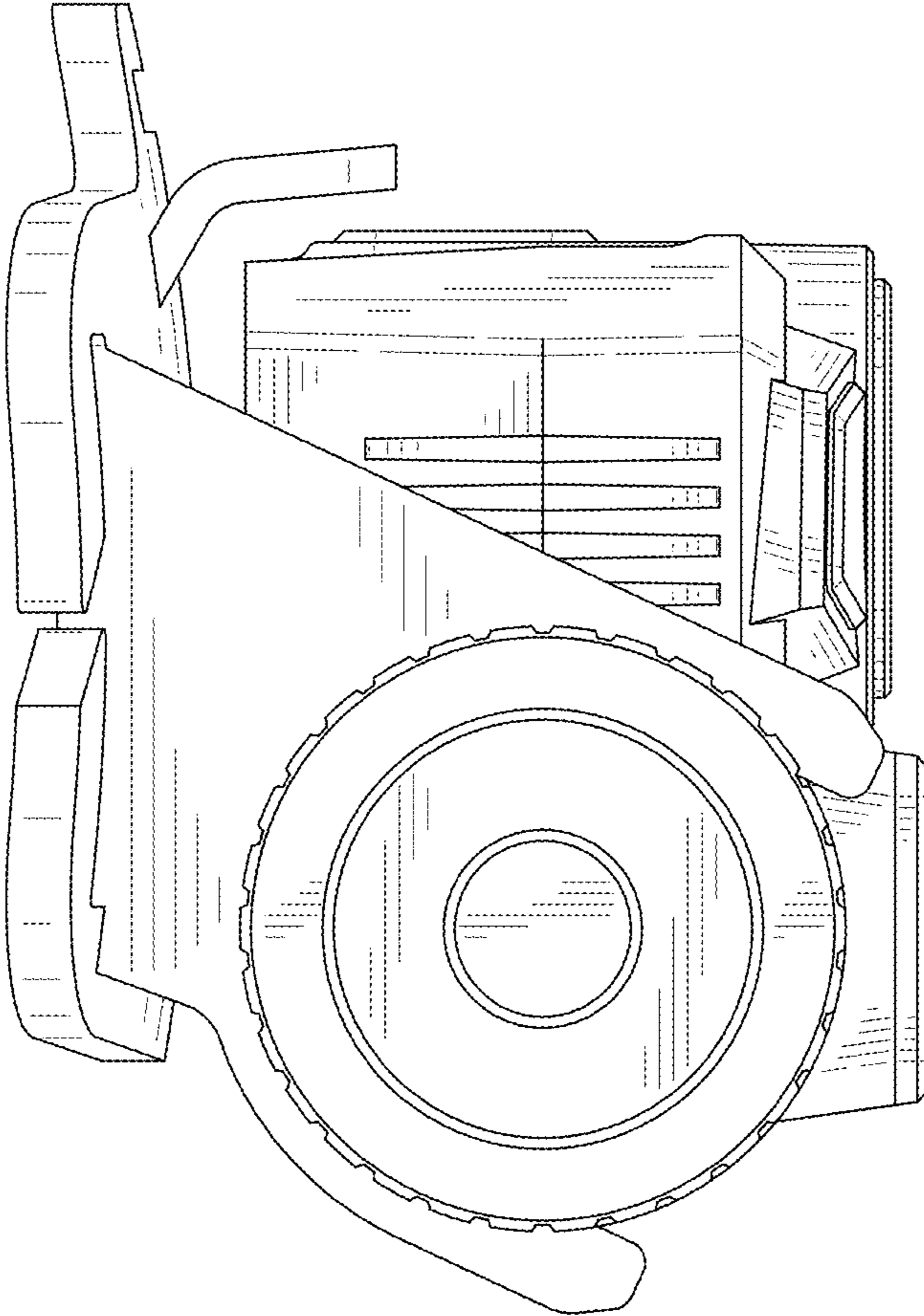


FIG. 5

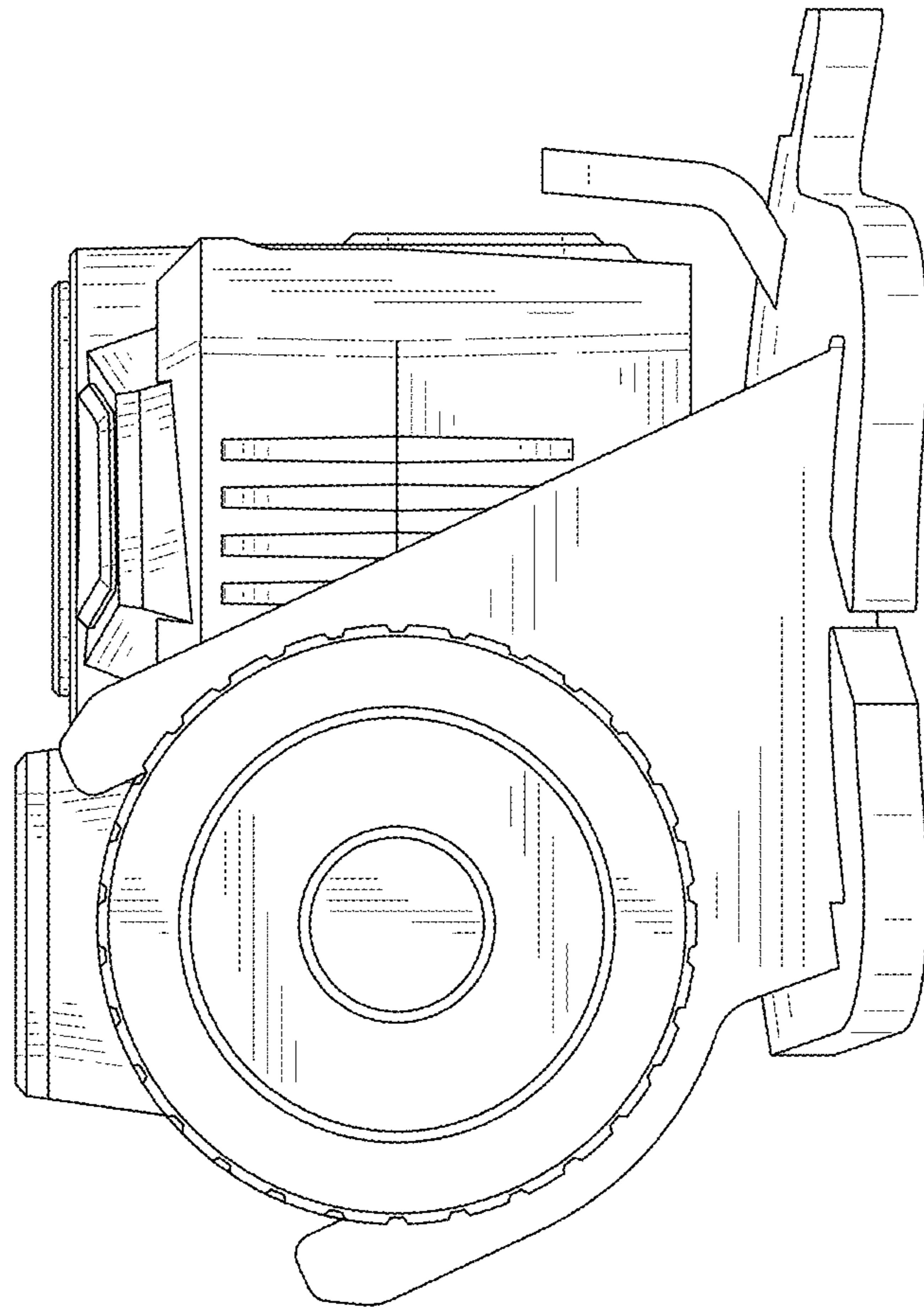


FIG. 6

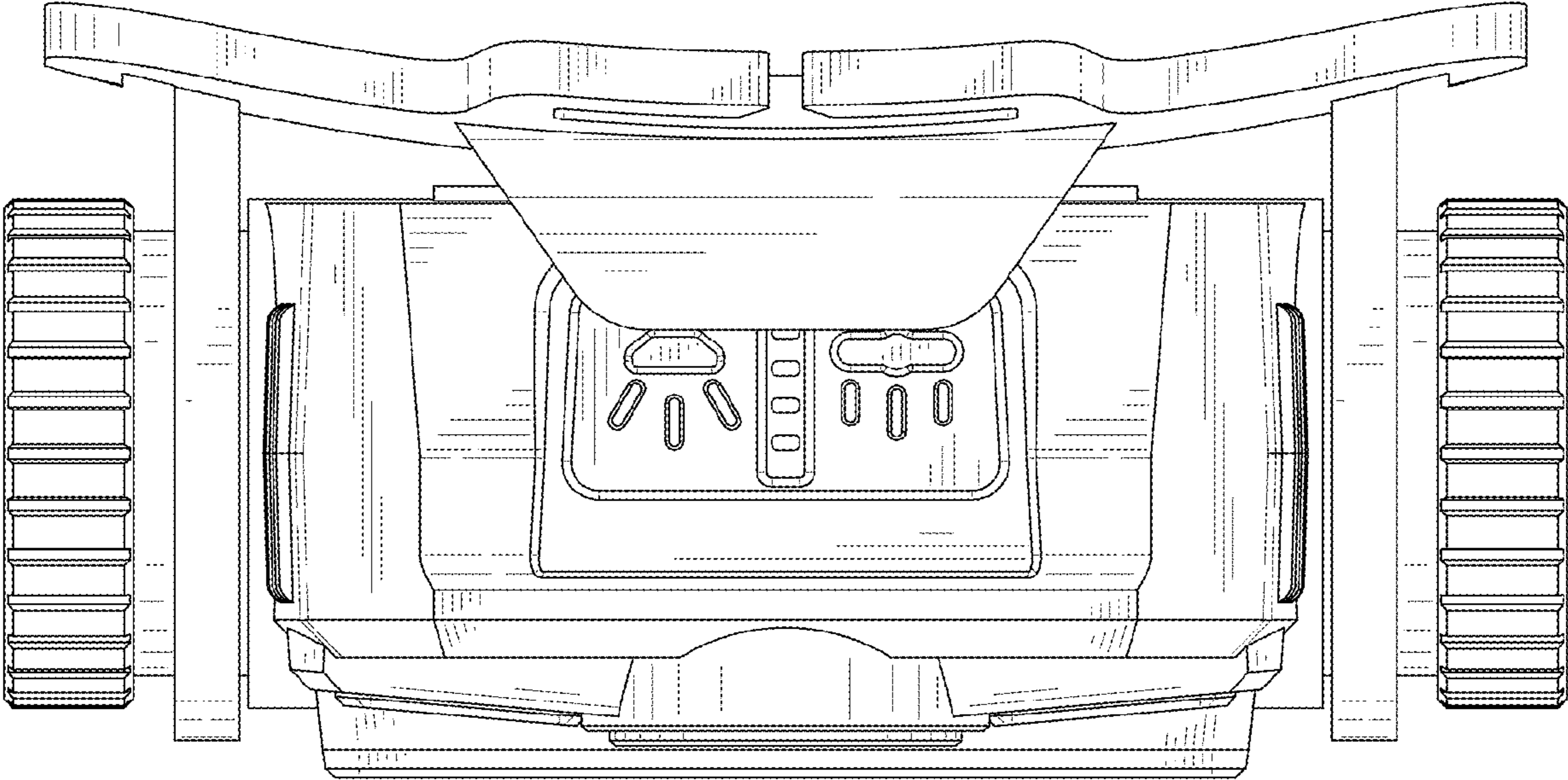


FIG. 7

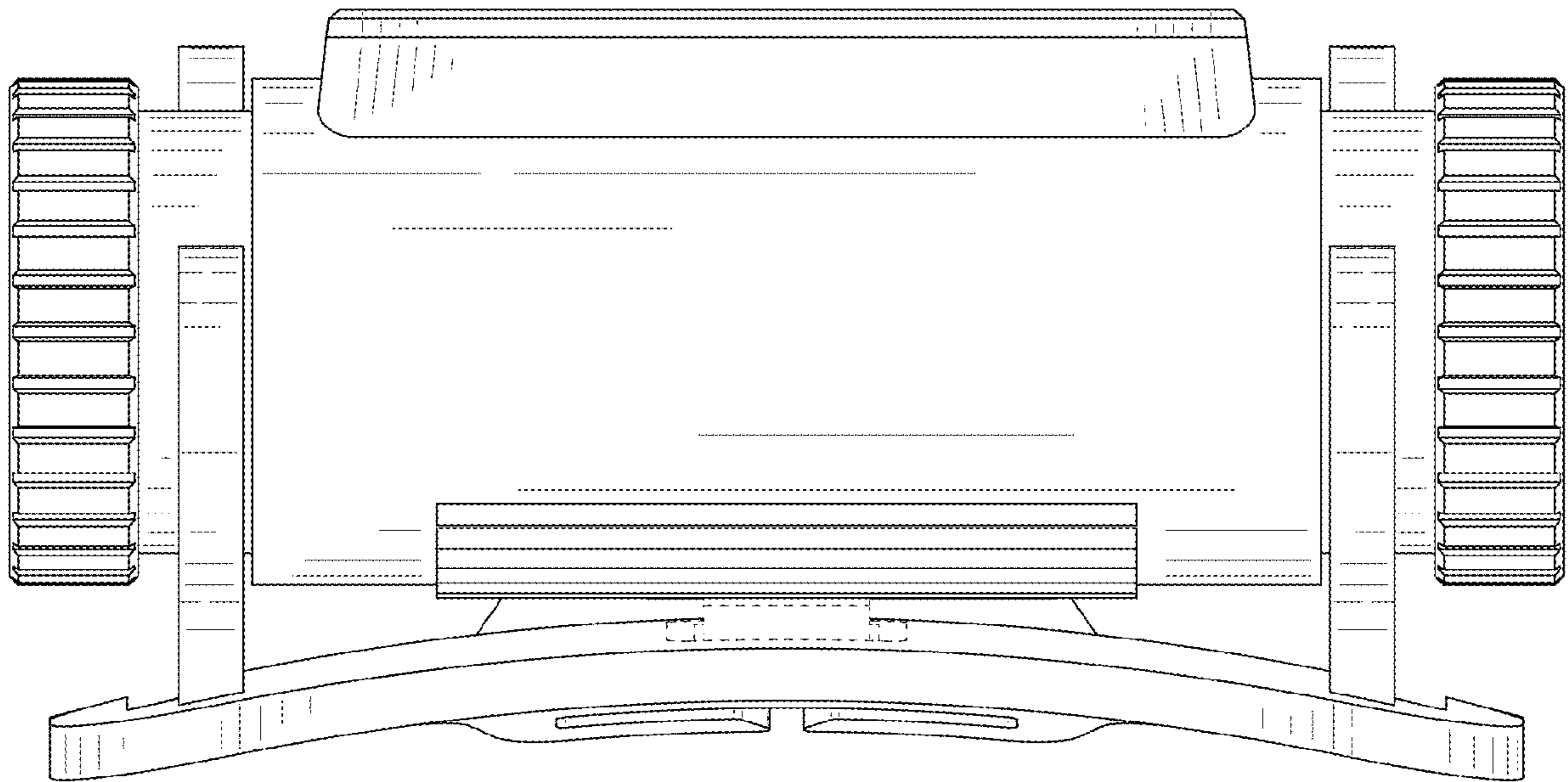


FIG. 8