



US00D955617S

(12) **United States Design Patent**
Lin

(10) **Patent No.:** **US D955,617 S**
(45) **Date of Patent:** **** Jun. 21, 2022**

(54) **AUTOMOBILE TAIL LIGHT**

(71) Applicant: **Chi-Chung Lin**, Hsinchu (TW)

(72) Inventor: **Chi-Chung Lin**, Hsinchu (TW)

(**) Term: **15 Years**

(21) Appl. No.: **29/766,754**

(22) Filed: **Jan. 18, 2021**

(51) **LOC (13) Cl.** **26-06**

(52) **U.S. Cl.**
USPC **D26/28**

(58) **Field of Classification Search**

USPC D26/28-36, 139
CPC F21S 48/00; F21S 48/10; F21S 48/115;
F21S 48/225; F21S 48/1233; F21S
48/1266; F21S 48/1388; F21S 48/2268;
F21V 5/00; F21V 21/04; F21V 29/004;
F21W 2102/17; F21W 2103/00; F21W
2103/35; F21W 2103/55; F21W 2107/13;
F21W 2103/17

See application file for complete search history.

(56) **References Cited**

U.S. PATENT DOCUMENTS

D604,874 S * 11/2009 Golden D26/28
D694,921 S 12/2013 MacKay

D703,847 S * 4/2014 MacKay D26/28
D735,911 S * 8/2015 O'Donnell D26/28
D744,678 S * 12/2015 Lai D26/28
D745,725 S * 12/2015 McMahan D26/28
D749,246 S * 2/2016 Thole D26/28
D893,775 S 8/2020 Lin

* cited by examiner

Primary Examiner — Marcus A Jackson

(74) *Attorney, Agent, or Firm* — Alexander Chen, Esq.

(57) **CLAIM**

The ornamental design for an automobile tail light, as shown and described.

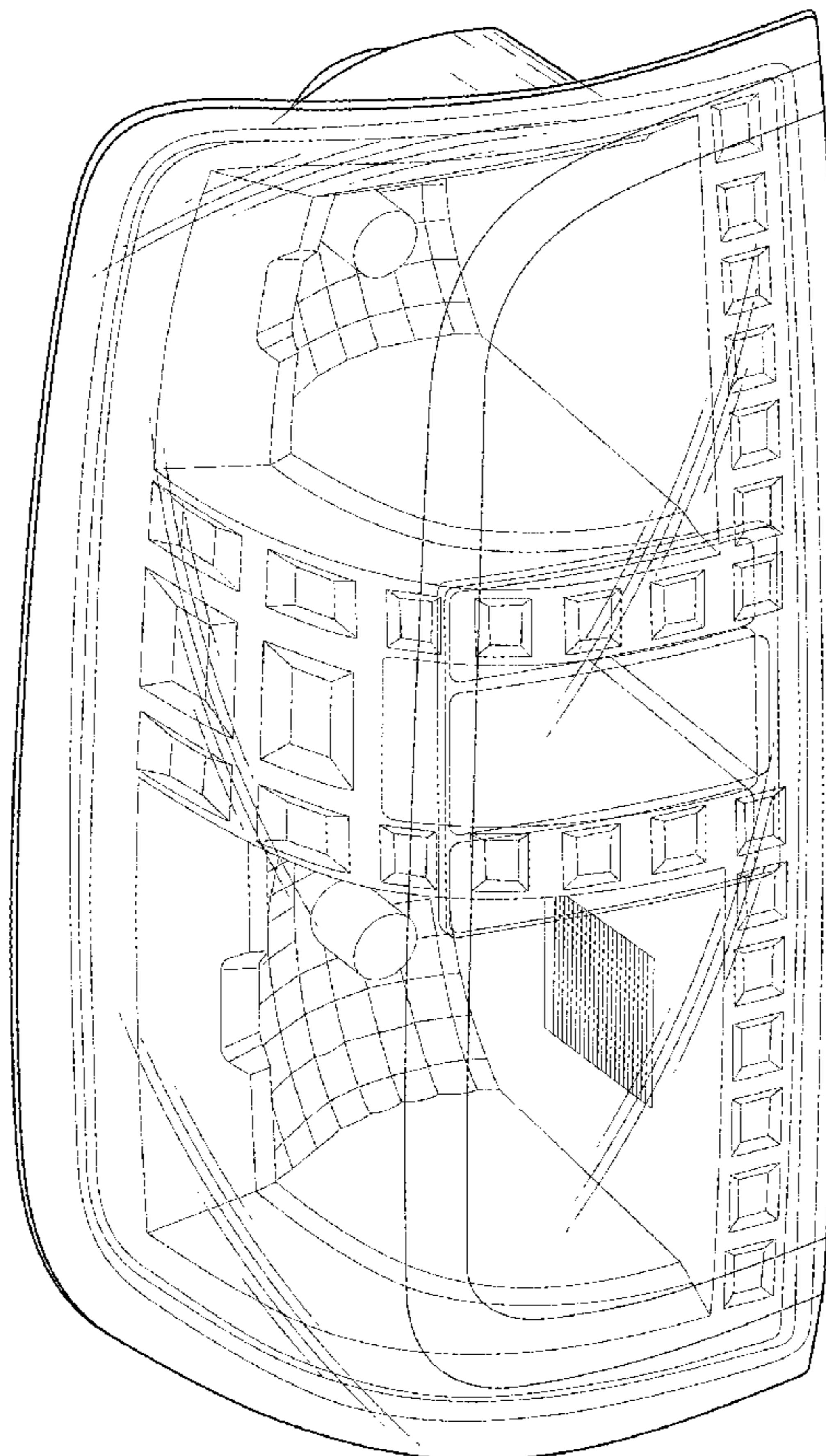
DESCRIPTION

FIG. 1 is a perspective view of an automobile tail light; FIG. 2 is a front view thereof; FIG. 3 is a back view thereof; FIG. 4 is a side view thereof; FIG. 5 is a side view thereof; FIG. 6 is a top view thereof; and, FIG. 7 is a bottom view thereof.

Any broken lines are included to show environmental structure and form no part of the claimed design.

The drawings and descriptions represent the left side embodiment. The claim is also for a mirror image right side embodiment.

1 Claim, 7 Drawing Sheets



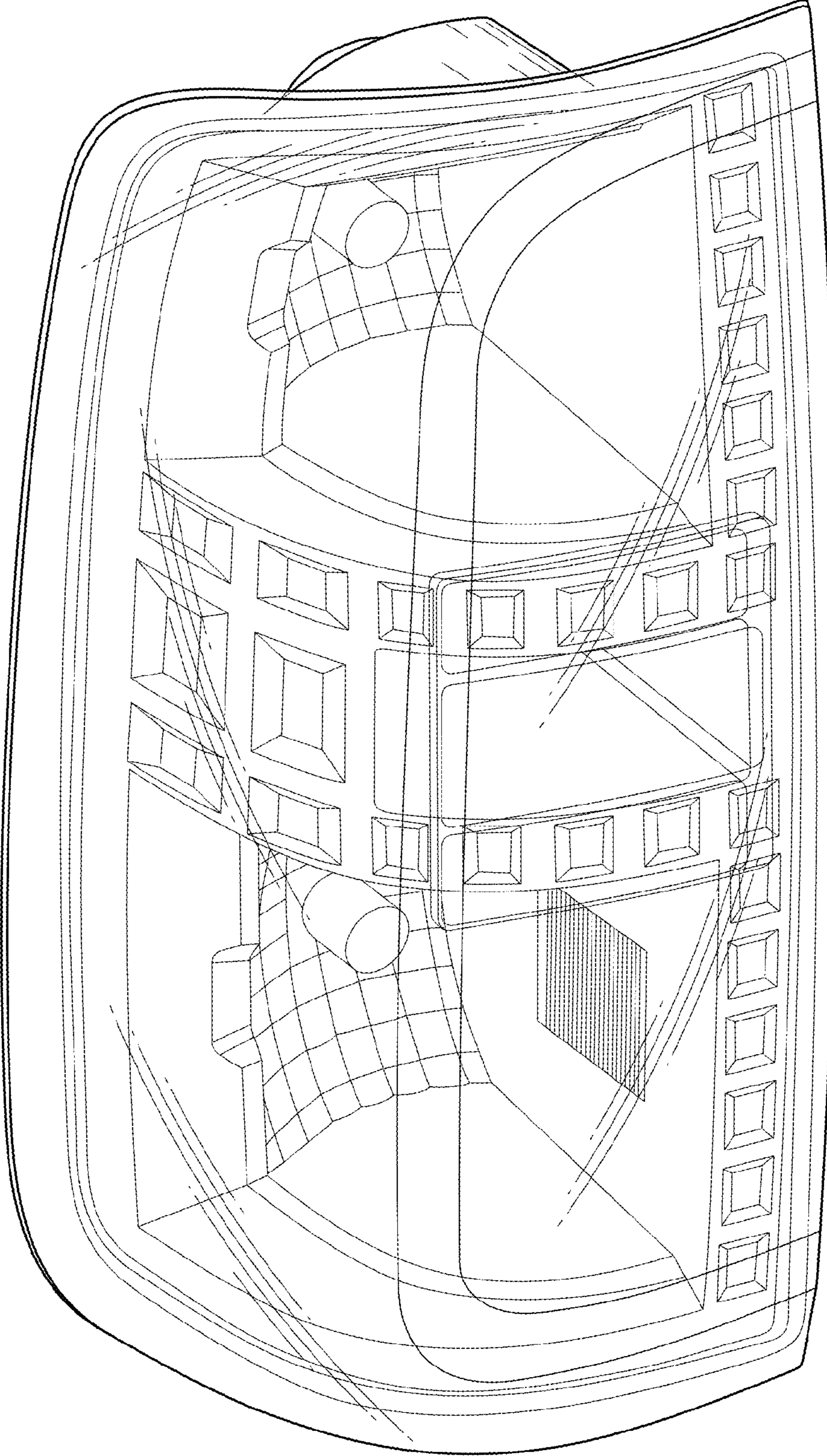


FIG. 1

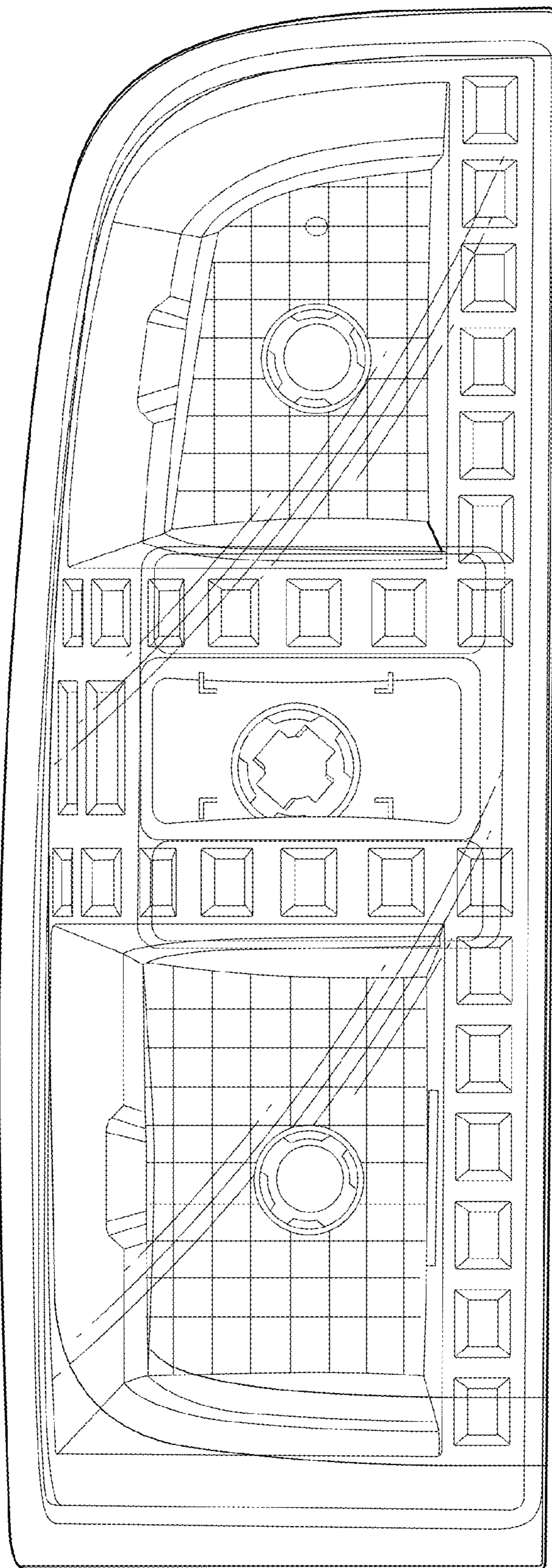


FIG. 2

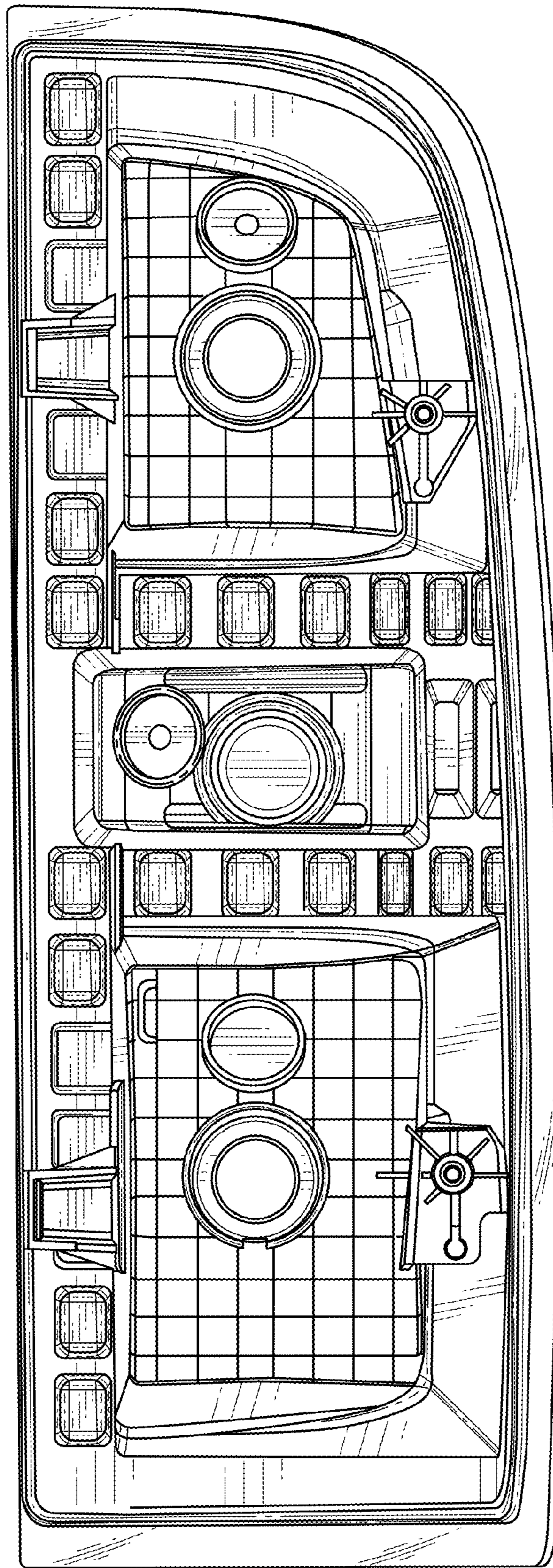


FIG. 3

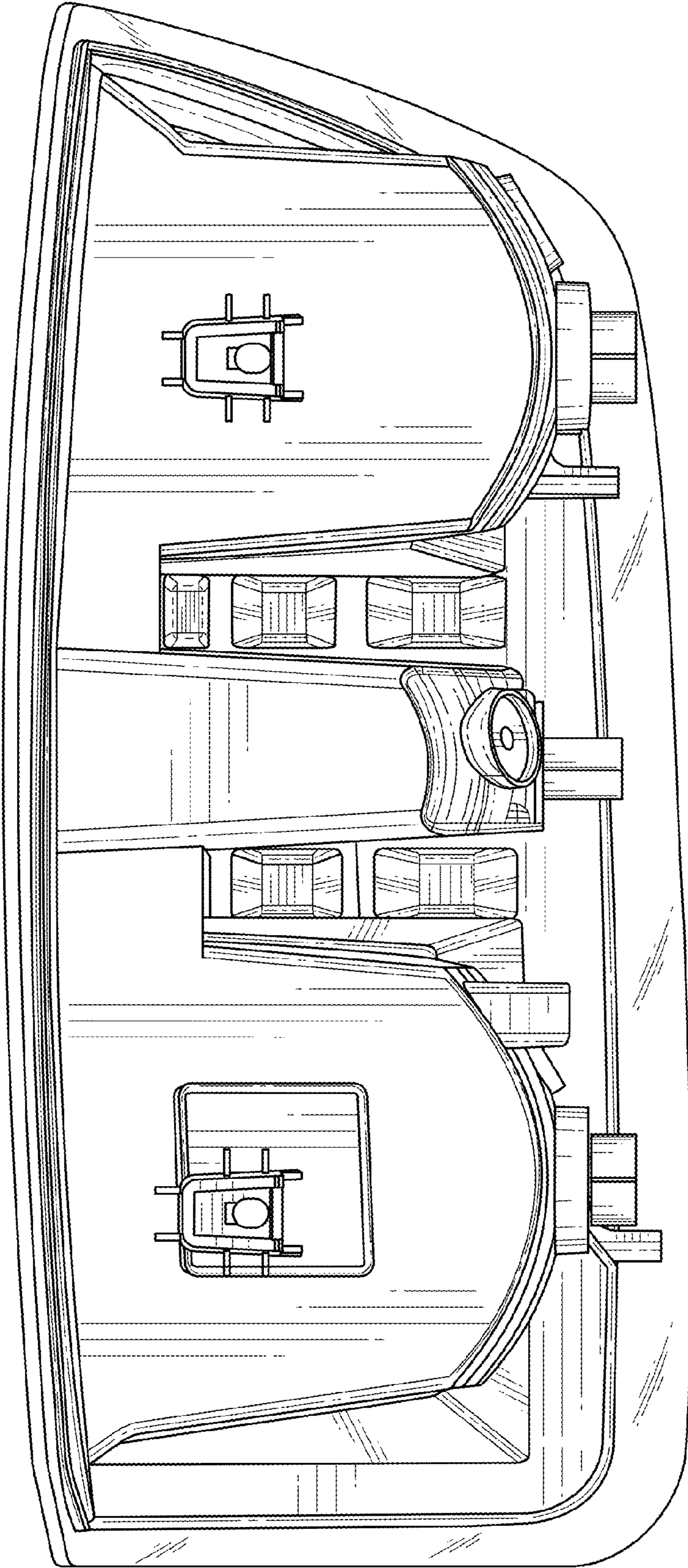


FIG. 4

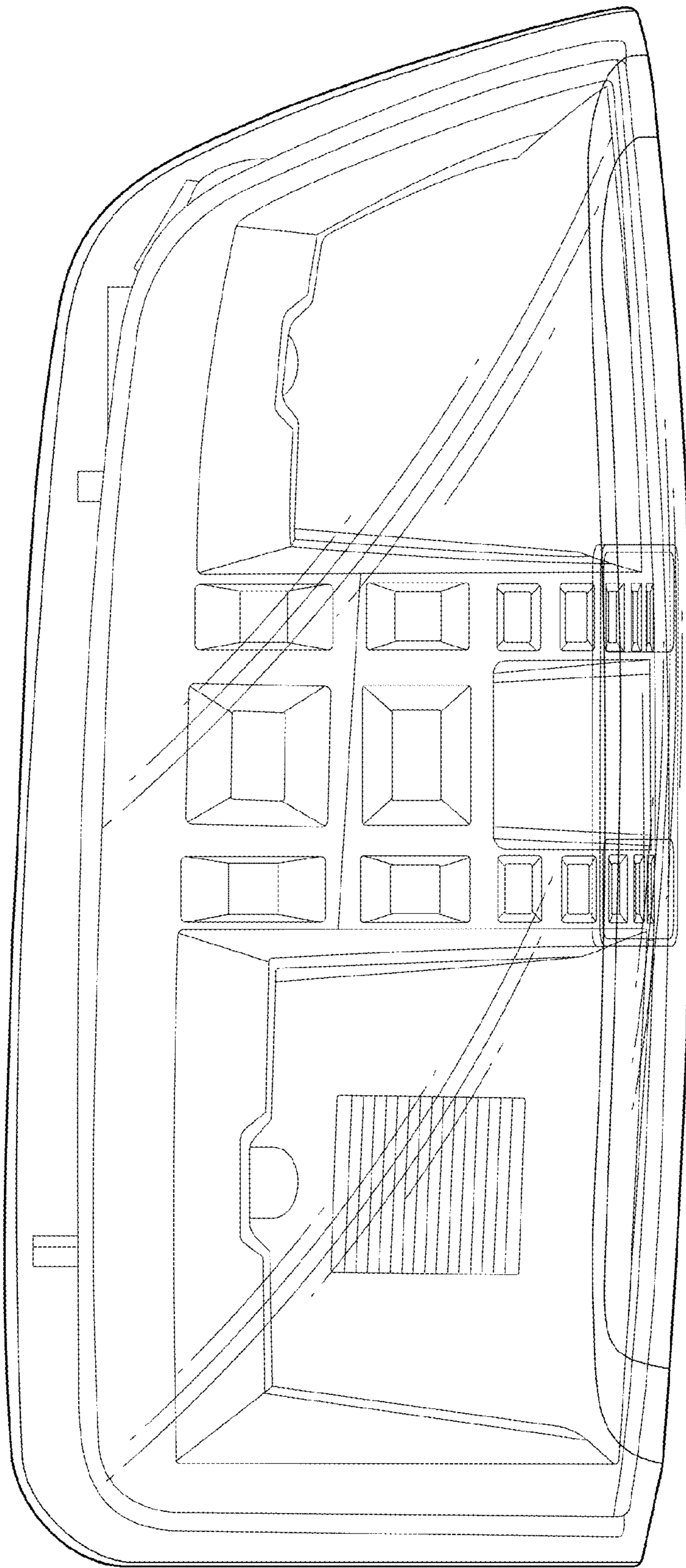


FIG. 5

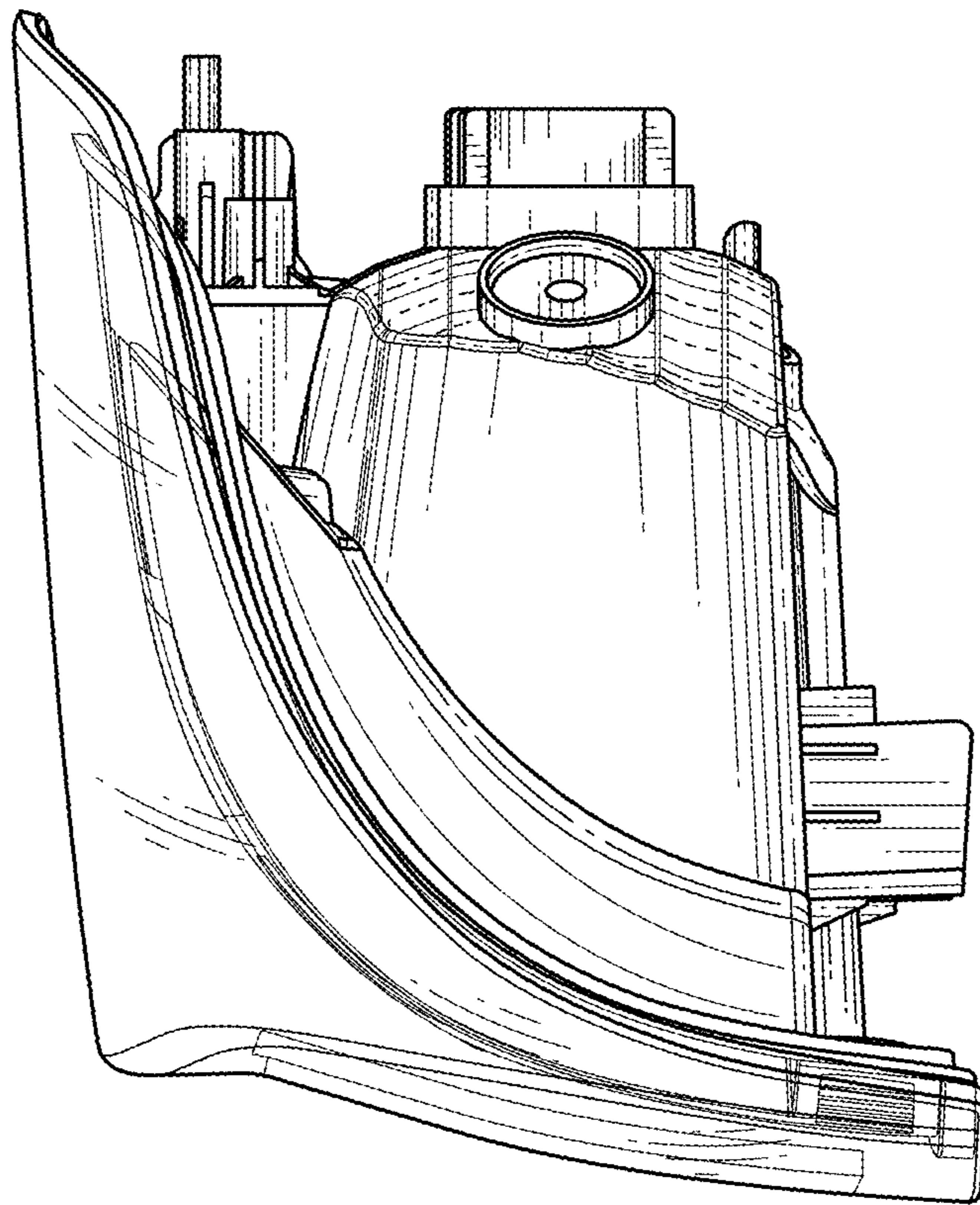


FIG. 6

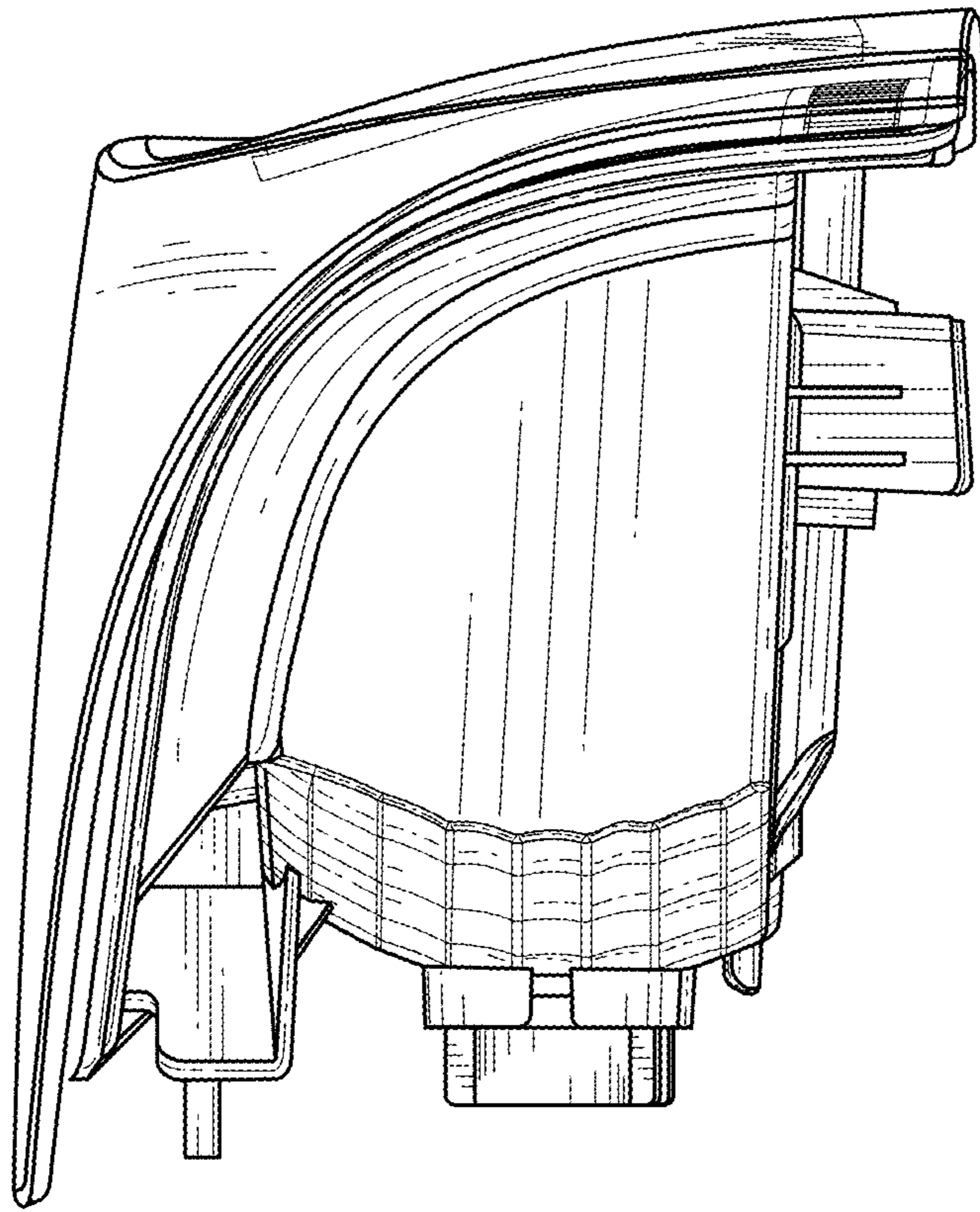


FIG. 7