



US00D955615S

(12) **United States Design Patent**
Lin

(10) **Patent No.:** **US D955,615 S**
(45) **Date of Patent:** **** Jun. 21, 2022**

- (54) **AUTOMOBILE HEADLIGHT LENS**
- (71) Applicant: **Chi-Chung Lin**, Hsinchu (TW)
- (72) Inventor: **Chi-Chung Lin**, Hsinchu (TW)
- (**) Term: **15 Years**
- (21) Appl. No.: **29/763,664**
- (22) Filed: **Dec. 23, 2020**
- (51) **LOC (13) Cl.** **26-06**
- (52) **U.S. Cl.**
USPC **D26/28**
- (58) **Field of Classification Search**
USPC D26/28-36, 139
CPC F21S 48/00; F21S 48/10; F21S 48/115;
F21S 48/225; F21S 48/1233; F21S
48/1266; F21S 48/1388; F21S 48/2268;
F21V 5/00; F21V 21/04; F21V 29/004;
B60Q 9/13; B60Q 9/135; B60Q 9/1375;
F21W 2102/17; F21W 2103/00; F21W
2103/35; F21W 2103/55; F21W 2107/13;
F21W 2107/17
See application file for complete search history.

- D846,771 S 4/2019 Zipfel
- D859,709 S 9/2019 Zipfel
- D869,027 S 12/2019 Zipfel
- D869,028 S 12/2019 Zipfel
- D880,764 S * 4/2020 He D26/139

* cited by examiner

Primary Examiner — Marcus A Jackson

(74) *Attorney, Agent, or Firm* — Alexander Chen, Esq.

(57) **CLAIM**

The ornamental design for an automobile headlight lens, as shown and described.

DESCRIPTION

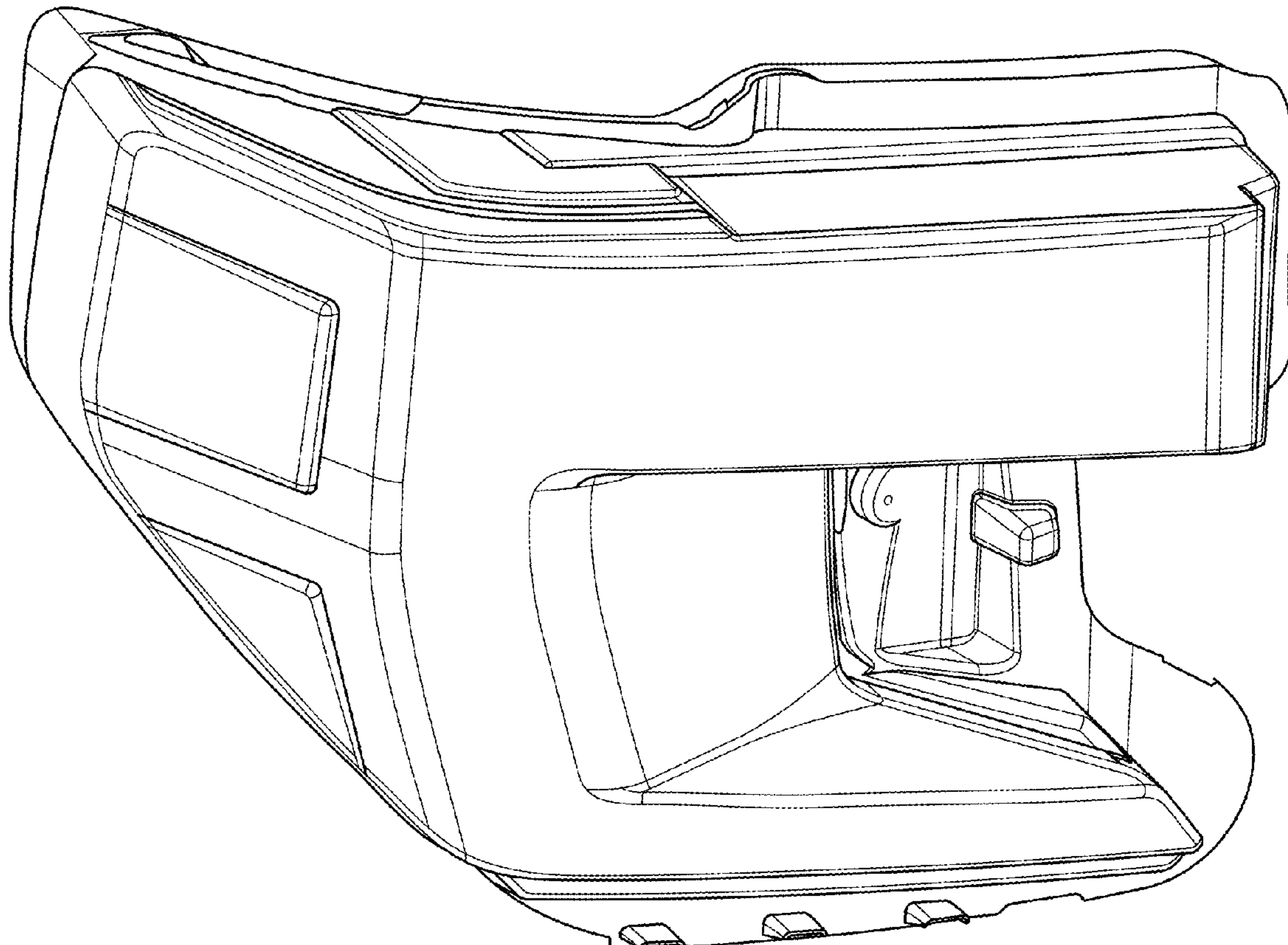
FIG. 1 is a perspective view of an automobile headlight lens; FIG. 2 is a front view thereof; FIG. 3 is a back view thereof; FIG. 4 is a side view thereof; FIG. 5 is a side view thereof; FIG. 6 is a top view thereof; and, FIG. 7 is a bottom view thereof.

Any broken lines are included to show environmental structure and form no part of the claimed design.

The drawings and descriptions represent the left side embodiment. The claim is also for a mirror image right side embodiment.

- (56) **References Cited**
U.S. PATENT DOCUMENTS
D425,240 S * 5/2000 Goeckeritz D26/139
D526,435 S * 8/2006 Lau D26/139

1 Claim, 7 Drawing Sheets



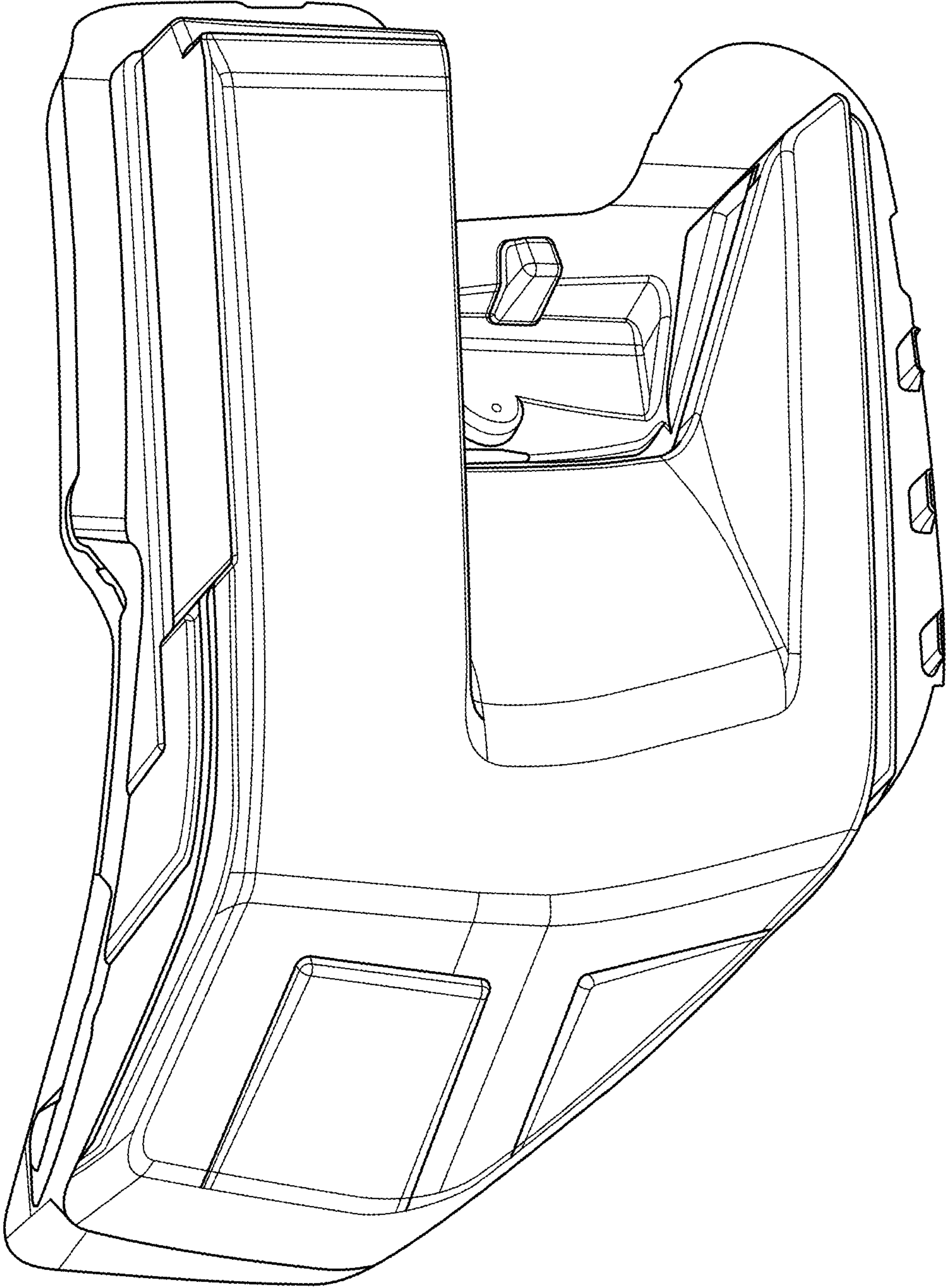


FIG. 1

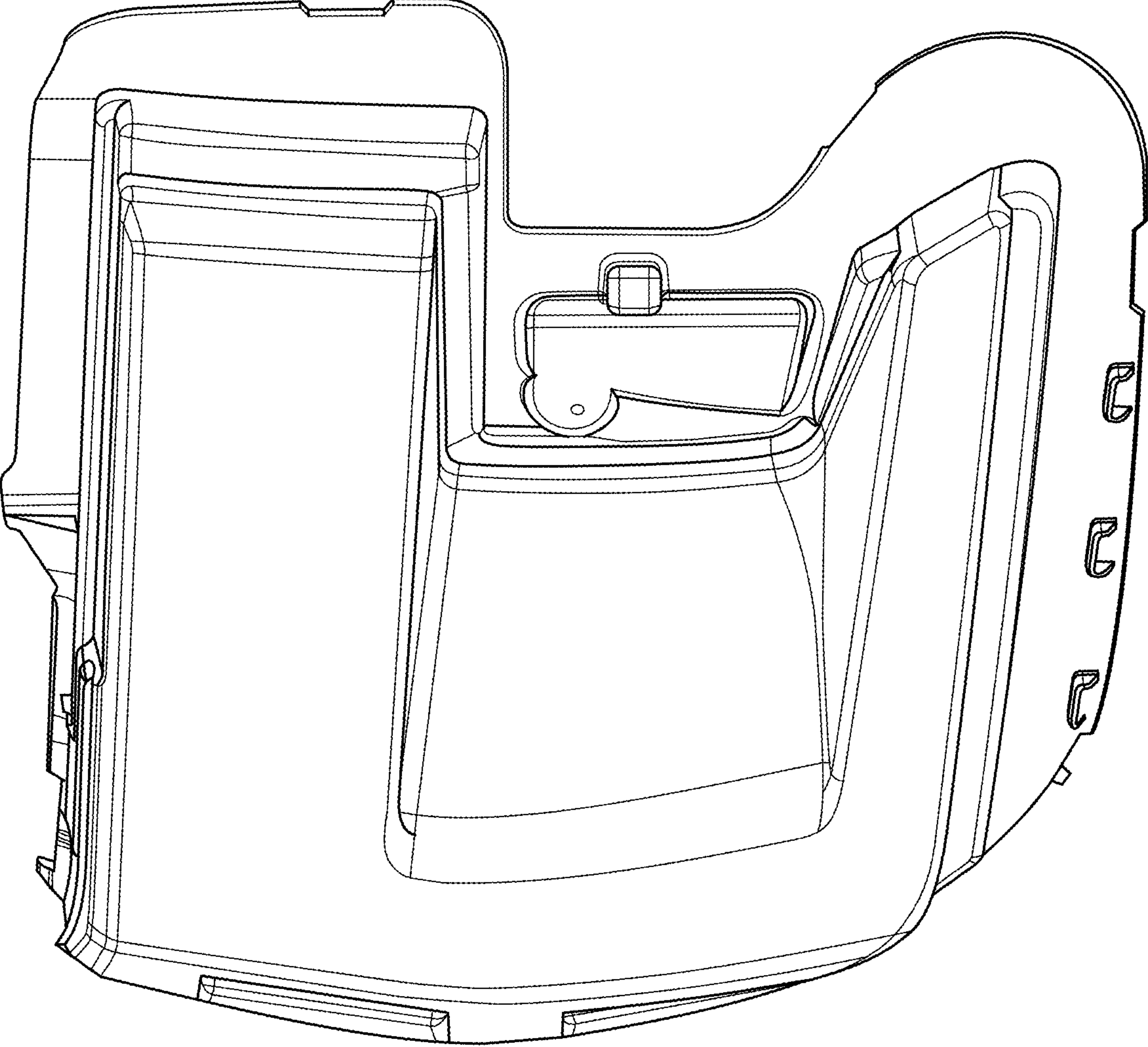


FIG. 2

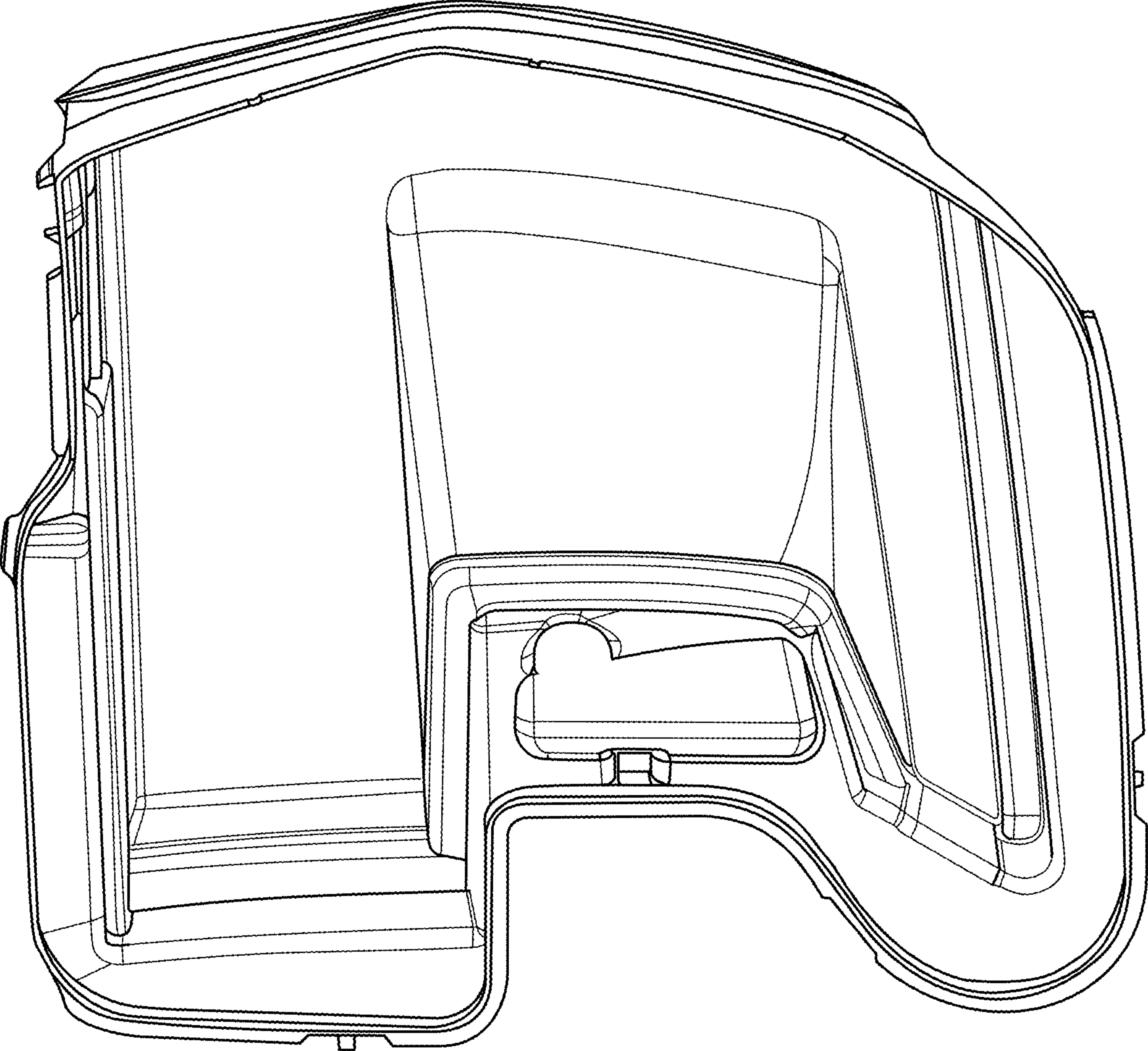


FIG. 3

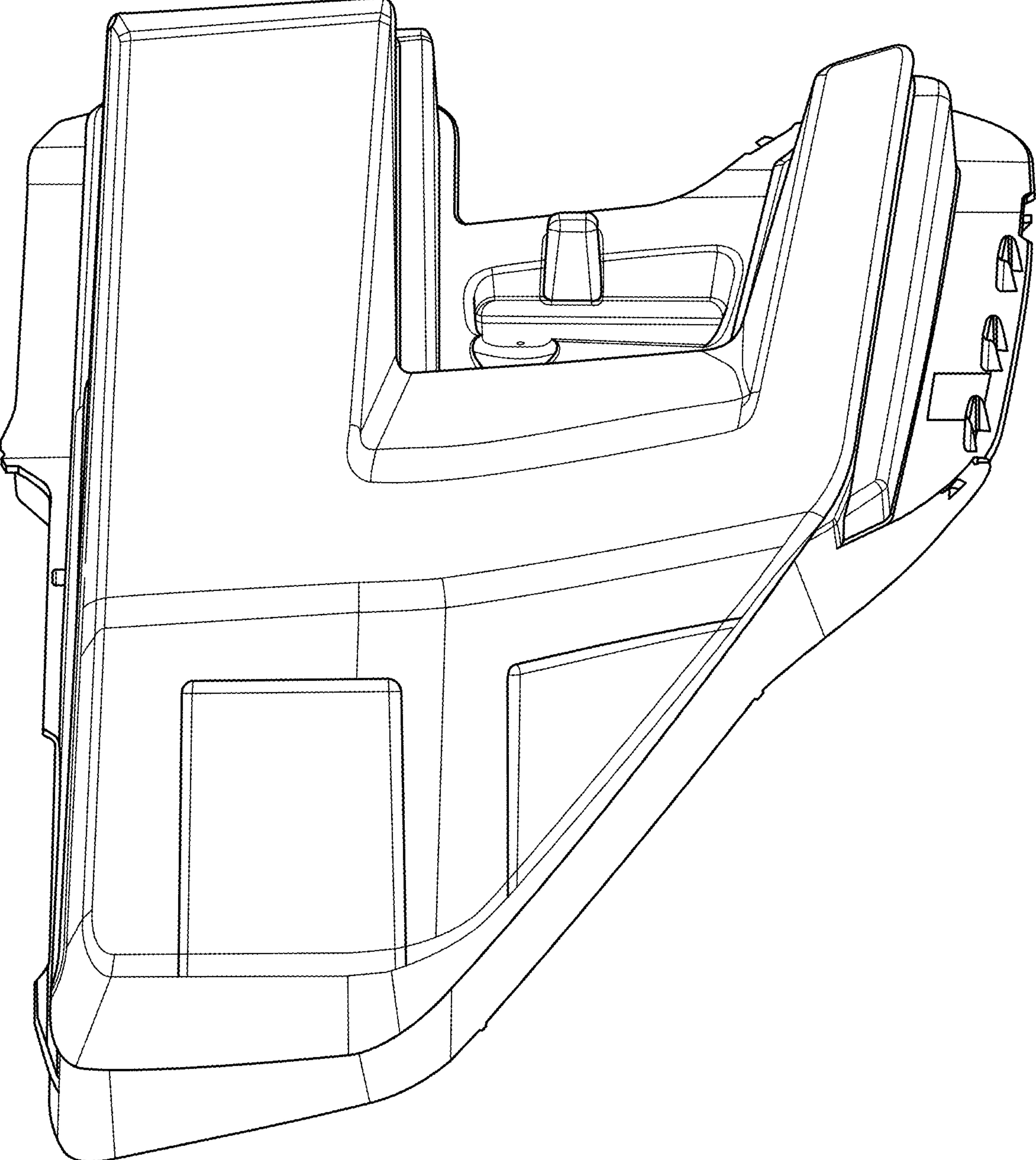


FIG. 4

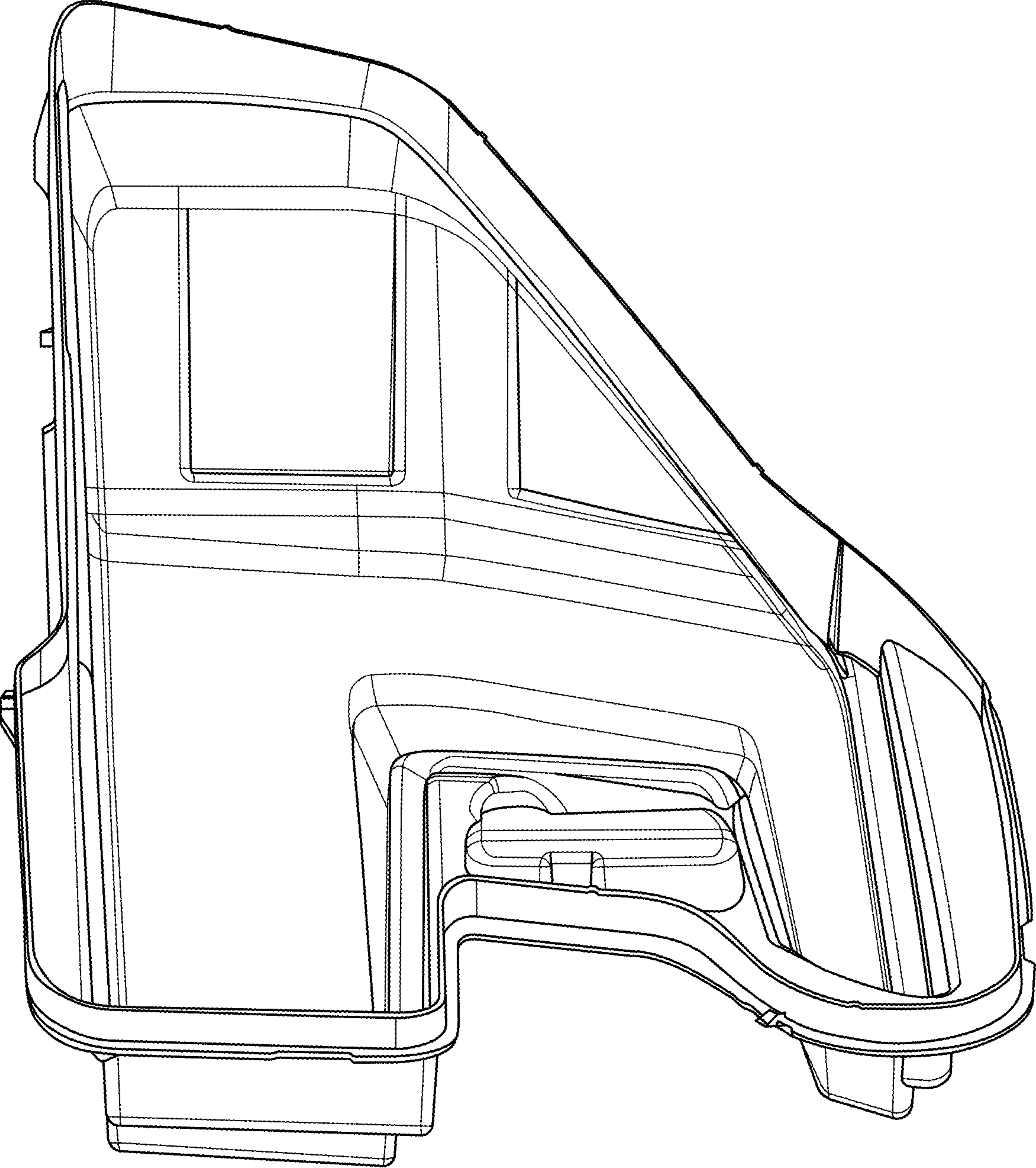


FIG. 5

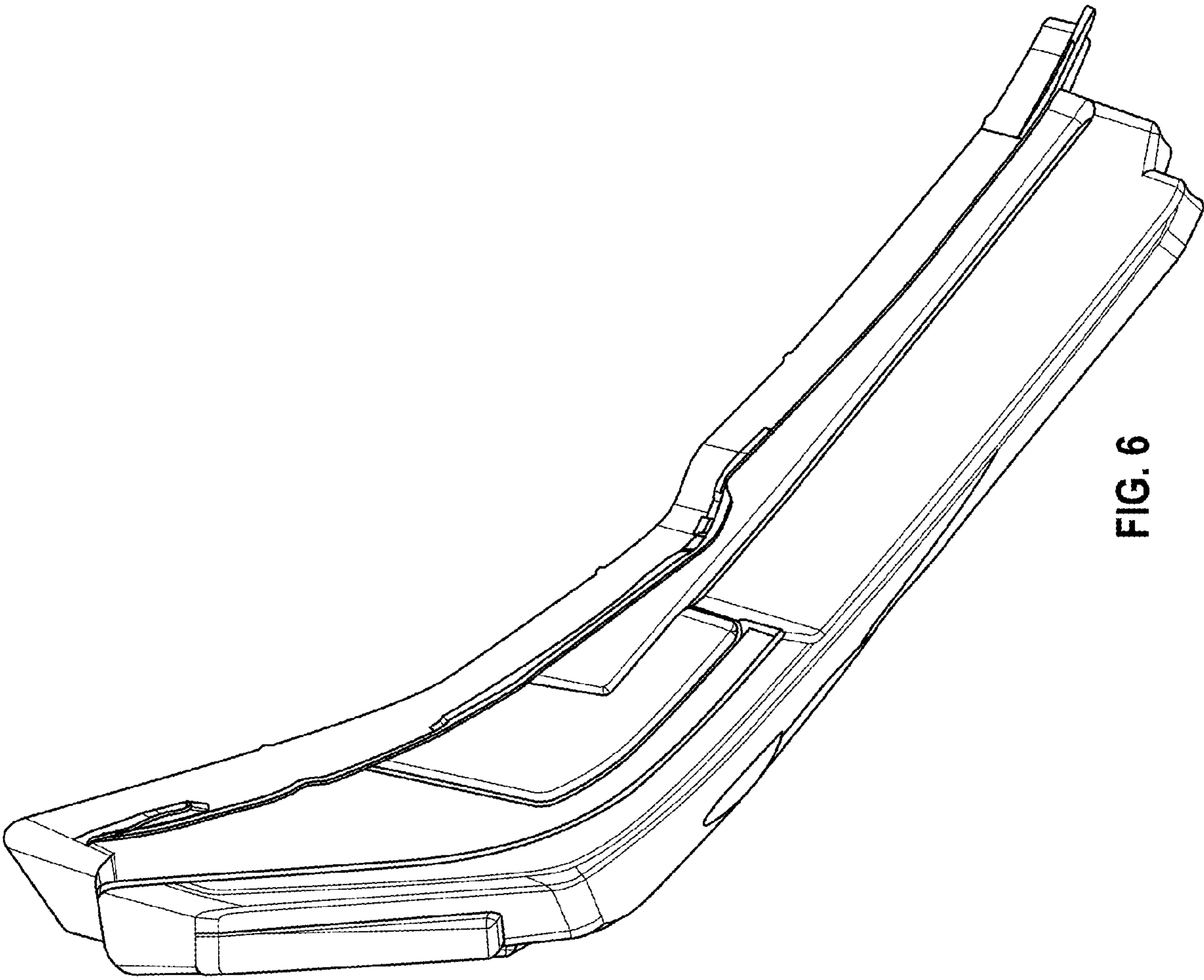


FIG. 6

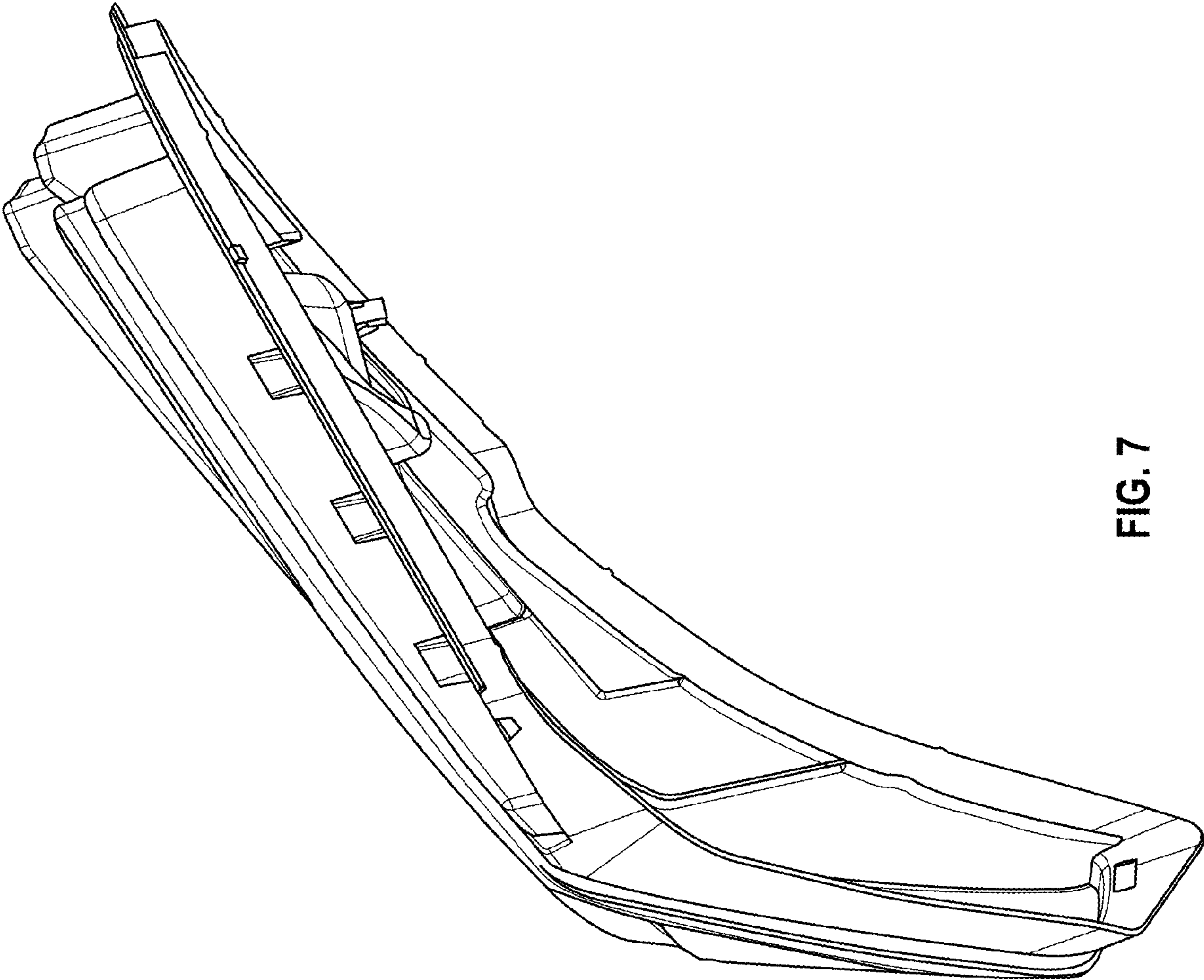


FIG. 7