



US00D955614S

(12) **United States Design Patent**  
**Lin**

(10) **Patent No.:** **US D955,614 S**  
(45) **Date of Patent:** **\*\* Jun. 21, 2022**

- (54) **AUTOMOBILE TAIL LIGHT**
- (71) Applicant: **Chi-Chung Lin**, Hsinchu (TW)
- (72) Inventor: **Chi-Chung Lin**, Hsinchu (TW)
- (\*\*) Term: **15 Years**
- (21) Appl. No.: **29/763,609**
- (22) Filed: **Dec. 23, 2020**
- (51) **LOC (13) Cl.** ..... **26-06**
- (52) **U.S. Cl.**  
USPC ..... **D26/28**
- (58) **Field of Classification Search**  
USPC ..... D26/28-36, 139  
CPC ..... F21S 48/00; F21S 48/10; F21S 48/115;  
F21S 48/225; F21S 48/1233; F21S  
48/1266; F21S 48/1388; F21S 48/2268;  
F21V 5/00; F21V 21/04; F21V 29/004;  
B60Q 9/13; B60Q 9/135; B60Q 9/1375;  
F21W 2102/17; F21W 2103/00; F21W  
2103/35; F21W 2103/55; F21W 2107/13;  
F21W 2107/17  
See application file for complete search history.

D703,847 S *	4/2014	MacKay	.....	D26/28
D735,911 S *	8/2015	O'Donnell	.....	D26/28
D744,678 S *	12/2015	Lai	.....	D26/28
D745,725 S *	12/2015	McMahan	.....	D26/28
D749,246 S *	2/2016	Thole	.....	D26/28
D835,312 S	12/2018	Yang		
D845,519 S	4/2019	Zipfel		
D869,026 S	12/2019	Zipfel		
D895,861 S	9/2020	Lin		
D896,414 S	9/2020	Lin		
D896,415 S	9/2020	Lin		

\* cited by examiner

*Primary Examiner* — Marcus A Jackson

(74) *Attorney, Agent, or Firm* — Alexander Chen, Esq.

(57) **CLAIM**

The ornamental design for an automobile tail light, as shown and described.

**DESCRIPTION**

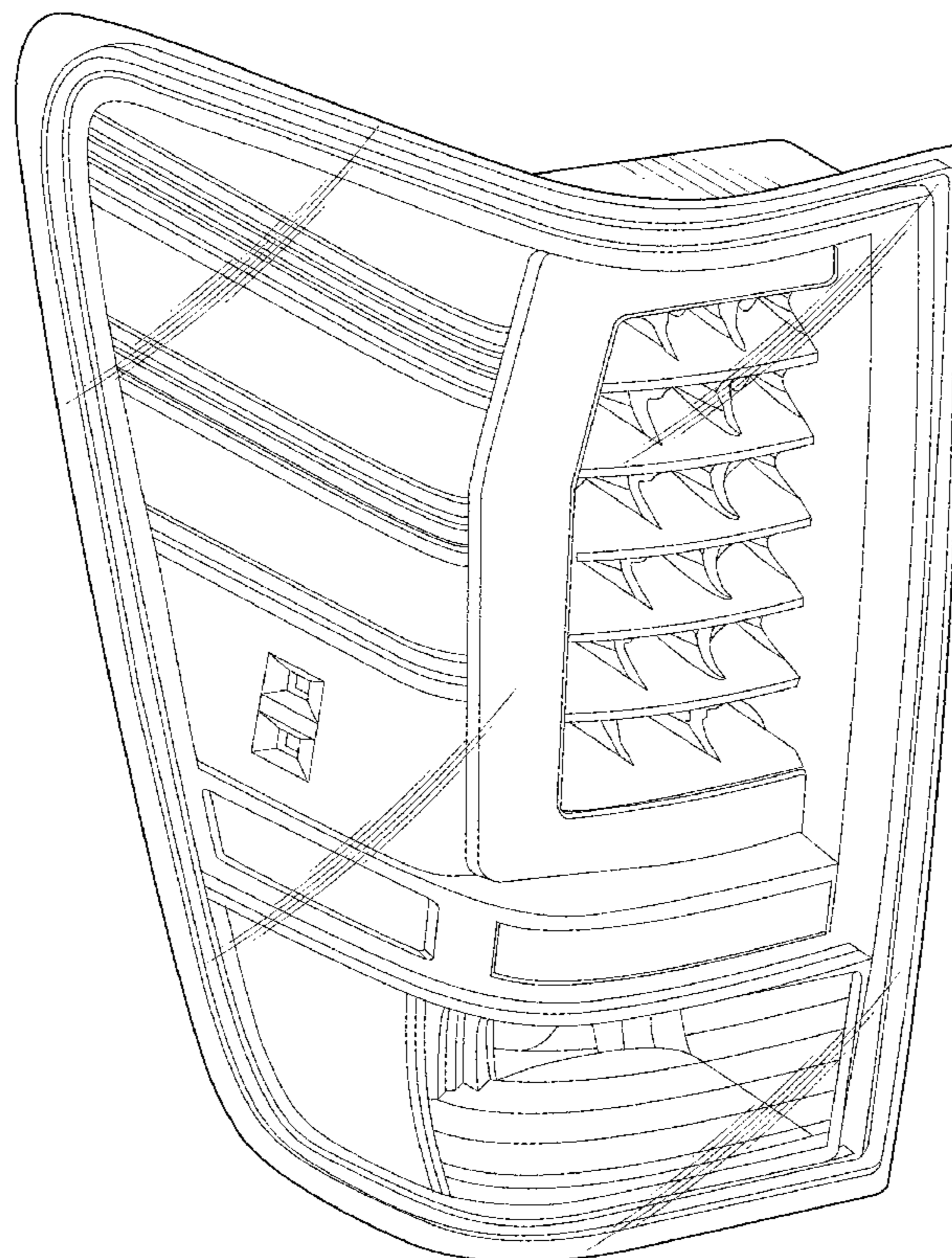
FIG. 1 is a perspective view of an automobile tail light; FIG. 2 is a front view thereof; FIG. 3 is a back view thereof; FIG. 4 is a side view thereof; FIG. 5 is a side view thereof; FIG. 6 is a top view thereof; and, FIG. 7 is a bottom view thereof.

Any broken lines are included to show environmental structure and form no part of the claimed design.

The drawings and descriptions represent the left side embodiment. The claim is also for a mirror image right side embodiment.

- (56) **References Cited**  
U.S. PATENT DOCUMENTS  
D542,949 S 5/2007 Lin  
D592,336 S 5/2009 Hsu  
D604,874 S \* 11/2009 Golden ..... D26/28  
D637,320 S 5/2011 Yang

**1 Claim, 7 Drawing Sheets**



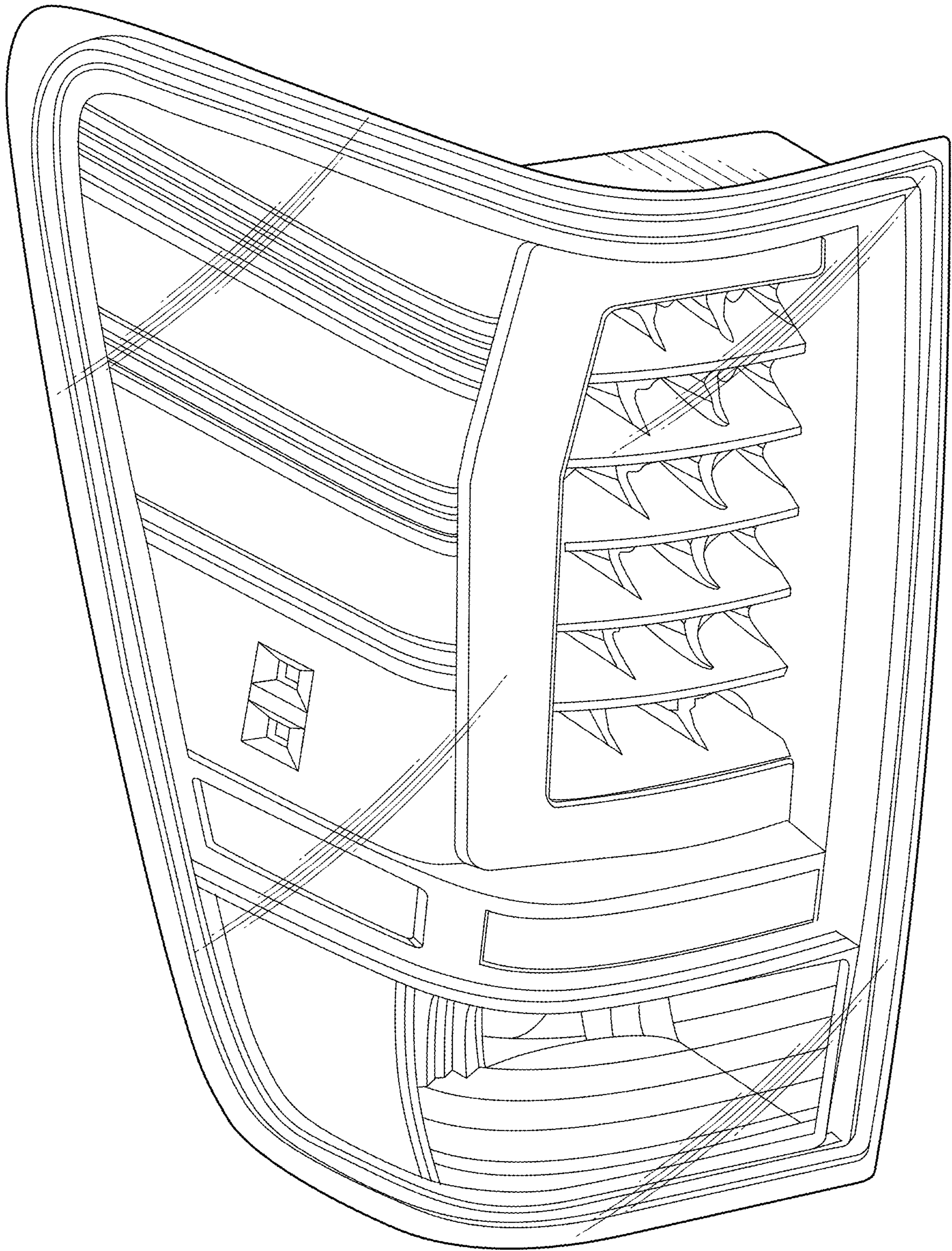


FIG. 1

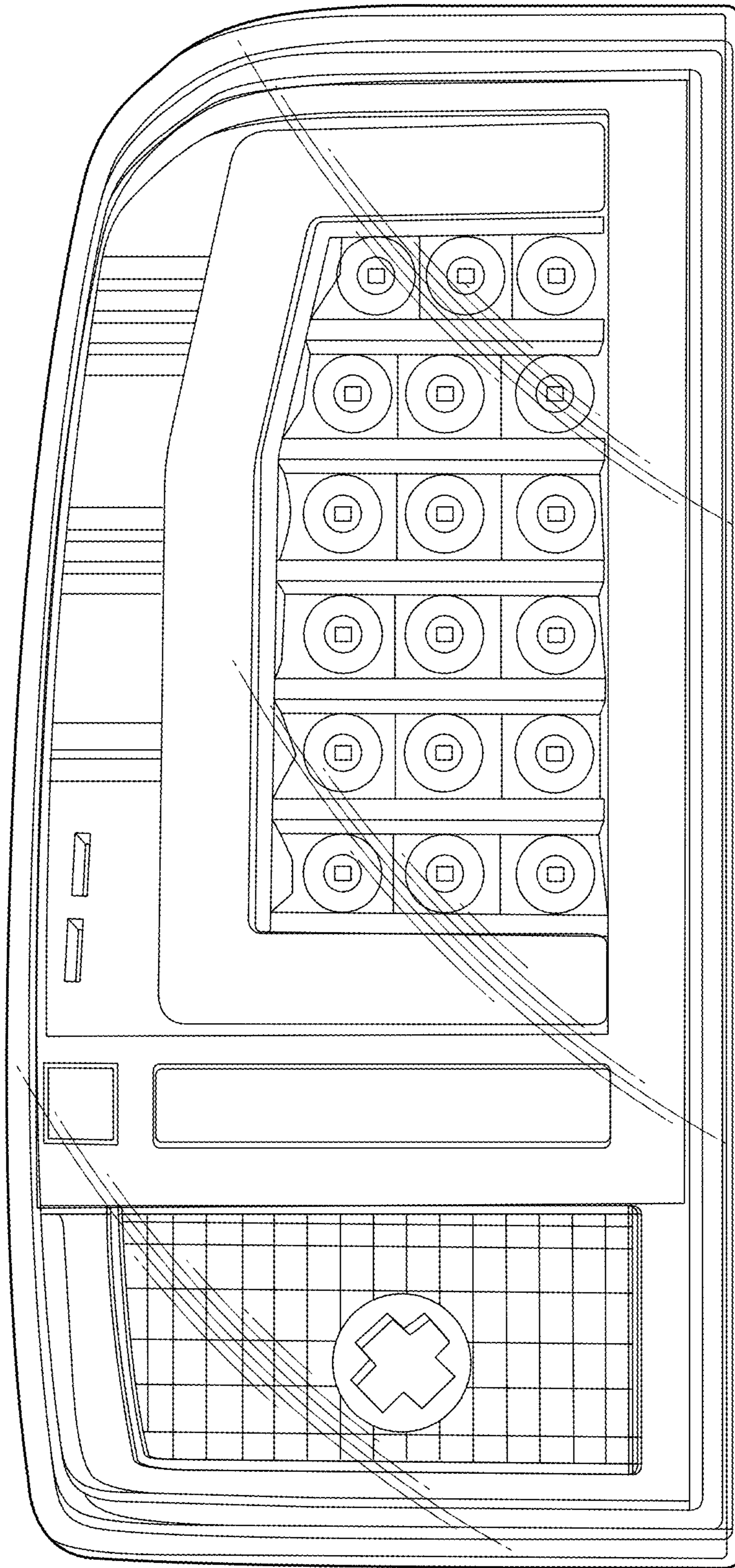


FIG. 2

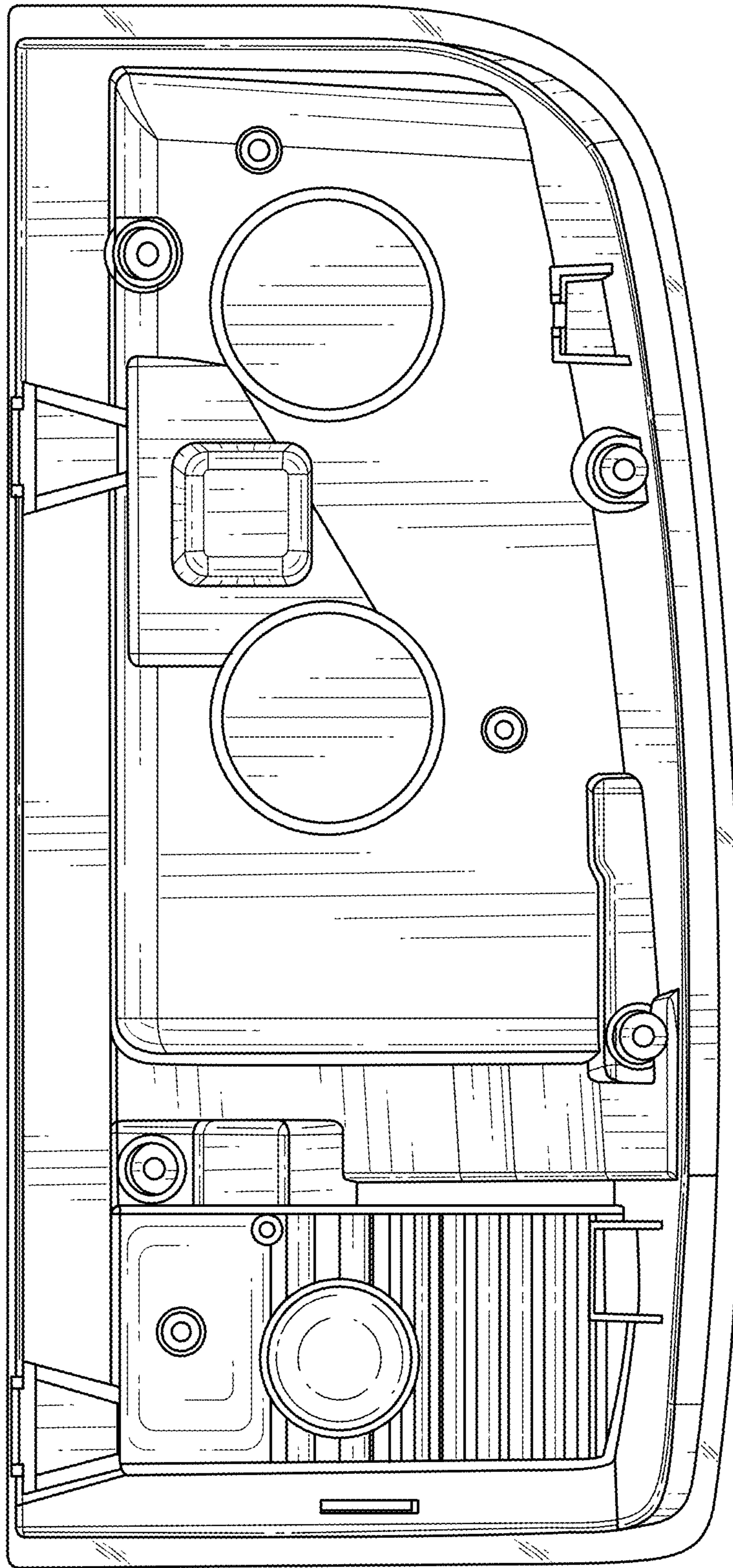


FIG. 3

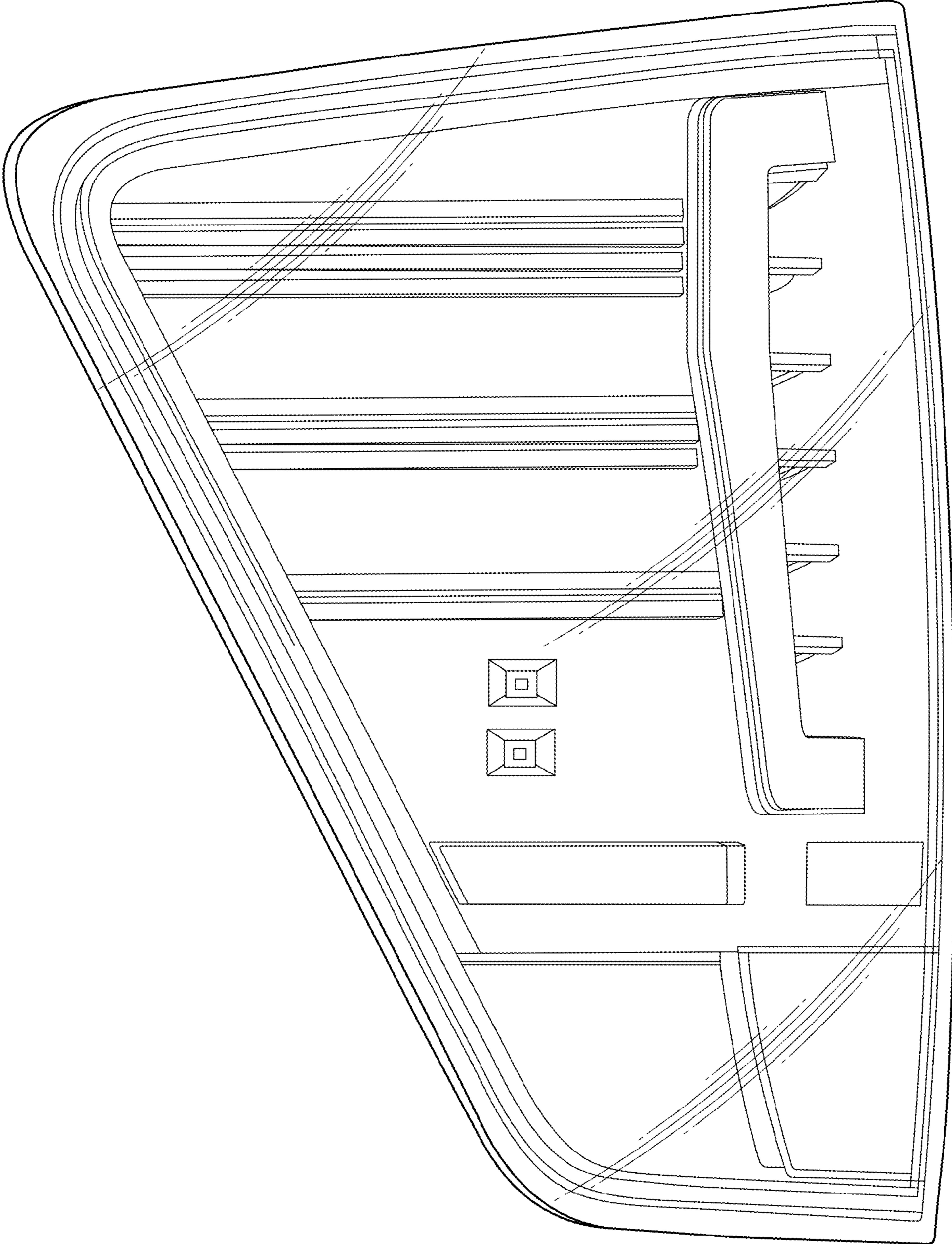


FIG. 4

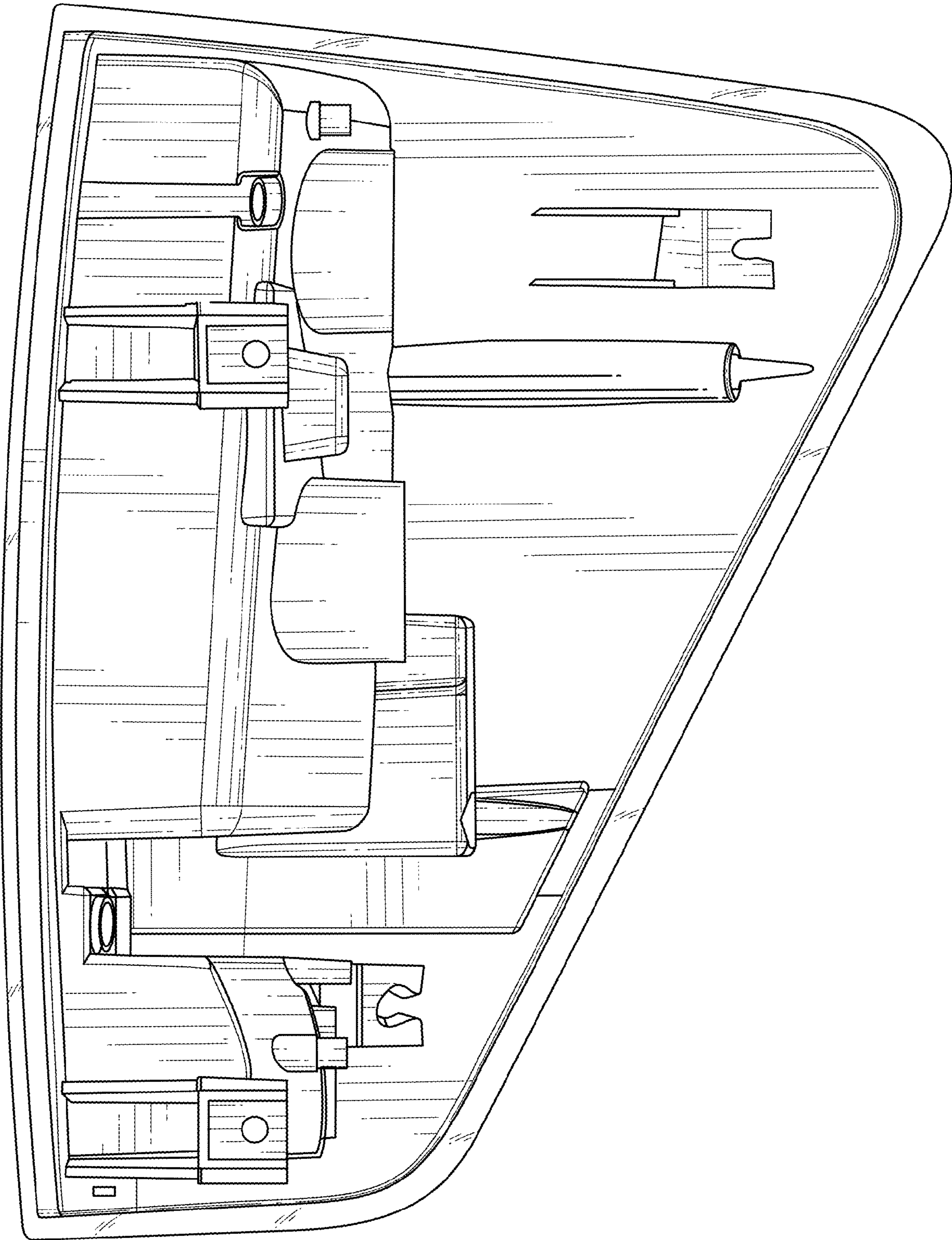


FIG. 5

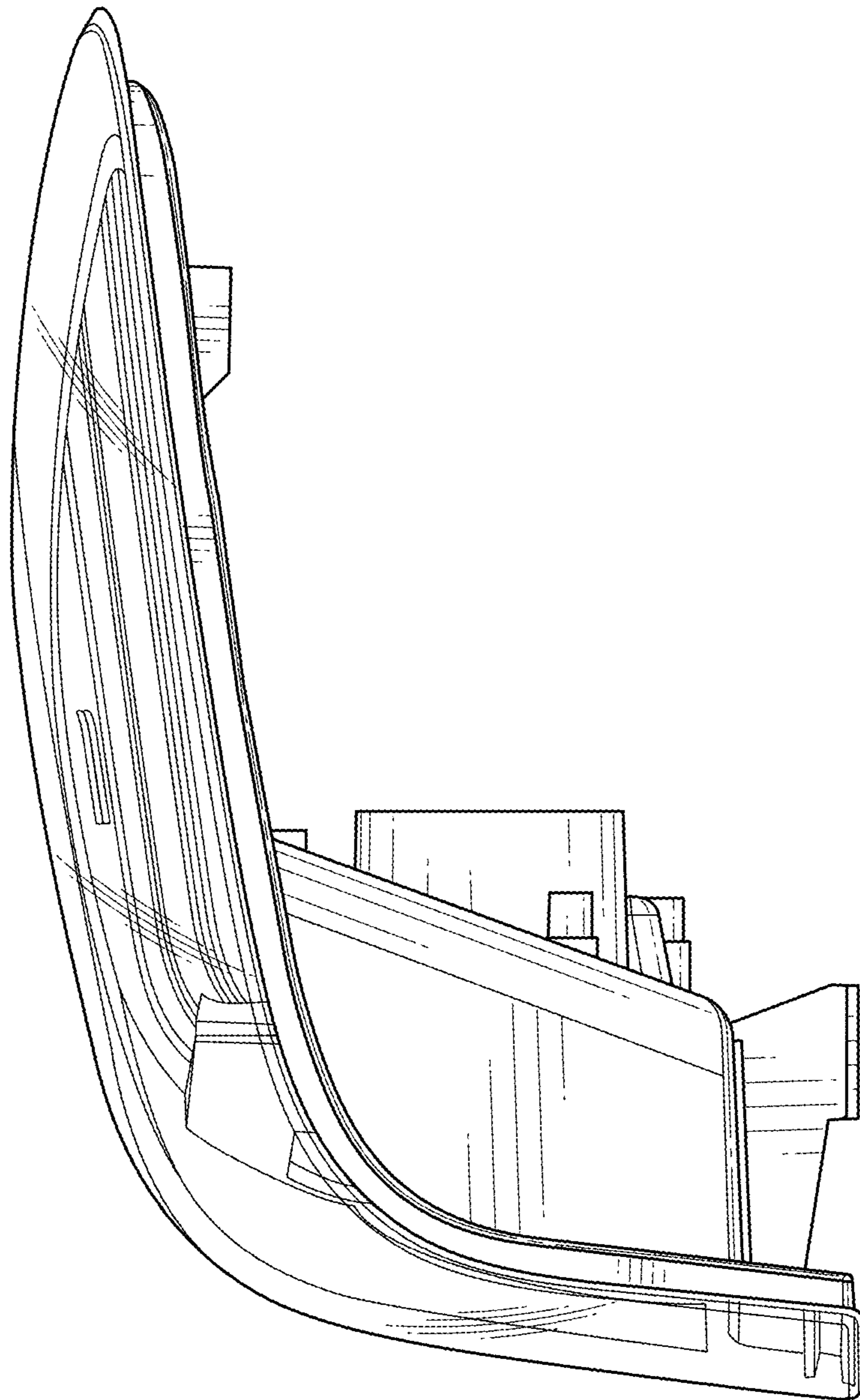


FIG. 6

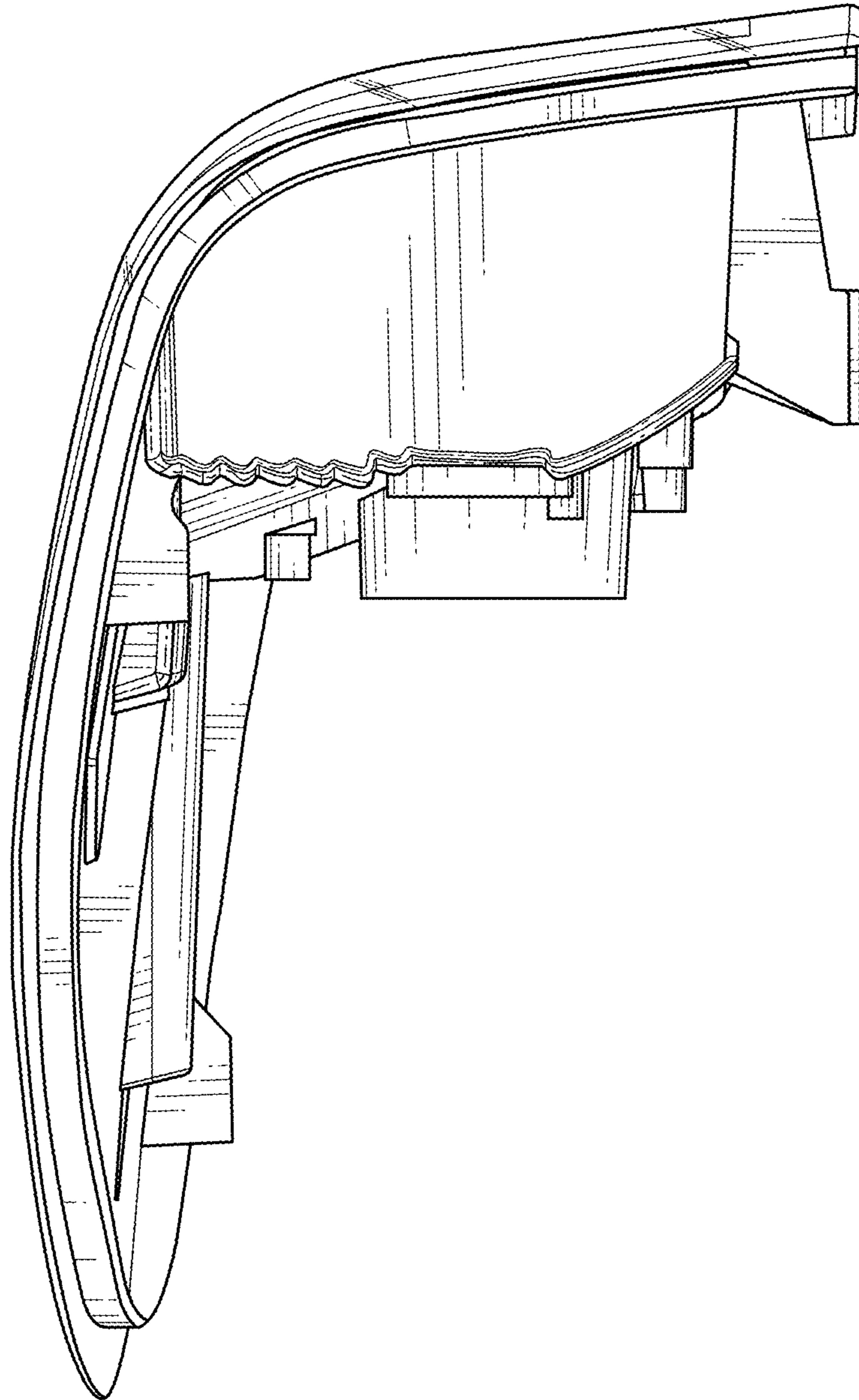


FIG. 7