



US00D955612S

(12) **United States Design Patent** (10) **Patent No.:** **US D955,612 S**
Tam (45) **Date of Patent:** **** Jun. 21, 2022**

(54) **BRAKE LIGHT**

OTHER PUBLICATIONS

- (71) Applicant: **DNA Motor Inc.**, Arcadia, CA (US)
- (72) Inventor: **Paul Tam**, Diamond Bar, CA (US)
- (73) Assignee: **DNA MOTOR INC.**, Arcadia, CA (US)
- (**) Term: **15 Years**
- (21) Appl. No.: **29/741,464**
- (22) Filed: **Jul. 13, 2020**
- (51) **LOC (13) Cl.** **26-06**
- (52) **U.S. Cl.**
USPC **D26/28**
- (58) **Field of Classification Search**
USPC D26/28-36
CPC .. F21S 41/00; F21S 41/16; F21S 41/43; F21S 41/141; F21S 41/162; F21S 41/18; F21S 41/20; B60Q 1/04; F21W 2103/40; F21W 2103/35; F21W 2107/17; F21W 2107/13
See application file for complete search history.

“LED Third Brake Light” by Online LED Store, first visited on Feb. 28, 2022 via URL: <<https://www.online-led-store.com/5-diode-led-third-brake-light-for-jeep-jl-red-lense-cazledtbl2791-rd>>.*

* cited by examiner

Primary Examiner — Marissa J Cash
Assistant Examiner — Nishaad Sebastian Lorengo
(74) *Attorney, Agent, or Firm* — Innovation Capital Law Group, LLP; Vic Lin

(56) **References Cited**

U.S. PATENT DOCUMENTS

D330,946 S *	11/1992	Dieperink	D26/77
D768,896 S *	10/2016	Smith	D26/31
D782,090 S *	3/2017	Graham	D26/31
D807,550 S *	1/2018	Tong	D26/35
D855,237 S *	7/2019	Liu	D26/76
10,364,971 B2 *	7/2019	Harrison	H05B 45/30
D865,247 S *	10/2019	Grewer	D26/31
D922,635 S *	6/2021	Gong	D26/35
D929,627 S *	8/2021	Kujawa	D26/31

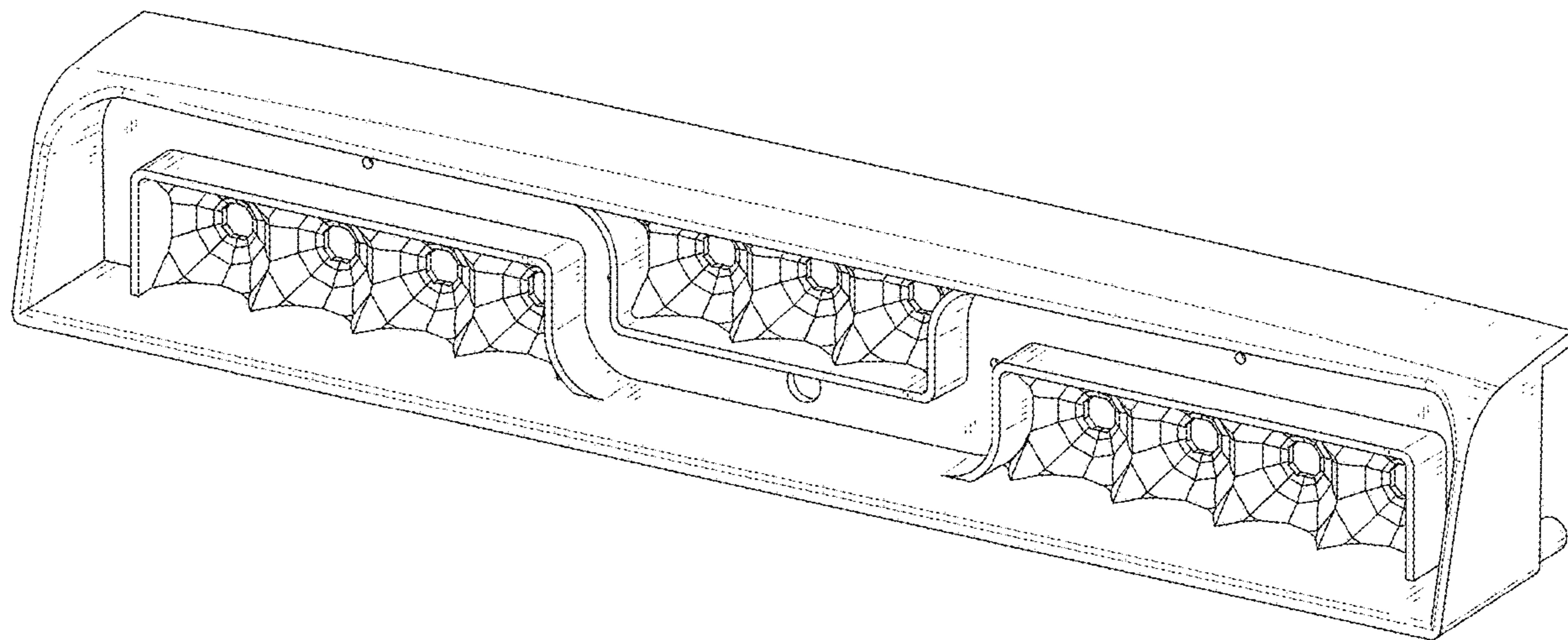
(57) **CLAIM**

The ornamental design for a brake light, as shown and described.

DESCRIPTION

FIG. 1 is a front elevation view of a brake light, showing my new design;
FIG. 2 is a rear elevation view thereof;
FIG. 3 is a left side elevation view thereof;
FIG. 4 is a right side elevation view thereof;
FIG. 5 is a top plan view thereof;
FIG. 6 is a bottom plan view thereof;
FIG. 7 is a top perspective view thereof; and,
FIG. 8 is a bottom perspective view thereof.
The broken line portion of the figures is included to show unclaimed subject matter only and forms no part of the claimed design.

1 Claim, 8 Drawing Sheets



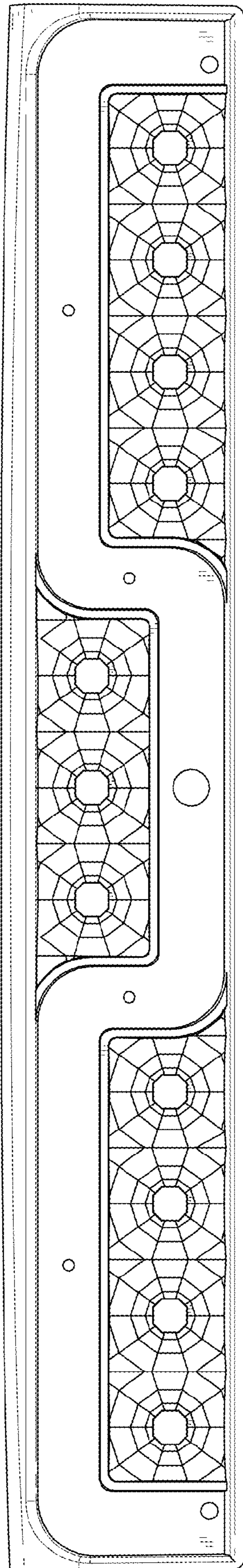


FIG. 1

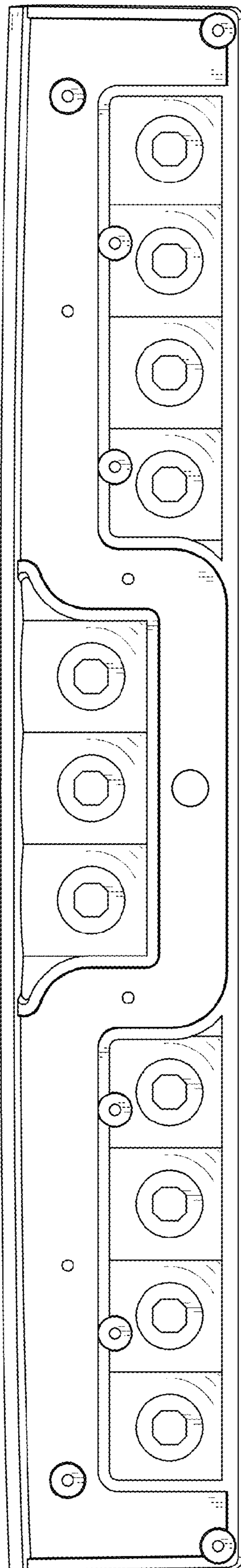


FIG. 2

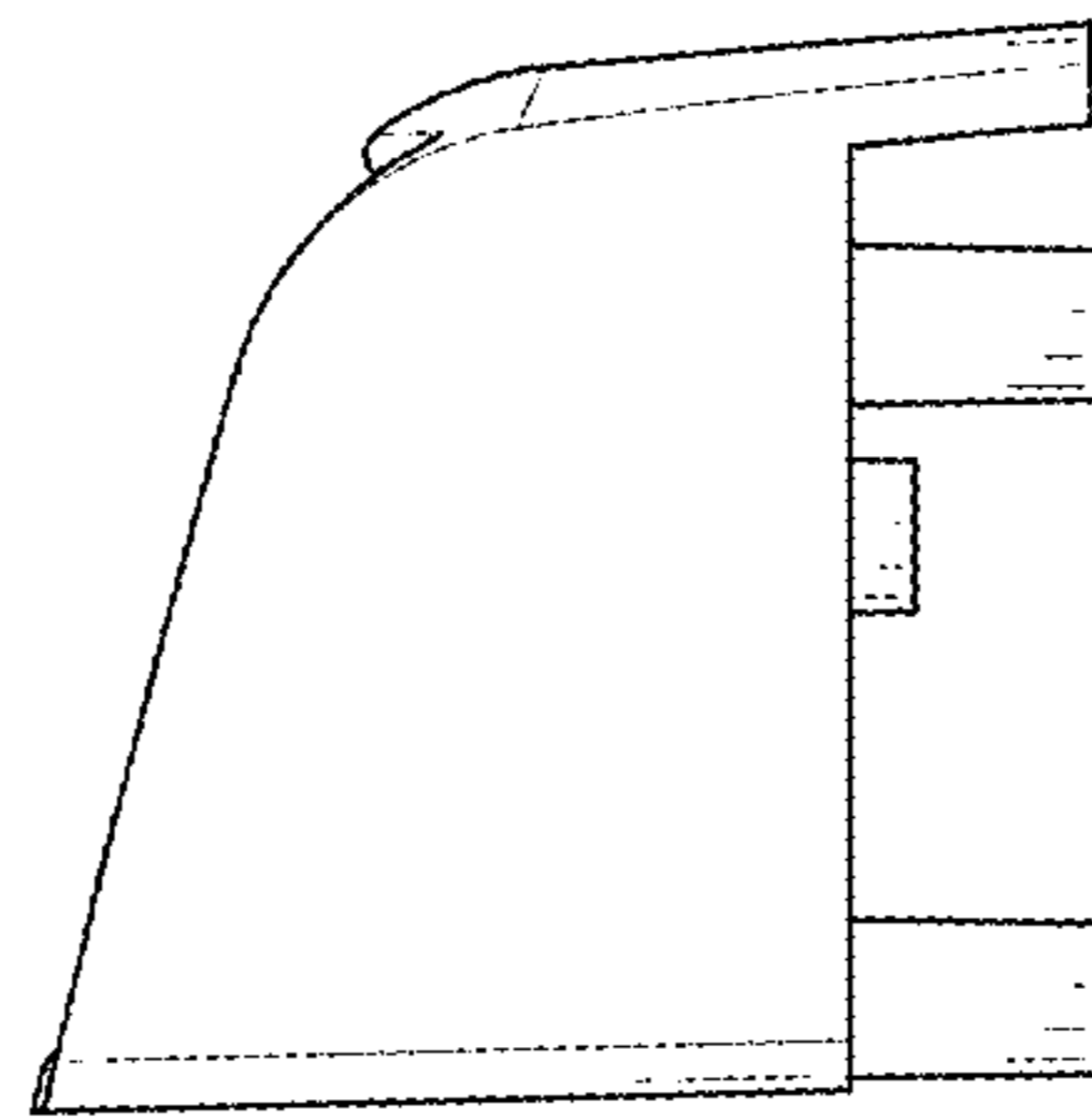


FIG. 3

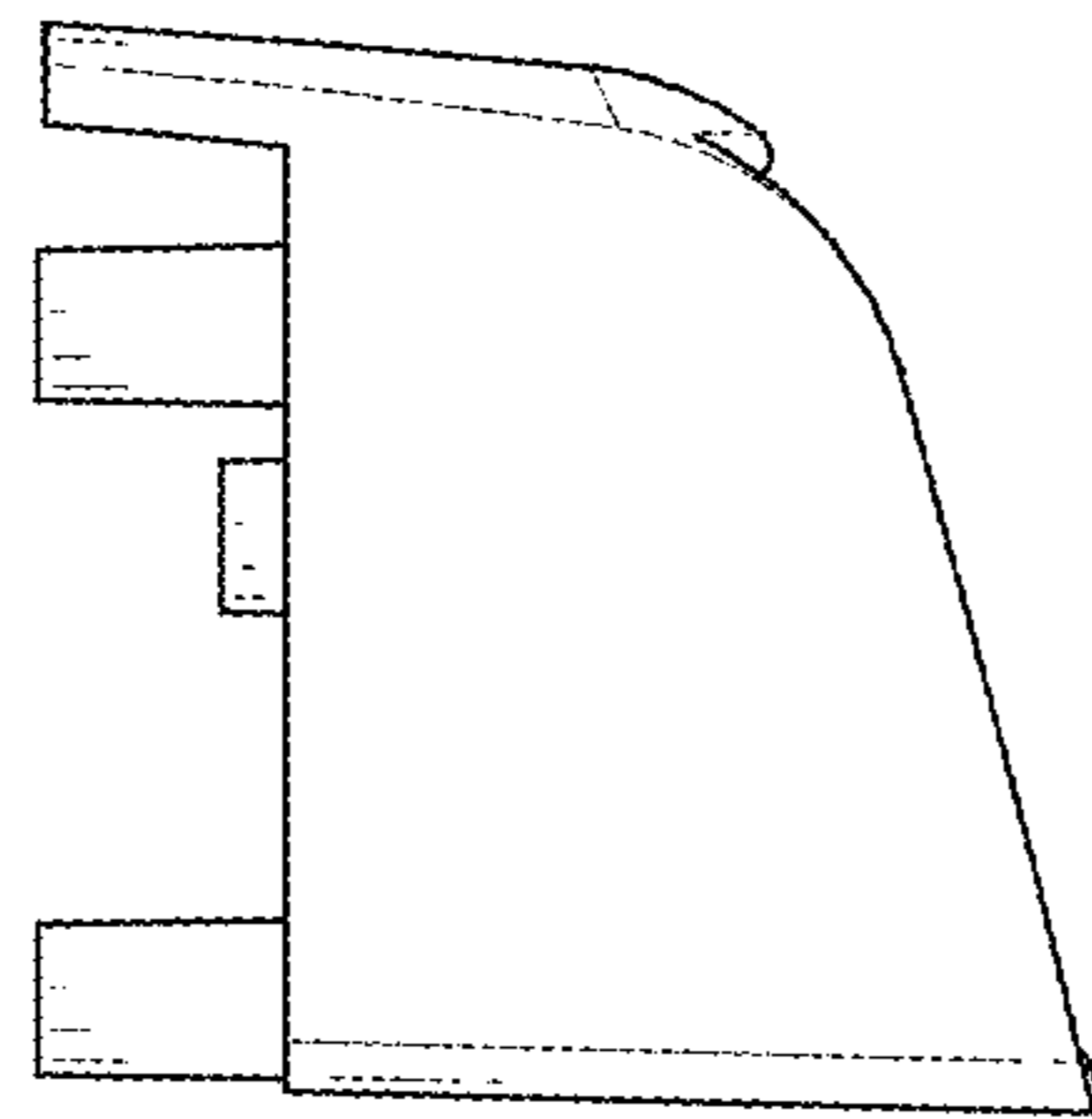


FIG. 4

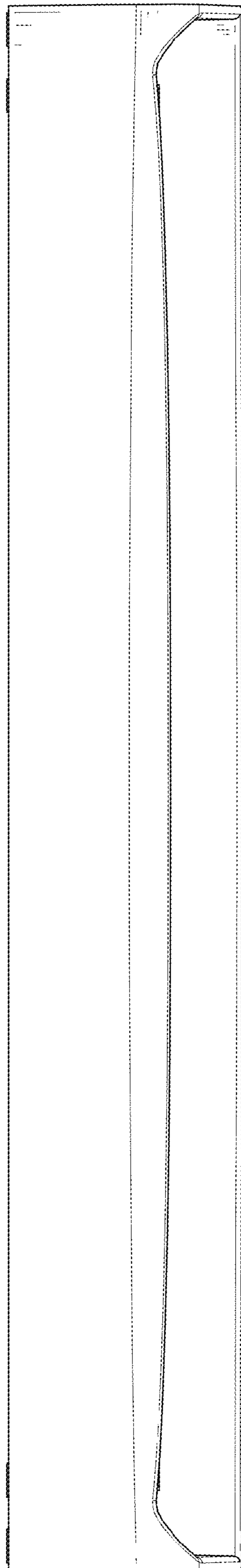


FIG. 5

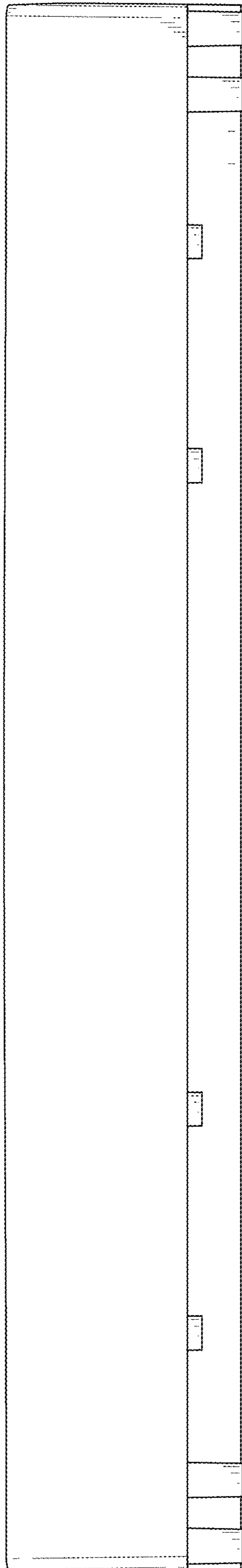


FIG. 6

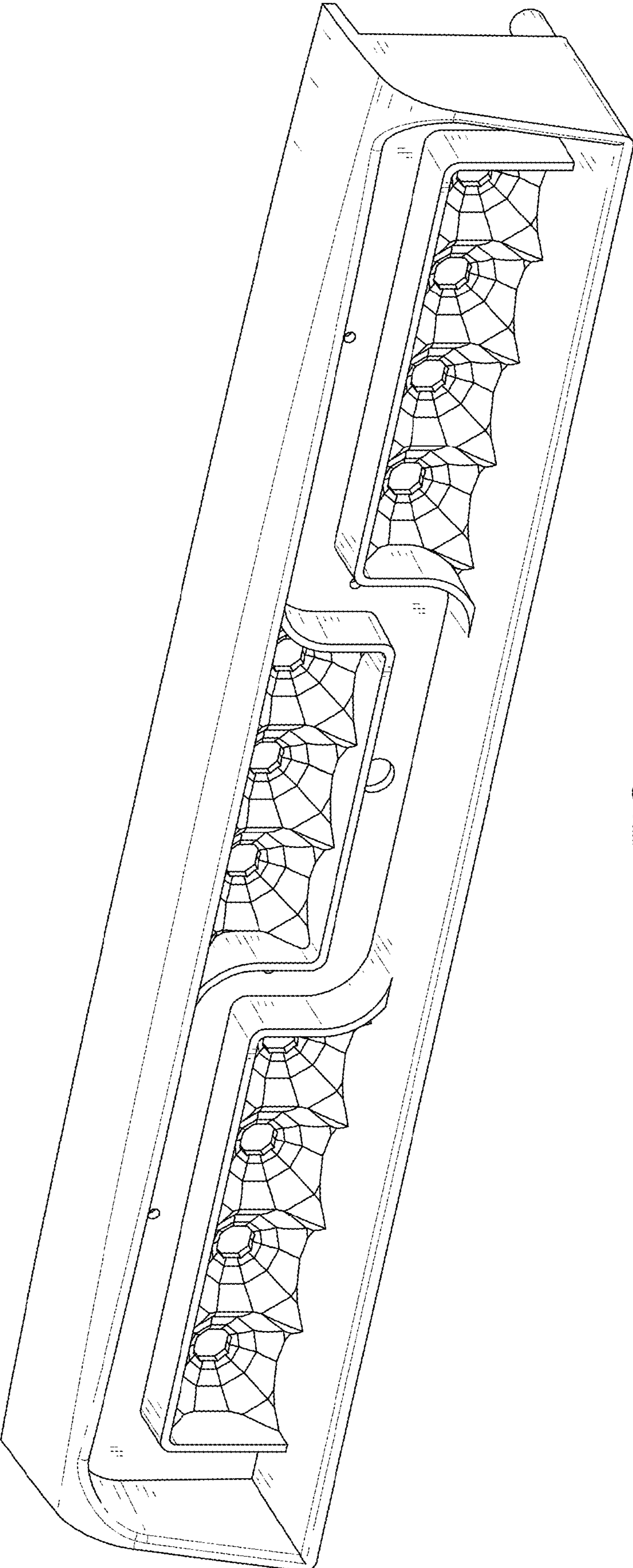


FIG. 7

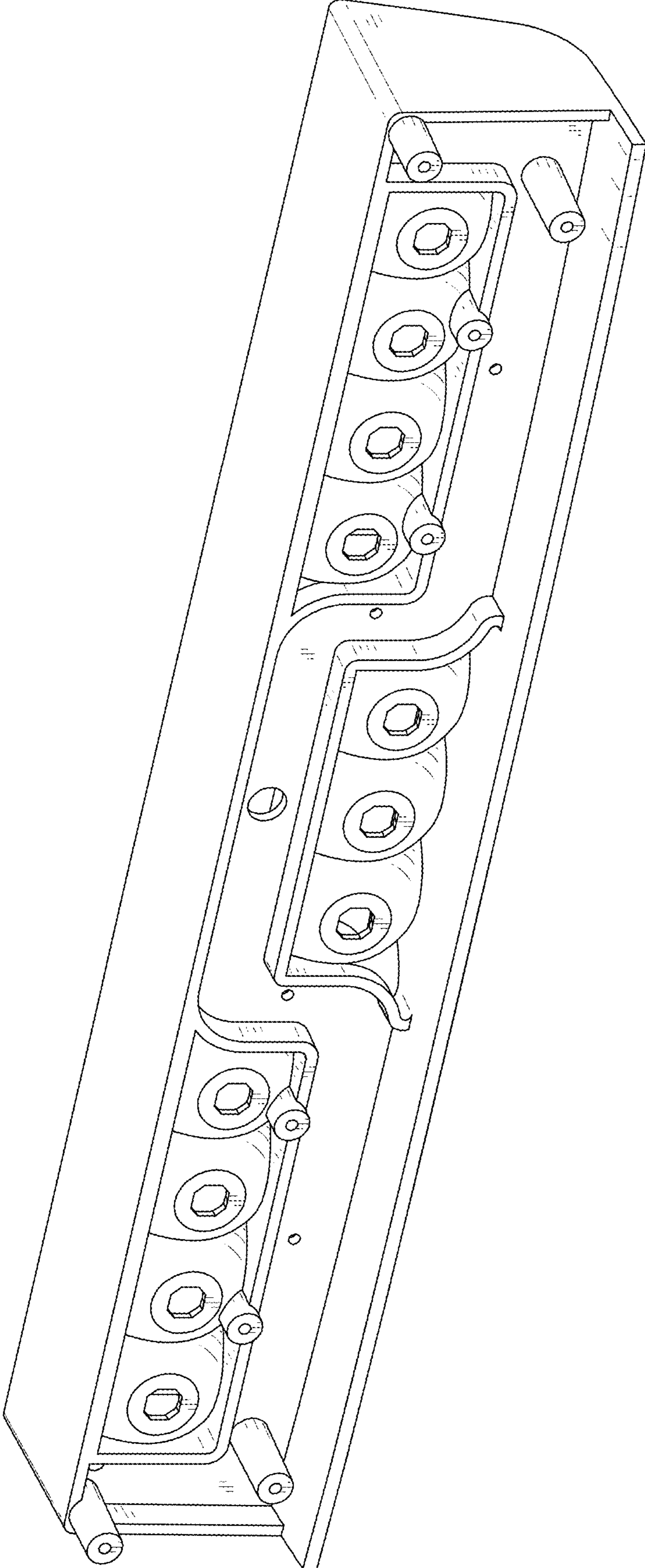


FIG. 8