



US00D955609S

(12) **United States Design Patent**
Kennedy

(10) **Patent No.:** **US D955,609 S**

(45) **Date of Patent:** **** Jun. 21, 2022**

(54) **FLASHING FOR CHANNELING ROOF WATER**

(71) Applicant: **John H Kennedy**, Maumee, OH (US)

(72) Inventor: **John H Kennedy**, Maumee, OH (US)

(**) Term: **15 Years**

(21) Appl. No.: **29/733,806**

(22) Filed: **May 6, 2020**

(51) **LOC (13) Cl.** **25-01**

(52) **U.S. Cl.**
USPC **D25/199**

(58) **Field of Classification Search**
USPC D25/48.2, 55, 60, 119, 125, 136, 138, 199
CPC . E04D 13/04; E04D 13/0459; E04D 13/0481; E04D 13/1475; E04D 13/1478; E04D 1/36; E04D 2013/0468; E04D 2013/0486
See application file for complete search history.

(56) **References Cited**

U.S. PATENT DOCUMENTS

- 5,077,943 A * 1/1992 McGady E04D 13/1475 D25/199
- 5,333,419 A * 8/1994 Hickner E04D 13/1478 52/60
- D378,422 S * 3/1997 Howe D25/199
- 5,675,939 A * 10/1997 Hickner E04D 13/1478 52/60
- D448,095 S * 9/2001 Merideth D25/199
- 6,754,993 B1 * 6/2004 Mayle E04D 13/1407 52/287.1
- 7,735,291 B2 * 6/2010 Summy E06B 1/62 52/60
- 8,161,689 B1 * 4/2012 Butzen E06B 1/62 52/58
- D719,279 S * 12/2014 Hoskinson D25/55

- 9,032,688 B2 * 5/2015 Summy E04B 1/665 52/60
- 9,068,354 B2 * 6/2015 Railkar E04D 13/1475
- D902,446 S * 11/2020 Thompson E04D 13/0481 D25/199
- 2005/0115160 A1 * 6/2005 Brochu E04D 13/0481 52/11
- 2005/0183345 A1 * 8/2005 Allen E04D 13/1478 52/58
- 2013/0192145 A1 * 8/2013 Hoch E04D 13/1475 52/58

FOREIGN PATENT DOCUMENTS

KR 3020050000771 * 7/2005

OTHER PUBLICATIONS

DIY Kickout Flashing_Pro Remodeler <https://www.proremodeler.com/diy-kickout-flashing> Aug. 22, 2016 (Year: 2016).*

* cited by examiner

Primary Examiner — Leanne Was-Englehart
(74) *Attorney, Agent, or Firm* — Barry Choobin; Patent 360

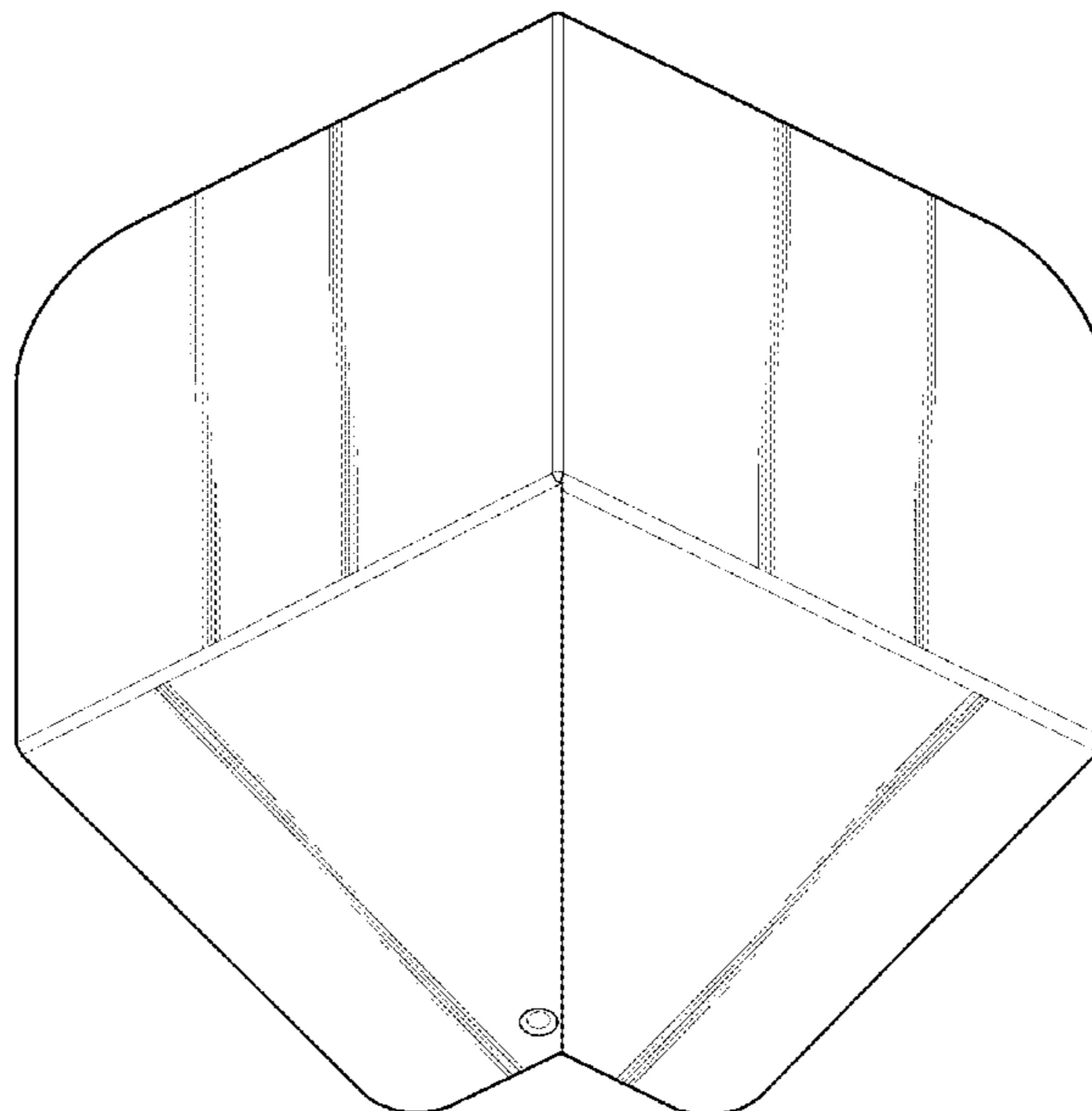
(57) **CLAIM**

The ornamental design for a flashing for channeling roof water, as shown and described herein.

DESCRIPTION

FIG. 1 is a perspective view of the flashing for channeling roof water, showing my new design.
FIG. 2 is a front view thereof;
FIG. 3 is a rear view thereof;
FIG. 4 is a top view thereof;
FIG. 5 is a bottom view thereof.
FIG. 6 is a right-side view thereof; and,
FIG. 7 is a left-side view thereof.

1 Claim, 7 Drawing Sheets



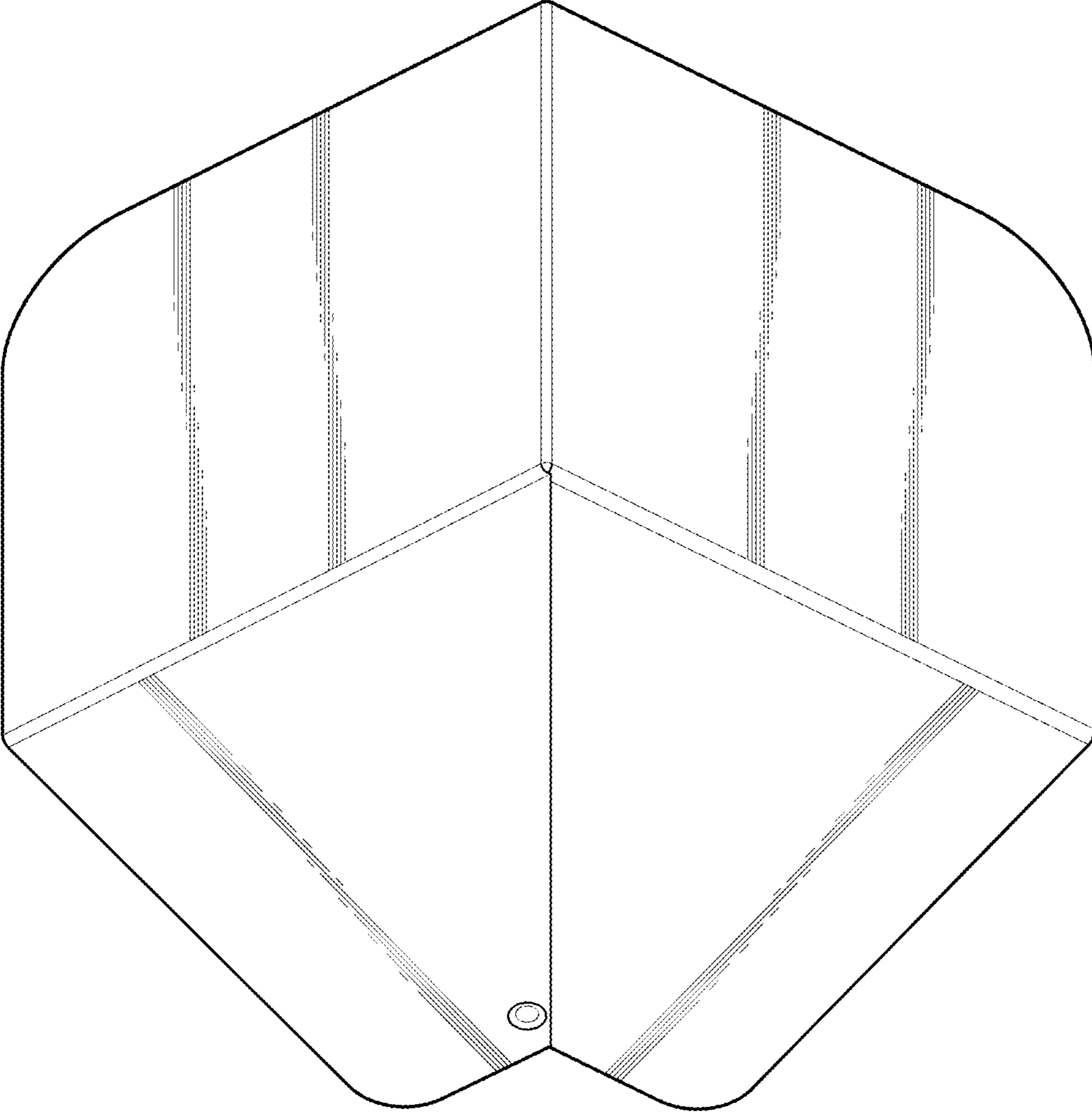


FIG. 1

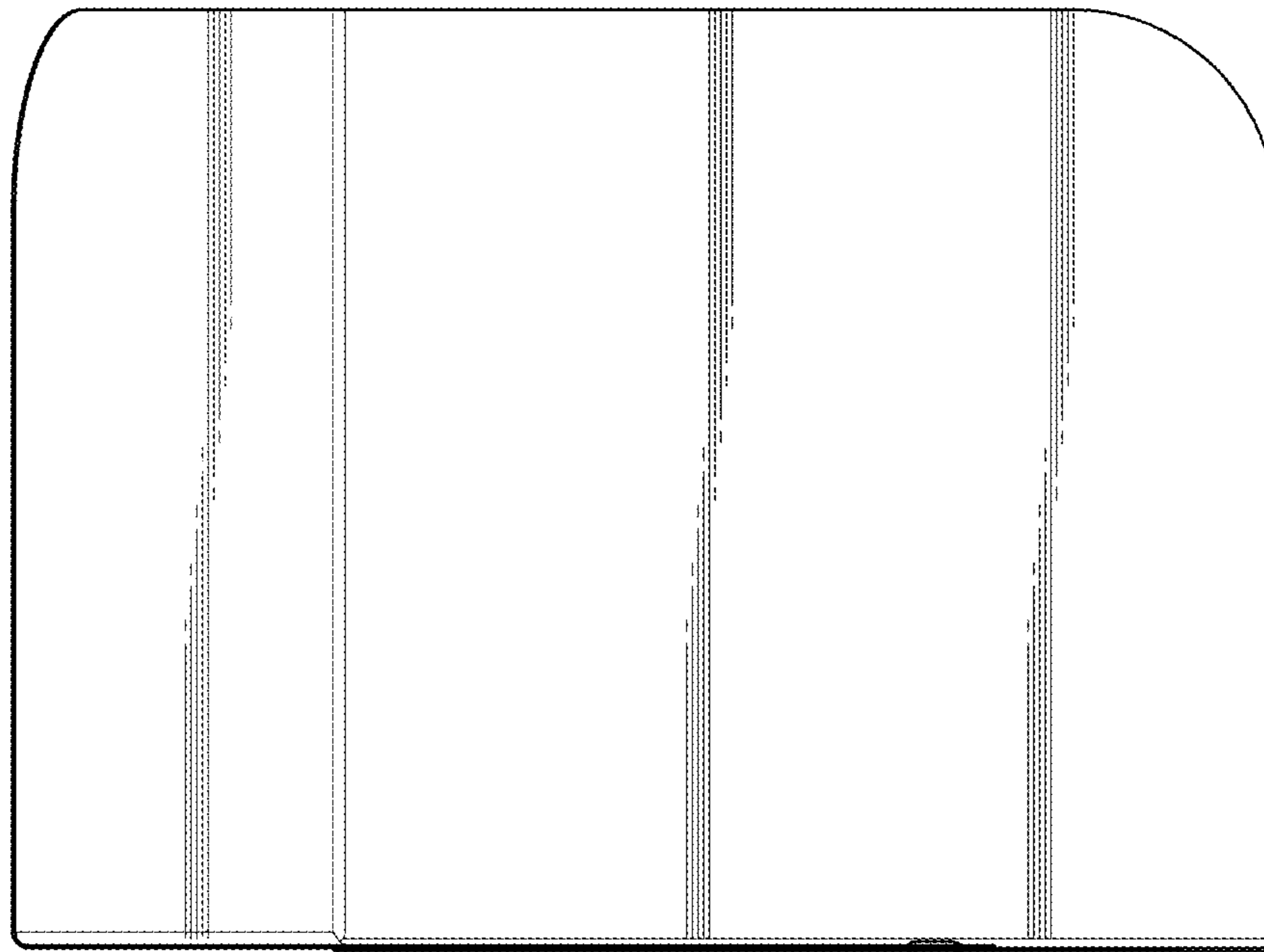


FIG. 2

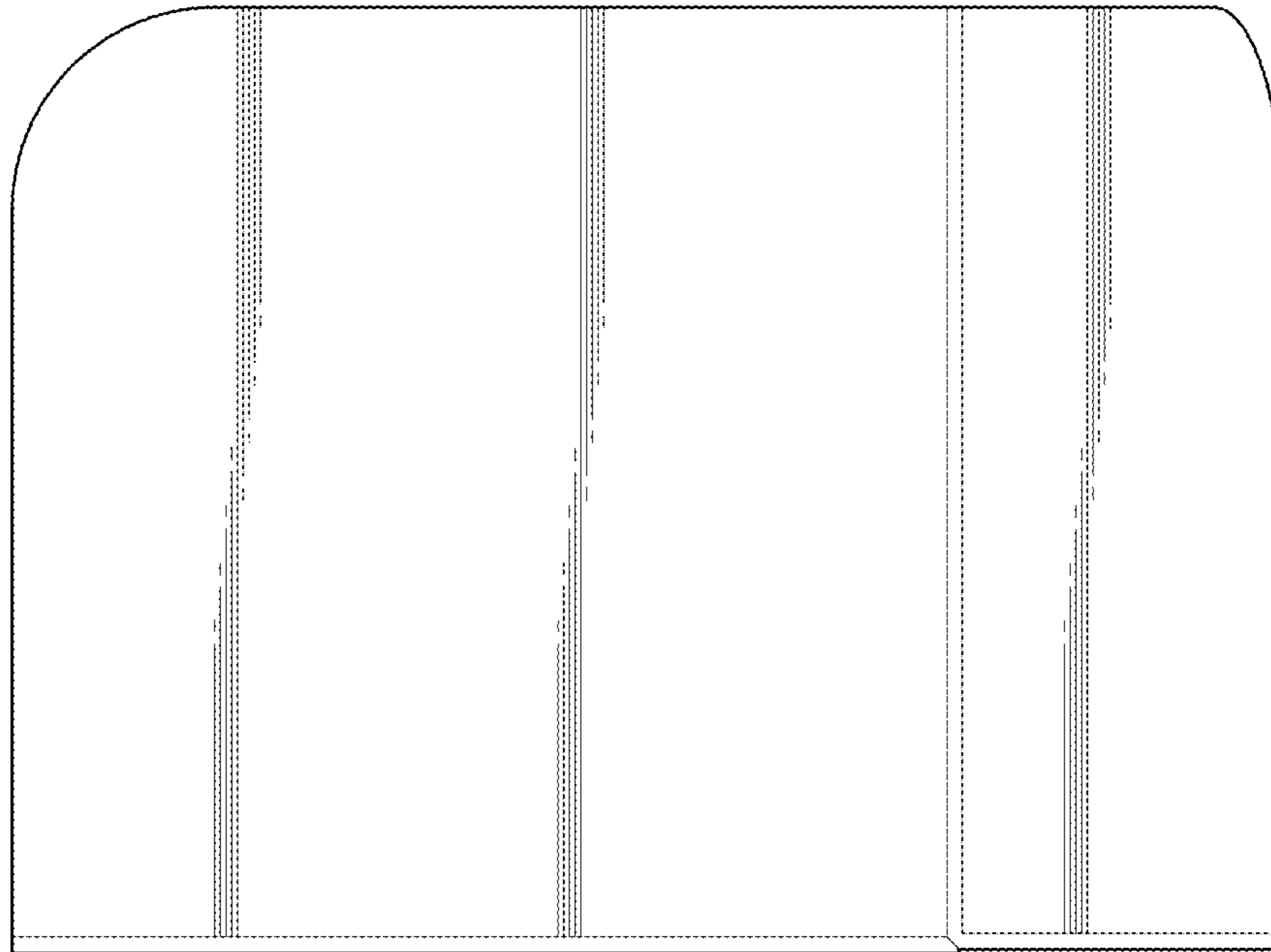


FIG. 3

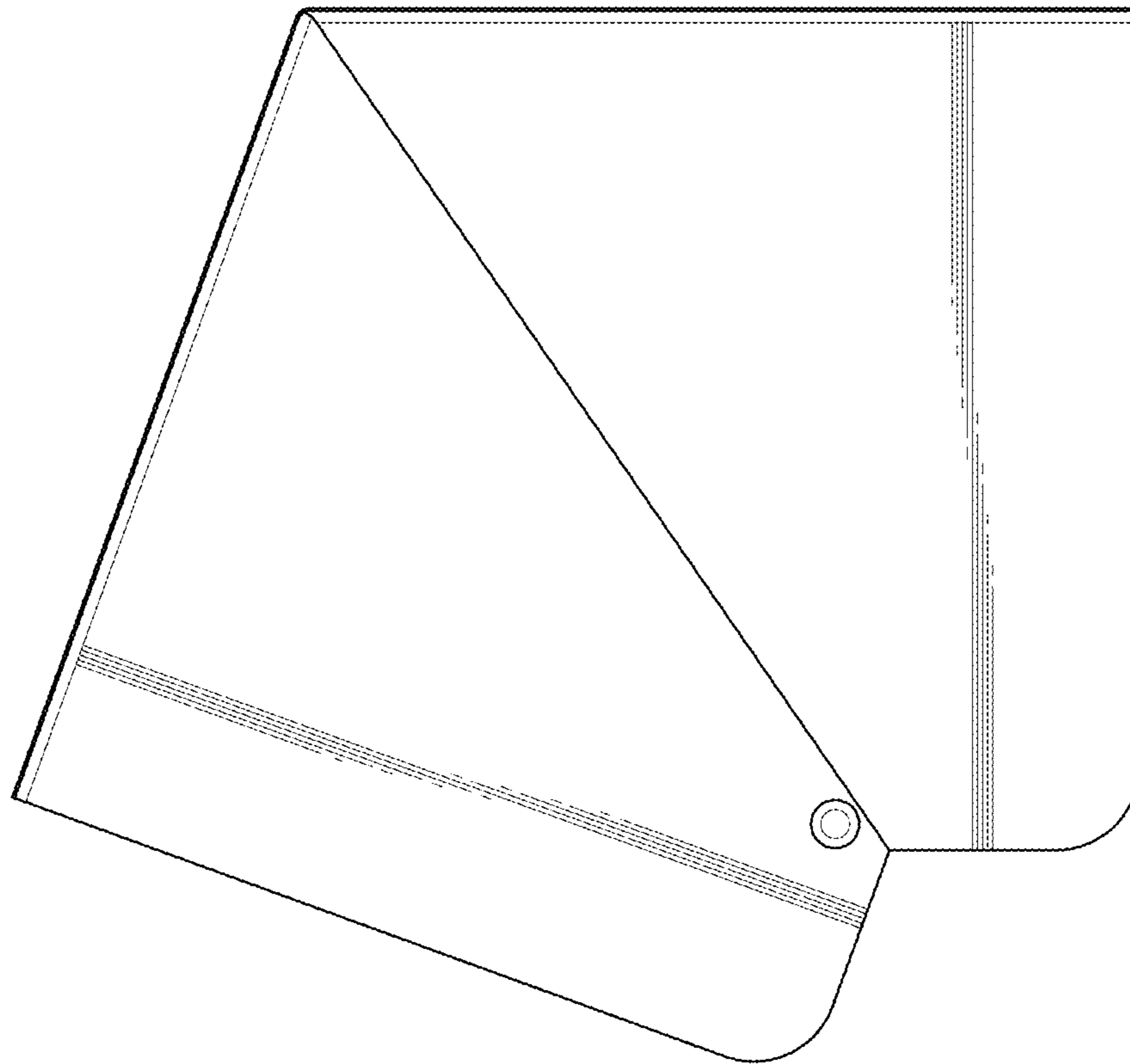


FIG. 4

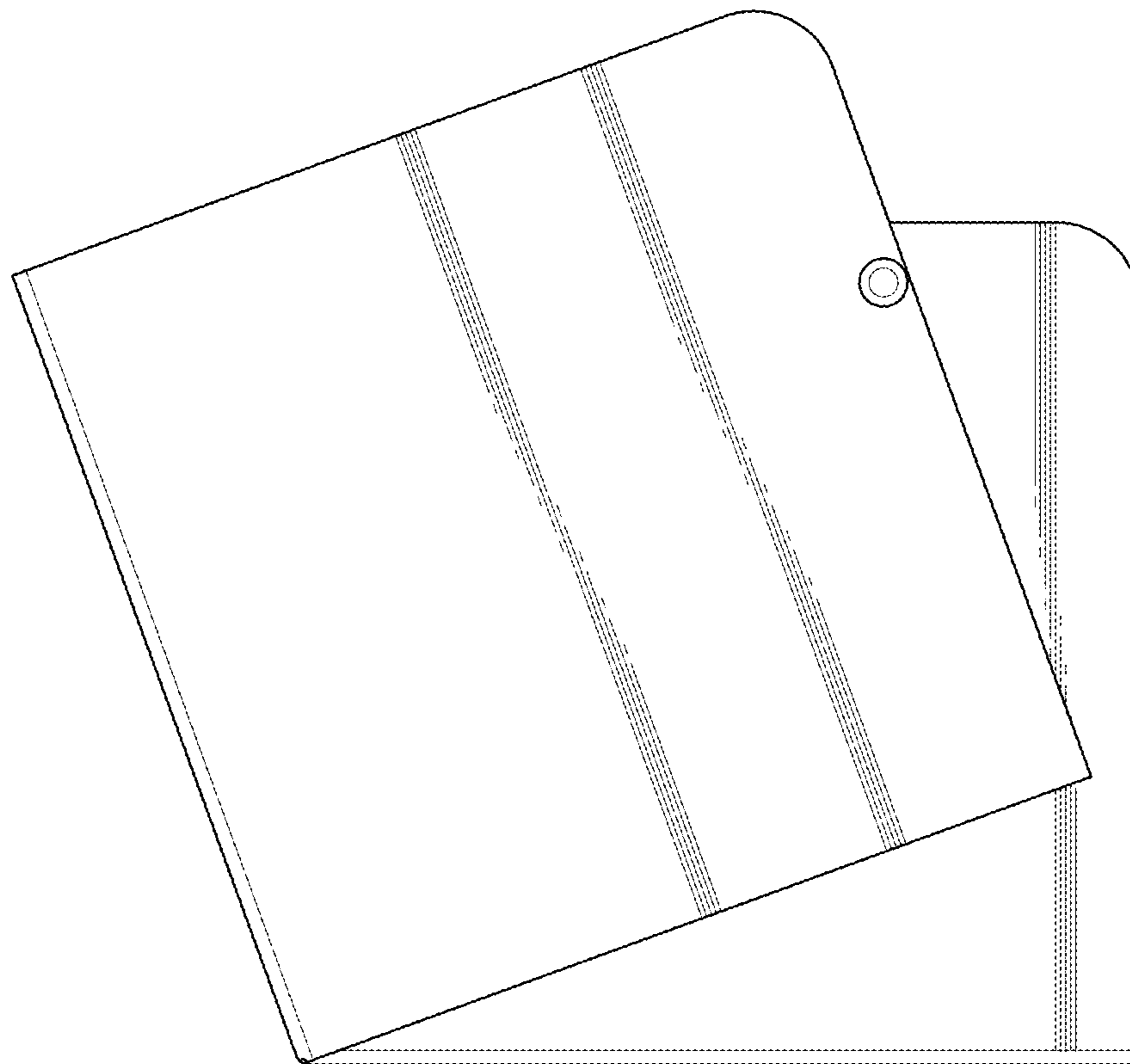


FIG. 5

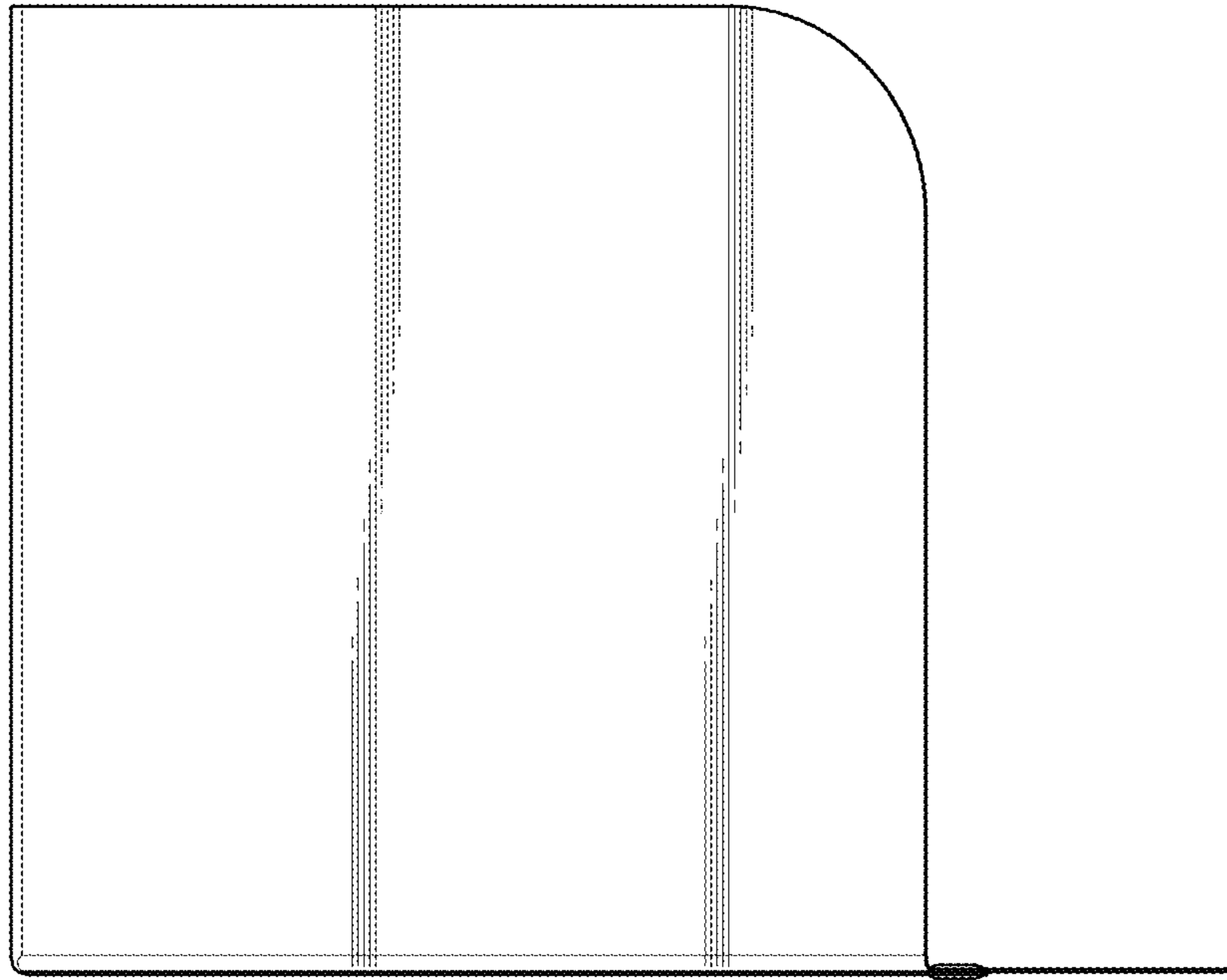


FIG. 6

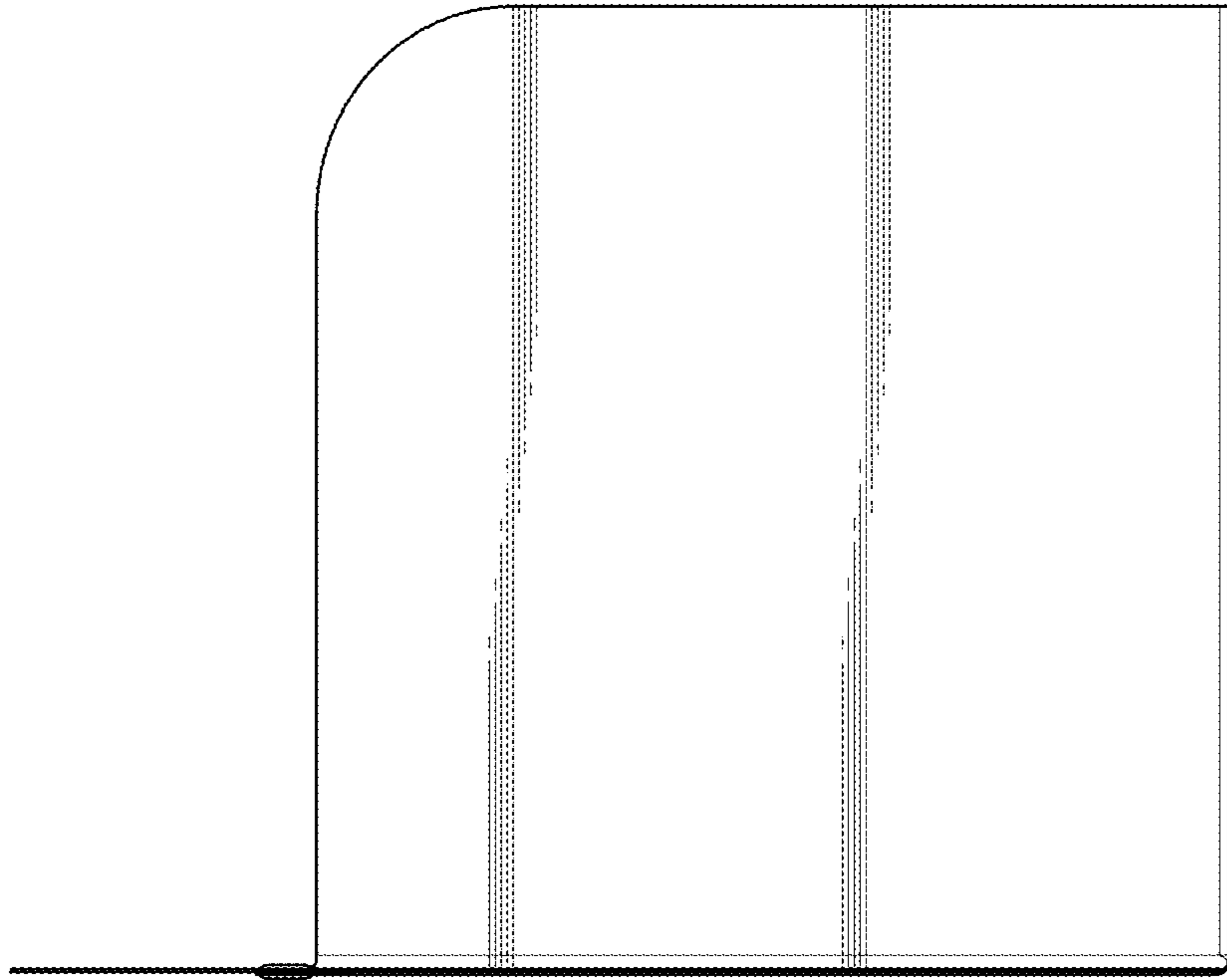


FIG. 7