



US00D955604S

(12) **United States Design Patent**  
**Simonetti**

(10) **Patent No.:** **US D955,604 S**  
(45) **Date of Patent:** **\*\* Jun. 21, 2022**

(54) **GARDEN SHED**

(71) Applicant: **PLAST-MECCANICA SOCIETA'**  
**PER AZIONI**, Castelbellino (IT)

(72) Inventor: **Lorenzo Simonetti**, Jesi (IT)

(\*\*) Term: **15 Years**

(21) Appl. No.: **29/678,811**

(22) Filed: **Jan. 31, 2019**

(51) **LOC (13) Cl.** ..... **25-03**

(52) **U.S. Cl.**  
USPC ..... **D25/33**; D6/671.1

(58) **Field of Classification Search**  
USPC ..... D25/48.2, 48.3, 33, 16, 59, 22, 15, 17,  
D25/18, 29, 32, 30, 34; D6/663, 667,  
D6/671.1; D34/7, 8, 11, 1; D30/108;  
D3/273, 294  
CPC ..... E04H 6/005; E04H 1/12; E04H 1/1216;  
E04H 1/1205; E04B 1/34321; E04B  
2001/34389

See application file for complete search history.

(56) **References Cited**

**U.S. PATENT DOCUMENTS**

D300,362 S *	3/1989	Adams	.....	D25/16
D332,332 S *	1/1993	Markey	.....	D34/1
D335,012 S *	4/1993	Broussard	.....	D6/667
D384,419 S *	9/1997	Dickinson	.....	D25/16
D393,724 S *	4/1998	Sagol	.....	D25/16
D411,625 S *	6/1999	Fuller	.....	D25/56
D455,501 S *	4/2002	Greene	.....	D25/33
D468,026 S *	12/2002	Tisbo	.....	D25/33
D622,861 S *	8/2010	Vogler	.....	D25/33
D631,170 S *	1/2011	Labreck	.....	D25/33
D639,450 S *	6/2011	Vogler	.....	D25/33
D653,354 S *	1/2012	Uffner	.....	D25/32
8,511,001 B2 *	8/2013	Uffner	.....	E04B 1/34321 52/66
D691,285 S *	10/2013	Thuma	.....	D25/33
D730,541 S *	5/2015	Phillips	.....	D25/33

D767,921 S *	10/2016	Burden	.....	D6/671.1
D797,306 S *	9/2017	Ohanesian	.....	D25/33
D798,470 S *	9/2017	Kroeplien	.....	D25/33
D870,495 S *	12/2019	Guo	.....	D6/671
D880,907 S *	4/2020	Leng	.....	D6/667

(Continued)

**FOREIGN PATENT DOCUMENTS**

GB	4019721	*	5/2011
IL	39649	*	9/2004

**OTHER PUBLICATIONS**

Keter Store-It-Out, Sep. 28, 2013 (User Review), Walmart, <https://www.walmart.com/ip/Keter-Store-It-Out-Midi-30-Cu-Ft-Resin-Shed-All-Weather-Plastic-Outdoor-Storage-Beige-Taupe/438112659> (Year: 2013).\*

(Continued)

*Primary Examiner* — Brett Miller

(74) *Attorney, Agent, or Firm* — Egbert, McDaniel & Swartz, PLLC

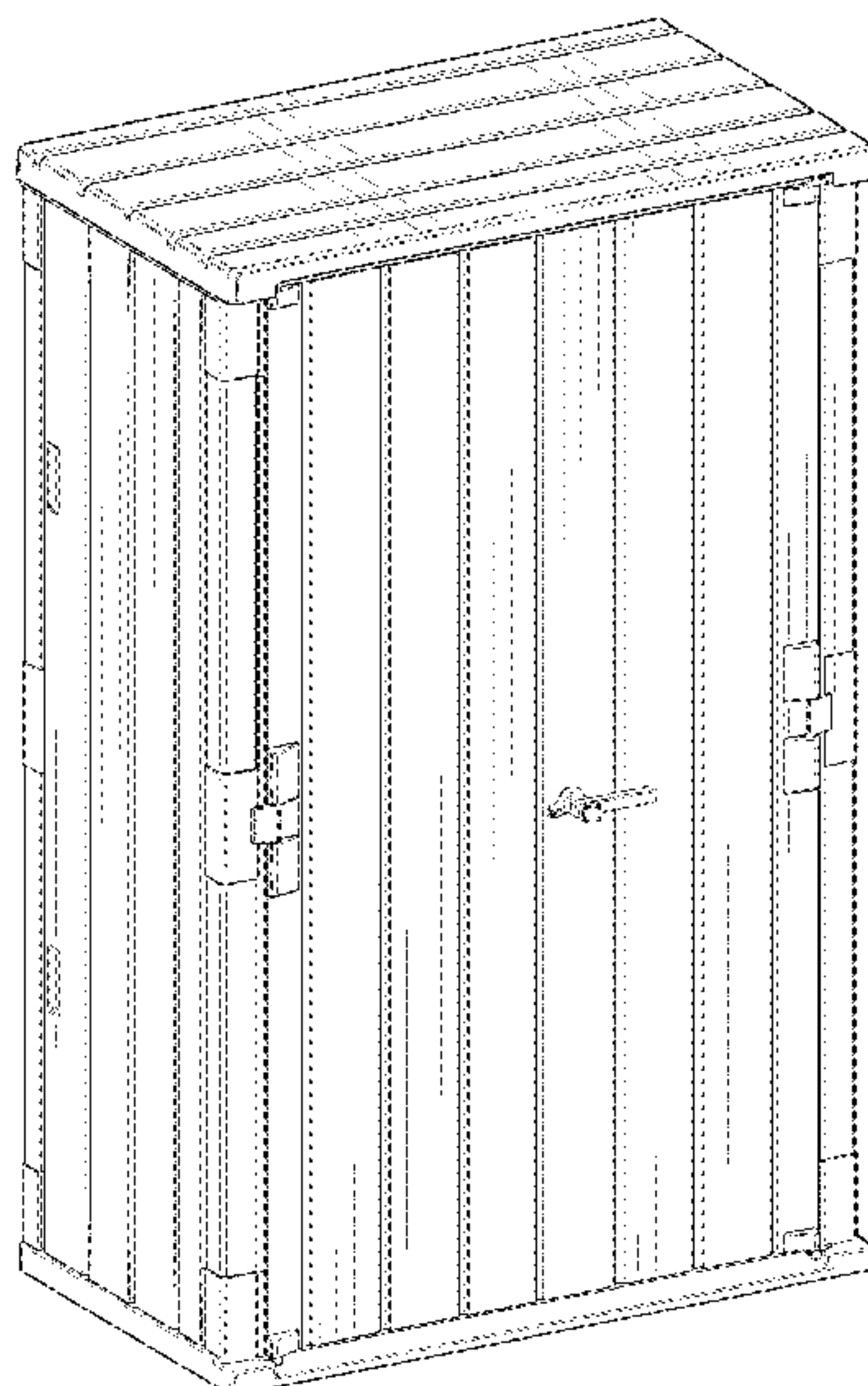
(57) **CLAIM**

The ornamental design for a garden shed, as shown and described.

**DESCRIPTION**

FIG. 1 is a perspective view of a garden shed showing my new design.  
FIG. 2 is a front view thereof;  
FIG. 3 is a rear view thereof;  
FIG. 4 is a left side view thereof;  
FIG. 5 is a right side view thereof;  
FIG. 6 is a top view thereof; and,  
FIG. 7 is a bottom view thereof.  
The features presented in broken lines represent unclaimed portions of the garden shed and form no part of the claimed design.

**1 Claim, 5 Drawing Sheets**



(56)

**References Cited**

U.S. PATENT DOCUMENTS

D881,613 S \* 4/2020 Leng ..... D6/663  
2014/0158702 A1 \* 6/2014 Phillips ..... A47B 47/042  
220/832

OTHER PUBLICATIONS

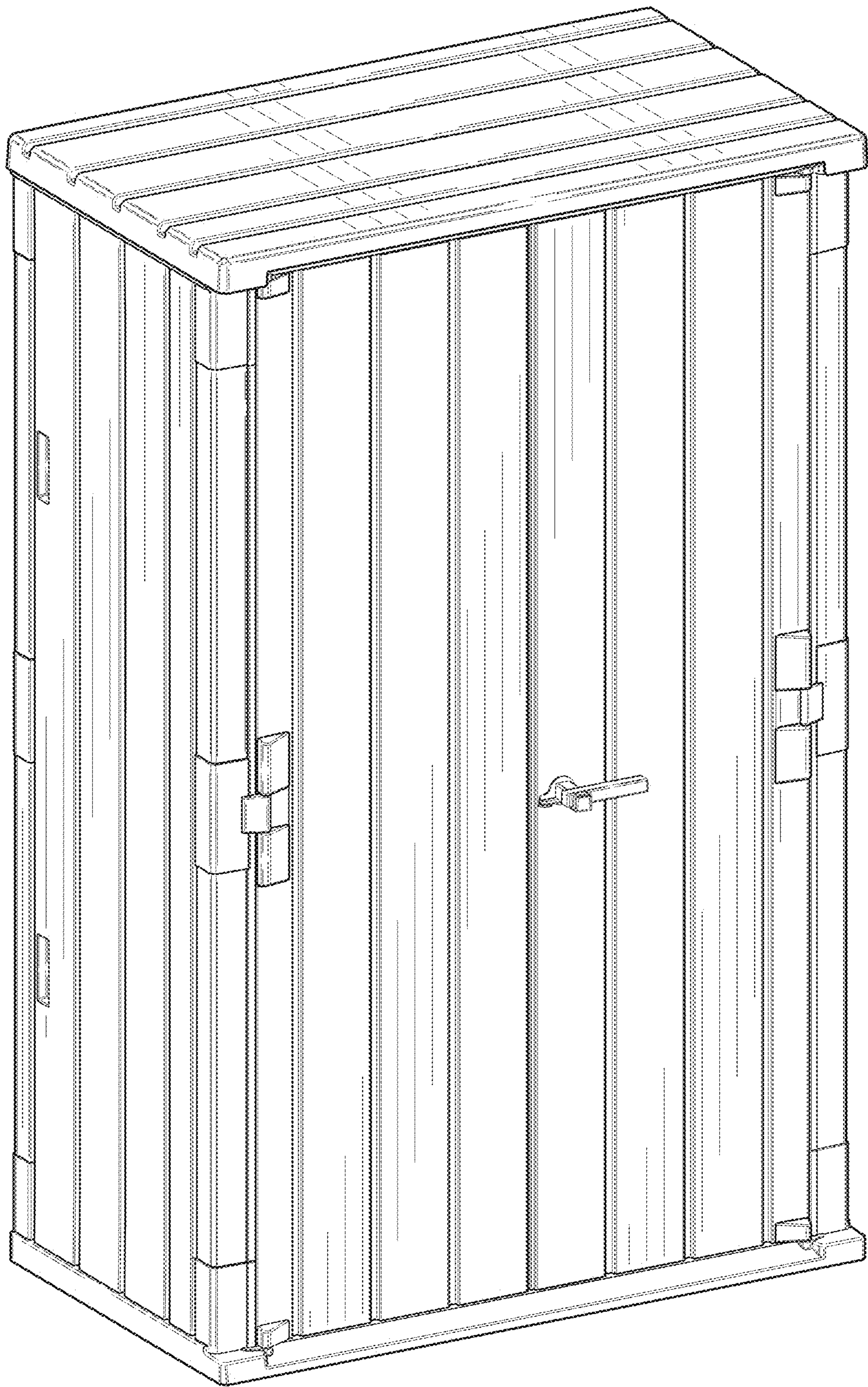
Ultimate Handyman, Keter High store review and how to assemble,  
Dec. 24, 2017, Youtube, <https://www.youtube.com/watch?v=C06G-al2vMU> (Year: 2017).\*

Keter, Patio Store, Feb. 5, 2017, Youtube, <https://www.youtube.com/watch?v=-TCQyN-6RMo> (Year: 2017).\*

Plastmeccanica Spa, Toomax—High Storer Plus, Jan. 15, 2019,  
Youtube, <https://www.youtube.com/watch?v=Key3SCdwd3g> (Year: 2019).\*

\* cited by examiner





*FIG. 1*

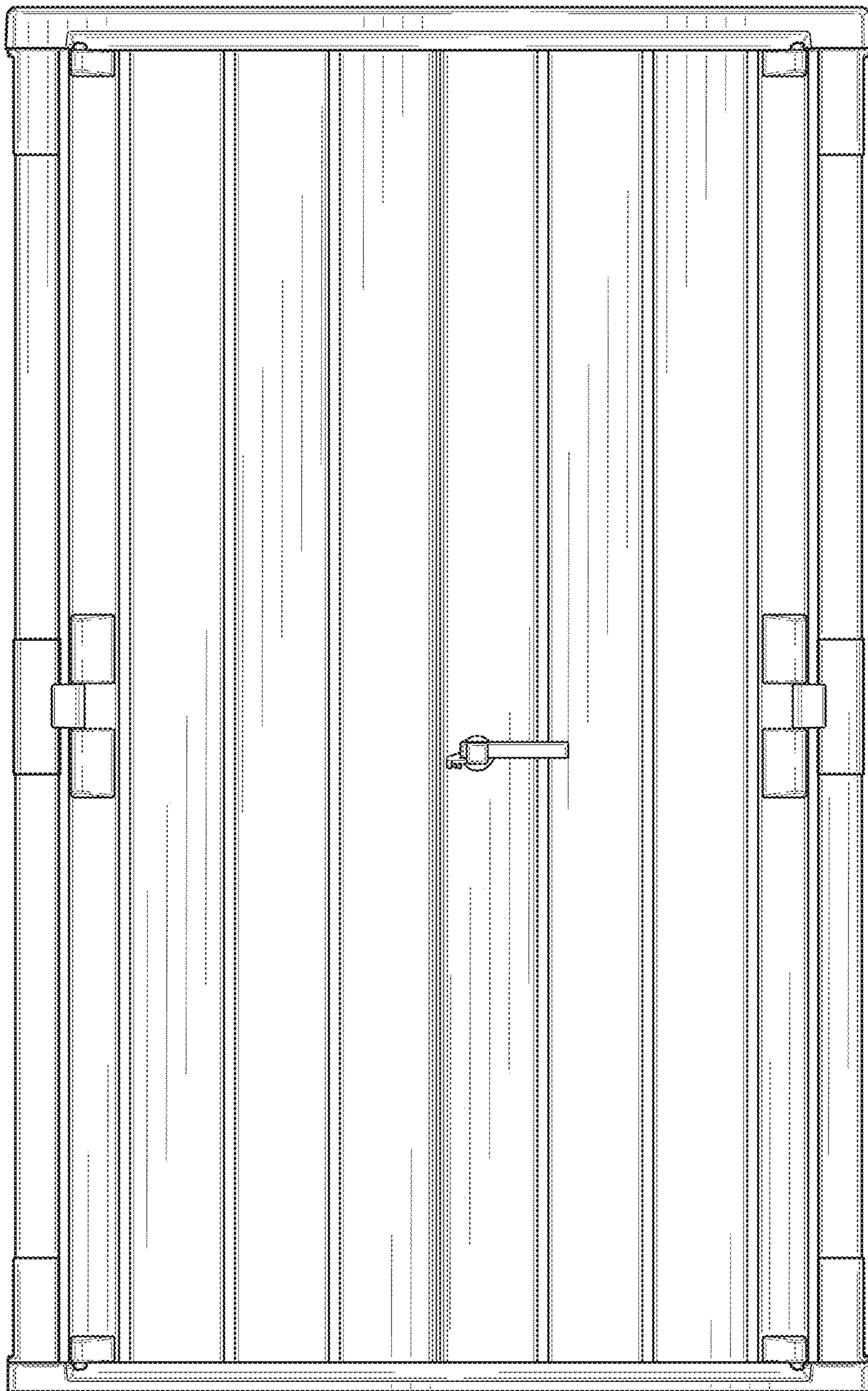


FIG. 2



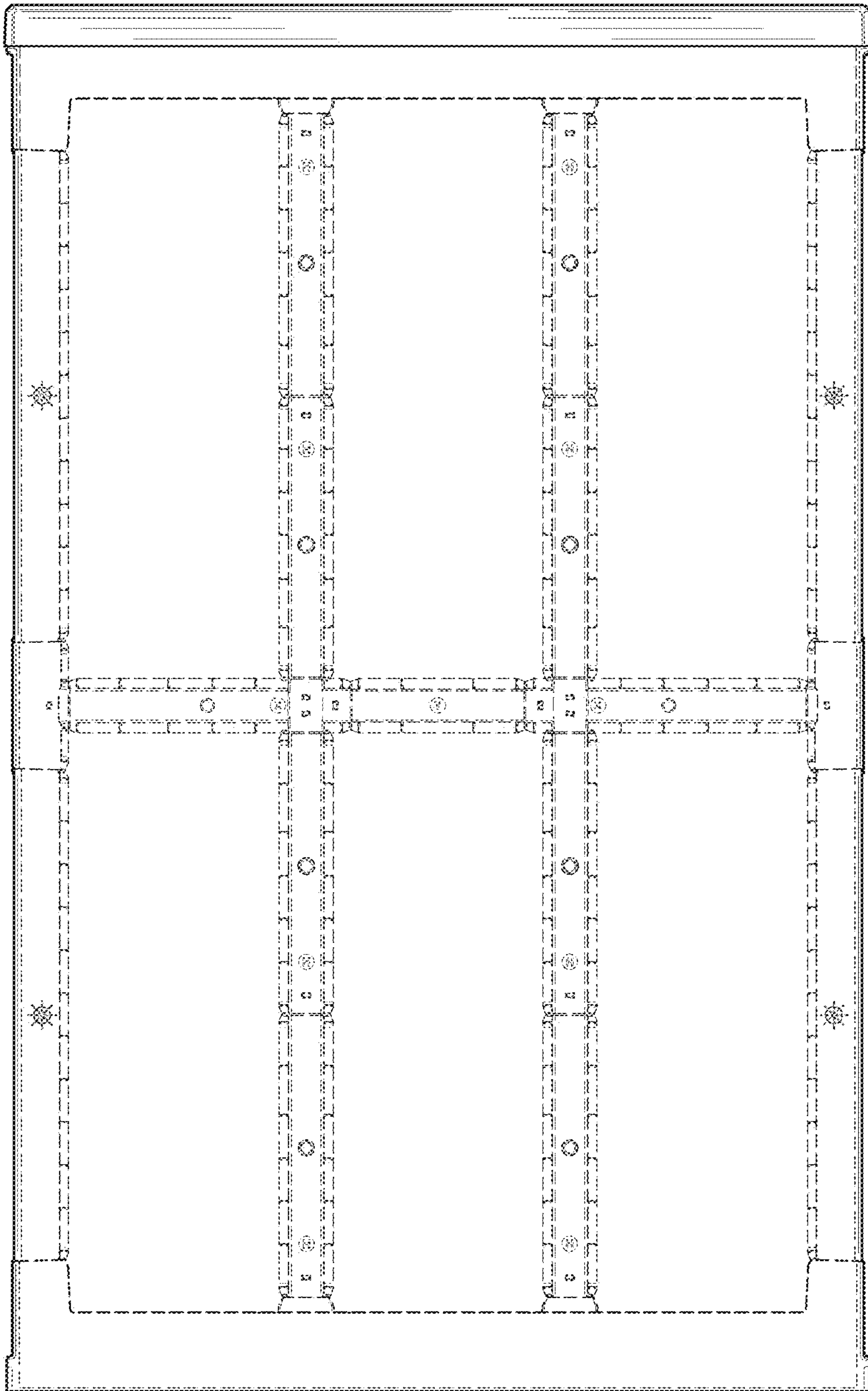
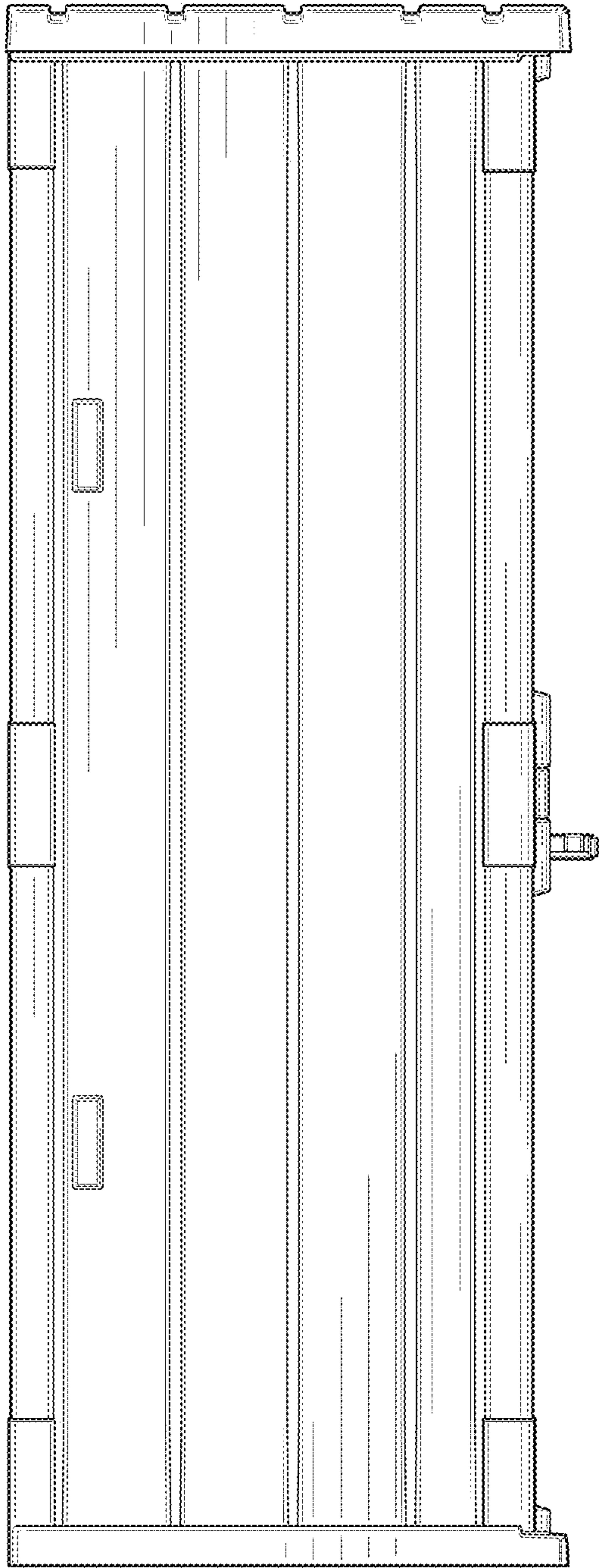
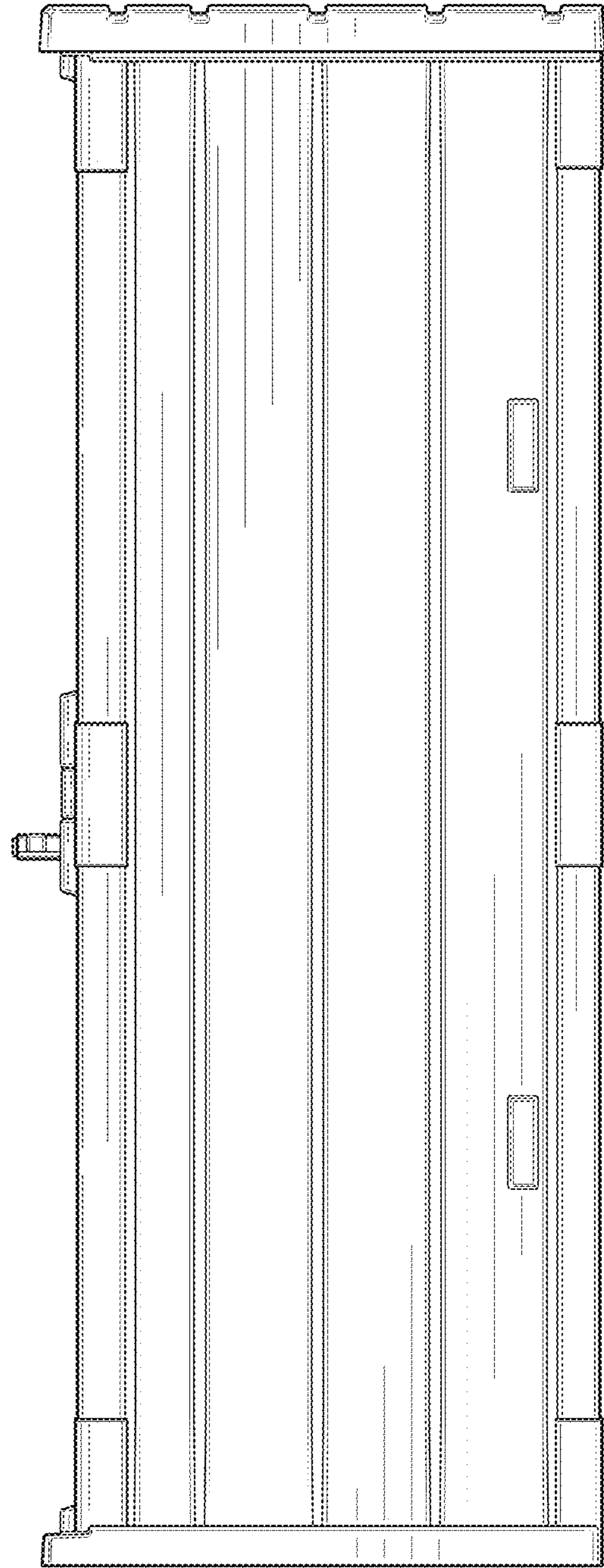


FIG. 3



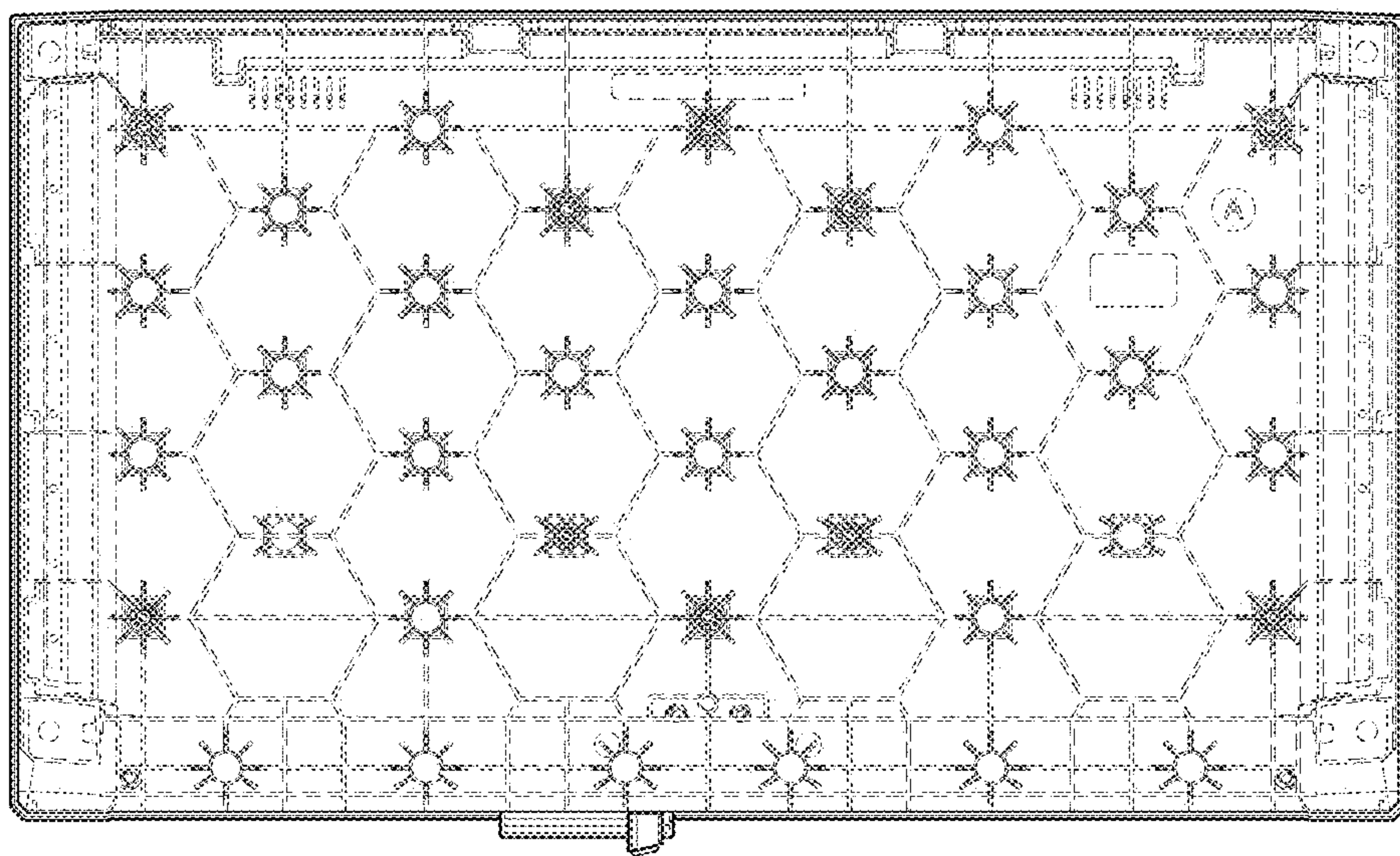
*FIG. 4*



*FIG. 5*



*FIG. 6*



*FIG. 7*