



US00D955601S

(12) **United States Design Patent**  
**York**

(10) **Patent No.:** **US D955,601 S**  
(45) **Date of Patent:** **\*\* Jun. 21, 2022**

(54) **SPECIMEN COLLECTION CONTAINER**

(71) Applicant: **Rebecca Sue York**, Arcanum, OH (US)

(72) Inventor: **Marcus York**, Anderson, IN (US)

(73) Assignee: **Marcus York**, Anderson, IN (US)

(\*\*) Term: **15 Years**

(21) Appl. No.: **29/739,490**

(22) Filed: **Jun. 25, 2020**

(51) **LOC (13) Cl.** ..... **24-02**

(52) **U.S. Cl.**  
USPC ..... **D24/224; D24/122**

(58) **Field of Classification Search**  
USPC ..... D24/112, 122, 127, 132, 216, 224, 226,  
D24/227, 229, 230; D23/302, 303, 309;  
D7/400, 586, 587, 619, 629, 700, 701,  
D7/703  
CPC ..... B01L 2300/042; B01L 2200/141; B01L  
2300/0663; B01L 2300/0825; G01N  
33/94; A61B 10/0038; A61B 5/20; A61B  
10/007; A61B 5/208  
See application file for complete search history.

(56) **References Cited**

**U.S. PATENT DOCUMENTS**

D269,378 S *	6/1983	Work	.....	D24/122
D270,018 S *	8/1983	Knight	.....	D24/123
D290,880 S *	7/1987	Blanton	.....	D24/122
D436,166 S *	1/2001	Berkey	.....	D24/122
D563,161 S *	3/2008	Bodum	.....	D7/399
D605,754 S	12/2009	Nelson et al.		
D607,557 S	1/2010	Wiggins		
D610,254 S	2/2010	Huff		
D645,559 S	9/2011	Green et al.		
D662,217 S	6/2012	Brown et al.		
D662,602 S *	6/2012	Foster	.....	D24/220
D668,331 S	10/2012	Ren et al.		
D669,979 S	10/2012	Adams		
D670,377 S	11/2012	Adams		

D674,482 S	1/2013	Wurapa		
D694,900 S *	12/2013	Hohl	.....	D24/220
D710,701 S	8/2014	Lai		
D711,195 S	8/2014	Cornu et al.		
D727,107 S *	4/2015	Parodi, Jr.	.....	D7/533

(Continued)

**OTHER PUBLICATIONS**

Dover™ Commode Specimen Collection System. Online, published date unknown. Retrieved on Nov. 13, 2021 from URL: <https://www.cardinalhealth.com/en/product-solutions/medical/laboratory-products/specimen-collection/specimen-containers/dover-commode-specimen-collection-system.html>.\*

(Continued)

*Primary Examiner* — Omeed Agilee

(74) *Attorney, Agent, or Firm* — Thomas E. Lees, LLC

(57) **CLAIM**

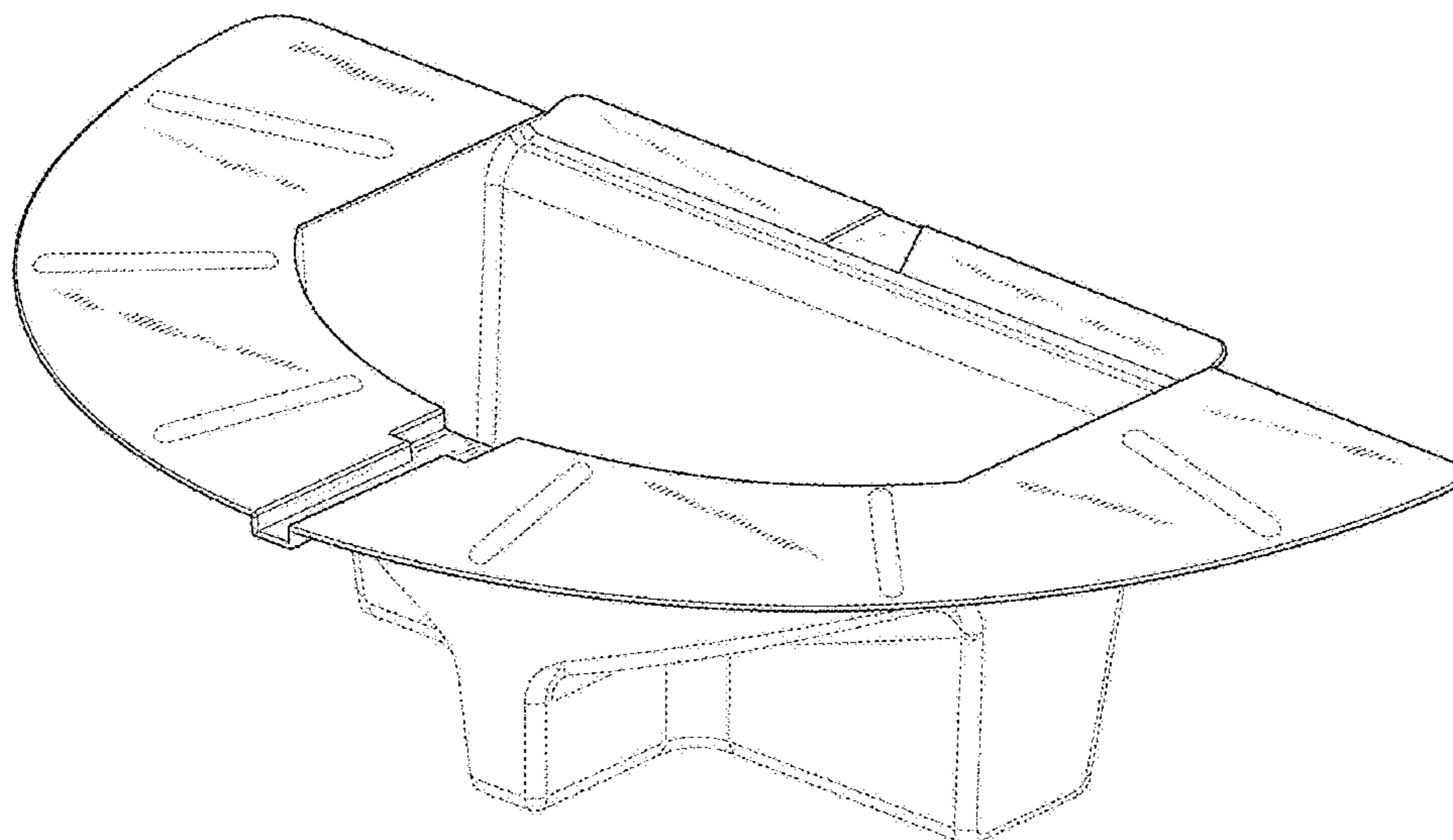
The ornamental design for a specimen collection container, as shown and described.

**DESCRIPTION**

FIG. 1 is a perspective view of a specimen collection container according to my new design; FIG. 2 is a front side elevational view of the specimen collection container of FIG. 1; FIG. 3 is a rear side elevational view of the specimen collection container of FIG. 1; FIG. 4 is a left side elevational view of the specimen collection container of FIG. 1; FIG. 5 is a right side elevational view of the specimen collection container of FIG. 1; FIG. 6 is a top plan view of the specimen collection container of FIG. 1; and, FIG. 7 is a bottom plan view of the specimen collection container of FIG. 1.

The broken lines depict portions of the specimen collection container that form no part of the claimed design.

**1 Claim, 7 Drawing Sheets**



(56)

**References Cited**

U.S. PATENT DOCUMENTS

D738,491 S 9/2015 Foley et al.  
D746,979 S 1/2016 Dominguez et al.  
D771,804 S 11/2016 York  
D776,807 S \* 1/2017 Chacchia ..... D24/121  
D782,907 S \* 4/2017 Sowieja ..... D9/447  
9,757,097 B2 9/2017 Hall et al.  
9,775,586 B2 10/2017 Hall et al.  
D845,469 S 4/2019 Hamilton et al.  
D903,142 S \* 11/2020 Hoke ..... D24/224  
2008/0312556 A1 \* 12/2008 Dijkman ..... A61B 5/208  
600/584  
2012/0316462 A1 \* 12/2012 Enos ..... A61B 10/0038  
600/562  
2014/0121561 A1 \* 5/2014 Chacchia ..... A61B 5/20  
600/574

OTHER PUBLICATIONS

Stool Collection Guidelines. Online, published date unknown. Retrieved on Nov. 13, 2021 from URL: <https://www.stcroixlab.com/sample-collection-guidelines/>.\*

\* cited by examiner

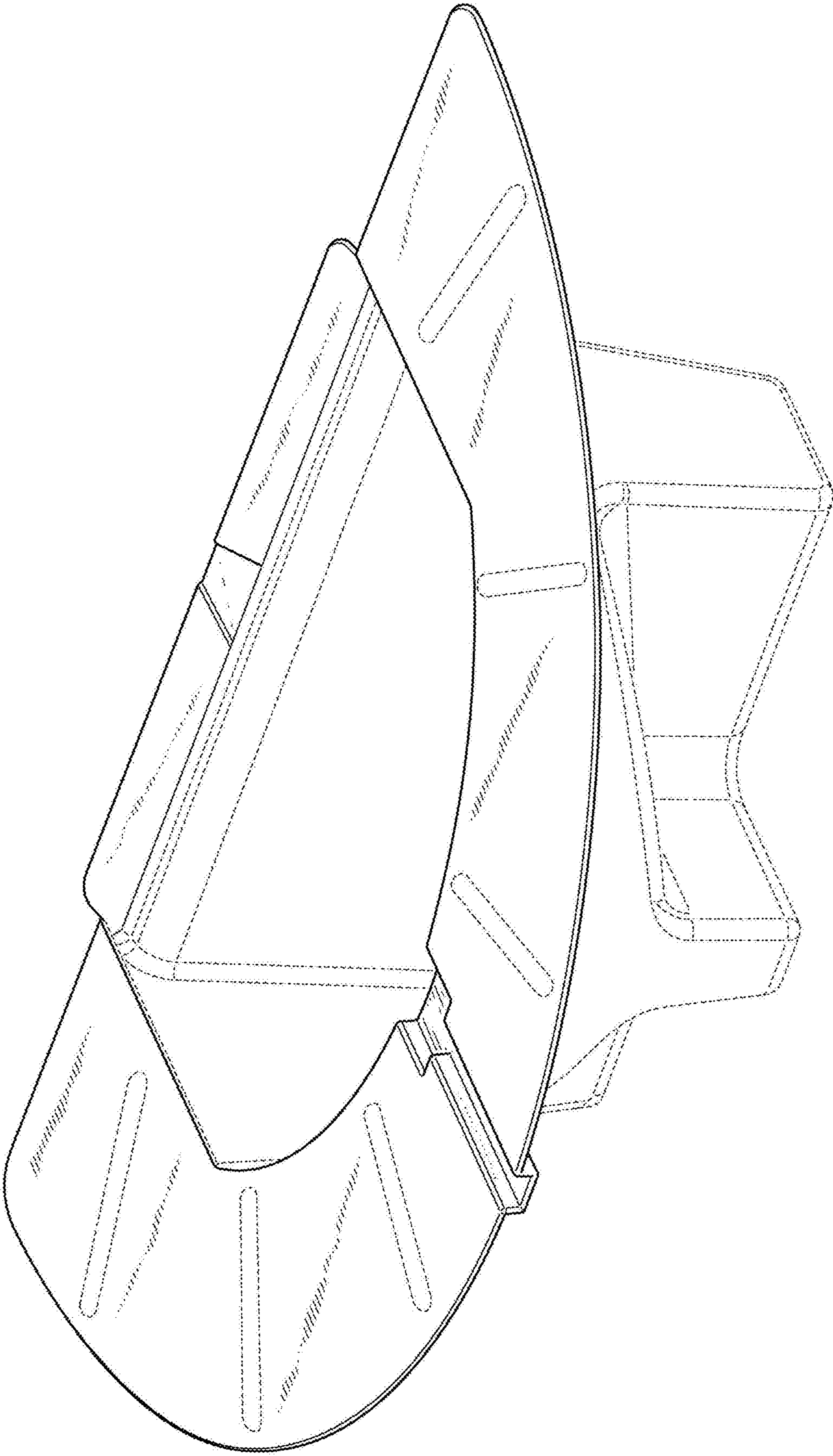


FIG. 1

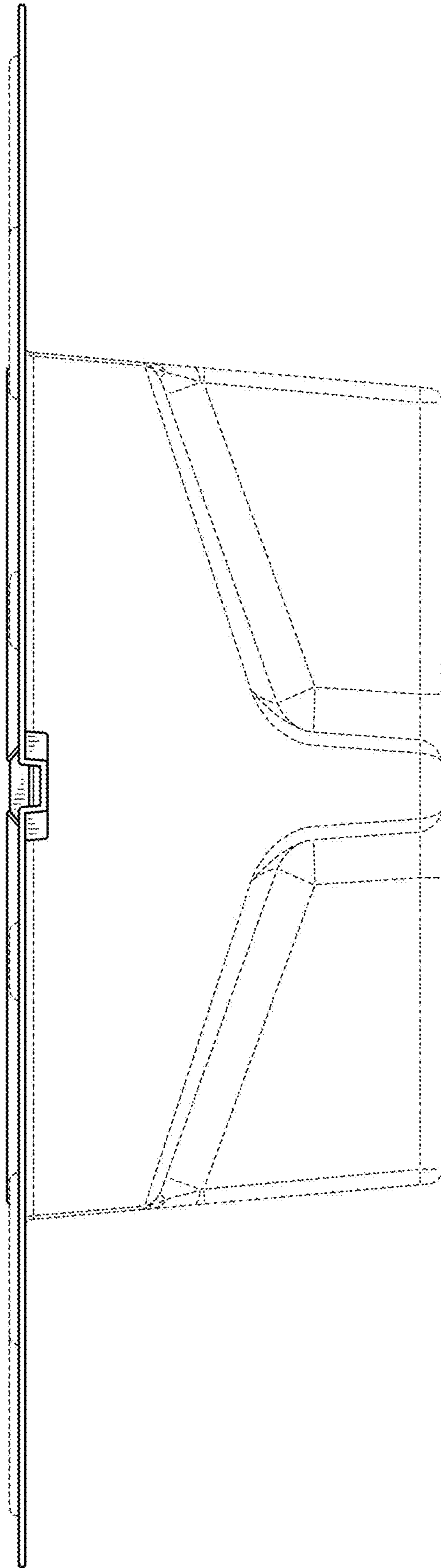


FIG. 2



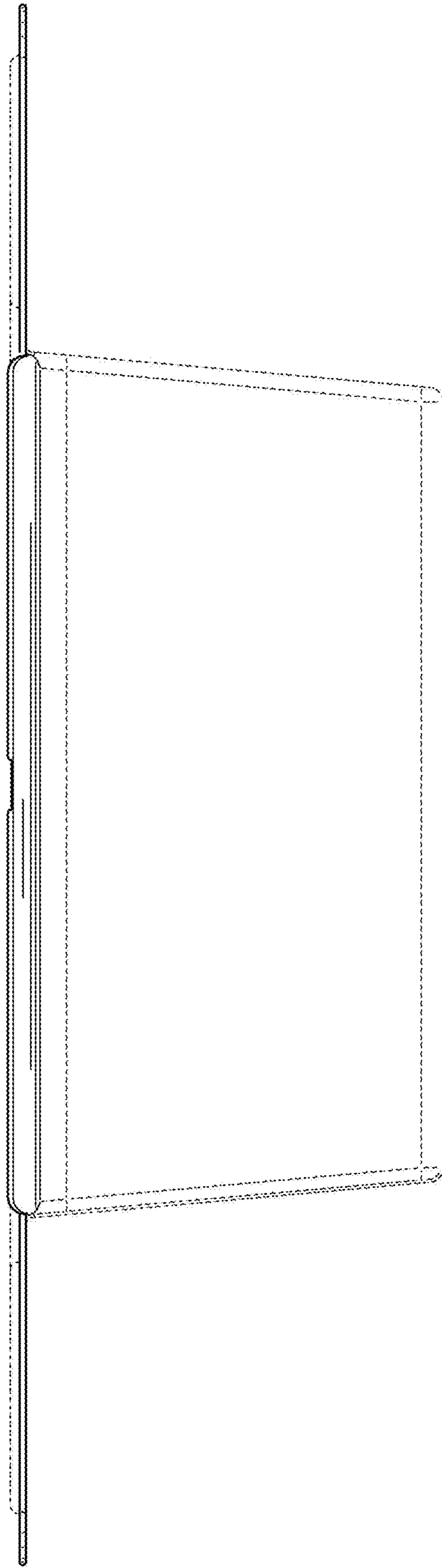


FIG. 3

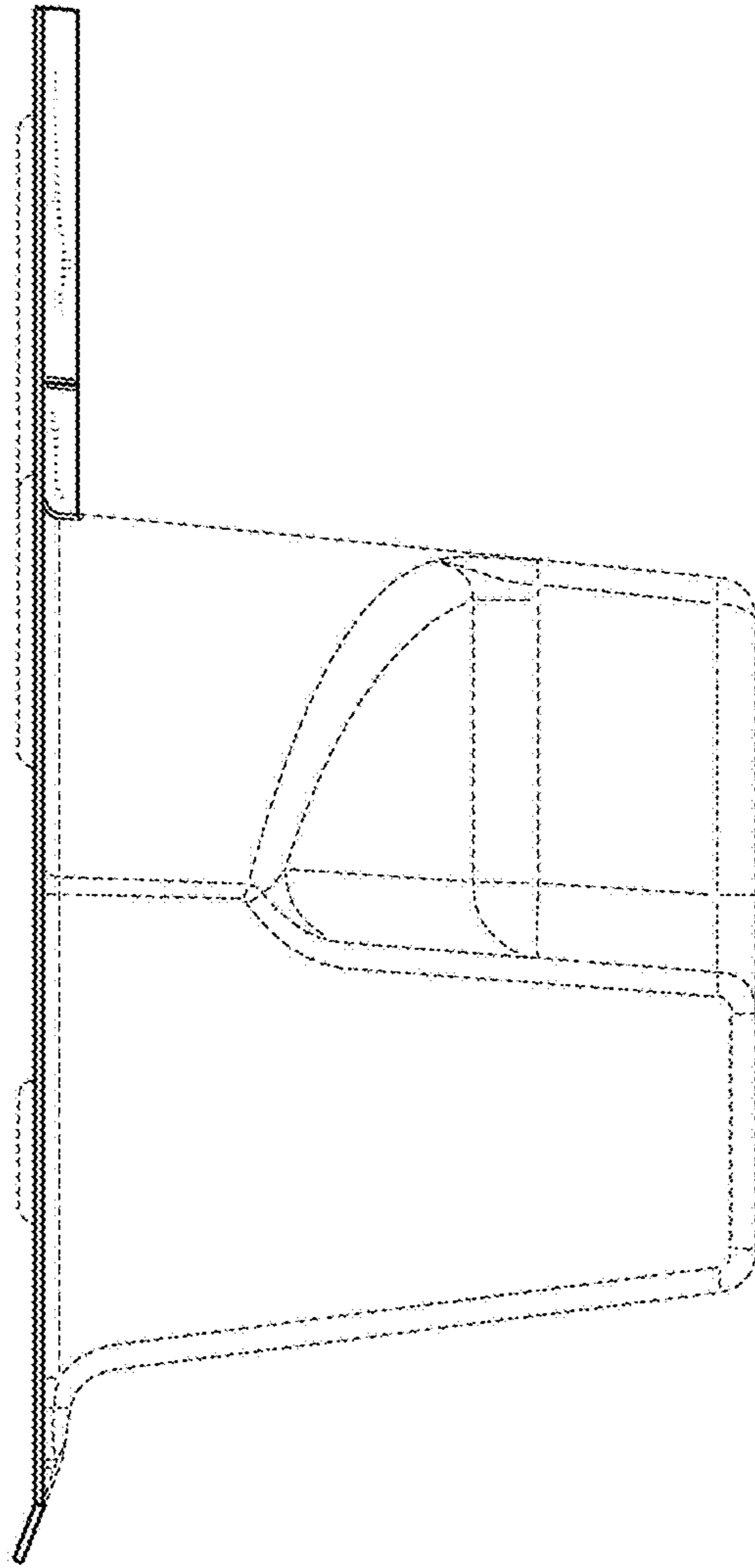


FIG. 4

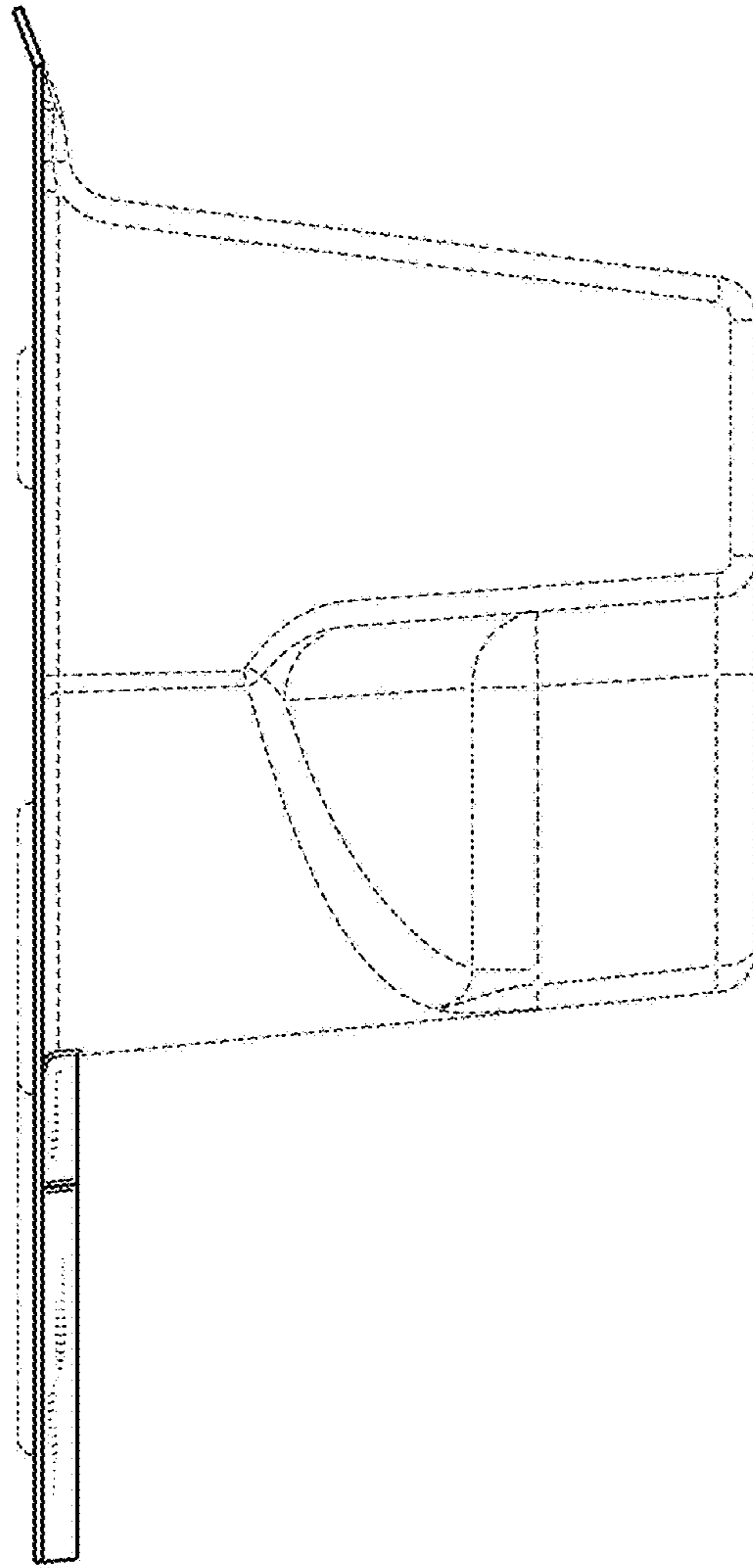


FIG. 5

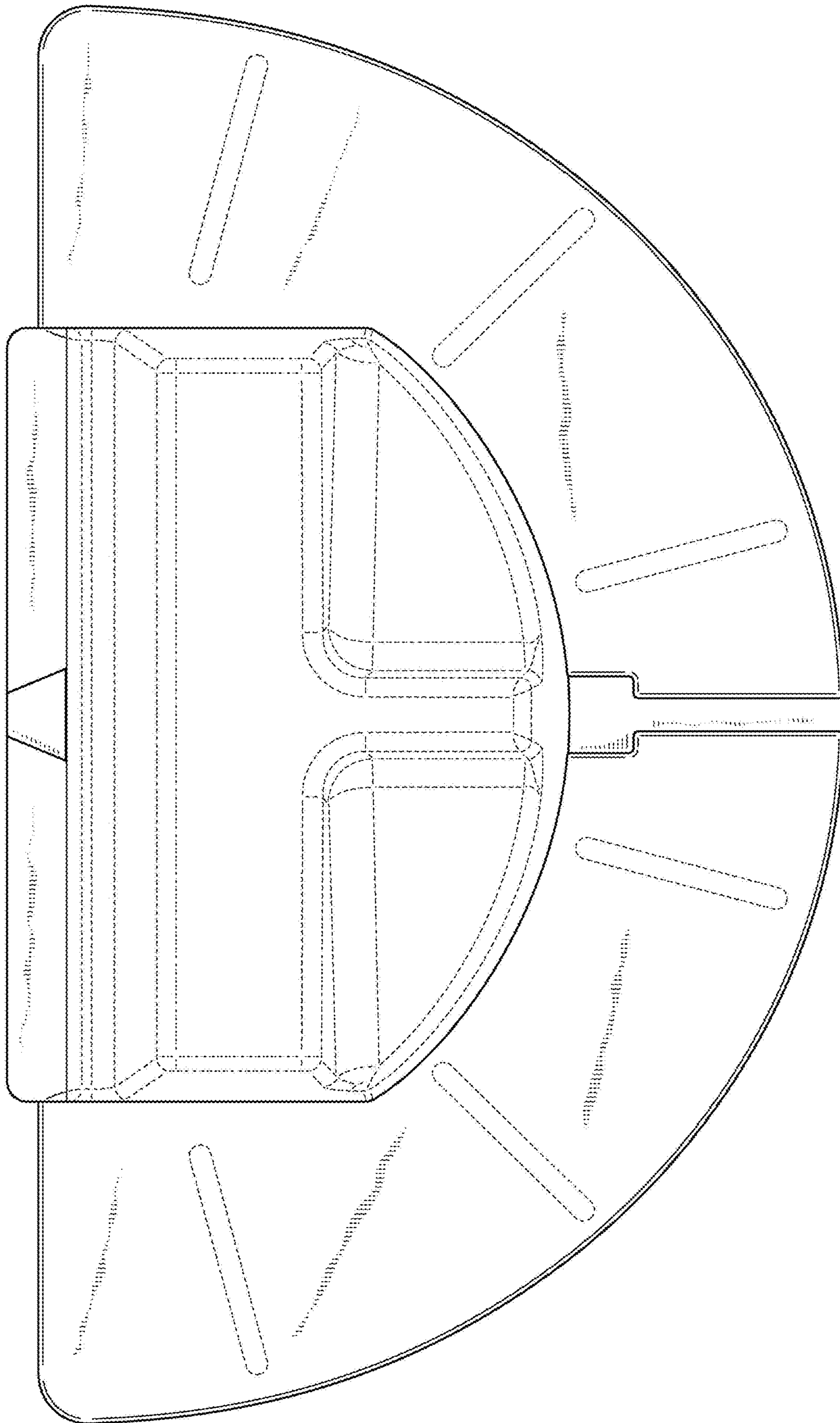


FIG. 6



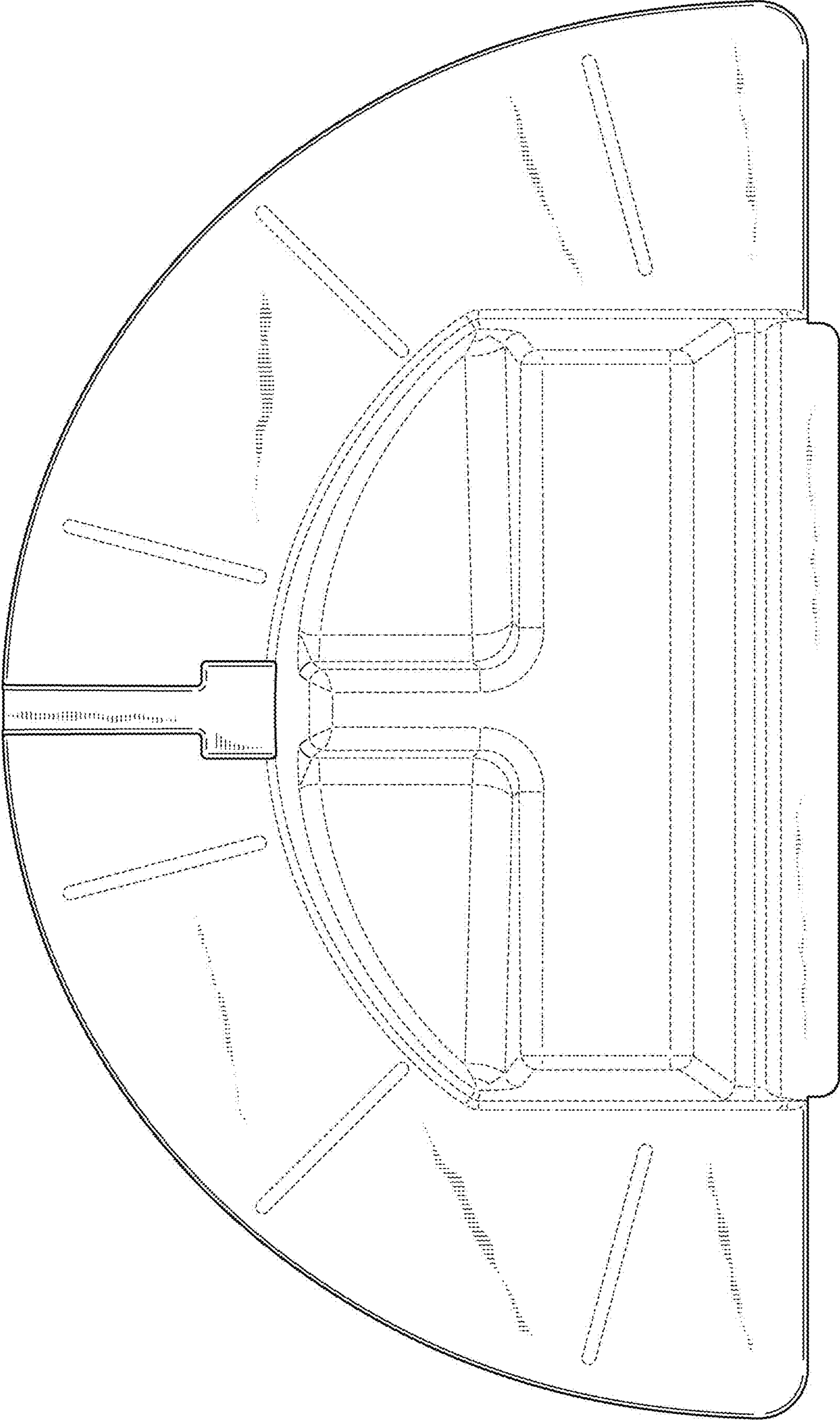


FIG. 7