



US00D955600S

(12) **United States Design Patent**
Kim

(10) **Patent No.:** **US D955,600 S**
(45) **Date of Patent:** **** Jun. 21, 2022**

(54) **TOOTHBRUSH STERILIZER**
(71) Applicant: **PRIMETECH Co., Ltd.**, Seoul (KR)
(72) Inventor: **Yun Ju Kim**, Seoul (KR)
(**) Term: **15 Years**
(21) Appl. No.: **35/510,480**
(22) Filed: **Aug. 19, 2020**

D800,566 S * 10/2017 Wieland D9/529
D808,280 S * 1/2018 Nagata D9/560
D853,035 S * 7/2019 Moretti D28/76
D855,890 S * 8/2019 Lovejoy D28/85
D855,891 S * 8/2019 Lin D28/85
D856,588 S * 8/2019 French-Artis D28/76
D857,300 S * 8/2019 Pascalie D28/85
D904,691 S * 12/2020 Wolfe D28/85
D921,295 S * 6/2021 Khubani D28/50
D921,299 S * 6/2021 Khubani D28/85
D927,726 S * 8/2021 Xu D24/217
D941,489 S * 1/2022 Lu D24/217

(Continued)

(80) **Hague Agreement Data**
Int. Filing Date: **Aug. 19, 2020**
Int. Reg. No.: **DM/210393**
Int. Reg. Date: **Aug. 19, 2020**
Int. Reg. Pub. Date: **Oct. 2, 2020**

(30) **Foreign Application Priority Data**
Jul. 6, 2020 (KR) 30-2020-0030758
(51) **LOC (13) Cl.** **24-01**
(52) **U.S. Cl.**
USPC **D24/217**
(58) **Field of Classification Search**
USPC D24/186, 217, 216; D28/4, 73, 76, 78,
D28/83, 85
CPC A47B 81/00; A61L 2/04
See application file for complete search history.

(56) **References Cited**
U.S. PATENT DOCUMENTS
D311,604 S * 10/1990 Bakic D28/85
D382,369 S * 8/1997 Yang D28/85
D398,150 S * 9/1998 Vonarburg D28/85
D467,039 S * 12/2002 Fuller D28/77
D478,690 S * 8/2003 Sgariboldi D28/85
D479,017 S * 8/2003 Sgariboldi D28/85
D479,018 S * 8/2003 Sgariboldi D28/85
D501,279 S * 1/2005 Dittmer D28/85
D712,596 S * 9/2014 Lee D28/77
D744,167 S * 11/2015 Chertoff D28/85

OTHER PUBLICATIONS

Goteboregsaventyr. Intelligent Antibacteria Ultraviolet Toothbrush Holder Sterilizer Automatic Toothpaste Dispenser Squeezer 2 In 1 UV Disinfector. No date specified. <https://bit.ly/3zbSrul> (Year: 0).*

Primary Examiner — Darcey E Gottschalk
(74) *Attorney, Agent, or Firm* — Antonio Ha & U.S. Patent, LLC

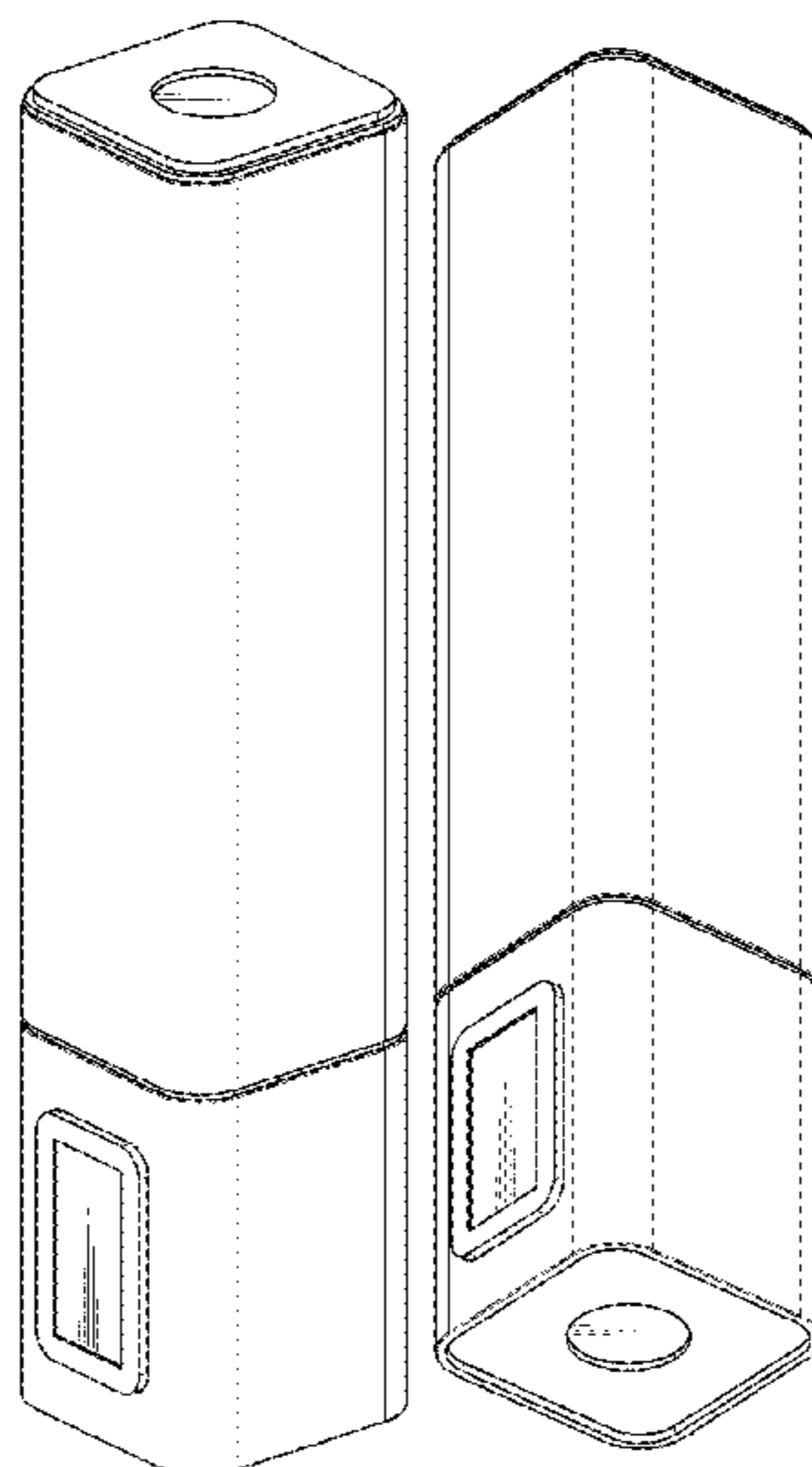
(57) **CLAIM**

The ornamental design for a toothbrush sterilizer, as shown and described.

DESCRIPTION

1. Toothbrush sterilizer
Fig. 1.1 is a top, front and right side perspective view of the design;
Fig. 1.2 is a bottom, front and right side perspective view of the design;
Fig. 1.3 is a front elevational view of the design;
Fig. 1.4 is a back elevational view of the design;
Fig. 1.5 is a left side elevational view of the design;
Fig. 1.6 is a right side elevational view of the design;
Fig. 1.7 is a top plan view of the design;
Fig. 1.8 is a bottom plan view of the design; and
Fig. 1.9 is an exploded top, front, and right side perspective view of the design.

1 Claim, 9 Drawing Sheets



(56)

References Cited

U.S. PATENT DOCUMENTS

D942,643 S * 2/2022 Zhao D24/217
D942,644 S * 2/2022 Zheng D24/217

* cited by examiner

Fig. 1.1

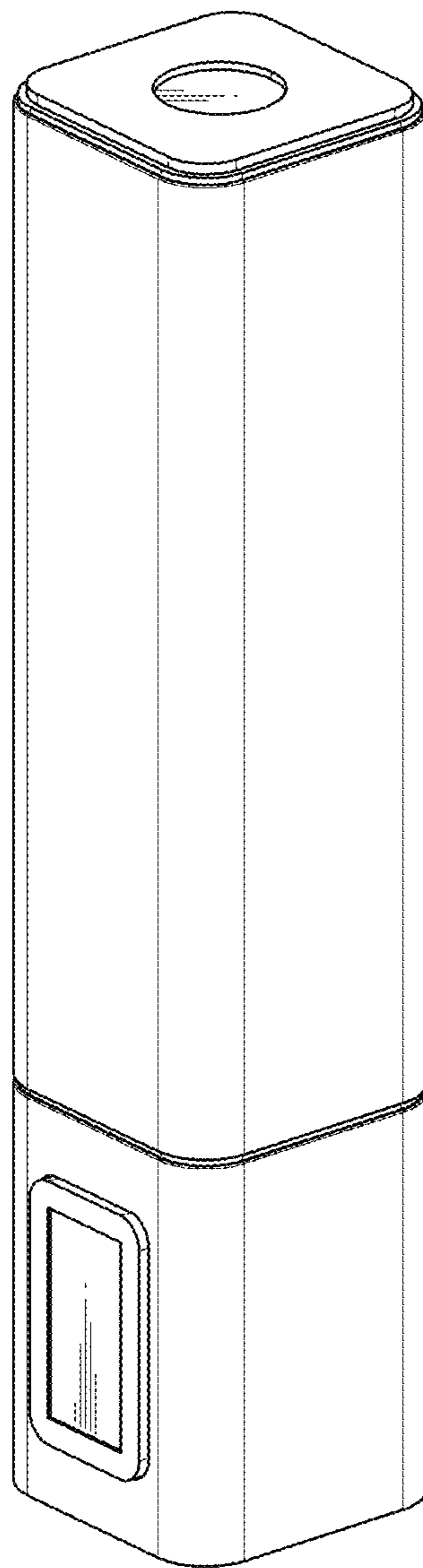


Fig. 1.2

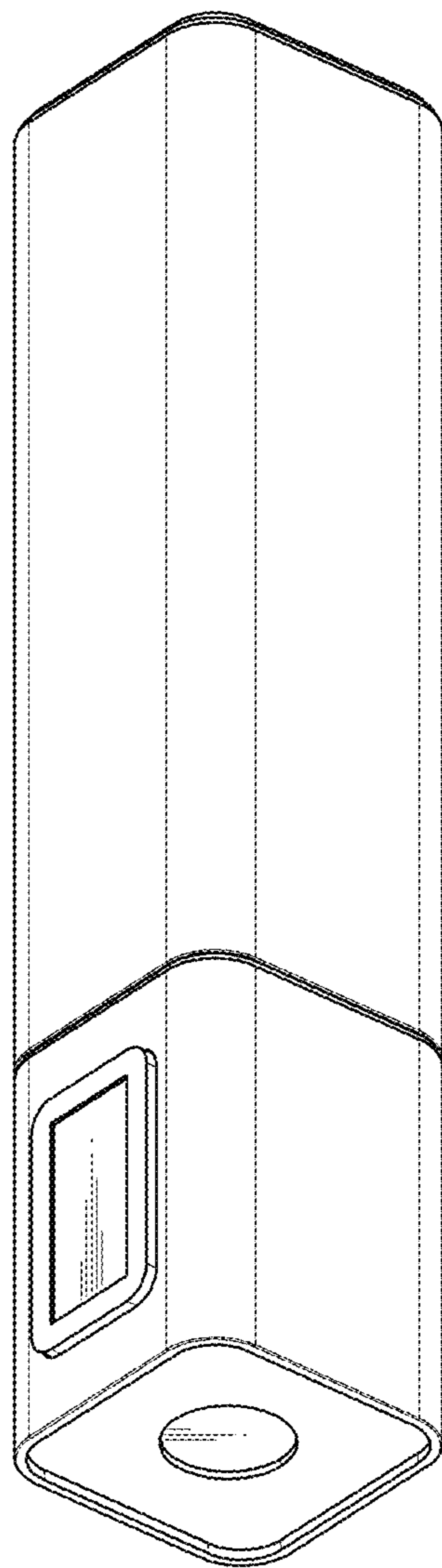


Fig. 1.3

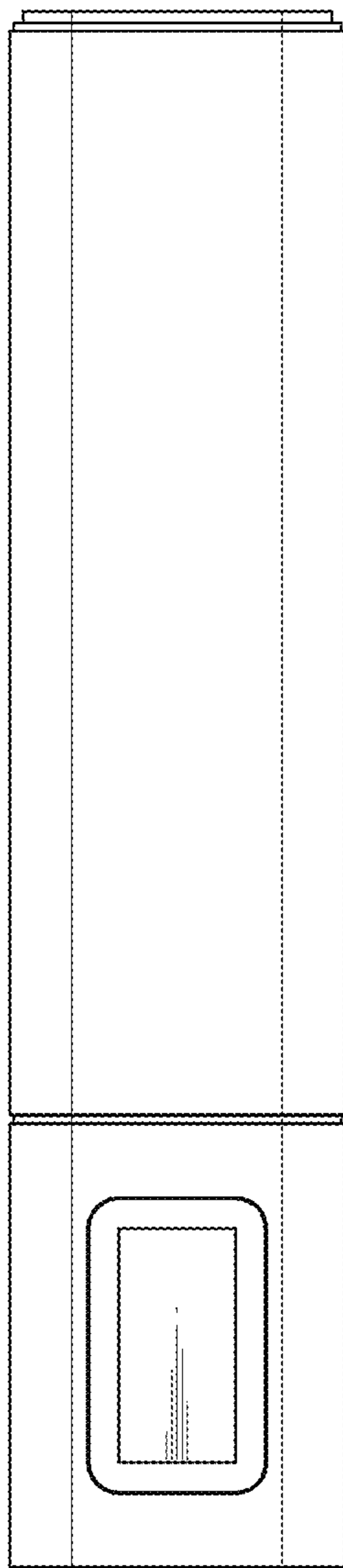


Fig. 1.4

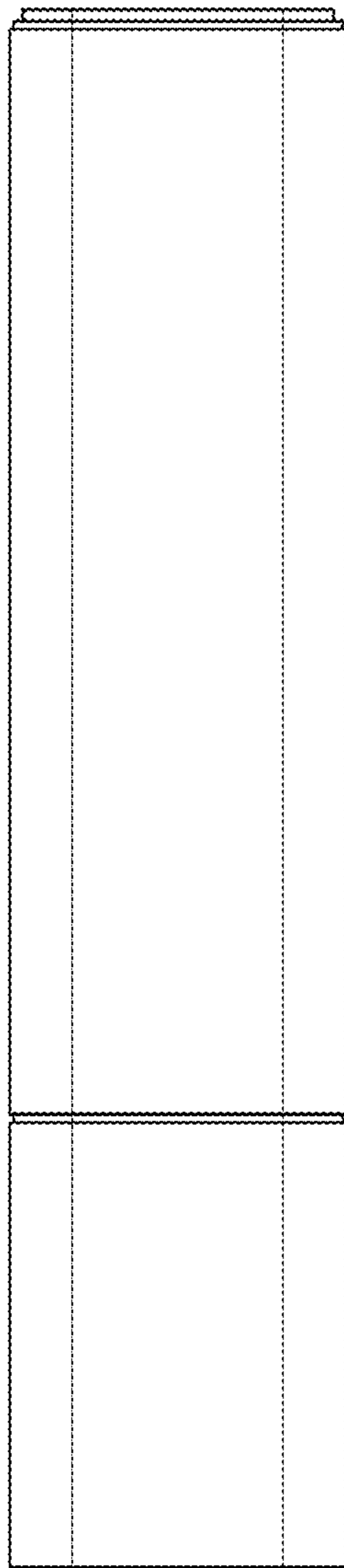


Fig. 1.5

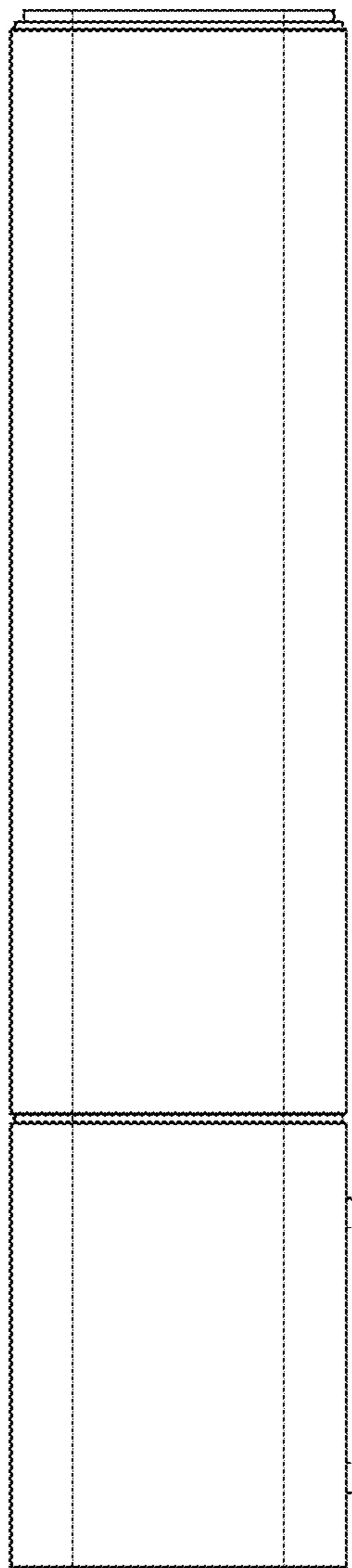


Fig. 1.6

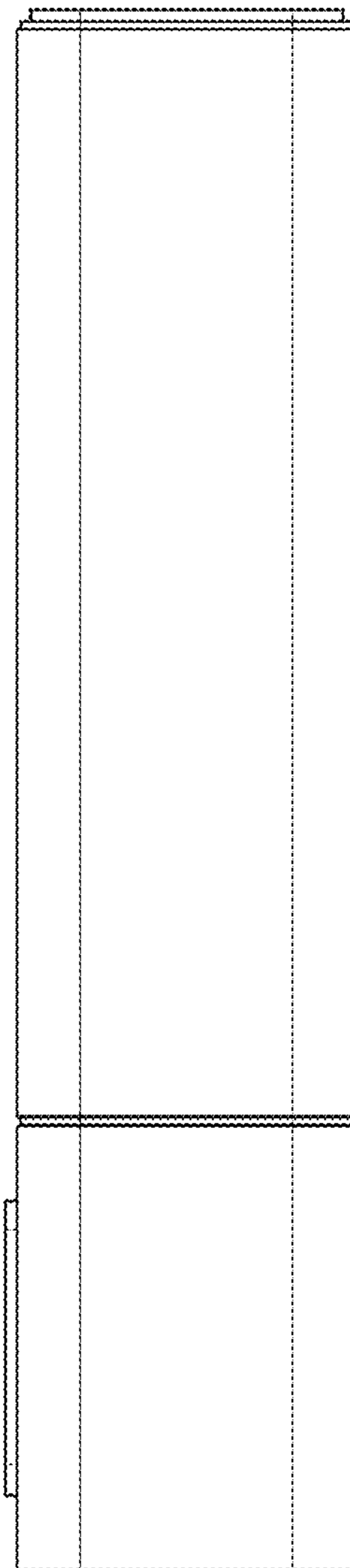


Fig. 1.7

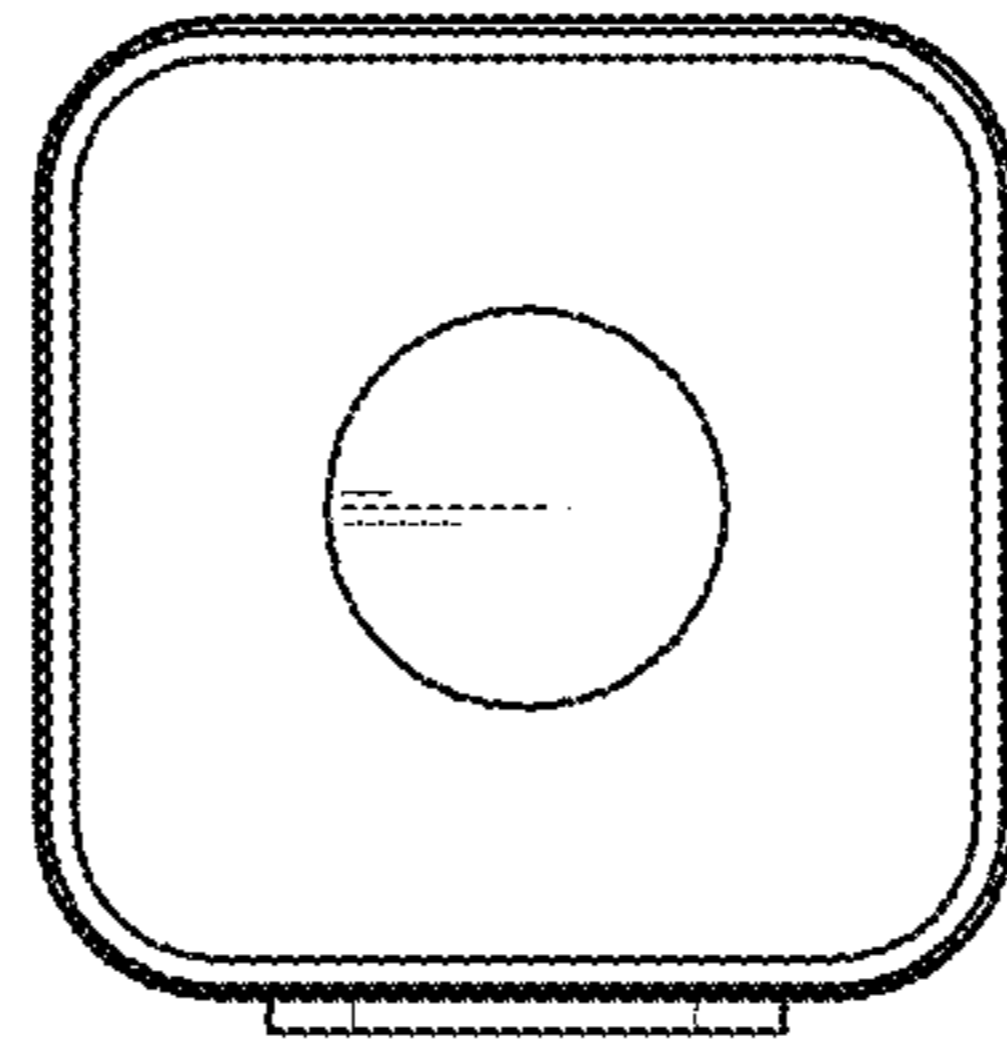


Fig. 1.8

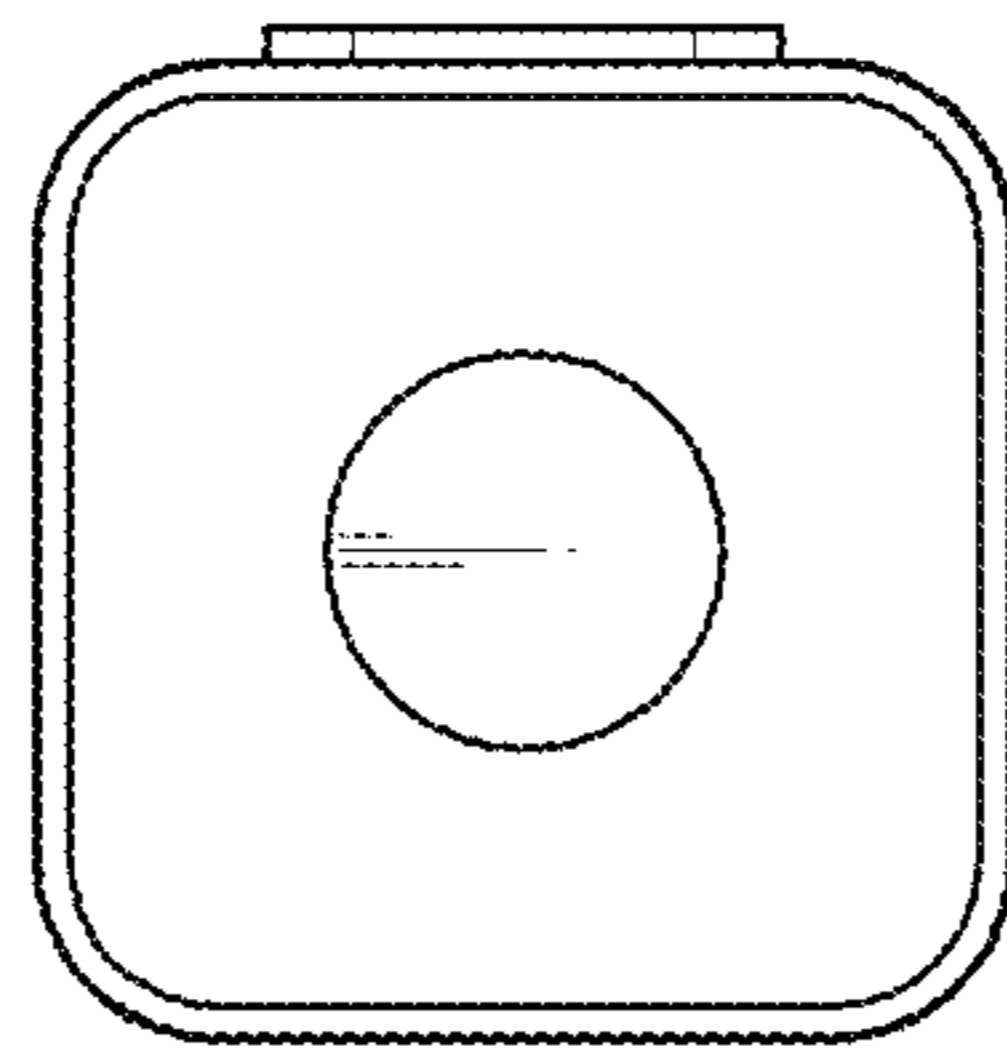


Fig. 1.9

