



US00D955598S

(12) **United States Design Patent** (10) **Patent No.:** **US D955,598 S**
Reber et al. (45) **Date of Patent:** **** Jun. 21, 2022**

(54) **MEDICAL TESTING DEVICE**

(71) Applicant: **Lucira Health, Inc.**, Emeryville, CA (US)

(72) Inventors: **Clay David Reber**, Berkeley, CA (US); **Christopher Frank Kelly**, Larkspur, CA (US); **Frank Benson Myers, III**, Richmond, CA (US); **Ragheb El Khaja**, Oakland, CA (US); **John Robert Waldeisen**, Berkeley, CA (US); **Debkishore Mitra**, Emeryville, CA (US)

(73) Assignee: **Lucira Health, Inc.**, Emeryville, CA (US)

(**) Term: **15 Years**

(21) Appl. No.: **29/759,253**

(22) Filed: **Nov. 20, 2020**

Related U.S. Application Data

(63) Continuation of application No. 29/674,581, filed on Dec. 21, 2018, now Pat. No. Des. 907,232.

(51) **LOC (13) Cl.** **24-01**

(52) **U.S. Cl.**
USPC **D24/216**

(58) **Field of Classification Search**

USPC D24/107, 186, 216, 219, 220, 221, D24/223–227, 231, 232; D10/81

CPC B01L 3/5027; B01L 3/50273; B01L 3/502738; B01L 2300/0609; B01L 2300/0672; B01L 2300/0829; B01L 2200/025; B01L 2200/026; B01L 2200/028; B01L 2200/16; G01N 21/01; G01N 21/75; G01N 33/66; G01N 33/49; G01N 33/493; A61B 5/14532; A61B 2560/0412; A61B 2560/0443; A61B 2560/0462

See application file for complete search history.

(56) **References Cited**

U.S. PATENT DOCUMENTS

D334,065 S 3/1993 Collister
D371,605 S 7/1996 Wong et al.
5,801,062 A 9/1998 Sarstedt et al.
(Continued)

FOREIGN PATENT DOCUMENTS

EP 0520408 A2 12/1992
EP 1557673 A1 7/2005
(Continued)

OTHER PUBLICATIONS

Foo et al., “Rapid Tests for the Diagnosis of Influenza,” Australian Prescriber, vol. 32, No. 3, Jun. 2009, pp. 64-67.
(Continued)

Primary Examiner — Anhdao Doan

(74) *Attorney, Agent, or Firm* — Goodwin Procter LLP

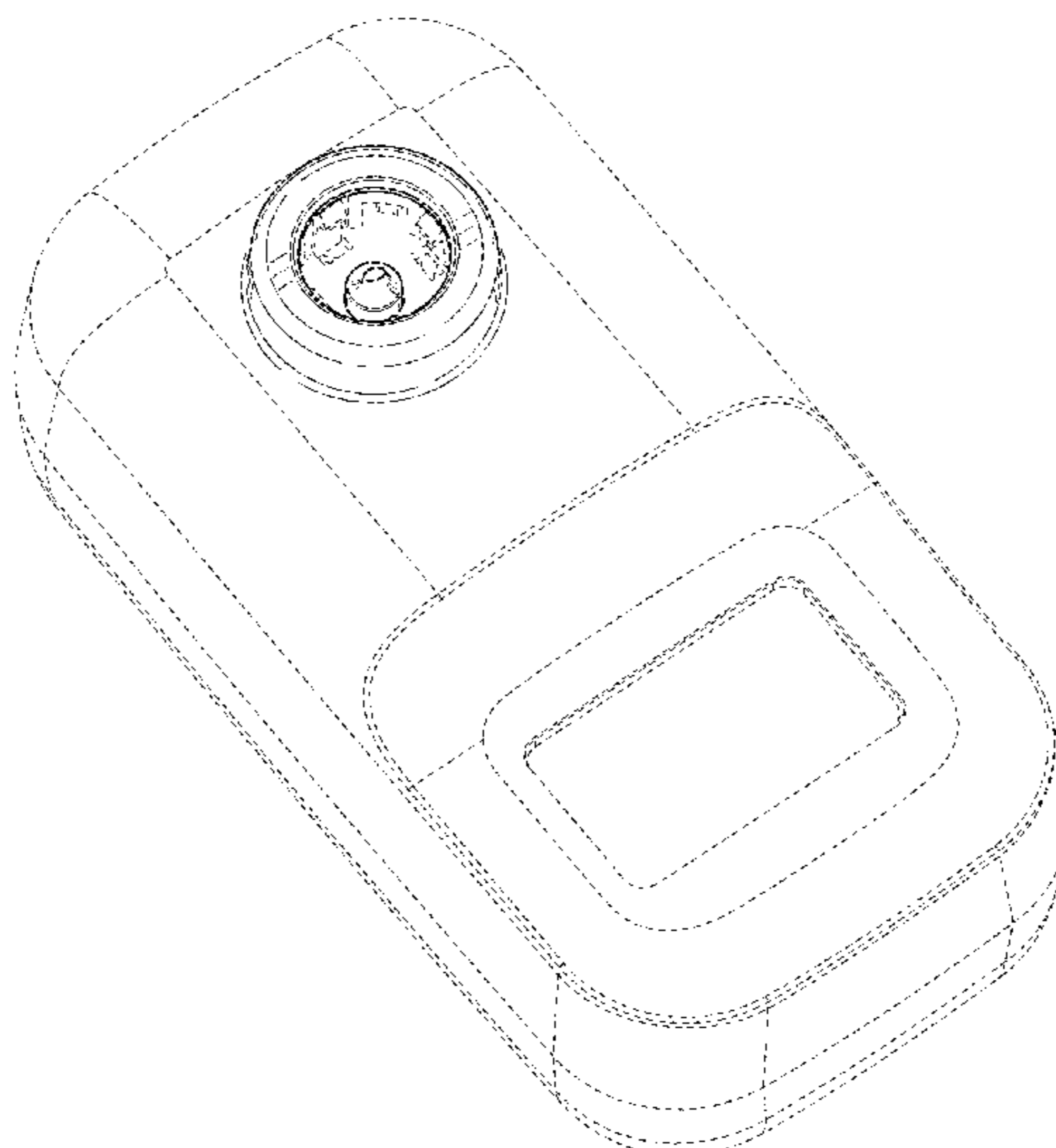
(57) **CLAIM**

The ornamental design for a medical testing device, as shown and described.

DESCRIPTION

FIG. 1 is top, left, front perspective view of a medical testing device;
FIG. 2 is a bottom, left, front perspective view thereof;
FIG. 3 is a top, right, rear perspective view thereof;
FIG. 4 is a top plan view thereof;
FIG. 5 is a bottom plan view thereof;
FIG. 6 is a left side elevational view thereof;
FIG. 7 is a right side elevational view thereof;
FIG. 8 is a rear elevational view thereof; and,
FIG. 9 is a front elevational view thereof.
The broken lines depict portions of the medical testing device that form no part of the claimed design.

1 Claim, 9 Drawing Sheets



(56)

References Cited

U.S. PATENT DOCUMENTS

5,958,349 A 9/1999 Petersen et al.
 6,071,394 A 6/2000 Cheng et al.
 6,300,142 B1* 10/2001 Andrewes B01L 3/502
 210/321.61
 D456,082 S * 4/2002 Bouse D24/223
 7,256,035 B1 8/2007 Schnell et al.
 D559,996 S 1/2008 Okamoto et al.
 D560,812 S 1/2008 Powell et al.
 D561,905 S 2/2008 Ramel et al.
 D567,961 S 4/2008 Yajima
 D602,599 S * 10/2009 Xiaowei D24/225
 D618,351 S 6/2010 Hara
 D631,553 S * 1/2011 Niedbala D24/223
 D669,375 S 10/2012 Kao et al.
 D675,335 S * 1/2013 Feuerabend D24/216
 D686,311 S * 7/2013 Mori D24/216
 D736,403 S * 8/2015 Hudson D24/226
 D787,682 S 5/2017 Ockham et al.
 D791,952 S 7/2017 Florescu et al.
 D800,912 S 10/2017 Uzri et al.
 9,815,061 B2 11/2017 Delattre et al.
 D808,833 S 1/2018 Abbott et al.
 D840,049 S 2/2019 Schulz et al.
 D854,703 S 7/2019 Juhlin et al.
 D855,212 S 7/2019 Komuro
 10,343,160 B2* 7/2019 Lemoine F04B 19/006
 D865,218 S 10/2019 Mathers et al.
 10,449,538 B1 10/2019 Carrano et al.
 D874,677 S 2/2020 Stamm et al.
 D875,963 S 2/2020 Gruen
 D886,901 S * 6/2020 Hussey D24/216
 D907,232 S * 1/2021 Reber D24/216
 D923,797 S 6/2021 Parks et al.
 D928,341 S 8/2021 Thimm et al.
 2001/0012612 A1 8/2001 Petersen et al.
 2002/0001539 A1 1/2002 DiCesare et al.
 2002/0042125 A1 4/2002 Petersen et al.
 2003/0064526 A1 4/2003 Niedbala et al.
 2004/0208792 A1 10/2004 Linton et al.
 2006/0194207 A1 8/2006 Mitani et al.
 2007/0014695 A1 1/2007 Yue et al.
 2008/0056948 A1 3/2008 Dale et al.
 2008/0204380 A1 8/2008 Shin et al.

2010/0323919 A1 12/2010 Chen et al.
 2011/0005932 A1 1/2011 Jovanovich et al.
 2012/0040445 A1 2/2012 Bouma et al.
 2013/0280725 A1 10/2013 Ismagilov et al.
 2014/0057210 A1 2/2014 Malik et al.
 2014/0356874 A1 12/2014 Bearinger
 2015/0182966 A1 7/2015 Coursey
 2015/0247190 A1 9/2015 Ismagilov et al.
 2015/0298118 A1 10/2015 Chard et al.
 2020/0290035 A1* 9/2020 Samsoondar B01L 3/502
 2020/0323474 A1* 10/2020 McIntosh A61B 5/6898

FOREIGN PATENT DOCUMENTS

IN 287440 8/2019
 JP 2008-173218 A 7/2008
 WO 1997/011723 A1 4/1997
 WO 2005/012518 A1 2/2005
 WO 2009/033178 A1 3/2009
 WO 2009/125227 A1 10/2009
 WO 2010/132453 A2 11/2010
 WO 2012/018741 A2 2/2012
 WO 2014/019829 A1 2/2014
 WO 2015/037281 A1 3/2015
 WO 2020/180858 A1 9/2020

OTHER PUBLICATIONS

Cao et al., "Microfluidic Chip for Molecular Amplification of Influenza A RNA in Human Respiratory Specimens," PLoS One, Mar. 2012, vol. 7, Issue 3, pp. 1-11.
 Anonymous: "Image Enhancement and Verification Tools—ABBYY Mobile Imaging SDK," Jul. 13, 2014, 12 pages.
 European Search Report, International Application No. EP18780624, dated Dec. 4, 2020, 10 pages.
 Extended European Search Report, European Published U.S. Appl. No. 18/857,052, dated May 11, 2021, 10 pages.
 FDA Approves in-home, rapid results COVID-19 test. Online, published Nov. 18, 2020.
 Notification of Transmittal of the International Search Report and the Written Opinion of the International Searching Authority, or the Declaration, Int'l Application No. PCT/US20/20772, dated Jun. 10, 2020, 15 pages.

* cited by examiner

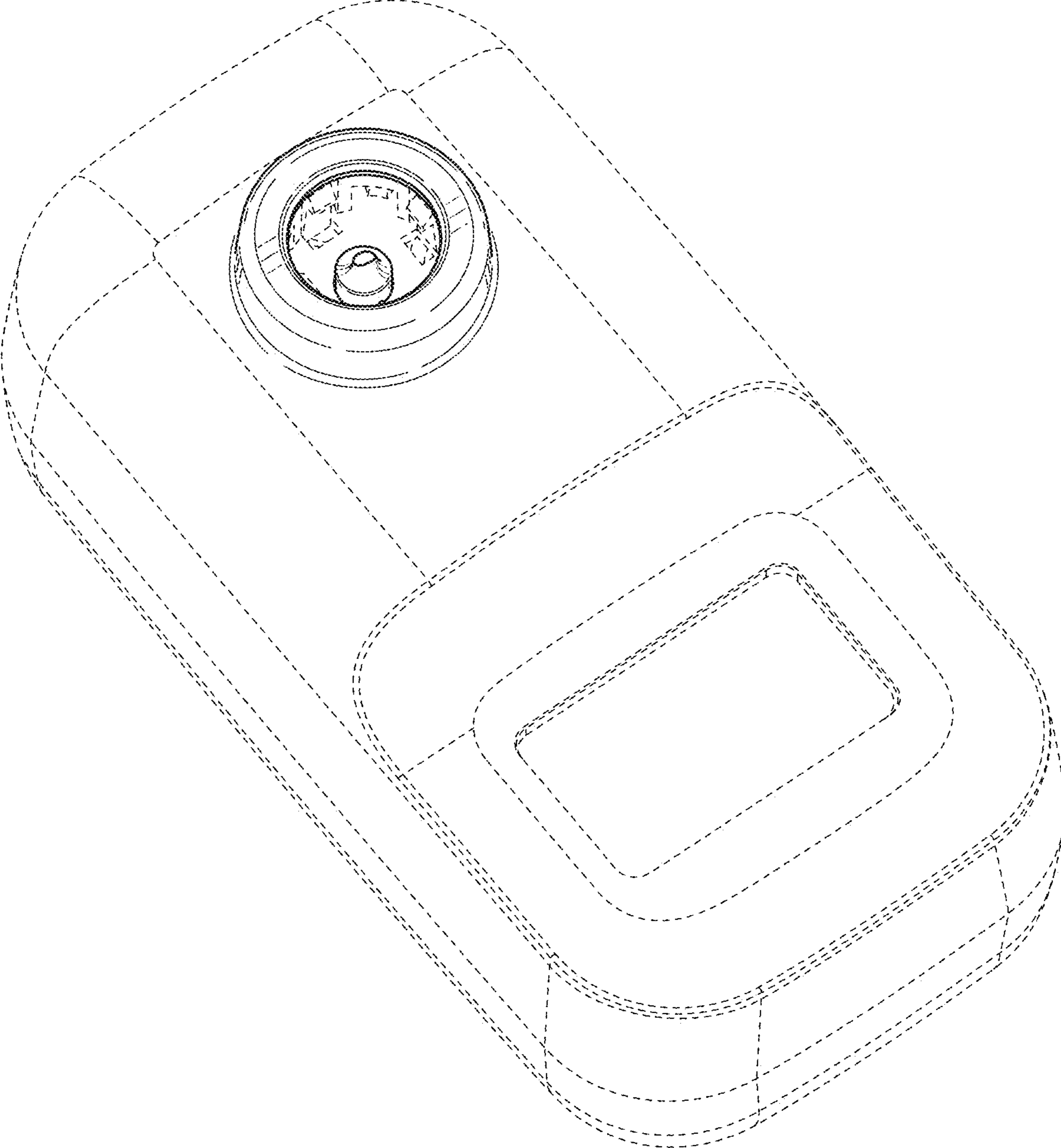


FIG. 1

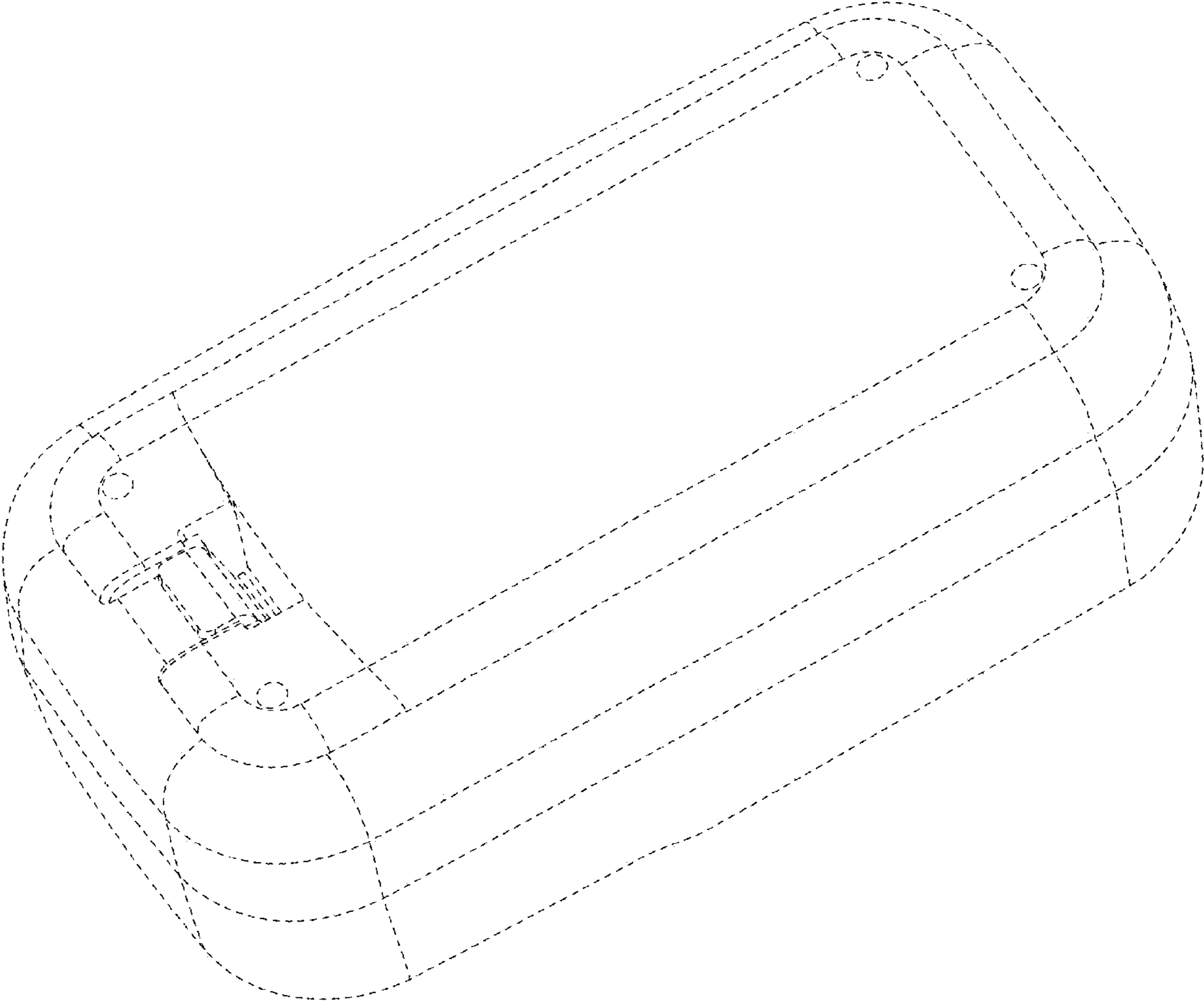


FIG. 2

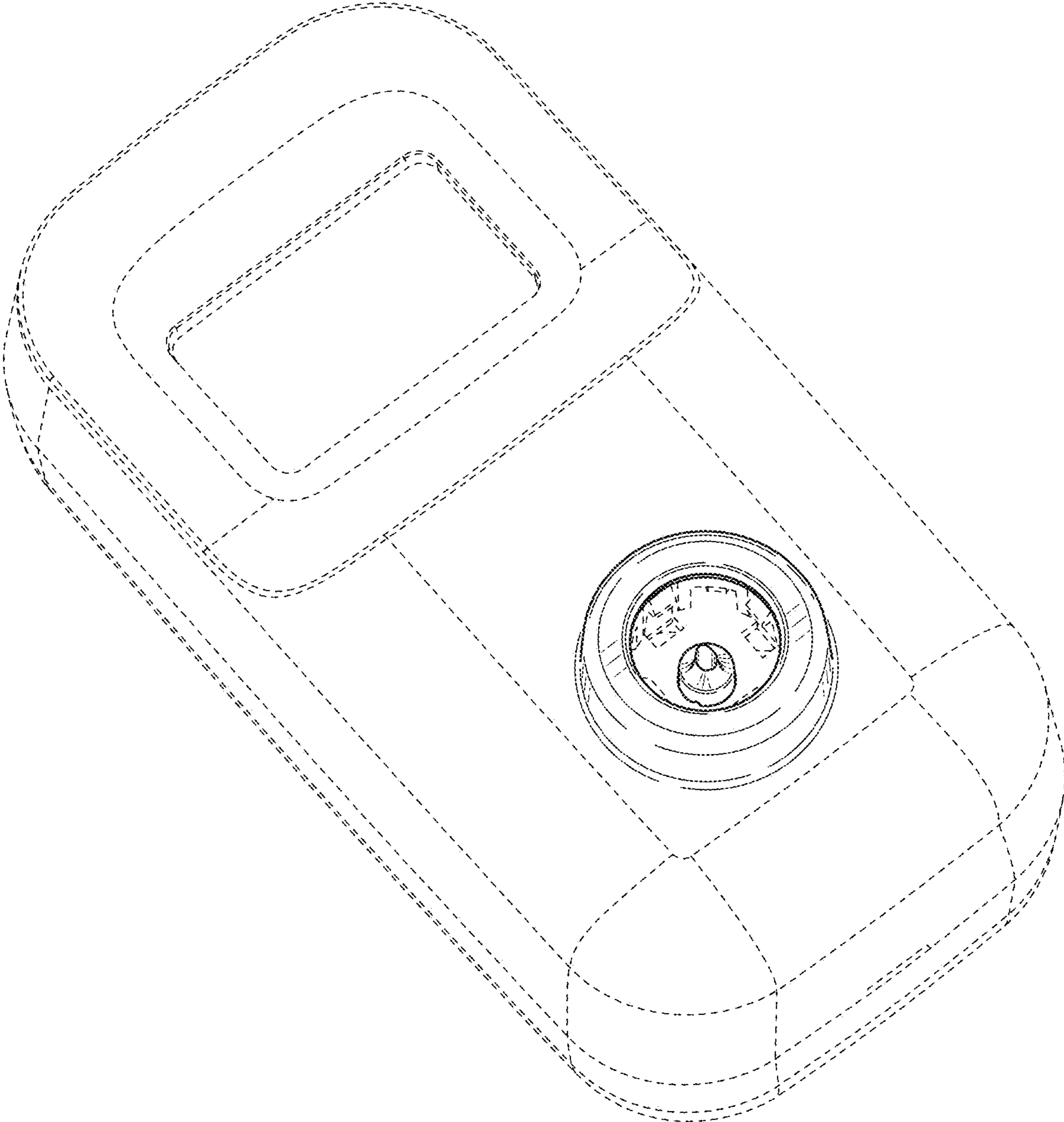


FIG. 3

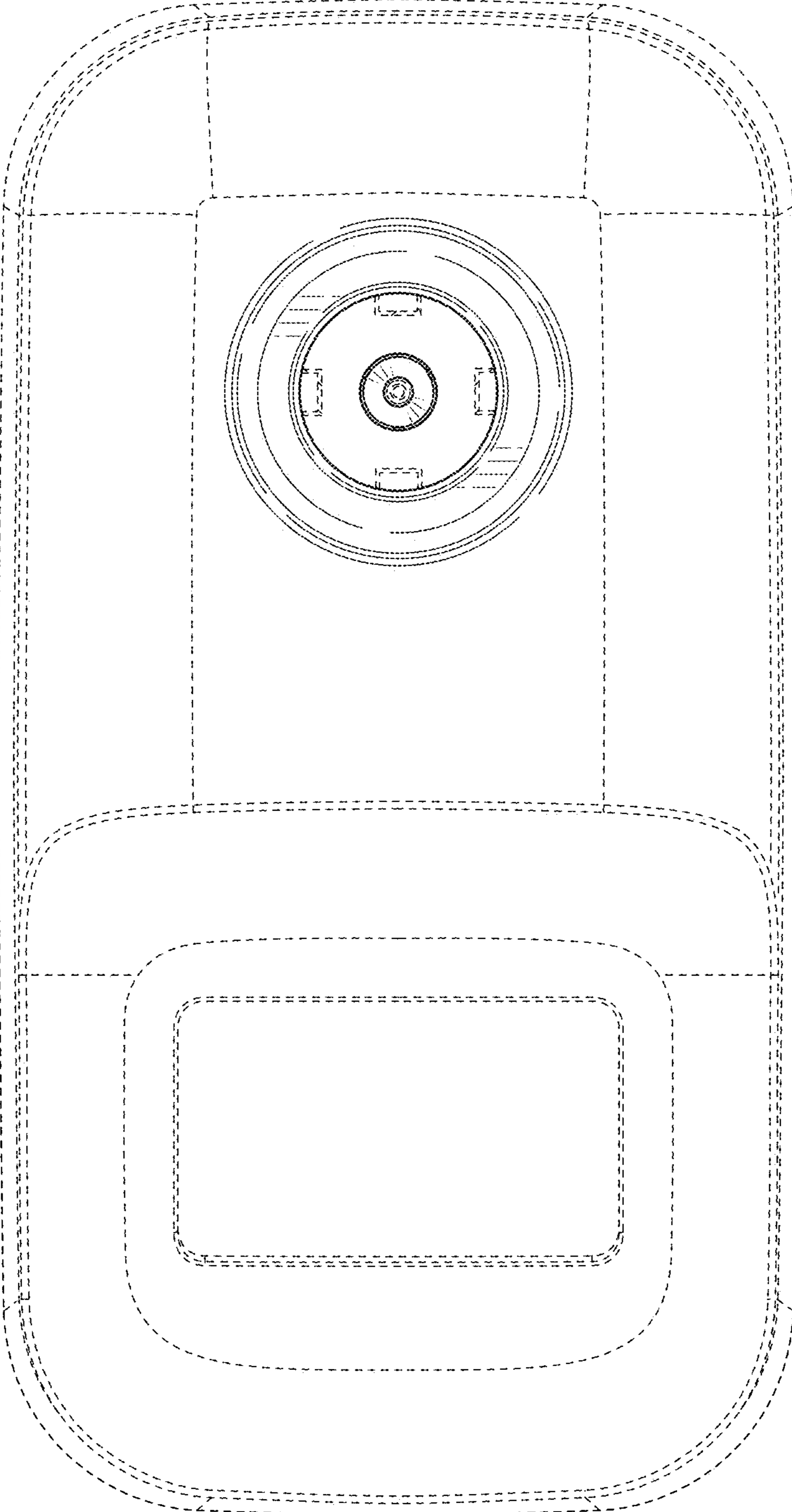


FIG. 4

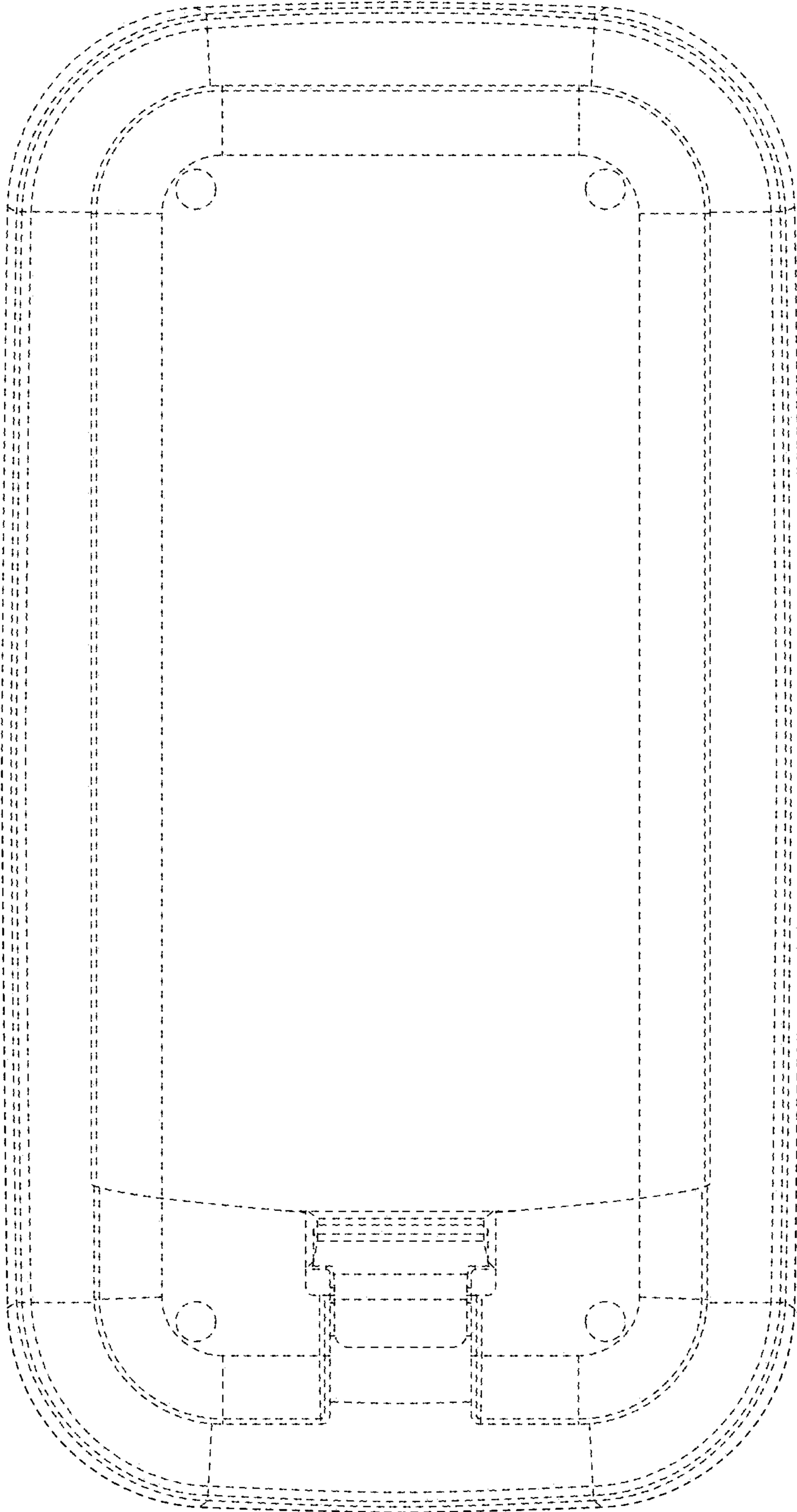


FIG. 5

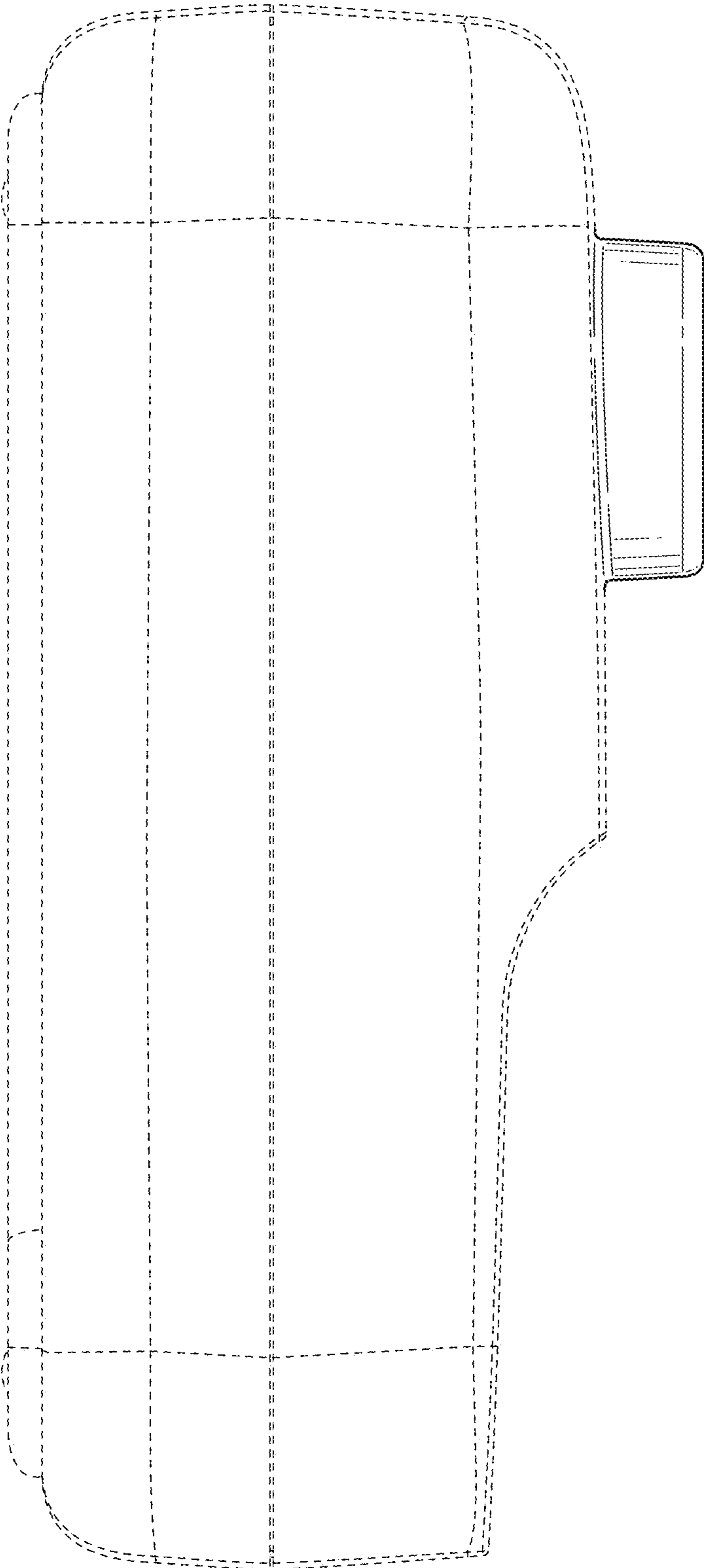


FIG. 6

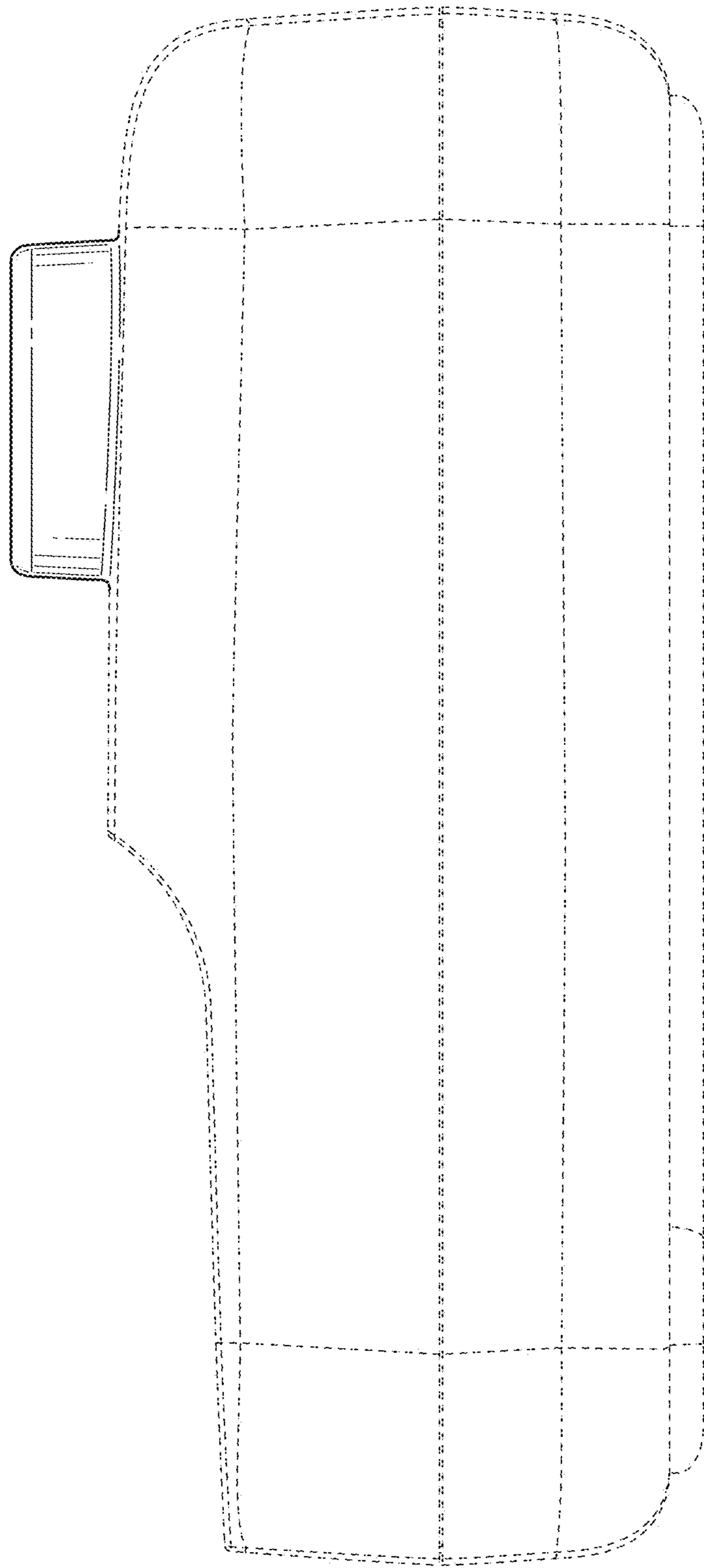


FIG. 7

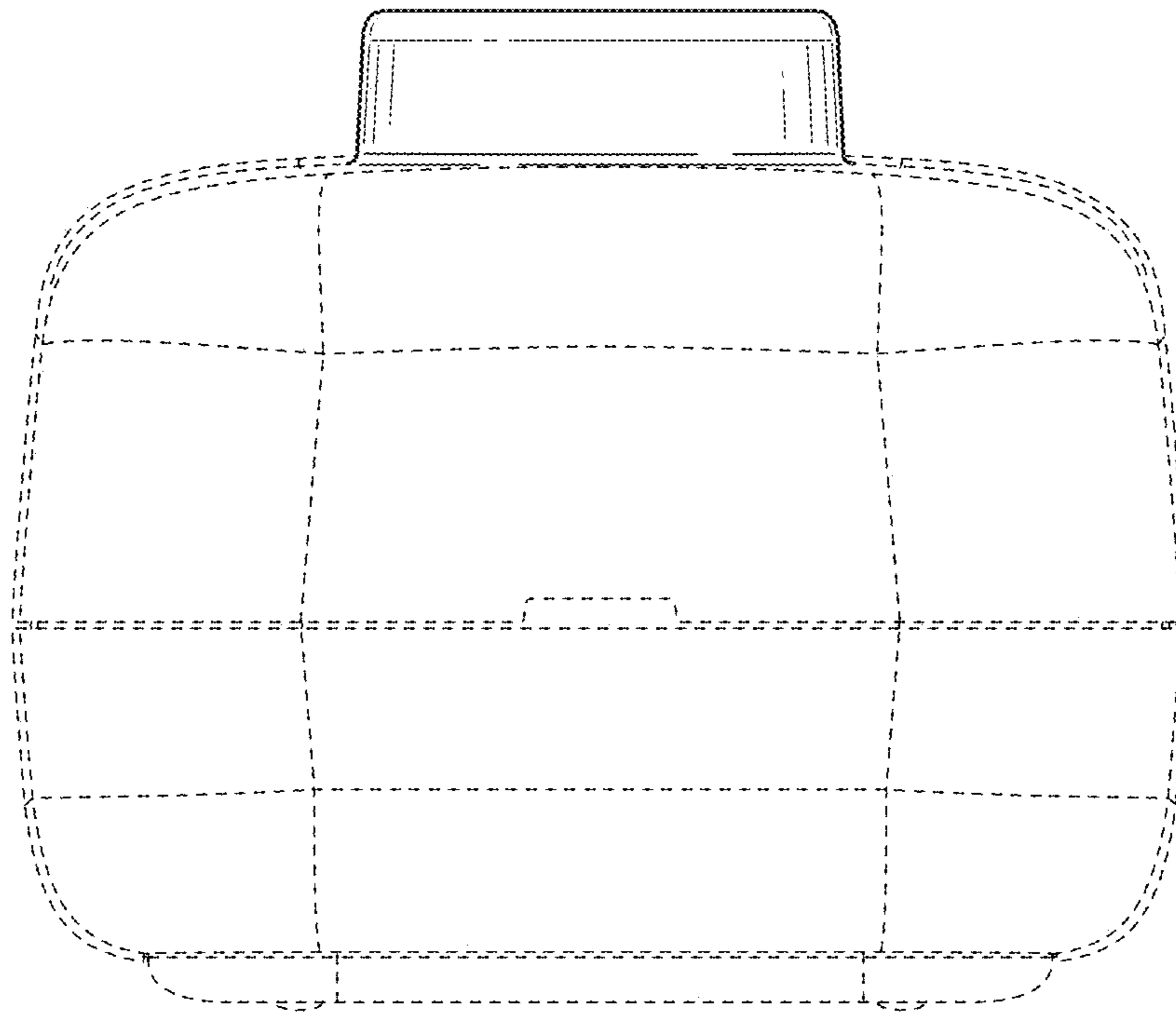


FIG. 8

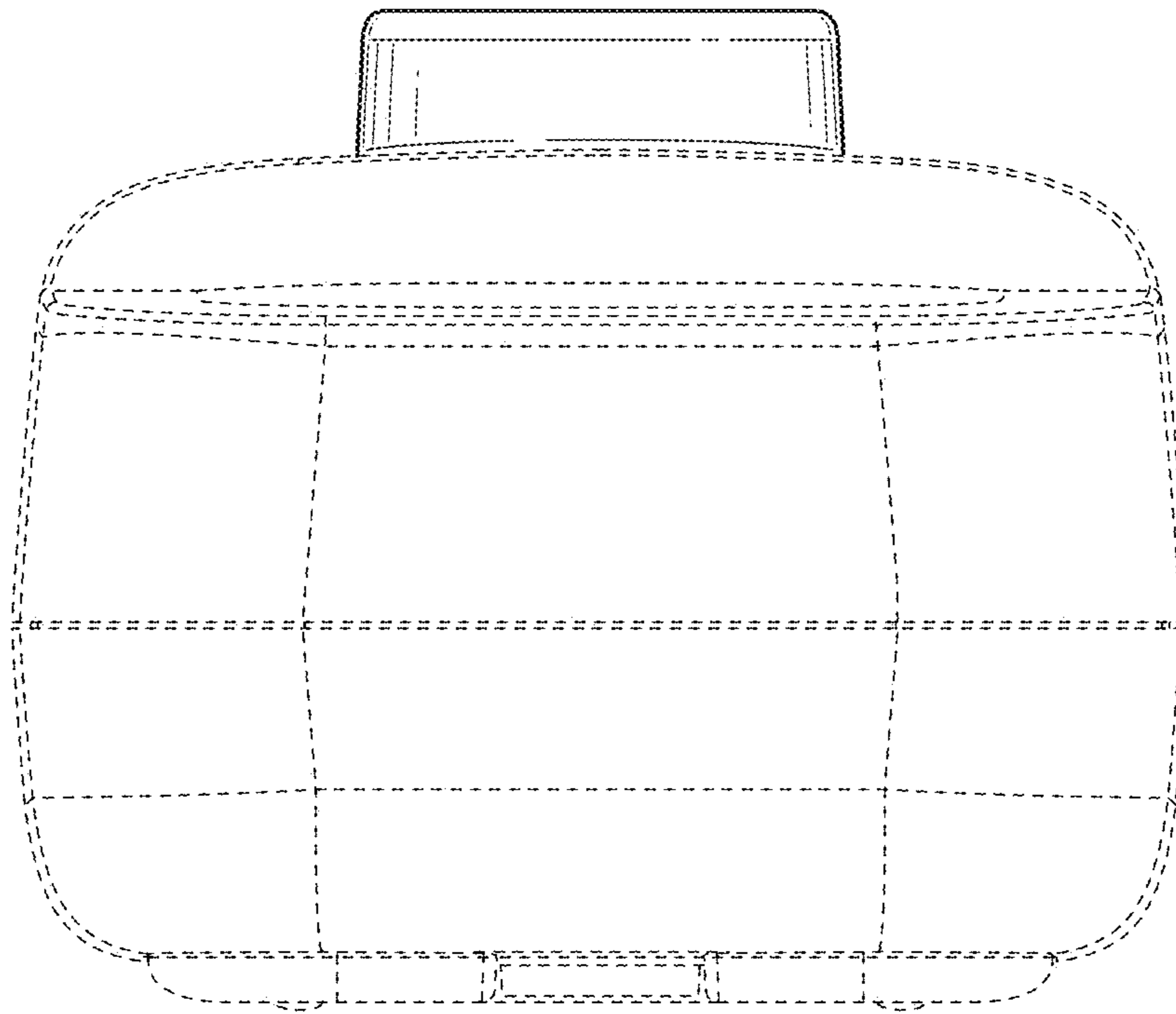


FIG. 9