

US00D955597S

(12) **United States Design Patent**
Liu

(10) **Patent No.:** **US D955,597 S**
(45) **Date of Patent:** **** Jun. 21, 2022**

- (54) **ADULT TOY WITH STAND**
- (71) Applicant: **Danxiao Information Technology Ltd.,**
Guangdong (CN)
- (72) Inventor: **Dan Liu,** Guangzhou (CN)
- (**) Term: **15 Years**
- (21) Appl. No.: **29/766,215**
- (22) Filed: **Jan. 14, 2021**
- (51) **LOC (13) Cl.** **28-03**
- (52) **U.S. Cl.**
USPC **D24/215**
- (58) **Field of Classification Search**
USPC D21/662, 673, 686, 691, 694, 826;
D25/62, 66, 68, 119, 126, 136; D6/329;
D8/14, 323, 349, 354, 360; D24/107,
D24/128, 215; D15/10, 66, 122, 141,
D15/147, 199
CPC .. A63B 1/00; A63B 2023/003; A63B 23/1218
See application file for complete search history.

- D549,749 S * 8/2007 Francis D15/141
- D824,036 S * 7/2018 Hu D24/200
- D908,231 S * 1/2021 Ye D24/200
- D911,543 S * 2/2021 Zhang D24/215
- D919,108 S * 5/2021 Zhang D24/215
- 2019/0105527 A1* 4/2019 Hallmark A63B 23/0216

* cited by examiner

Primary Examiner — Michael A Maharajh
(74) *Attorney, Agent, or Firm* — Ellenoff Grossman & Schole LLP; James M. Smedley; Alex Korona

(57) **CLAIM**

I claim the ornamental design for an adult toy with stand, as shown and described.

DESCRIPTION

FIG. 1 is a front perspective view of the adult toy with stand showing my new design;
FIG. 2 is a rear perspective view thereof;
FIG. 3 is a front elevational view thereof;
FIG. 4 is a rear elevational view thereof;
FIG. 5 is a top plan view thereof;
FIG. 6 is a bottom plan view thereof;
FIG. 7 is a side view thereof; and,
FIG. 8 is another side view thereof.

The shading lines shown in the drawings represent the approximate three-dimensional contour of the design, and are not intended to indicate surface decoration.

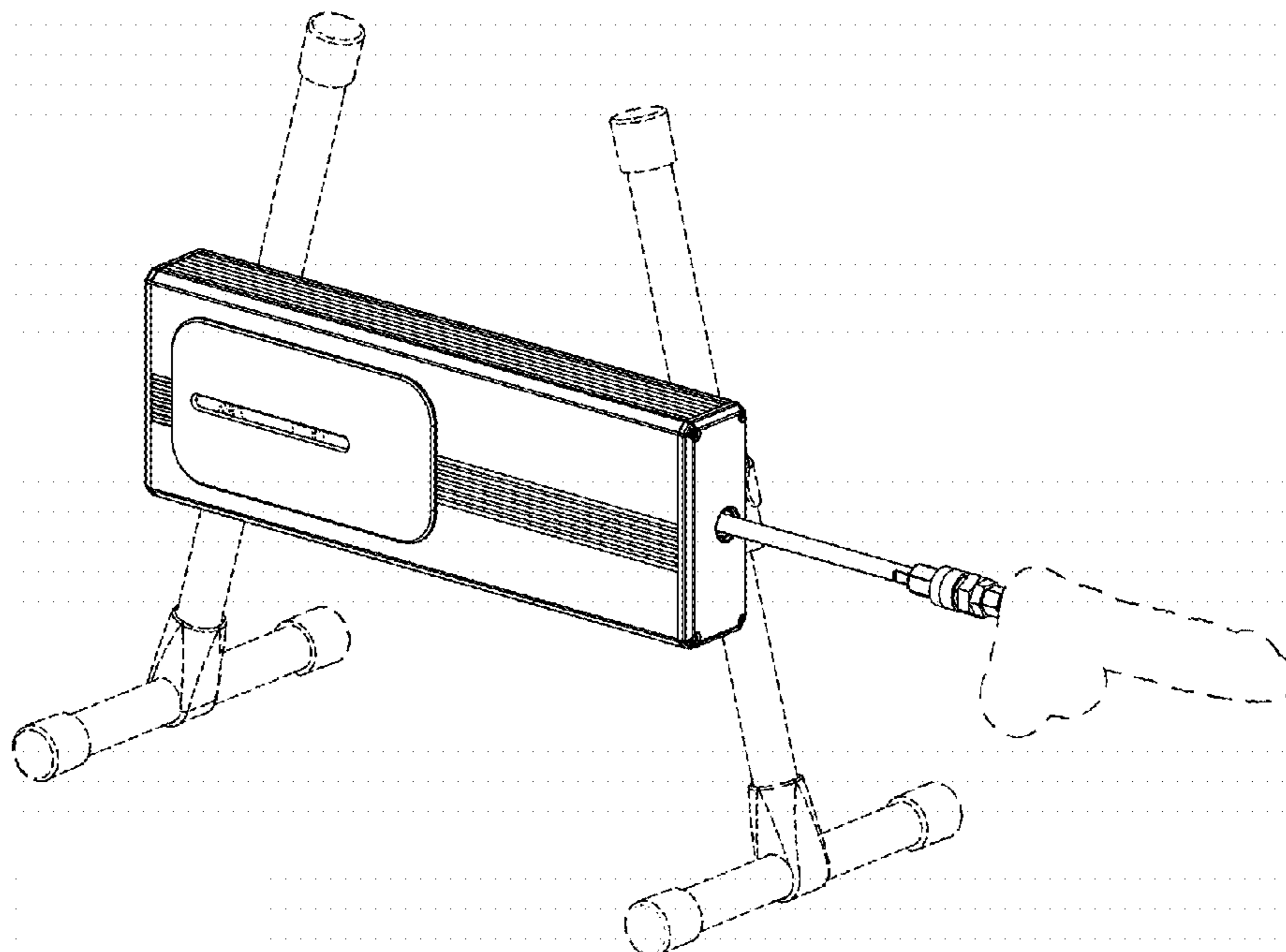
The broken lines indicate portions of the adult toy with stand that form no part of the claimed design.

1 Claim, 3 Drawing Sheets

(56) **References Cited**

U.S. PATENT DOCUMENTS

- D243,294 S * 2/1977 Thaheld D15/66
- D244,754 S * 6/1977 Bard D15/66
- D244,755 S * 6/1977 Bard D15/66
- 4,042,232 A * 8/1977 Li A61G 13/12
D24/128
- 4,350,067 A * 9/1982 Picard B27B 17/0058
D15/133
- 4,355,525 A * 10/1982 Carson B21D 7/024
D15/199
- D307,182 S * 4/1990 Smith D24/128
- D368,288 S * 3/1996 Kasbohm D21/686
- D401,985 S * 12/1998 Wheeler D21/686



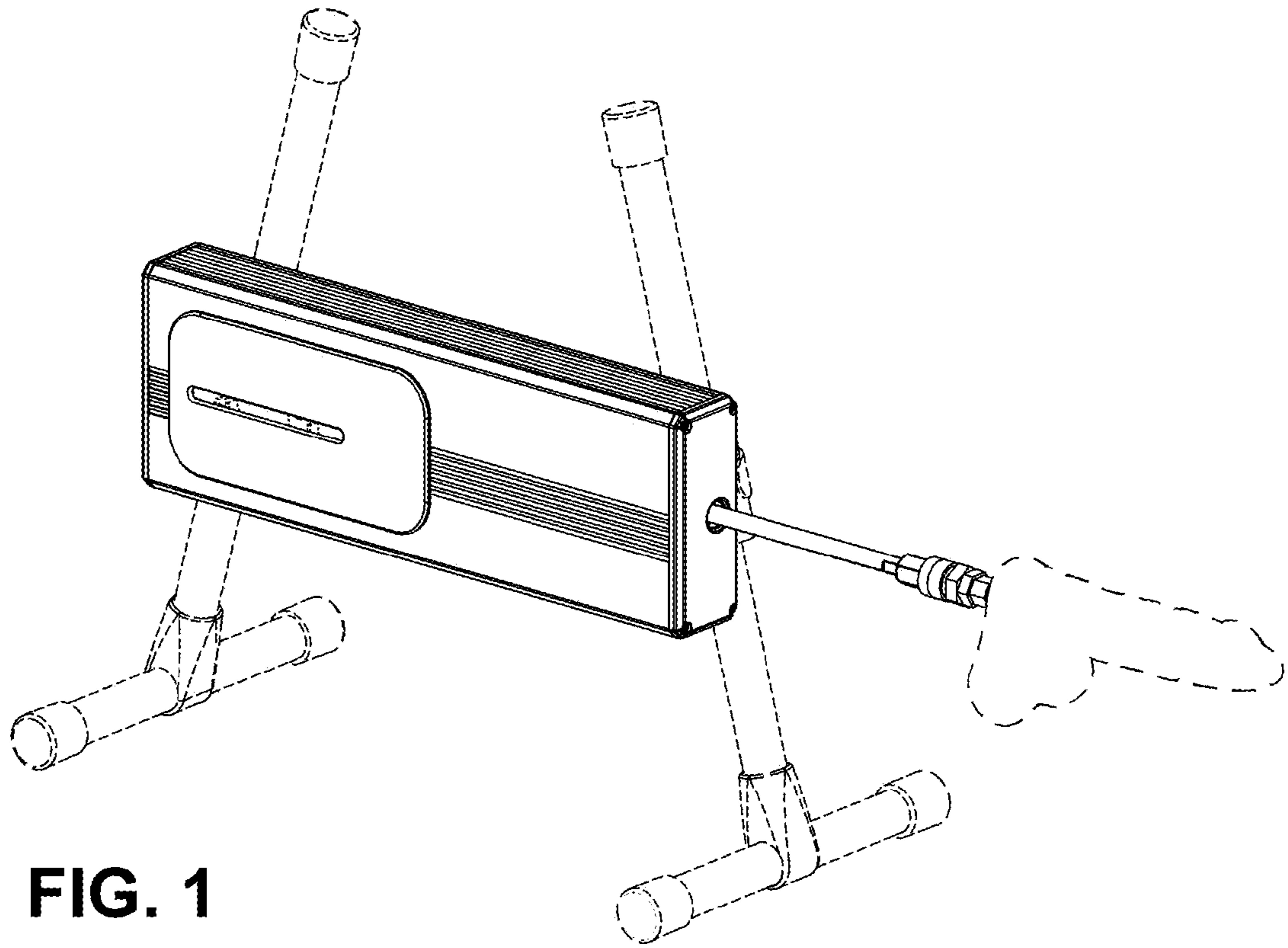


FIG. 1

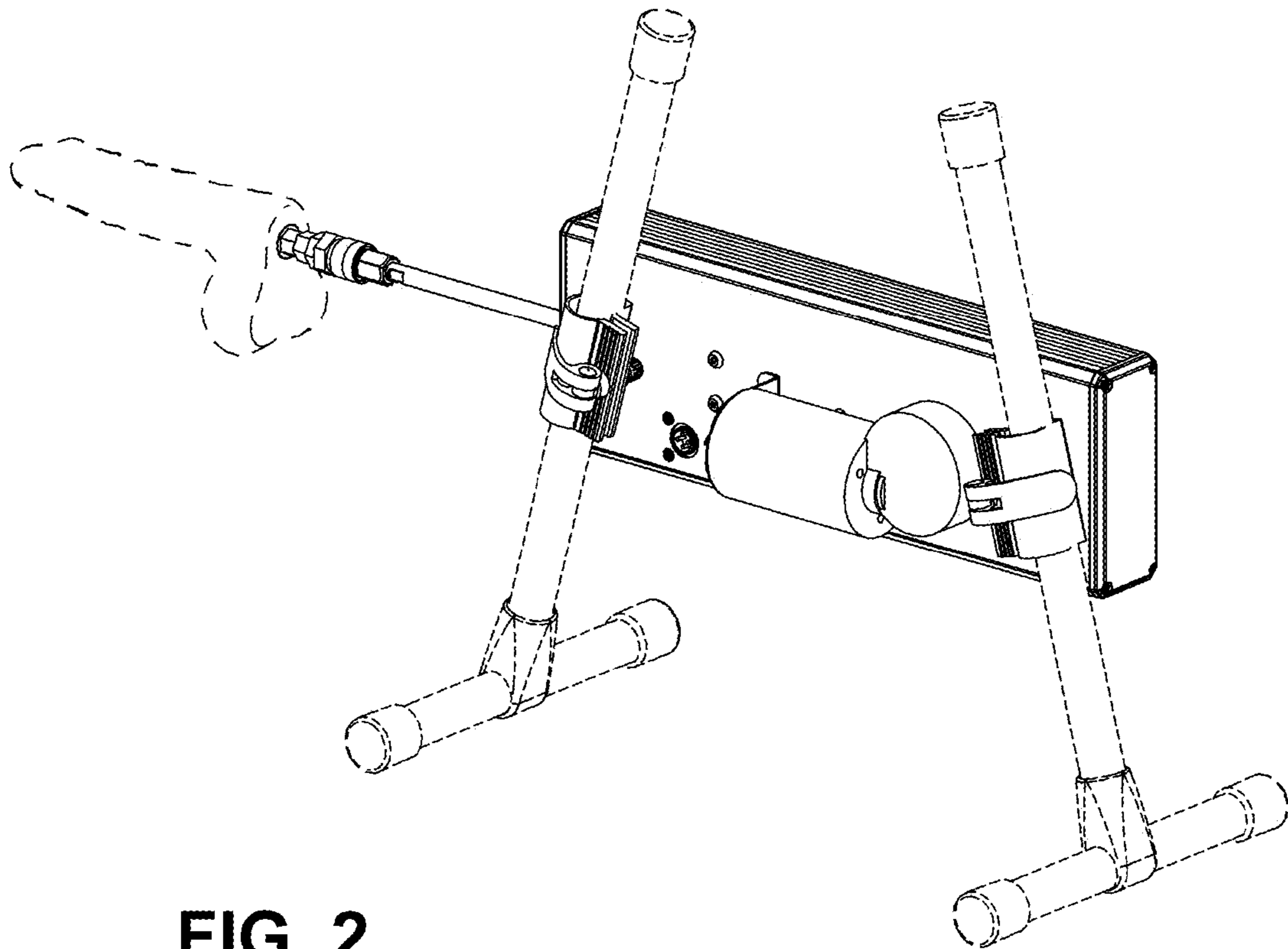


FIG. 2

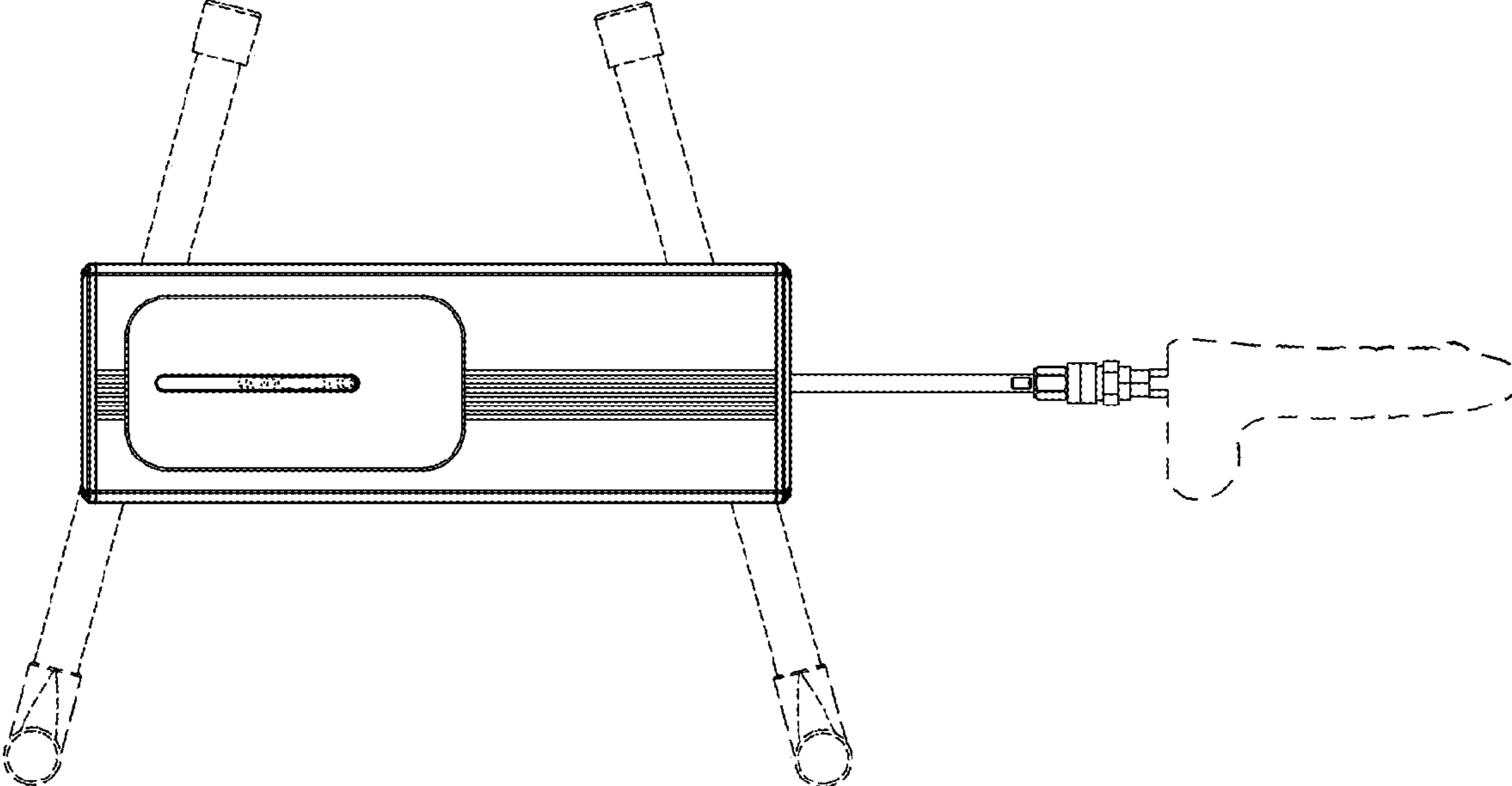


FIG. 3

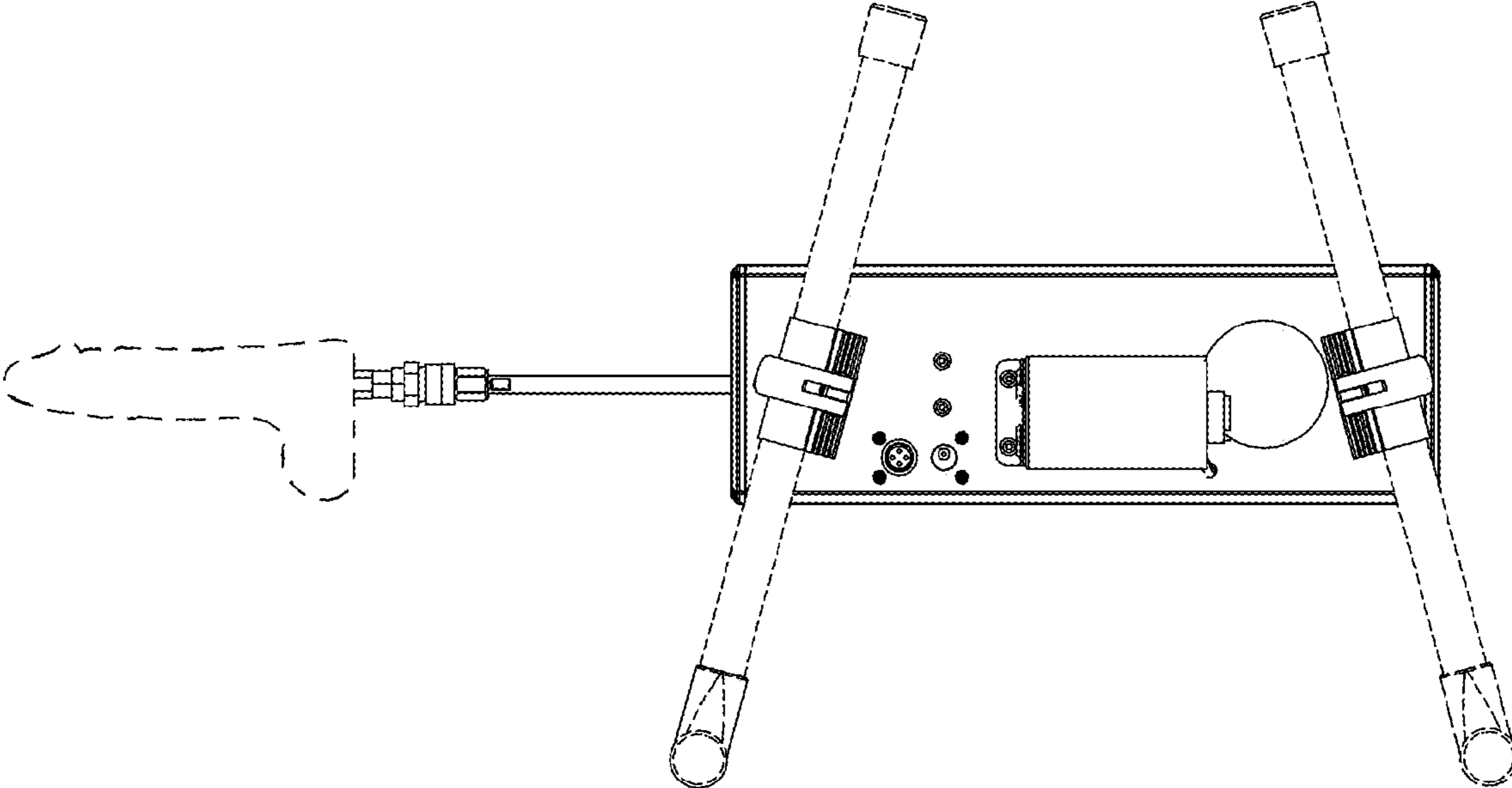


FIG. 4

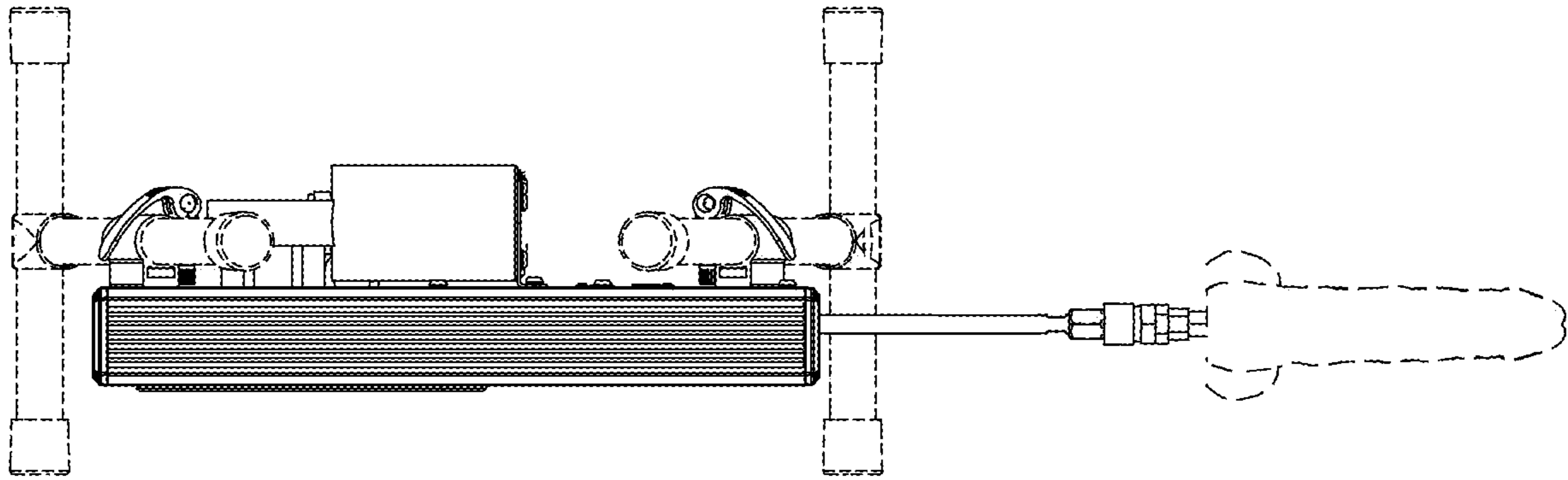


FIG. 5

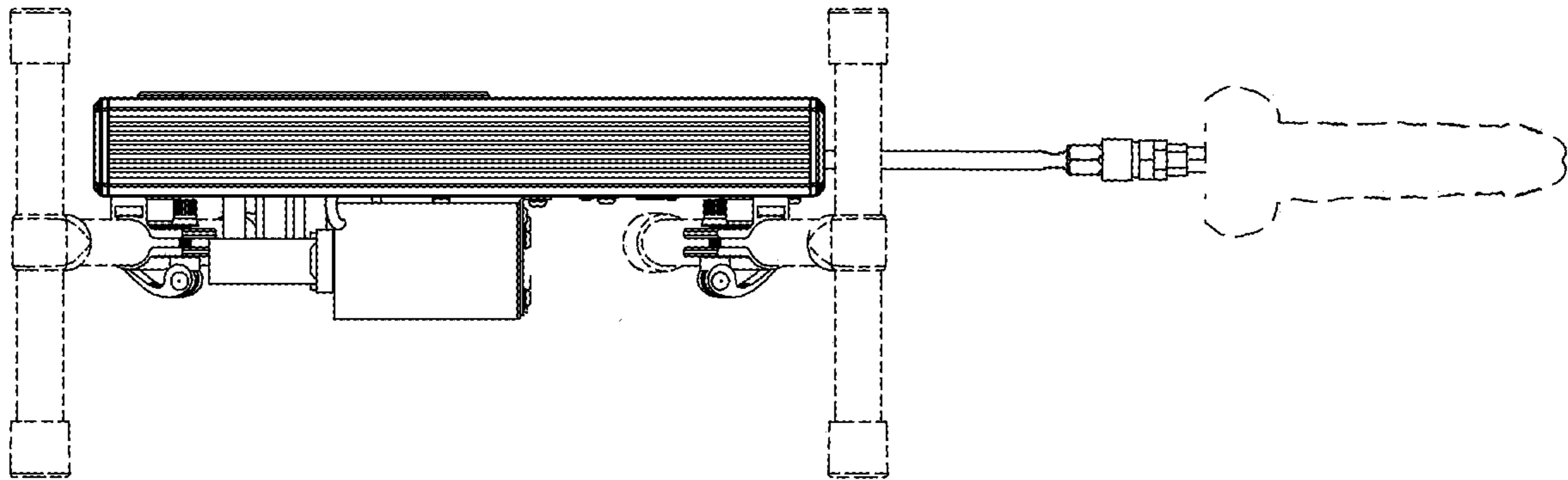


FIG. 6

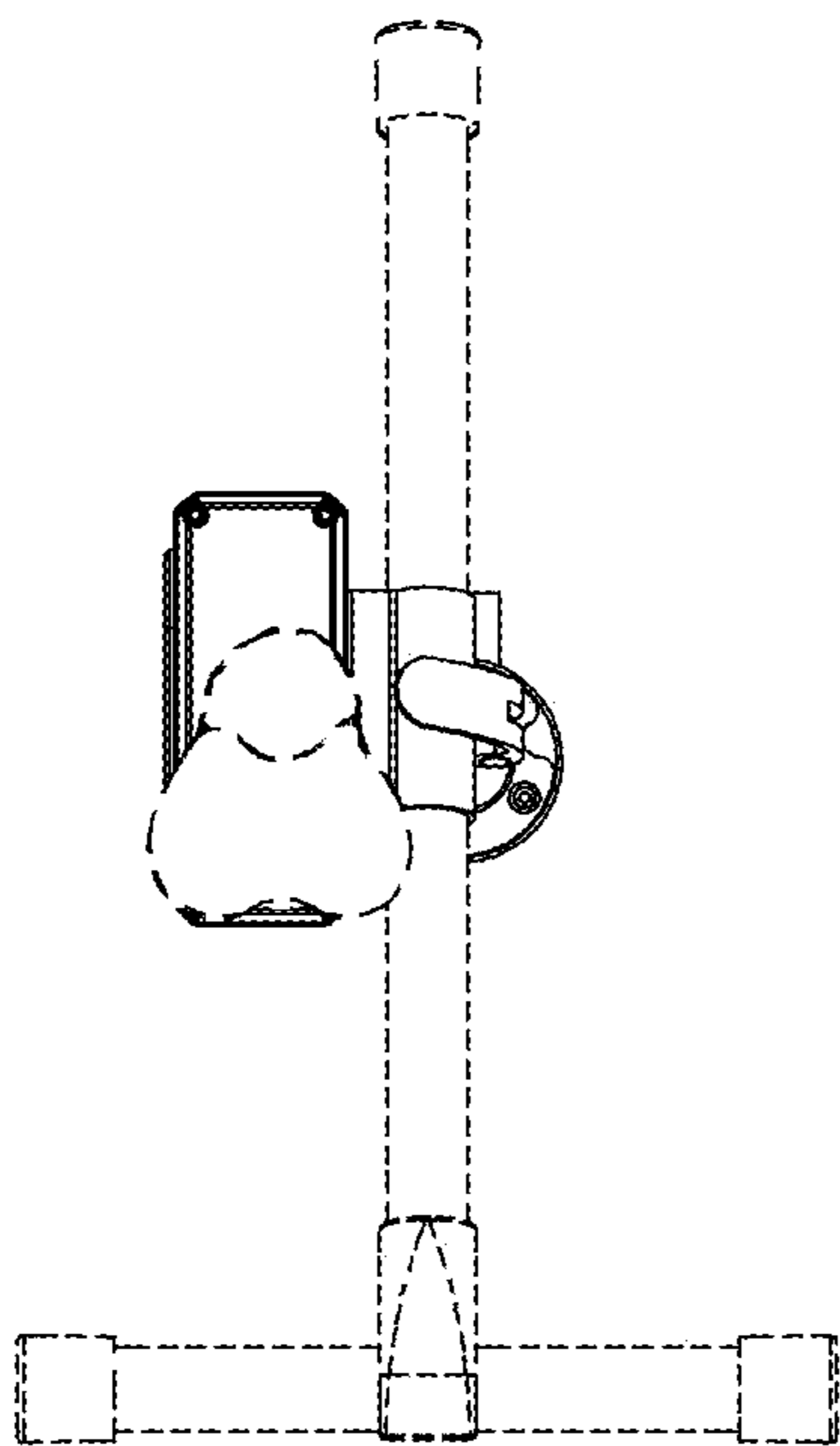


FIG. 7

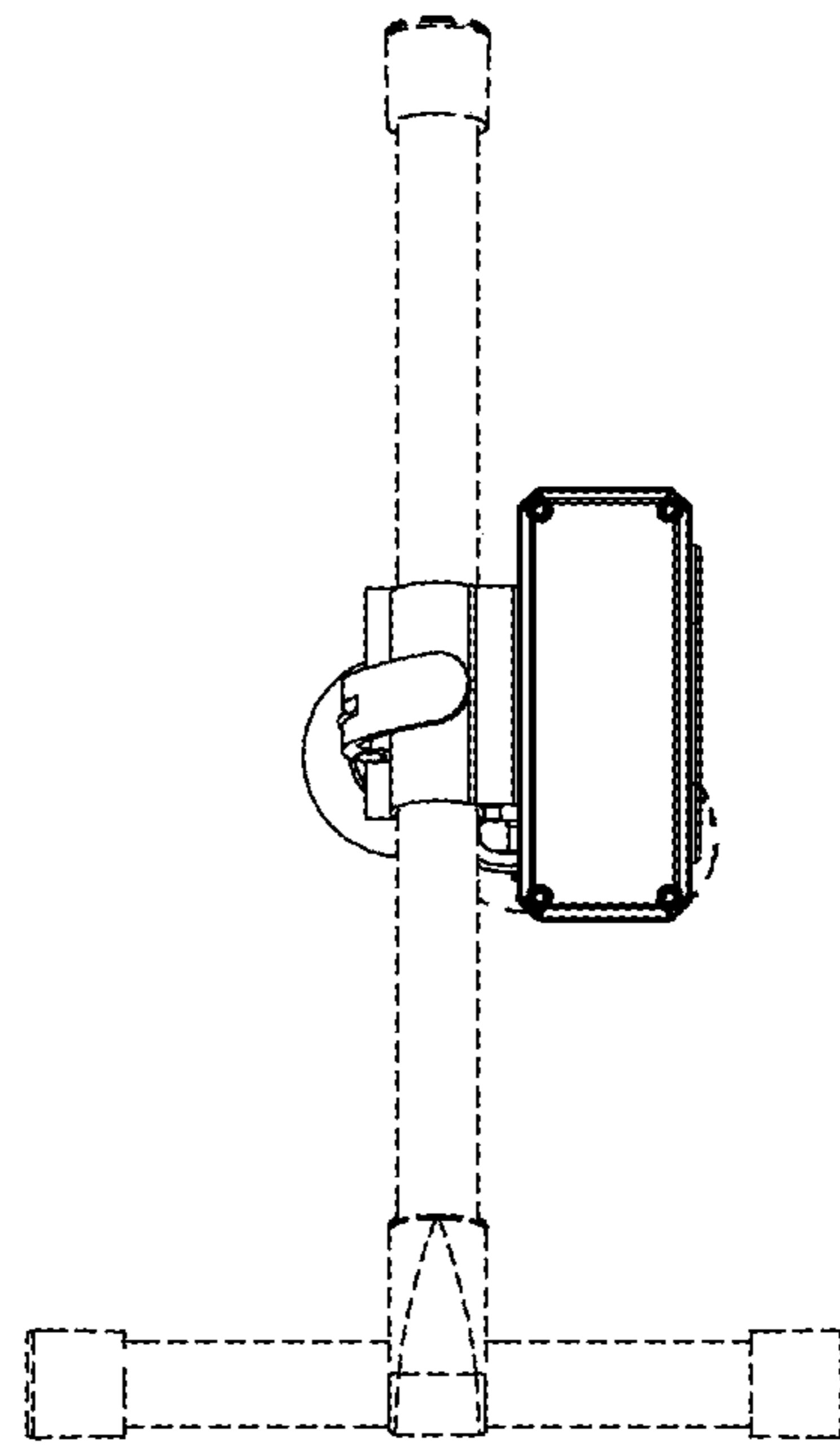


FIG. 8