



US00D955596S

(12) **United States Design Patent**
He

(10) **Patent No.:** **US D955,596 S**

(45) **Date of Patent:** **** Jun. 21, 2022**

(54) **MASSAGER**

(71) Applicant: **Shenzhen S-Hande Technology Co., Ltd.**, Shenzhen (CN)

(72) Inventor: **Jing He**, Shenzhen (CN)

(73) Assignee: **SHENZHEN S-HANDE TECHNOLOGY CO., LTD.**, Shenzhen (CN)

(**) Term: **15 Years**

(21) Appl. No.: **29/757,798**

(22) Filed: **Nov. 10, 2020**

(30) **Foreign Application Priority Data**

Oct. 30, 2020 (CN) 202030651244.2

(51) **LOC (13) Cl.** **28-03**

(52) **U.S. Cl.**
USPC **D24/215**

(58) **Field of Classification Search**
USPC D24/200, 211, 213, 214, 215
CPC A61H 19/34; A61H 7/003; A61H 19/30
See application file for complete search history.

(56) **References Cited**

U.S. PATENT DOCUMENTS

D556,336 S * 11/2007 Talbot D24/215
D617,000 S * 6/2010 Mills D24/215

D706,436 S * 6/2014 Hahr D24/215
D706,443 S * 6/2014 Hahr D24/215
D727,526 S * 4/2015 Mercado Diaz D24/215
D808,034 S * 1/2018 Matsuura D24/215
D840,548 S * 2/2019 Page D24/215
D898,214 S * 10/2020 Zhou D24/215

* cited by examiner

Primary Examiner — Michael A Maharajh

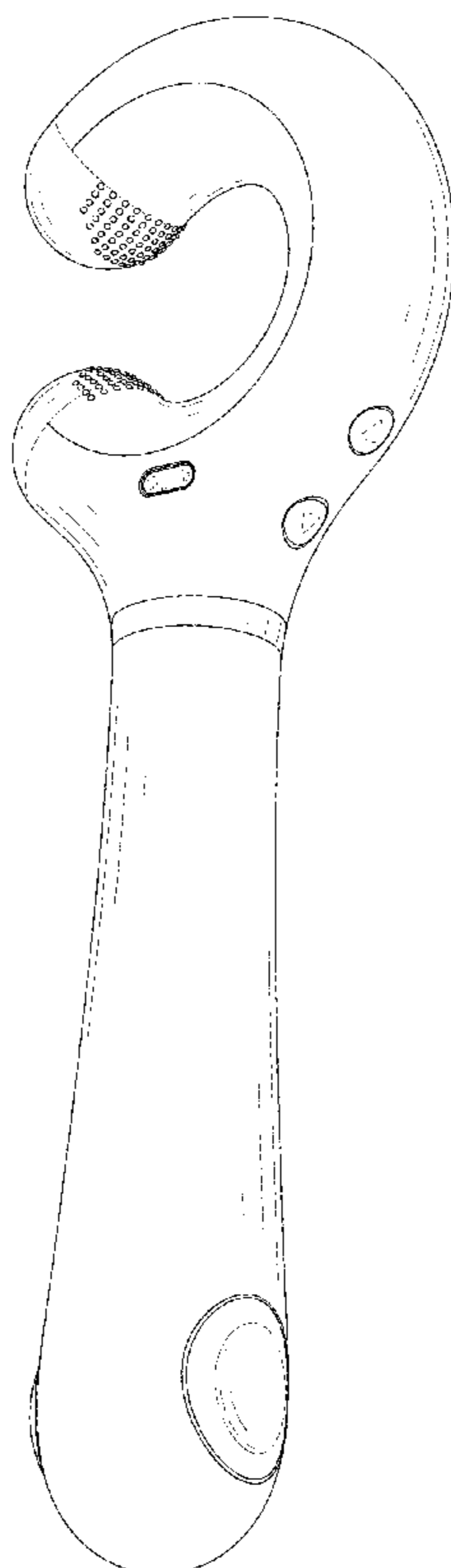
(57) **CLAIM**

The ornamental design for a massager, as shown and described.

DESCRIPTION

FIG. 1 is a perspective view of a massager showing my new design;
FIG. 2 is another perspective view thereof;
FIG. 3 is a front elevational view thereof;
FIG. 4 is a rear elevational view thereof;
FIG. 5 is a left side elevational view thereof;
FIG. 6 is a right side elevational view thereof;
FIG. 7 is a top plan view thereof; and,
FIG. 8 is a bottom plan view thereof.
The broken lines in the drawings depict portions of the massager that form no part of the claimed design.

1 Claim, 8 Drawing Sheets



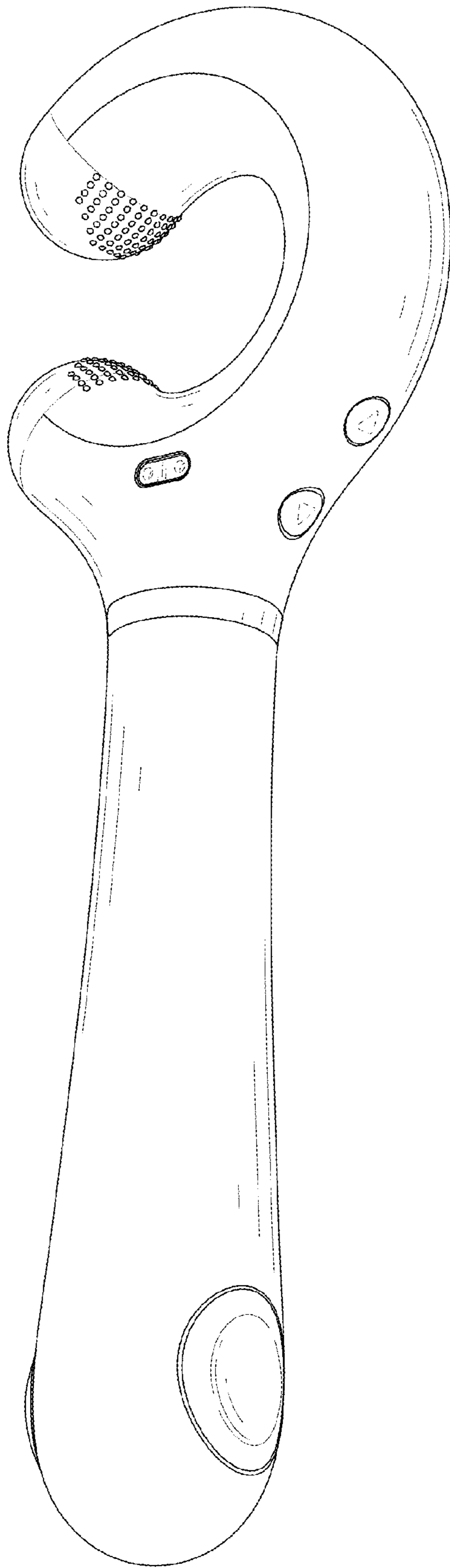


FIG. 1

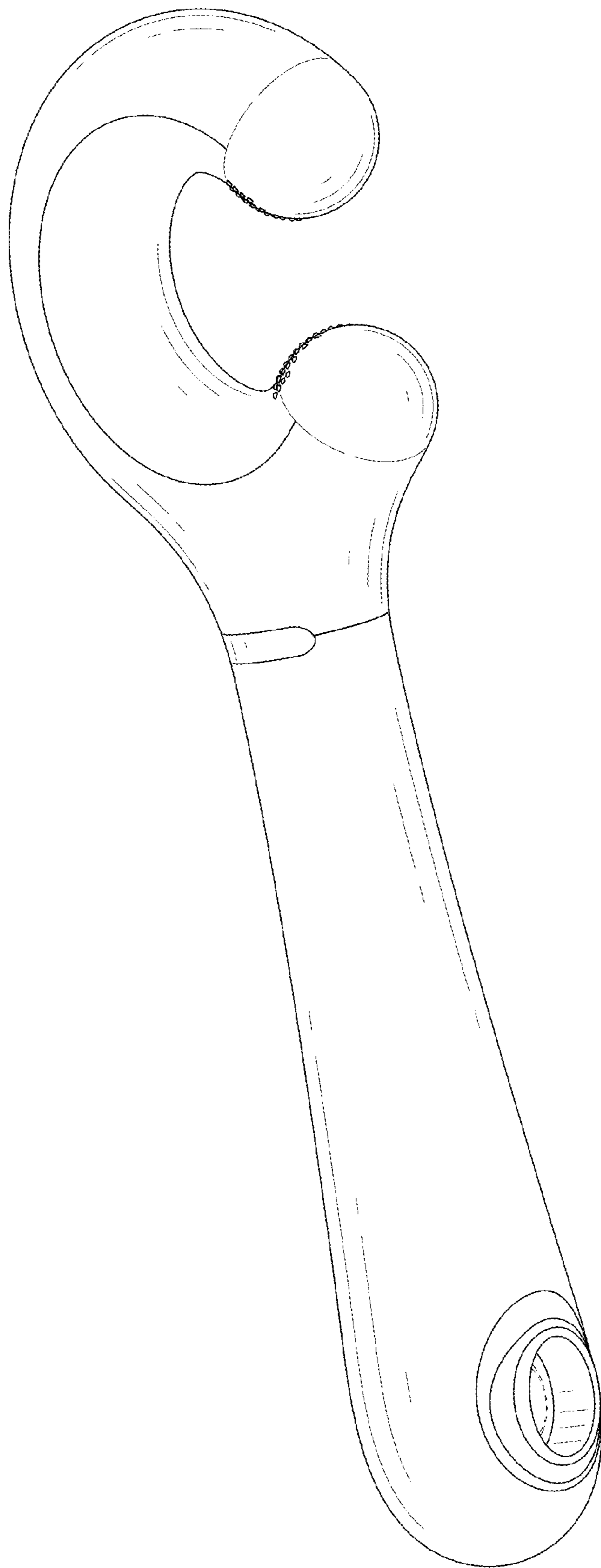


FIG. 2

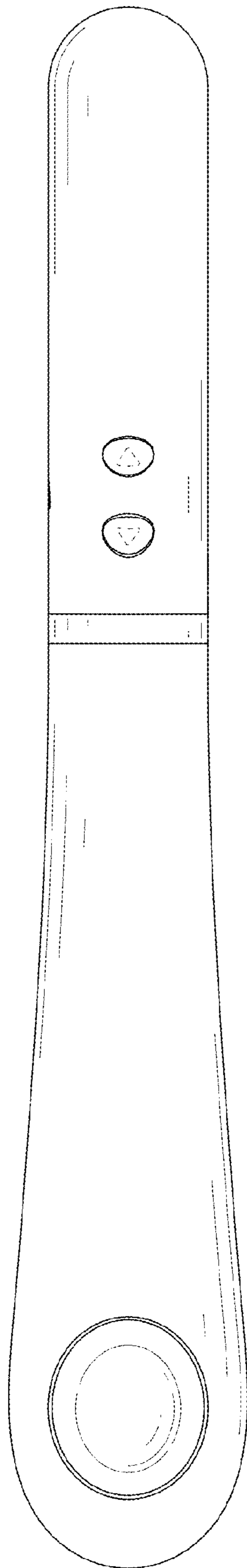


FIG. 3

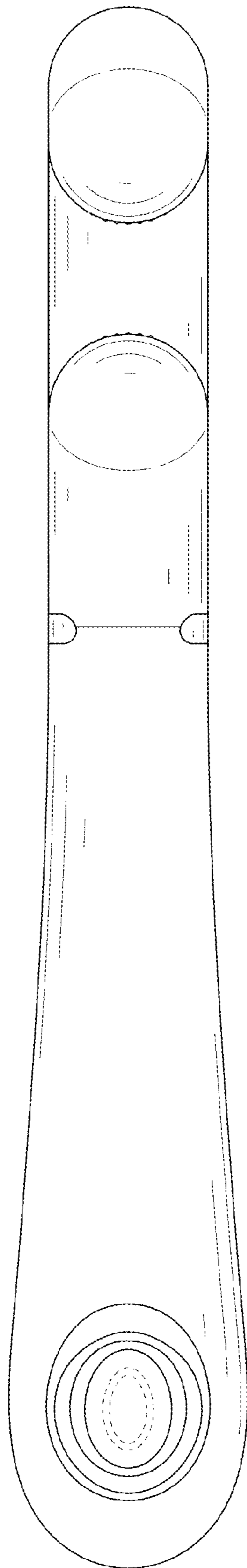


FIG. 4

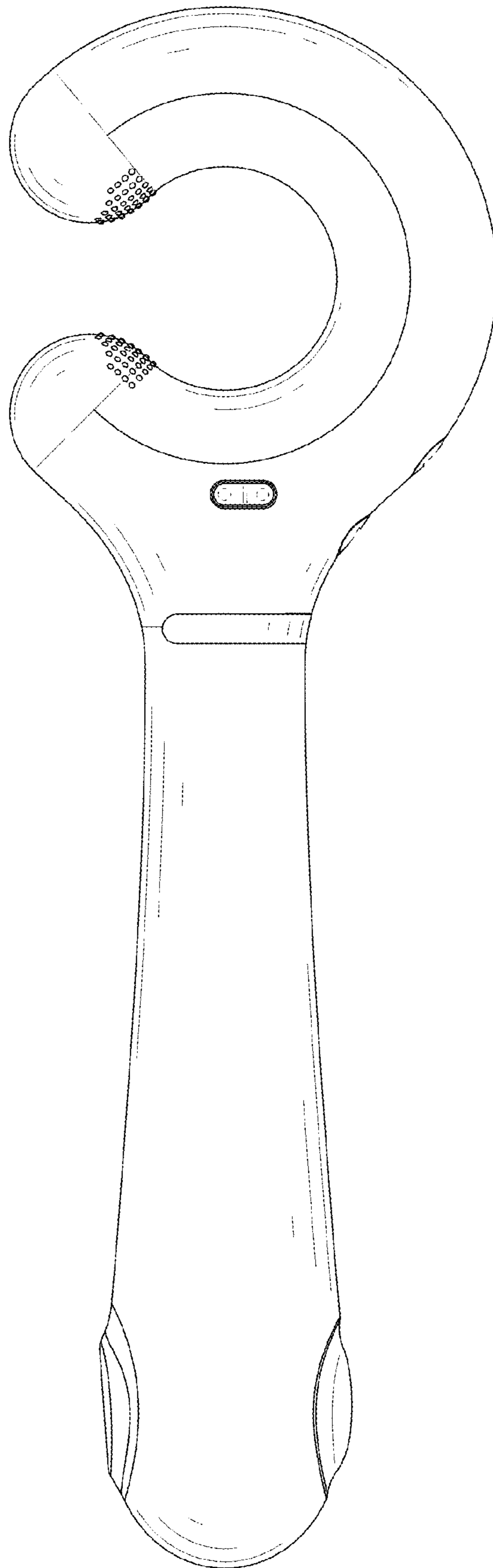


FIG. 5

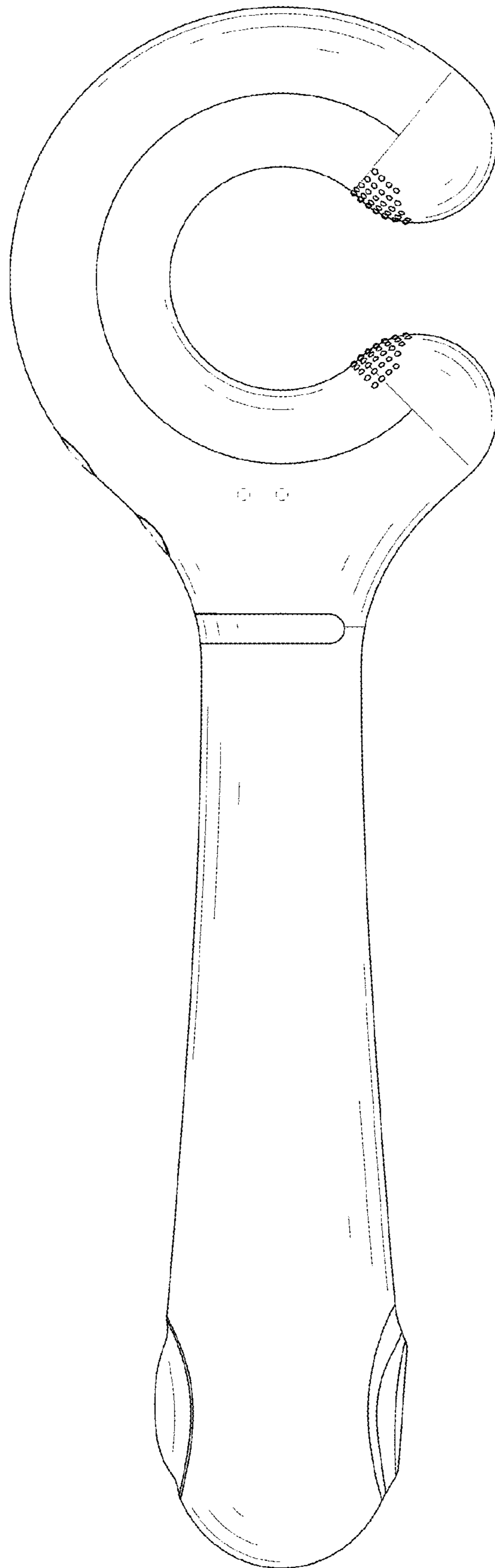


FIG. 6

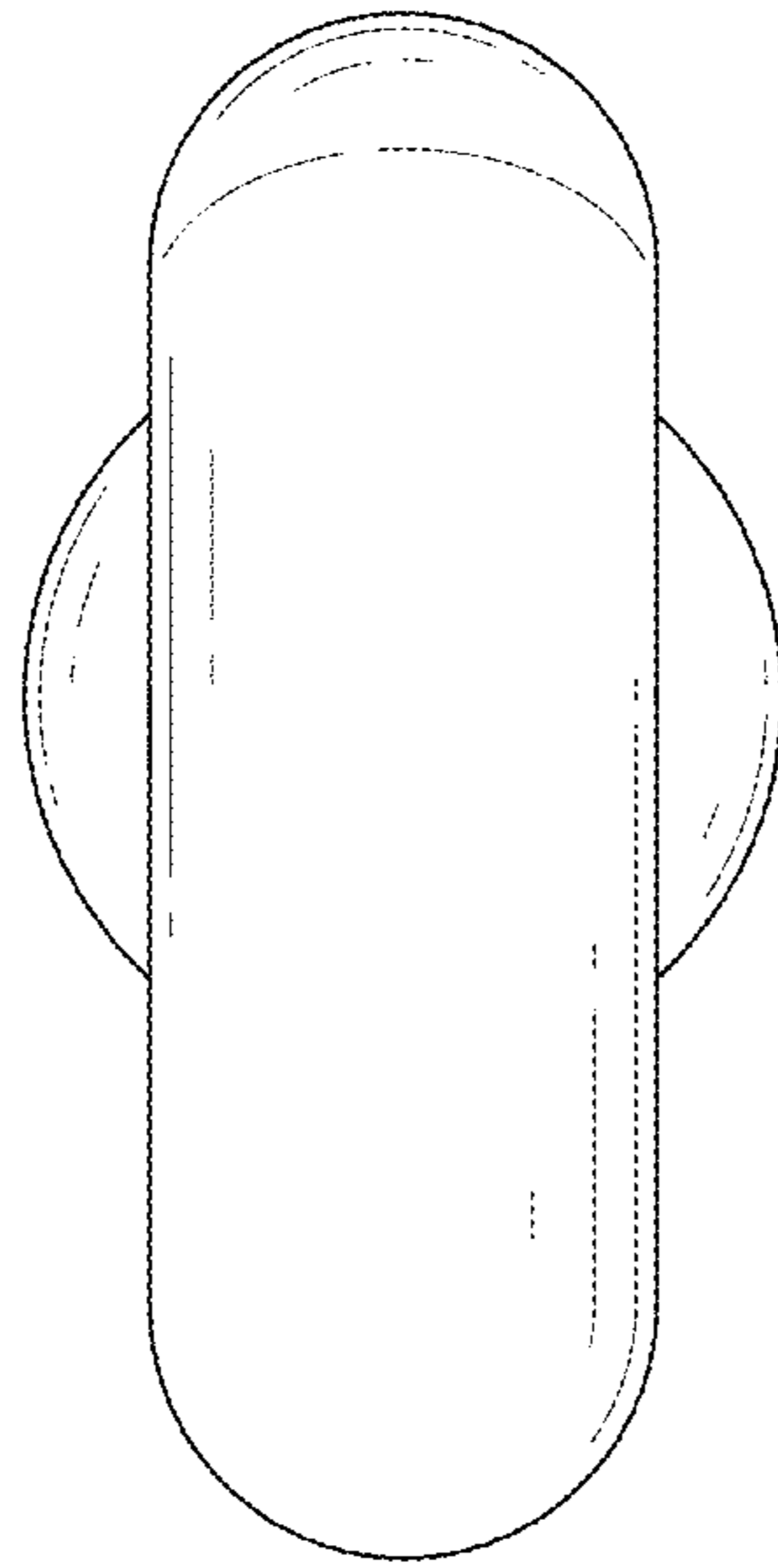


FIG. 7

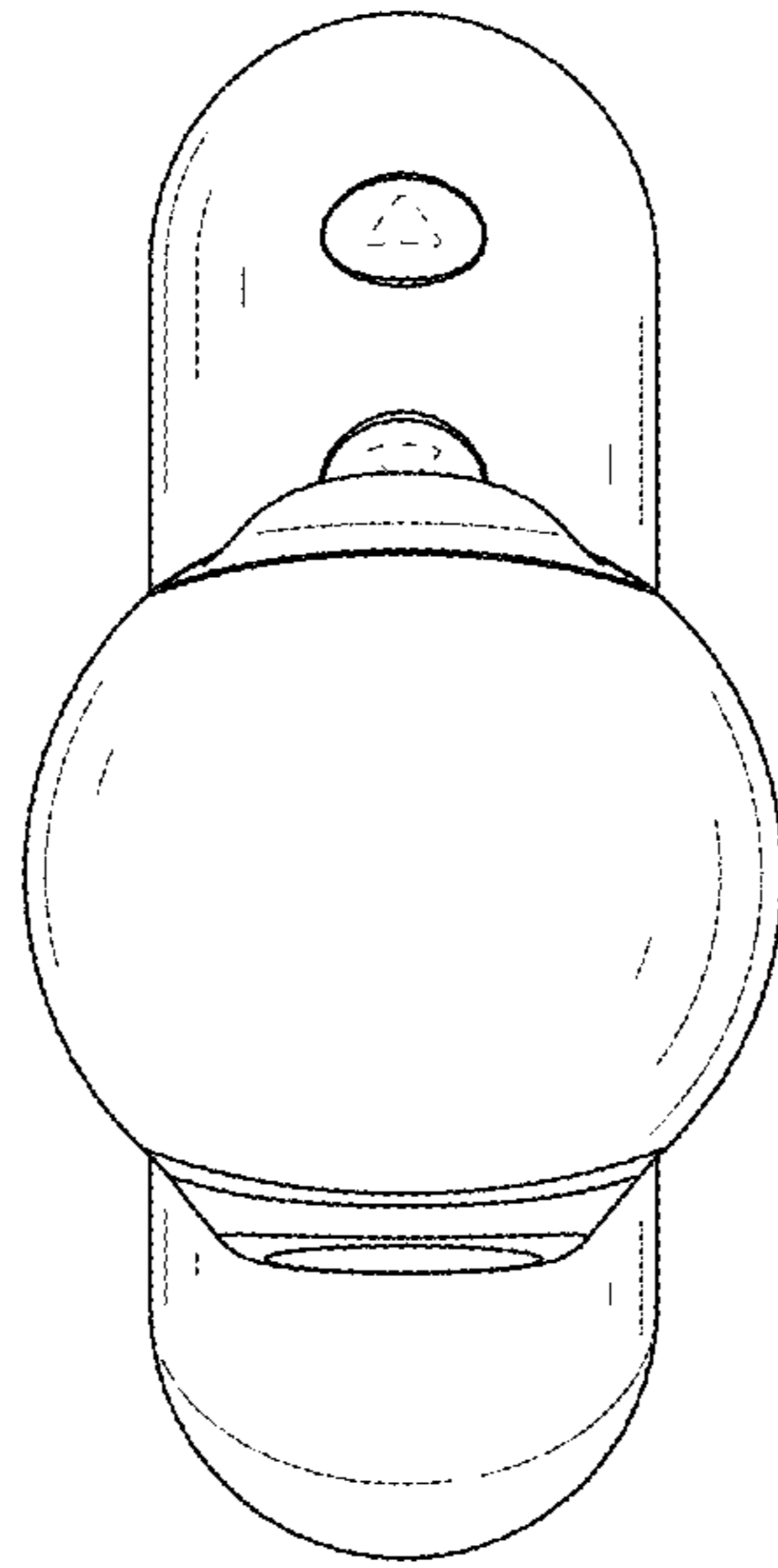


FIG. 8