



US00D955595S

(12) **United States Design Patent**
Wersland et al.

(10) **Patent No.:** **US D955,595 S**
(45) **Date of Patent:** **** Jun. 21, 2022**

- (54) **PERCUSSIVE MASSAGE DEVICE**
- (71) Applicant: **Theragun, Inc.**, Beverly Hills, CA (US)
- (72) Inventors: **Jason Wersland**, Manhattan Beach, CA (US); **Michael Waldron**, Dunnington (GB); **Geert Ensing**, Shanghai (CN); **Benjamin Nazarian**, Los Angeles, CA (US)
- (73) Assignee: **THERABODY, INC.**, Los Angeles, CA (US)
- (**) Term: **15 Years**
- (21) Appl. No.: **29/726,240**
- (22) Filed: **Mar. 2, 2020**

- 5,311,860 A 5/1994 Doria
 - D362,307 S 9/1995 Cirone
 - D367,712 S 3/1996 Young
 - D383,850 S 9/1997 Machuron
 - D387,174 S 12/1997 Gladieux, Jr.
 - D415,838 S 10/1999 Noble
 - D432,913 S 10/2000 Hurwic
 - 6,228,042 B1 5/2001 Dungan
 - D450,853 S 11/2001 Spalding
 - D476,746 S 7/2003 Harris
- (Continued)

Related U.S. Application Data

- (63) Continuation of application No. 29/619,831, filed on Oct. 2, 2017, now Pat. No. Des. 877,351.
- (51) **LOC (13) Cl.** **28-03**
- (52) **U.S. Cl.**
USPC **D24/215**
- (58) **Field of Classification Search**
USPC D24/200, 211, 212, 213, 214, 215;
D8/14.1; D28/13
CPC . A61H 2201/1635; A61H 23/006; A61H 1/00
See application file for complete search history.

References Cited

U.S. PATENT DOCUMENTS

- 1,657,765 A 1/1928 Pasque
- D245,864 S 9/1977 Gelbart
- D315,408 S 3/1991 Duk
- D323,034 S 1/1992 Reinstein
- 5,088,474 A 2/1992 Mabuchi
- D346,660 S 5/1994 Chiang

OTHER PUBLICATIONS

Popsugar, "This Is The New Fitness Tool You've Seen All Over Instagram", Sep. 27, 2018. <https://www.popsugar.com/fitness/What-Theragun-45286397>. Shown on p. 1. (Year: 2018).*

(Continued)

Primary Examiner — Michael A Maharajh

(74) *Attorney, Agent, or Firm* — Jeffer Mangels; Butler & Mitchell LLP; Brennan C. Swain, Esq.

(57) **CLAIM**

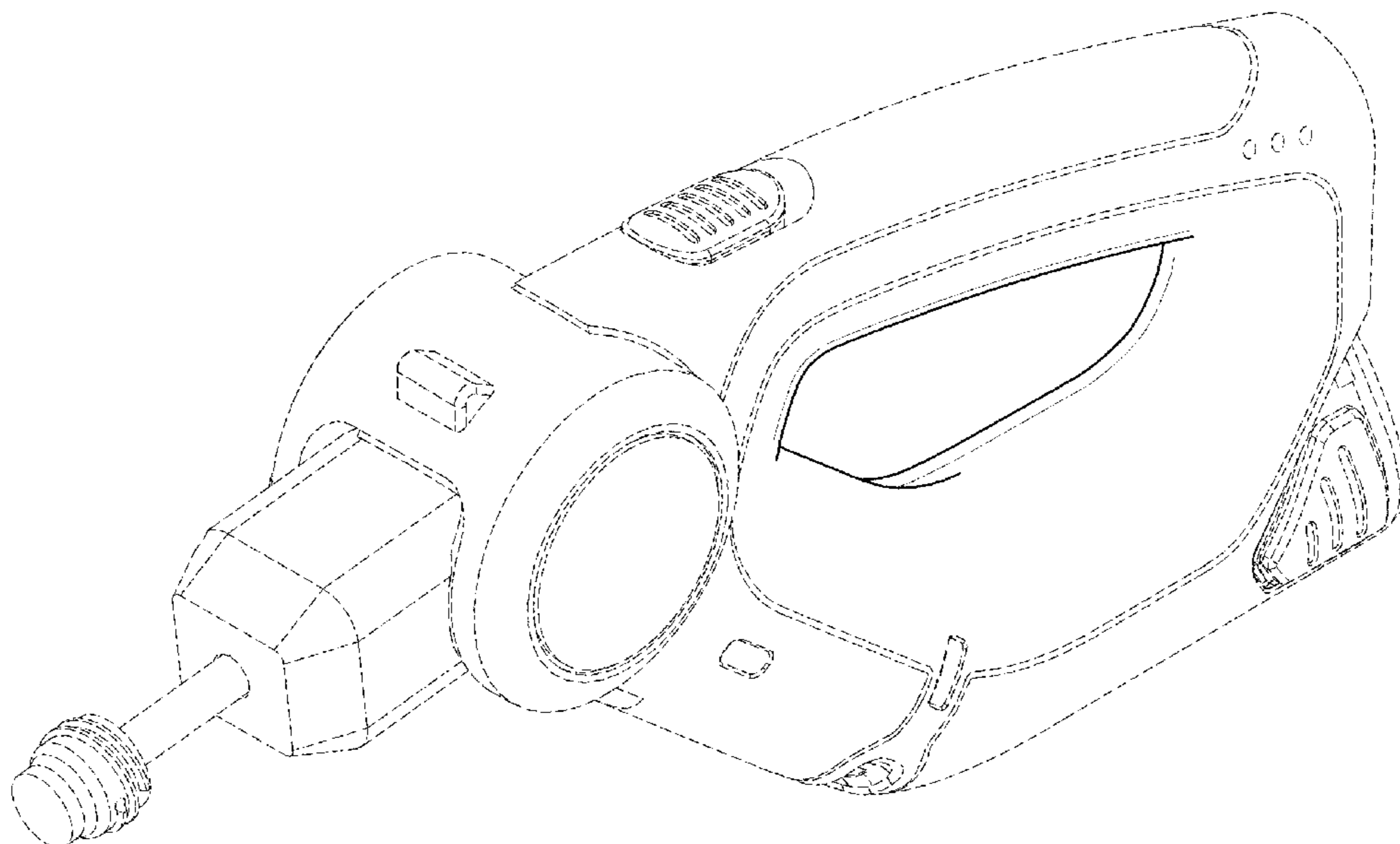
The ornamental design for a percussive massage device, as shown and described.

DESCRIPTION

FIG. 1 is a perspective view of a percussive massage device, showing our new design;
 FIG. 2 is a right side elevational view thereof;
 FIG. 3 is a left side elevational view thereof;
 FIG. 4 is a front elevational view thereof;
 FIG. 5 is a rear elevational view thereof;
 FIG. 6 is a top plan view thereof; and,
 FIG. 7 is a bottom plan view thereof.

The broken lines in the drawings are for the purposes of illustrating portions of the percussive massage device, which form no part of the claimed design.

1 Claim, 6 Drawing Sheets



(56)

References Cited

U.S. PATENT DOCUMENTS

6,730,050 B2 5/2004 Huang
 6,786,878 B2 9/2004 Dehli
 D531,733 S 11/2006 Burout, III
 7,211,057 B2 5/2007 Gleason
 D583,064 S 12/2008 Ferber
 D599,029 S 8/2009 Ferber
 D628,304 S 11/2010 Aulwes
 D649,657 S 11/2011 Petersen
 D666,303 S 8/2012 Ding
 9,889,066 B2 2/2018 Danby
 D823,478 S 7/2018 Park
 D837,395 S 1/2019 Gan
 D842,489 S 3/2019 Spewock
 10,428,850 B2 * 10/2019 Wersland B23B 31/11
 10,470,970 B2 * 11/2019 Nazarian F16D 1/087
 D872,869 S * 1/2020 Lu D24/215
 D877,351 S * 3/2020 Wersland D24/215
 D879,985 S * 3/2020 Wersland D24/214
 D879,986 S * 3/2020 Wersland D24/214
 D880,714 S * 4/2020 Wersland D24/215
 D880,715 S * 4/2020 Wersland D24/215
 D880,716 S * 4/2020 Wersland D24/215
 D884,915 S * 5/2020 Wersland D24/215
 D885,601 S * 5/2020 Wersland D24/215
 D887,573 S * 6/2020 Wersland D24/215
 10,714,953 B1 * 7/2020 Solana H02J 7/0044
 10,857,064 B2 * 12/2020 Wersland A61H 23/006
 10,912,707 B2 * 2/2021 Wersland A61H 23/00
 D912,268 S * 3/2021 Xiang D24/215
 D912,835 S * 3/2021 Ren D24/200
 10,940,081 B2 * 3/2021 Nazarian A61H 1/006
 10,959,911 B2 * 3/2021 Wersland A61H 1/00
 D921,914 S * 6/2021 Wersland D24/214
 D930,179 S * 9/2021 Zhu D24/215

2009/0069728 A1 3/2009 Hoffmann
 2016/0367425 A1 * 12/2016 Wersland A61H 1/008
 2017/0304145 A1 * 10/2017 Pepe A61H 23/006
 2017/0340510 A1 11/2017 Spewock
 2018/0200141 A1 * 7/2018 Wersland A61H 15/0085
 2020/0069510 A1 * 3/2020 Wersland A61H 23/006
 2020/0214930 A1 * 7/2020 Wersland A61H 1/00
 2020/0261306 A1 * 8/2020 Pepe A61H 23/0254
 2020/0261307 A1 * 8/2020 Wersland A61H 23/006
 2020/0268594 A1 * 8/2020 Pepe A61H 15/02
 2020/0352820 A1 * 11/2020 Nazarian A61H 1/00
 2020/0405574 A1 * 12/2020 Wersland A61H 1/008
 2021/0022955 A1 * 1/2021 Wersland A61H 1/006
 2021/0059898 A1 * 3/2021 Wersland A61H 15/00

OTHER PUBLICATIONS

Nymag, "Does This \$600 NBA Player Approved Massager Actually Work?", Aug. 9, 2018. <https://nymag.com/strategist/article/theragun-percussive-massage-device.html>. Shown on p. 1. (Year: 2018).*

Runnersworld, "The Theragun G2Pro Kneads Sore Muscles Into Submission", Jan. 22, 2019. <https://www.runnersworld.com/gear/a25992325/g2pro-theragun-review/>. Shown on p. 1. (Year: 2019).*

GQ, "Is The Theragun Worth It?", Aug. 10, 2018. <https://www.gq.com/story/theragun-is-it-worth-it>. Shown on p. 1. (Year: 2018).*

Youtube, "The Theragun G2PRO: Revolutionary Percussive Therapy", Oct. 10, 2017. <https://www.youtube.com/watch?v=2p9R6VA798o>. Shown at the 01:27 minute mark. (Year: 2017).*

Orbit, "Percussive Massage Device". Canadian Application No. 180651. Application Date Apr. 3, 2018. Orbit.com. (Year: 2018).* <https://massageguns.com/products/massage-gun>. Massage Gun V1, earliest date on site Feb. 2, 2019, downloaded Dec. 31, 2019. <https://www.theragun.com/>. Theragun massager. No date found on site, downloaded Dec. 31, 2019.

* cited by examiner

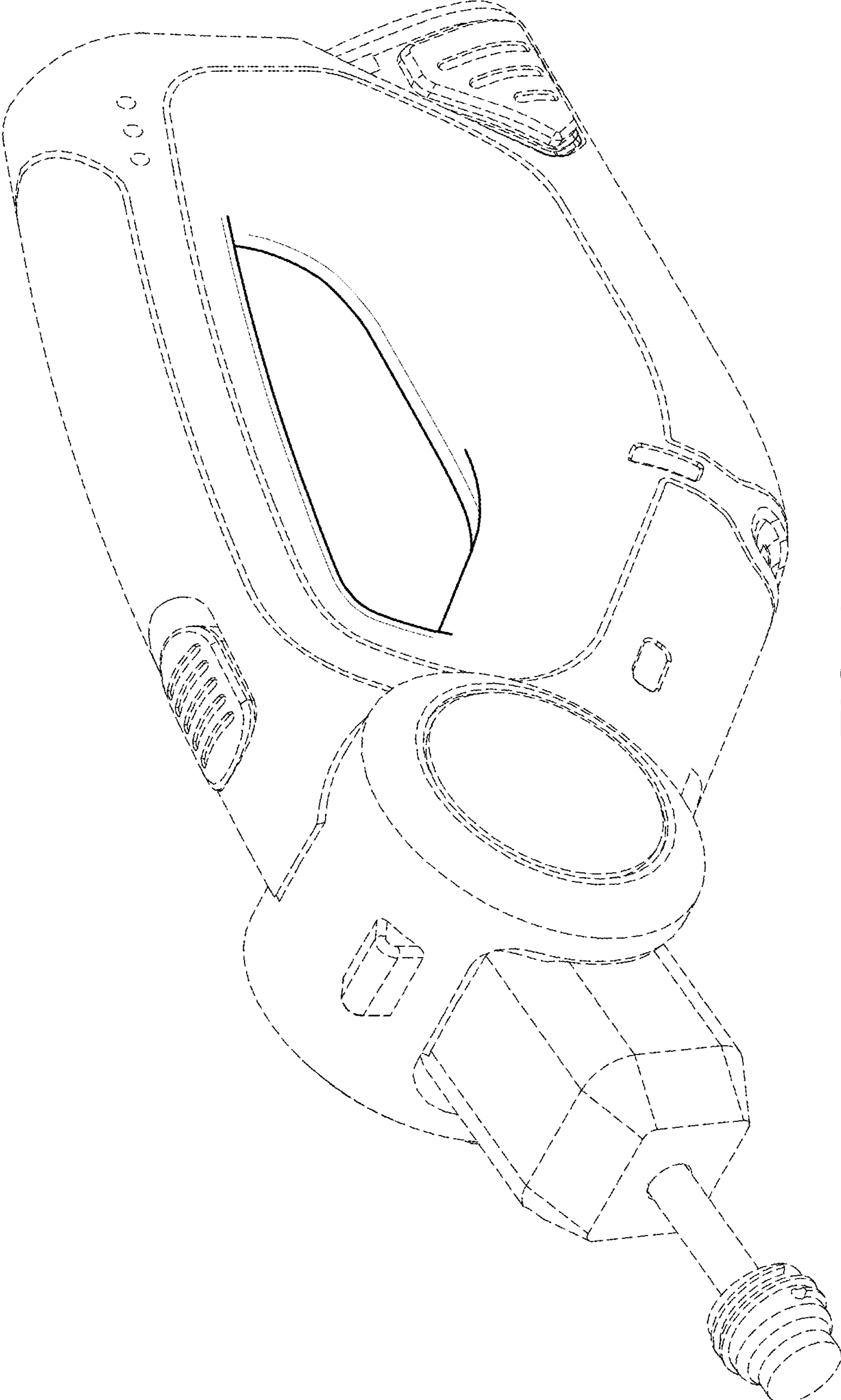


FIG. 1

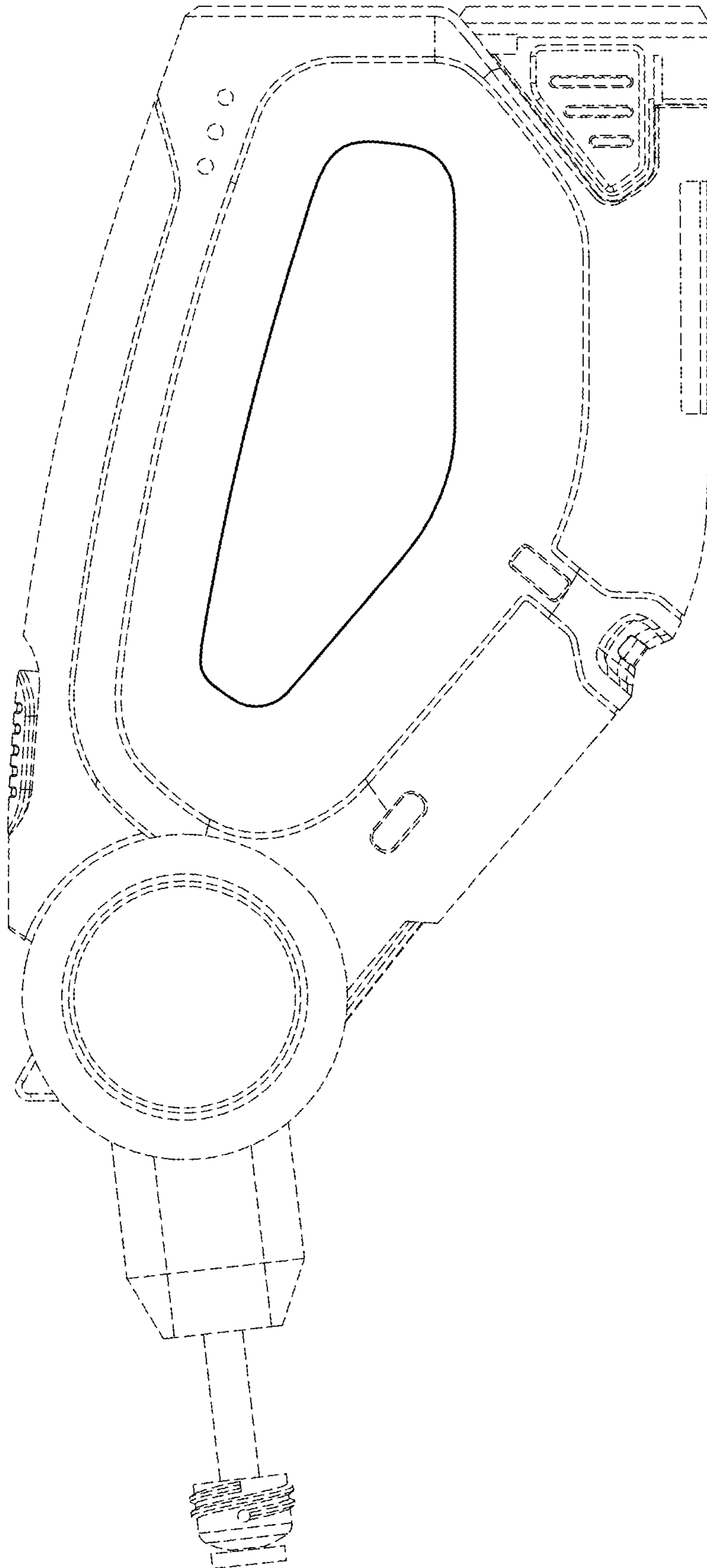


FIG. 2

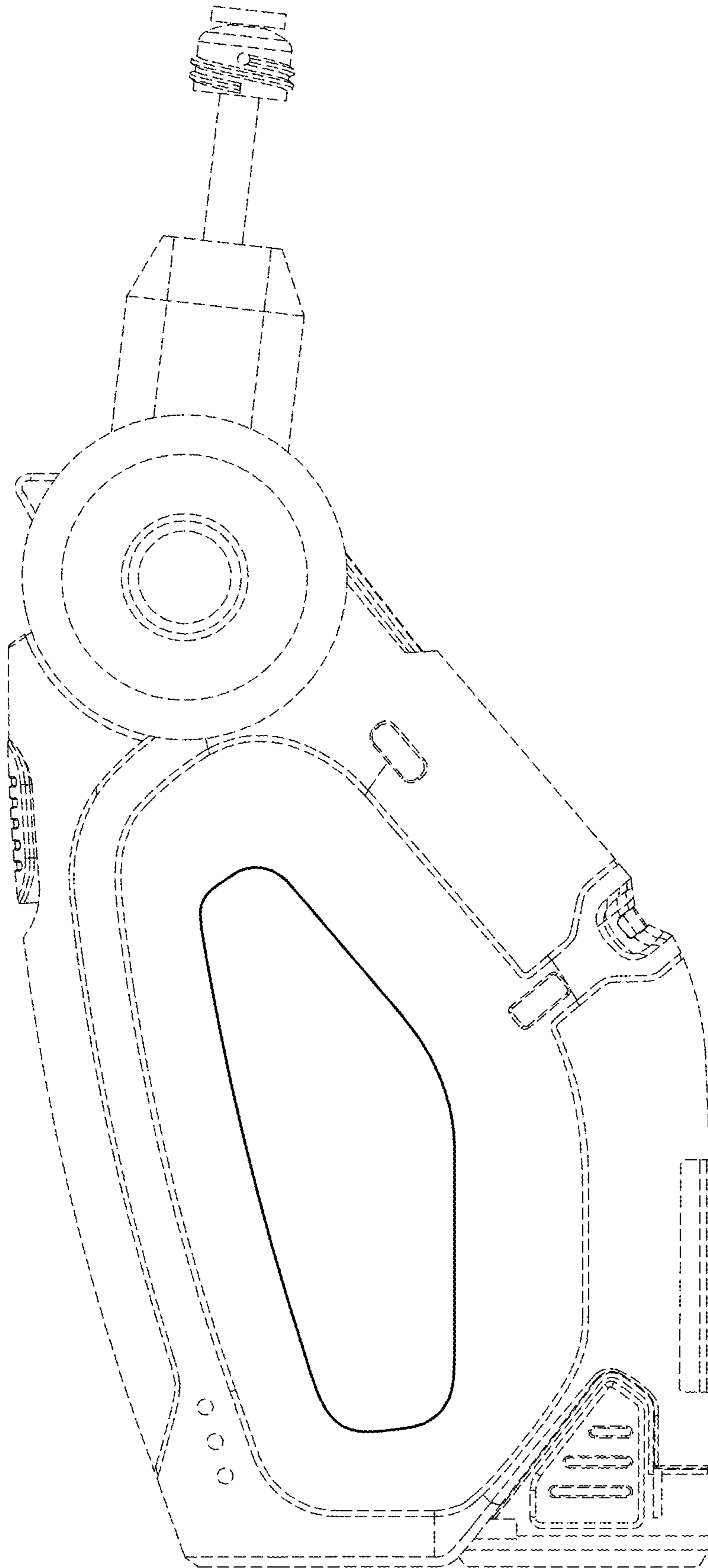


FIG. 3

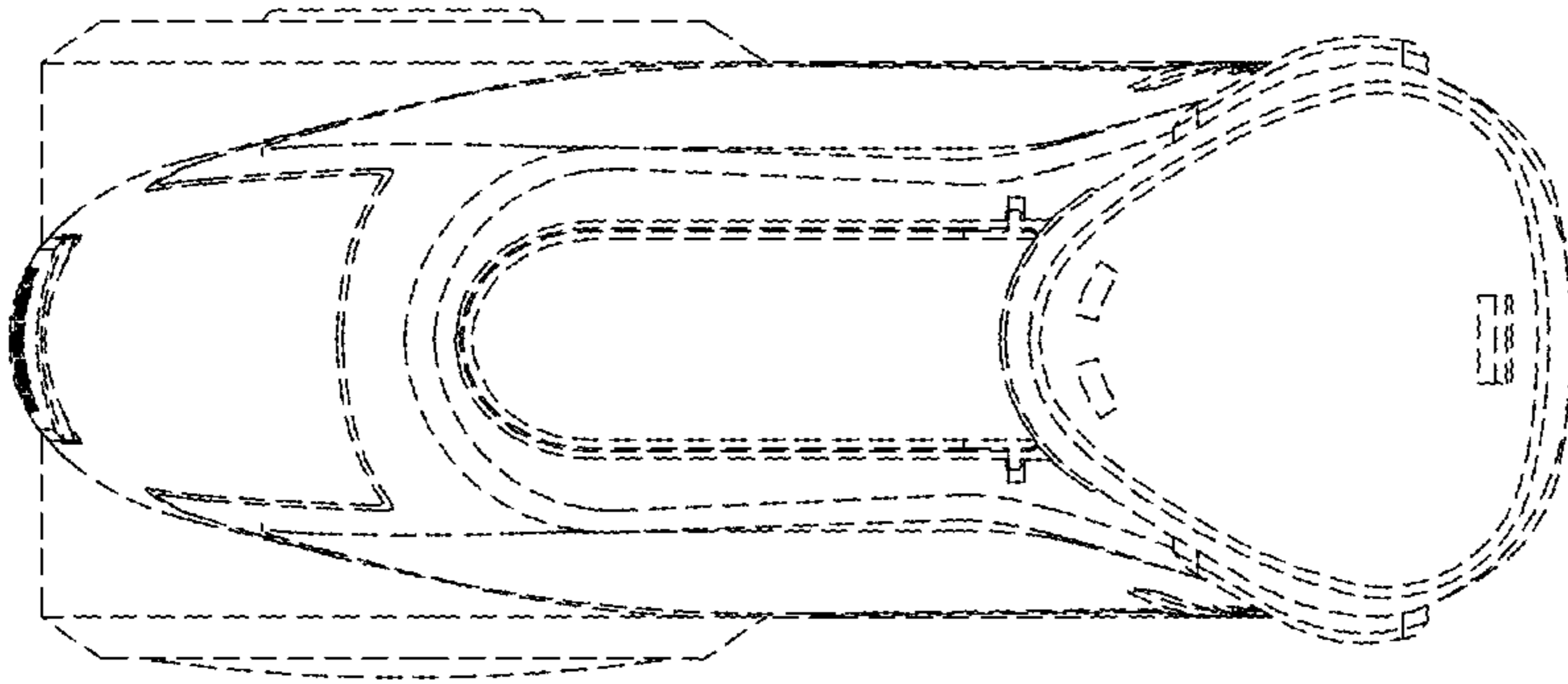


FIG. 4

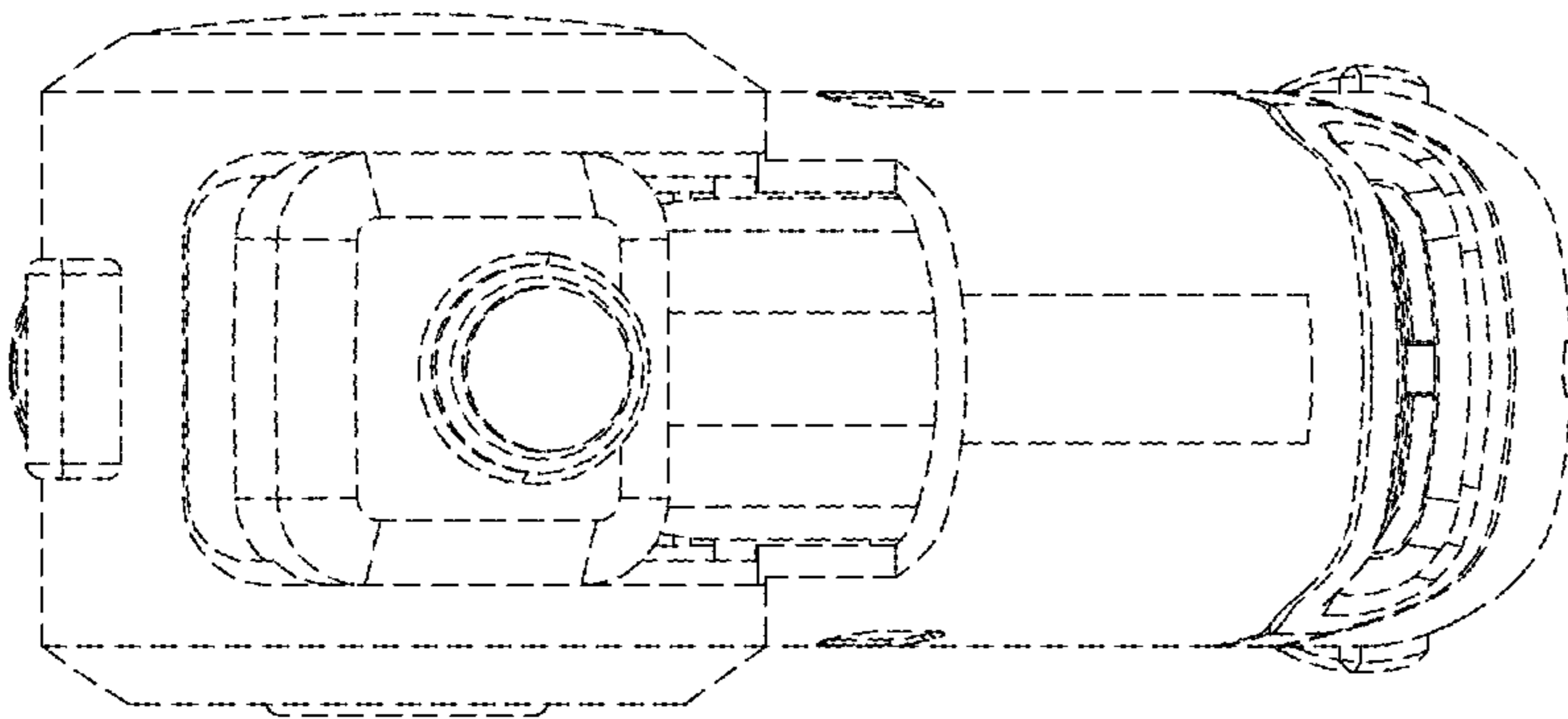


FIG. 5

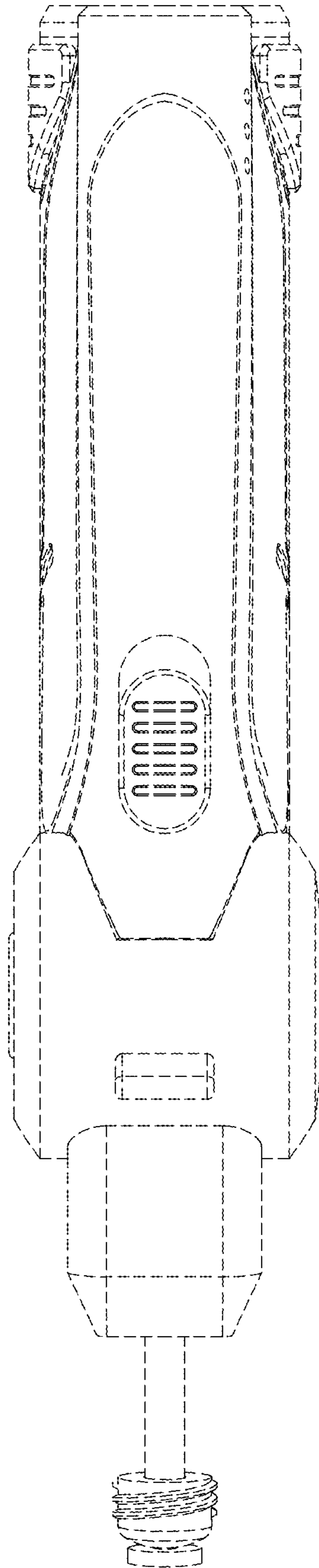


FIG. 6

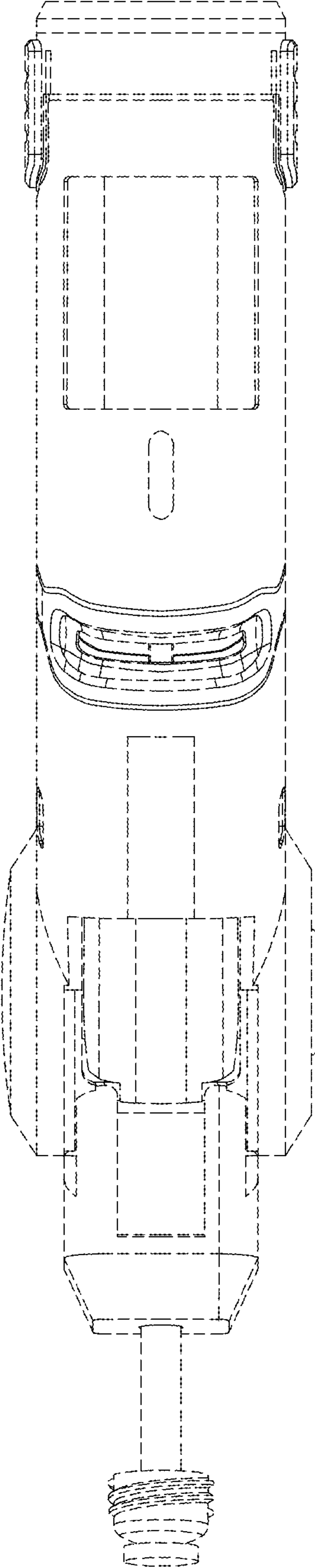


FIG. 7