



US00D955594S

(12) **United States Design Patent**
Yang

(10) **Patent No.:** **US D955,594 S**

(45) **Date of Patent:** **** Jun. 21, 2022**

- (54) **MESSAGE HALF BALL**
- (71) Applicant: **Yiwu Zhongai Sports Goods Co., Ltd., Yiwu (CN)**
- (72) Inventor: **Tongshu Yang, Yiwu (CN)**
- (73) Assignee: **Yiwu Zhongai Sports Goods Co., Ltd., Yiwu (CN)**

D891,544 S *	7/2020	O'Brien	D21/694
D896,393 S *	9/2020	Wersland	D24/211
D897,458 S *	9/2020	Hwang	D21/662
D906,528 S *	12/2020	Qiao	D24/211
D918,404 S *	5/2021	Wersland	D24/211
D925,720 S *	7/2021	Lee	D23/366
D926,268 S *	7/2021	Xu	D21/662
D930,921 S *	9/2021	Axelrod	D30/160

(**) Term: **15 Years**

(21) Appl. No.: **29/809,744**

(22) Filed: **Sep. 29, 2021**

(51) **LOC (13) Cl.** **28-03**

(52) **U.S. Cl.**
USPC **D24/211**

(58) **Field of Classification Search**
USPC D24/200, 211, 213, 214, 215; D32/29.1;
D21/662, 680, 707, 712, 713; D30/160
CPC A61H 15/0092; A61H 15/00; A61H
2201/169; A61H 39/04; A61H 7/007
See application file for complete search history.

(56) **References Cited**

U.S. PATENT DOCUMENTS

D264,364 S *	5/1982	Pazurek	D21/713
D546,508 S *	7/2007	Robertson	119/51.03
D546,907 S *	7/2007	Dykgraaf	D21/662
D622,001 S *	8/2010	Zabala	D28/18
D694,421 S	11/2013	Anderson	
D819,824 S *	6/2018	Moehlenbrock	D24/211
D823,951 S *	7/2018	Marton	D21/662
D827,845 S	9/2018	Phillips	
D860,469 S *	9/2019	Wattu	D24/211
D869,785 S *	12/2019	Sporn	D30/160
D872,384 S *	1/2020	Crane	D30/160
D888,350 S *	6/2020	Wolfe, Jr.	D30/160

FOREIGN PATENT DOCUMENTS

CN 306499050 S 4/2021

* cited by examiner

Primary Examiner — Michael A Maharajh

(74) *Attorney, Agent, or Firm* — ScienBiziP, P.C.

(57) **CLAIM**

The ornamental design for a massage half ball, as shown and described.

DESCRIPTION

FIG. 1 is a front, left and top perspective view of a massage half ball, showing my design.

FIG. 2 is a rear, right and bottom perspective view thereof.

FIG. 3 is a front elevation view thereof.

FIG. 4 is a rear elevation view thereof.

FIG. 5 is a left side elevation view thereof.

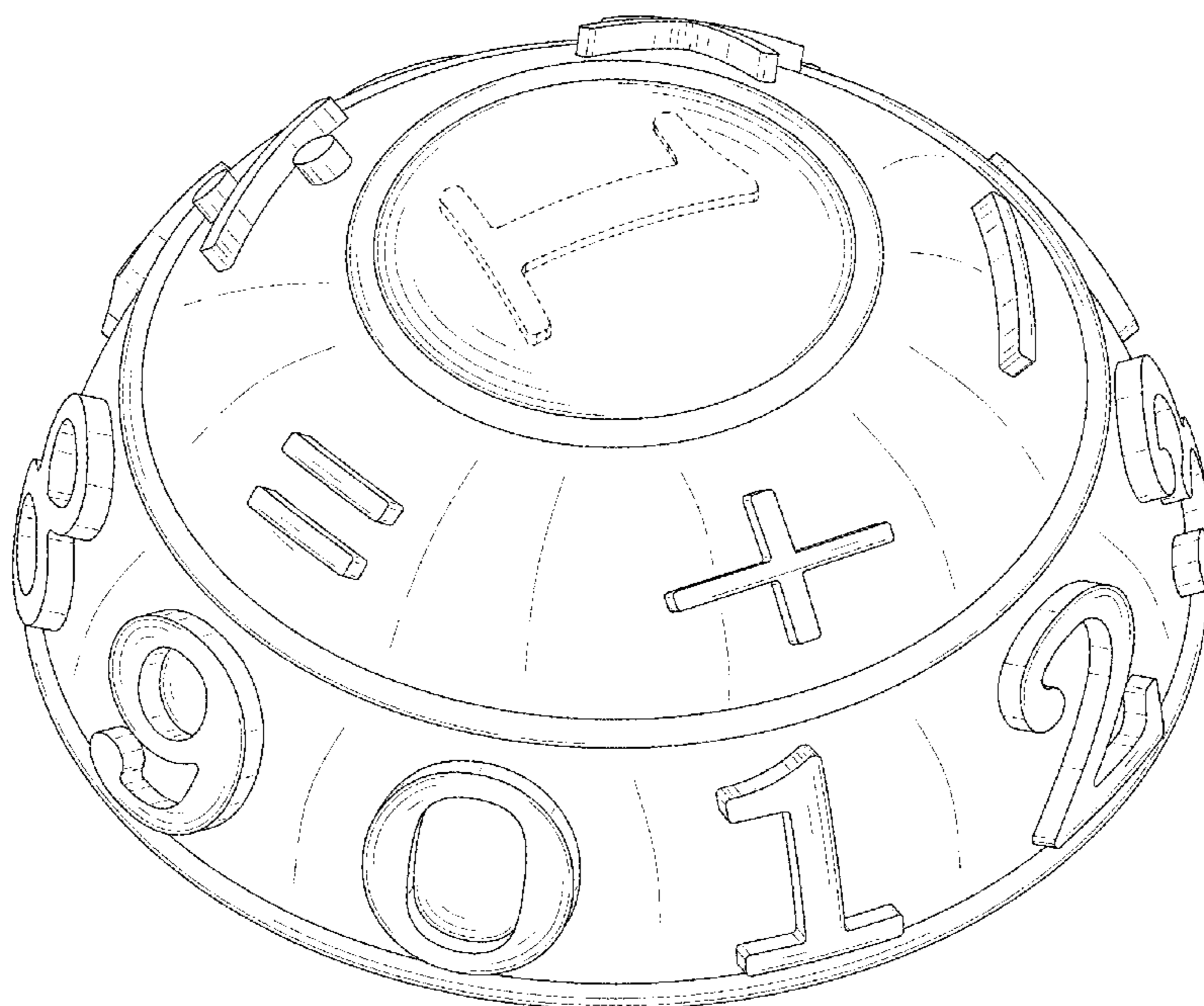
FIG. 6 is a right side elevation view thereof.

FIG. 7 is a top plan view thereof; and,

FIG. 8 is a bottom plan view thereof.

The broken lines shown in the drawings are included for the purpose of illustrating portions of the massage half ball that form no part of the claimed design.

1 Claim, 8 Drawing Sheets



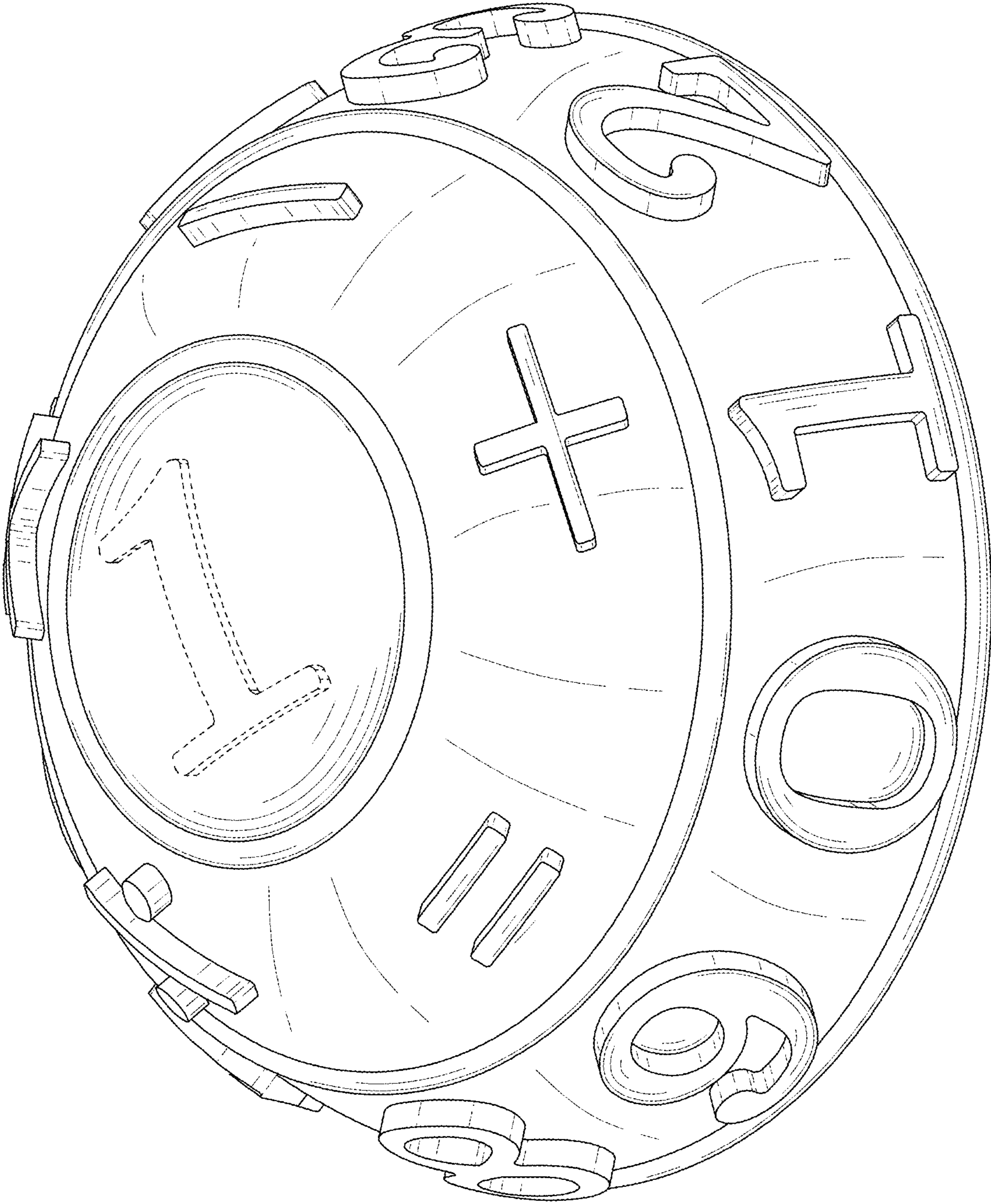


FIG. 1

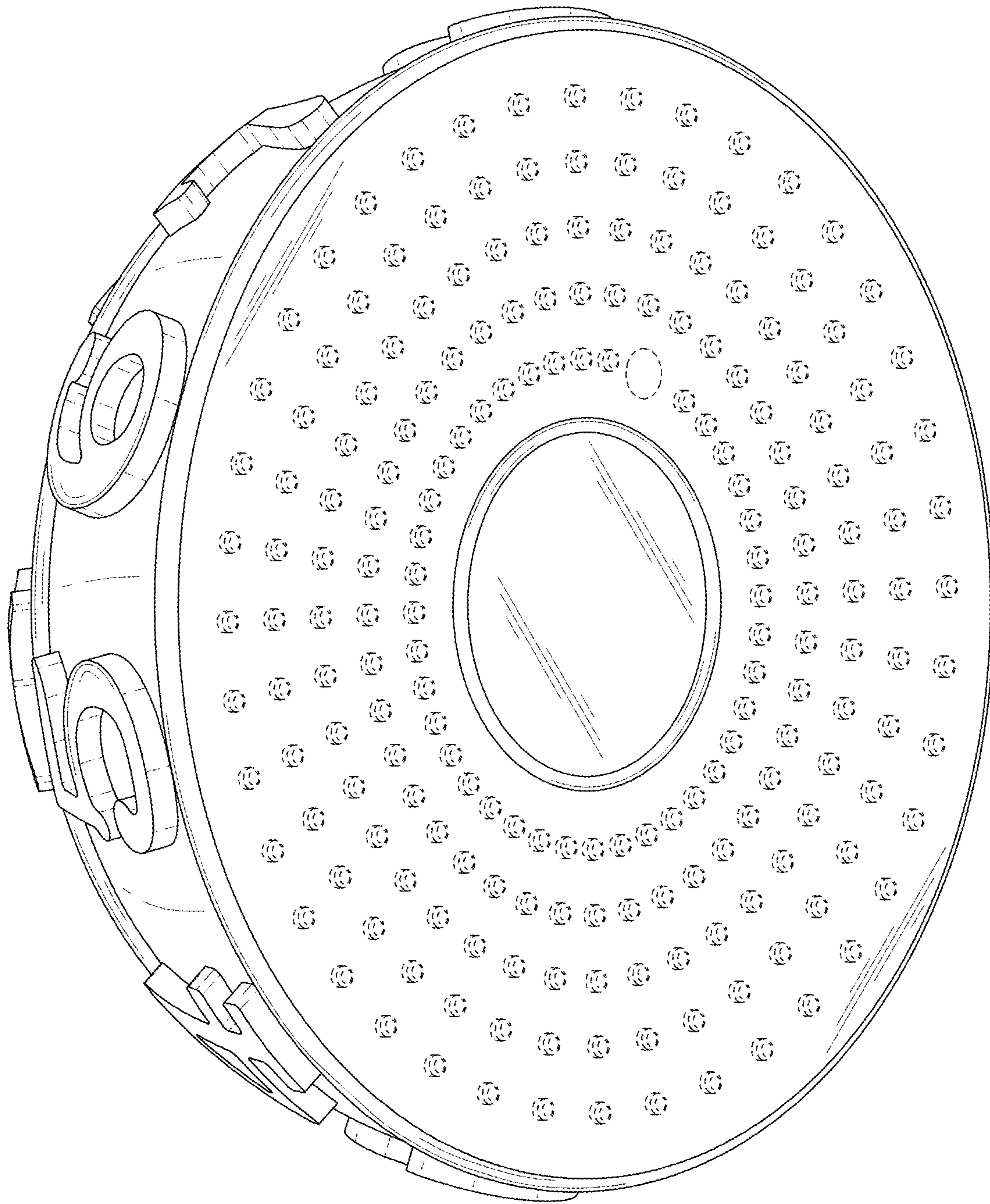


FIG. 2

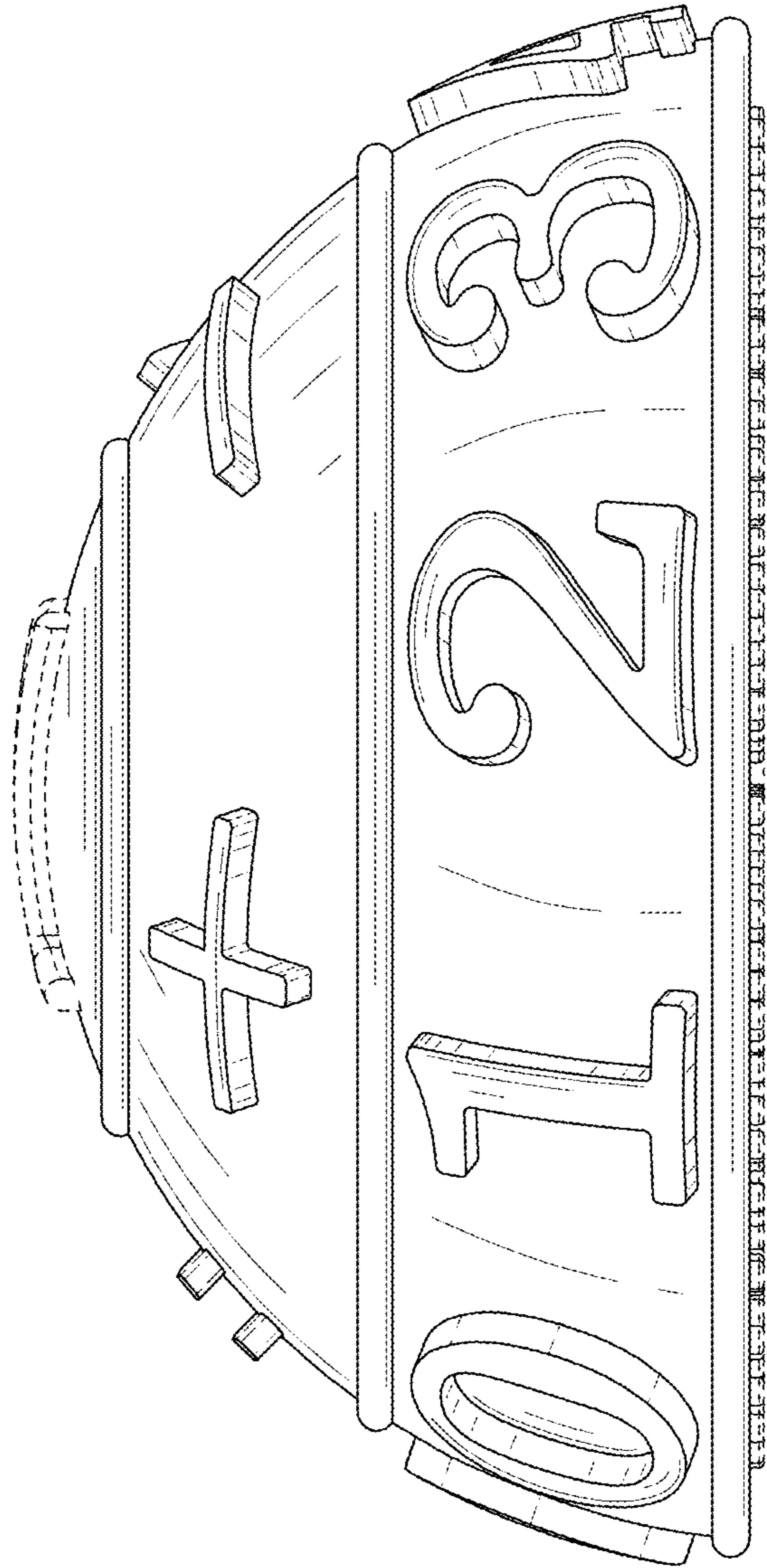


FIG. 3

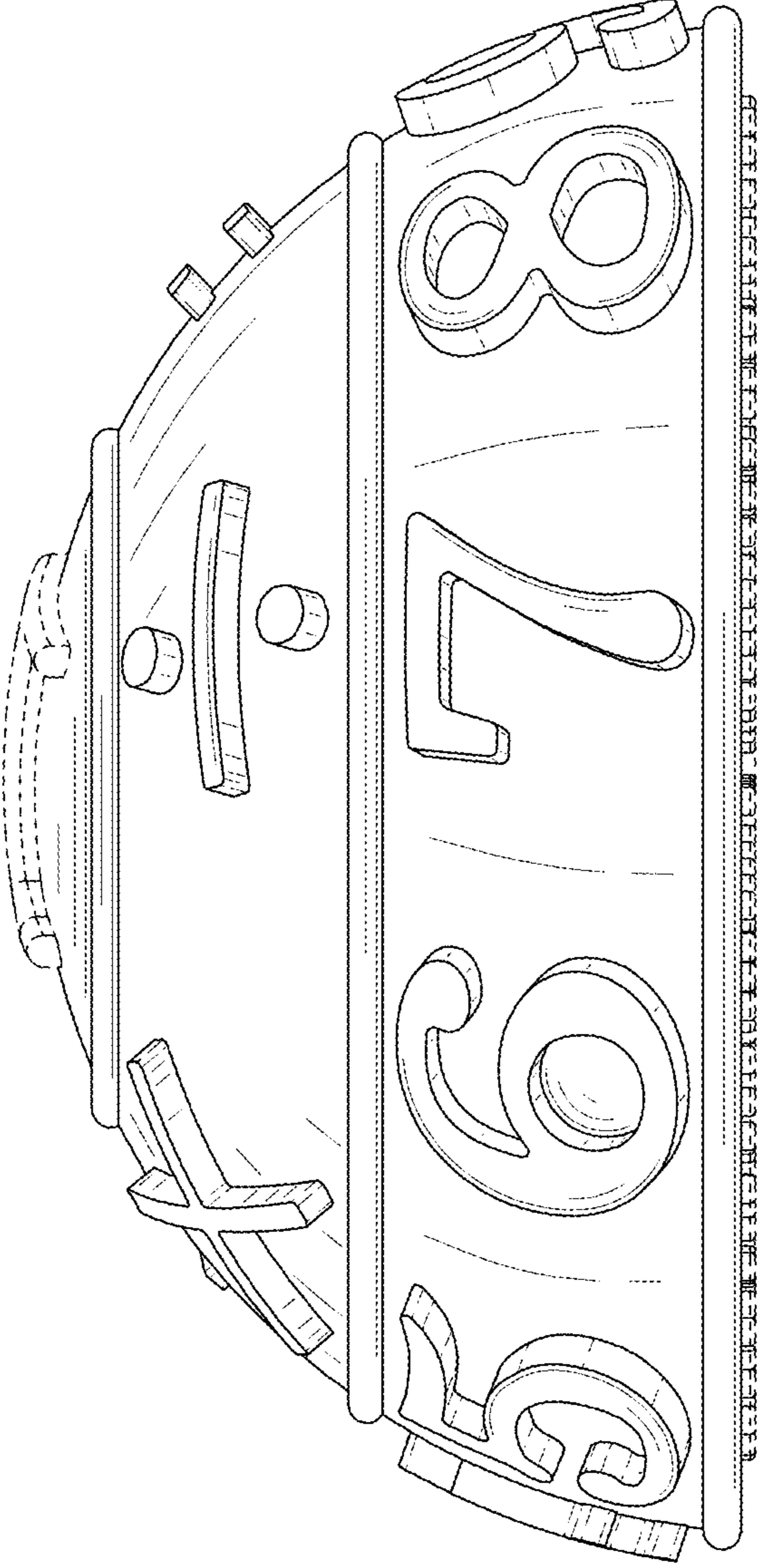


FIG. 4

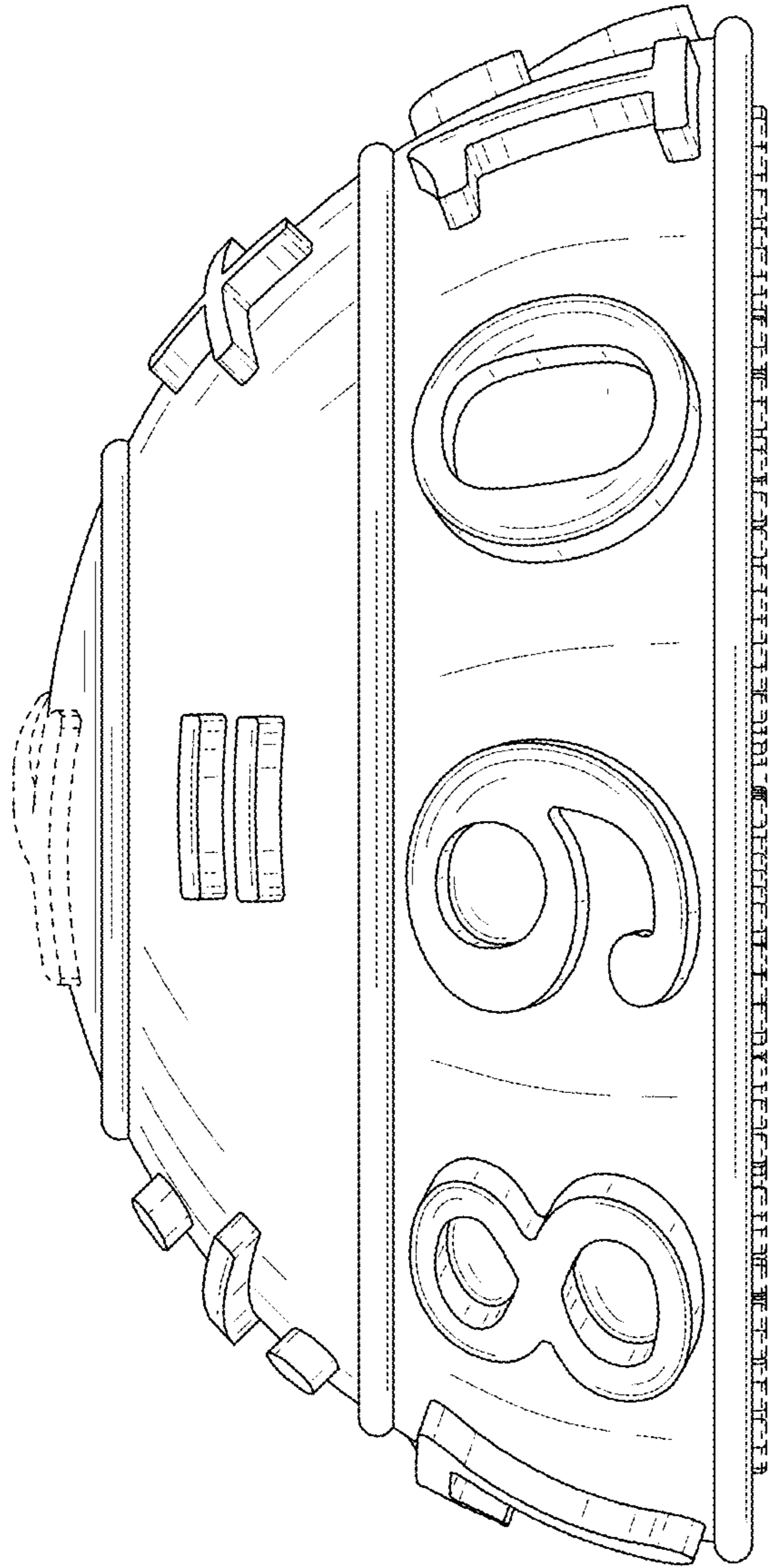


FIG. 5

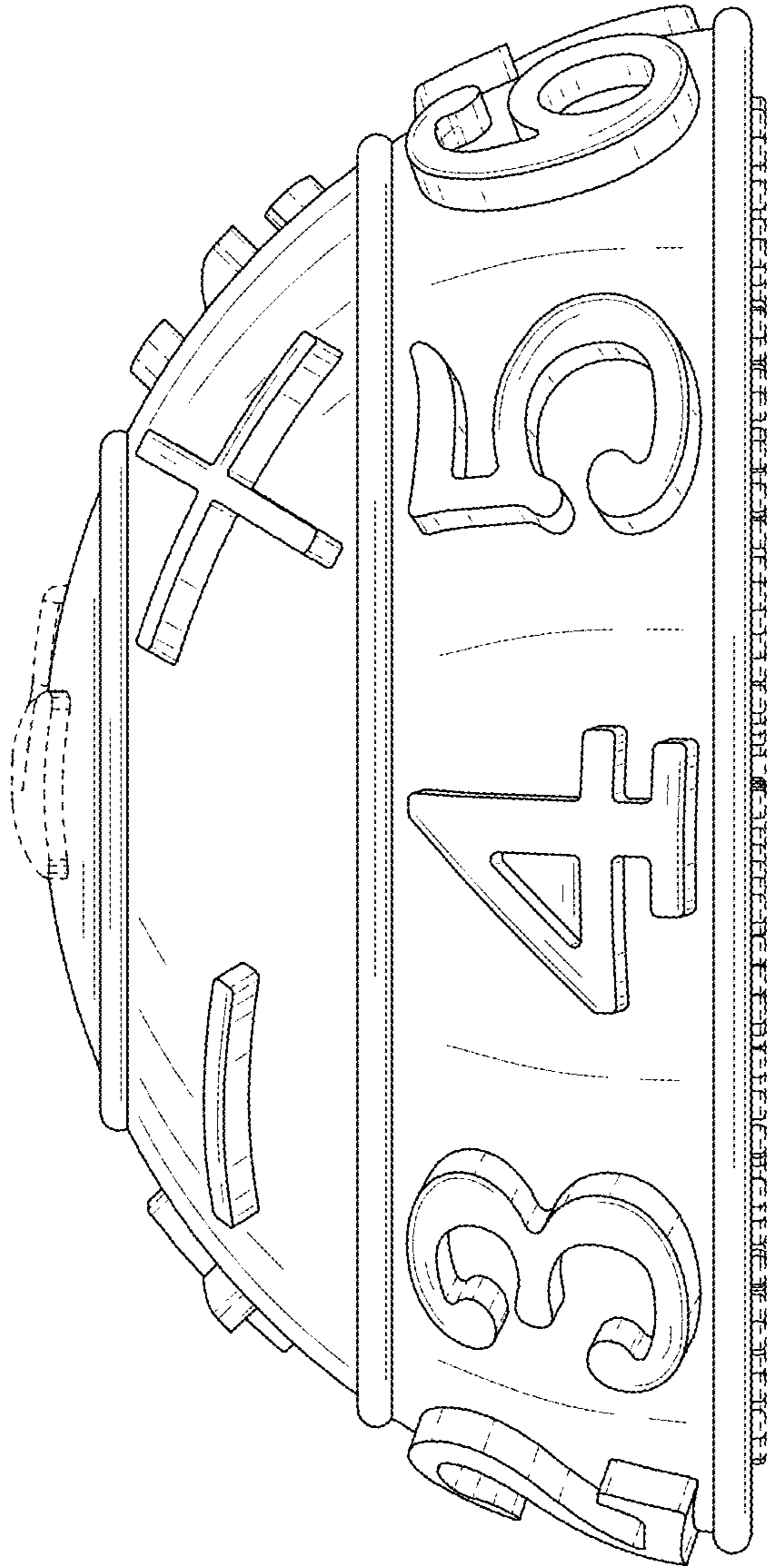


FIG. 6

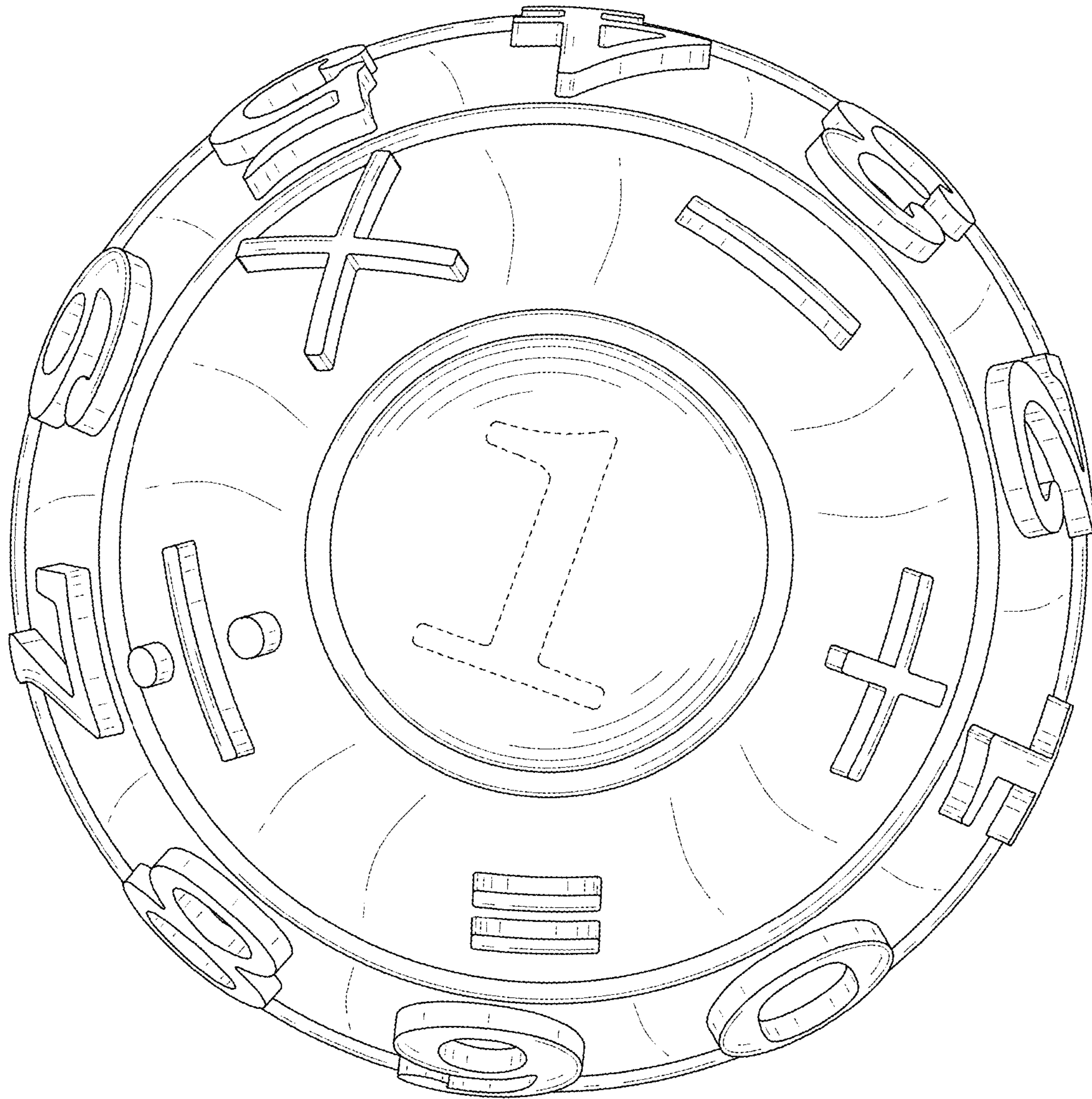


FIG. 7

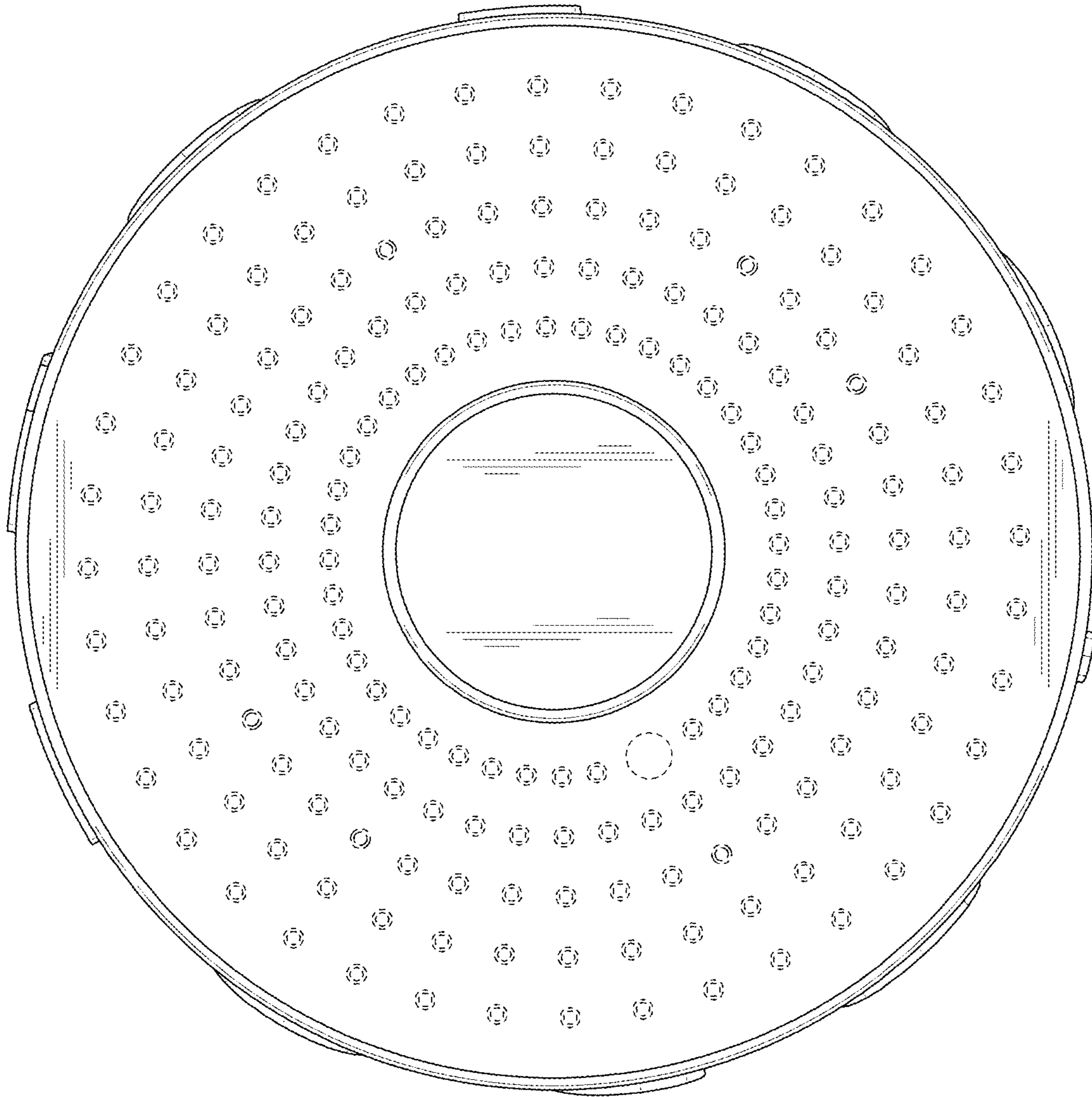


FIG. 8