



US00D955591S

(12) **United States Design Patent**
Jensen

(10) **Patent No.: US D955,591 S**

(45) **Date of Patent: ** Jun. 21, 2022**

(54) **PACIFIER**

(71) Applicant: **FB Family ApS**, Hinnerup (DK)

(72) Inventor: **Henrik Hjulmand Jensen**, Hinnerup (DK)

(73) Assignee: **FB Group ApS**, Hinnerup (DK)

(**) Term: **15 Years**

(21) Appl. No.: **29/760,447**

(22) Filed: **Dec. 1, 2020**

(51) **LOC (13) Cl.** **24-04**

(52) **U.S. Cl.**
USPC **D24/194**

(58) **Field of Classification Search**
USPC D24/115, 117, 193, 194, 195, 196, 214;
D30/160; D21/496, 576, 622, 625, 627,
D21/628, 650, 659
CPC A61J 17/001; A61J 17/02

See application file for complete search history.

(56) **References Cited**

U.S. PATENT DOCUMENTS

D273,991 S *	5/1984	Moore	D24/194
D306,073 S *	2/1990	Klitsner	D21/468
D312,312 S *	11/1990	Herritz	D24/194
D462,773 S *	9/2002	Viana	D24/195
D532,521 S *	11/2006	Struckmeier	D24/194
D602,299 S *	10/2009	Heroux	D6/601
8,834,525 B2 *	9/2014	Thornton	A61J 17/001
				606/234
D739,540 S *	9/2015	Almonte	D24/198
D826,413 S *	8/2018	Eaton	D24/194
D895,819 S *	9/2020	Douglas	D24/195
2018/0104159 A1 *	4/2018	Bredemeier	B29C 43/42
2019/0290548 A1 *	9/2019	Evans	A61J 17/02
2020/0093707 A1 *	3/2020	Ferrell	A61J 17/001

OTHER PUBLICATIONS

“Frigg: Daisy Silicone Pacifier”. Found online Aug. 20, 2021 at amazon.com. Reference dated Apr. 21, 2021. Retrieved from https://www.amazon.com/-/es/FRIGG-Daisy-silicona-fabricado-Dinamarca/dp/B0921K7VS8/ref=cm_cr_ar_p_d_product_top?ie=UTF8.*

“Bibs: Colour Soother Pacifier”. Found online Sep. 29, 2021 at amazon.co.uk. Reference dated Oct. 7, 2020. Retrieved from <https://www.amazon.co.uk/Colour-Soother-Cherry-Natural-Pacifier/dp/B07ZJHJ251/>.*

“DDLG: Custom Pacifer with Rose Flower Handle”. Found online Nov. 1, 2016 at etsy.com. Reference dated Oct. 13, 2015. Retrieved from <https://www.etsy.com/listing/251901544/ddlg-custom-pacifier-binky-dummy-pink>.*

“Sweetie: Natural Rubber Pacifier”. Found online Sep. 30, 2021 at amazon.com. Reference dated Jul. 17, 2018. Retrieved from <https://www.amazon.com/Sweetie-Pacifier-Natural-Rounded-Original/dp/B07C6P39XB/>.*

* cited by examiner

Primary Examiner — Kendra Leslie Hamilton

(74) *Attorney, Agent, or Firm* — Elevated IP, LLC

(57) **CLAIM**

The ornamental design for a pacifier, as shown and described.

DESCRIPTION

FIG. 1 is a top, right, rear perspective view of a pacifier, showing my new design;

FIG. 2 is a right side elevation view thereof;

FIG. 3 is a front elevation view thereof;

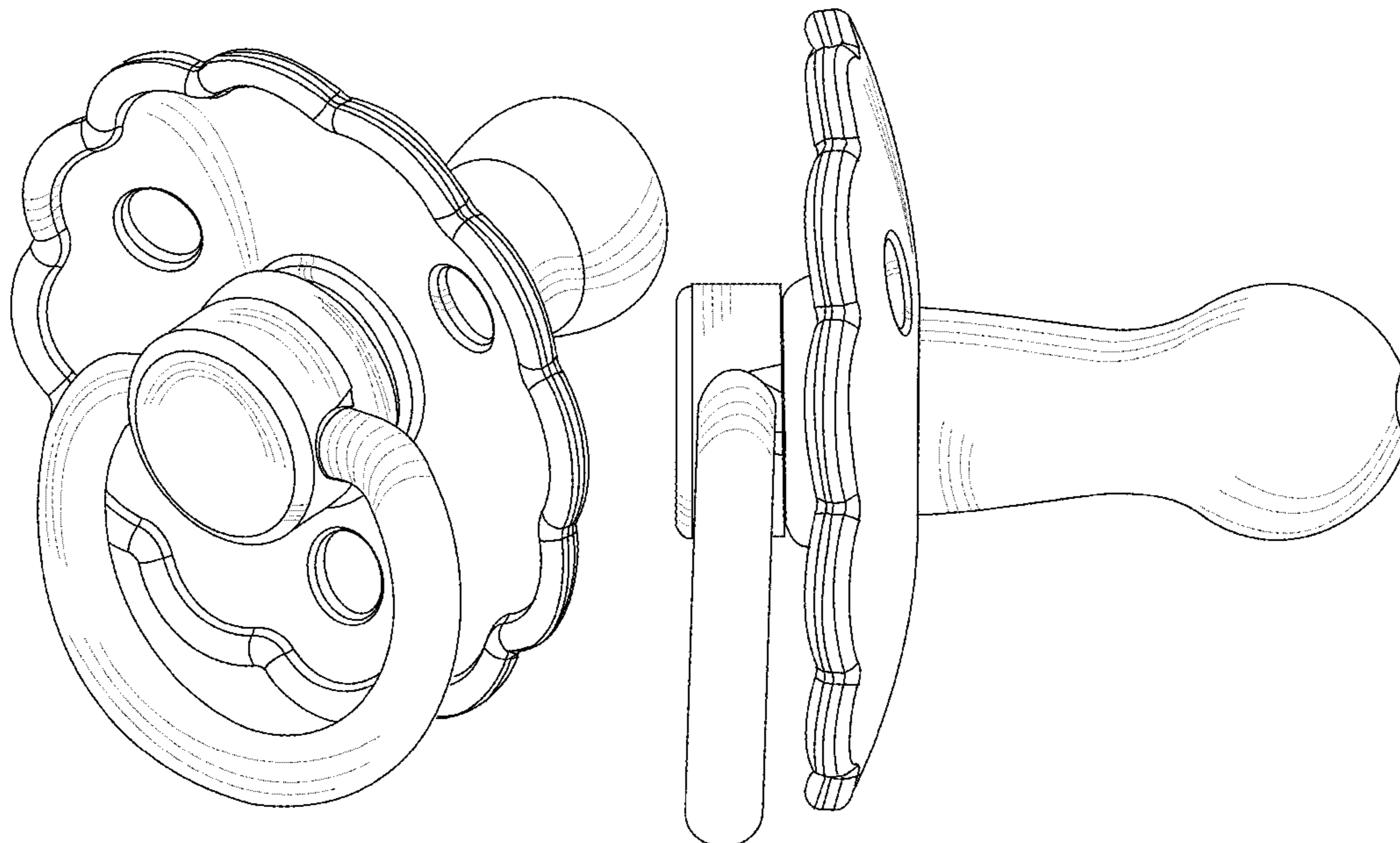
FIG. 4 is a bottom plan view thereof;

FIG. 5 is a top plan view thereof;

FIG. 6 is a rear elevation view thereof; and,

FIG. 7 is a left side elevation view thereof.

1 Claim, 7 Drawing Sheets



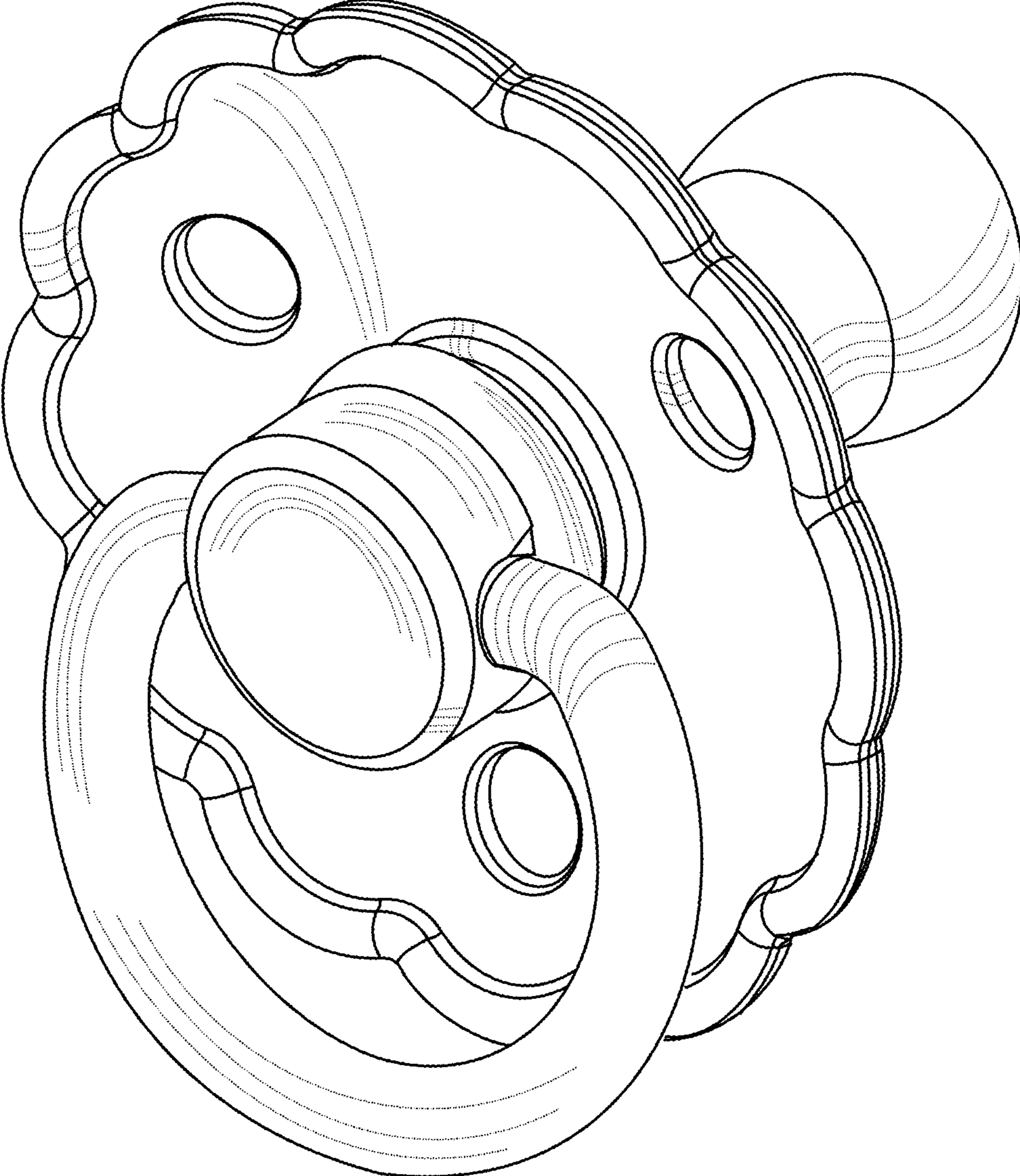


FIG. 1

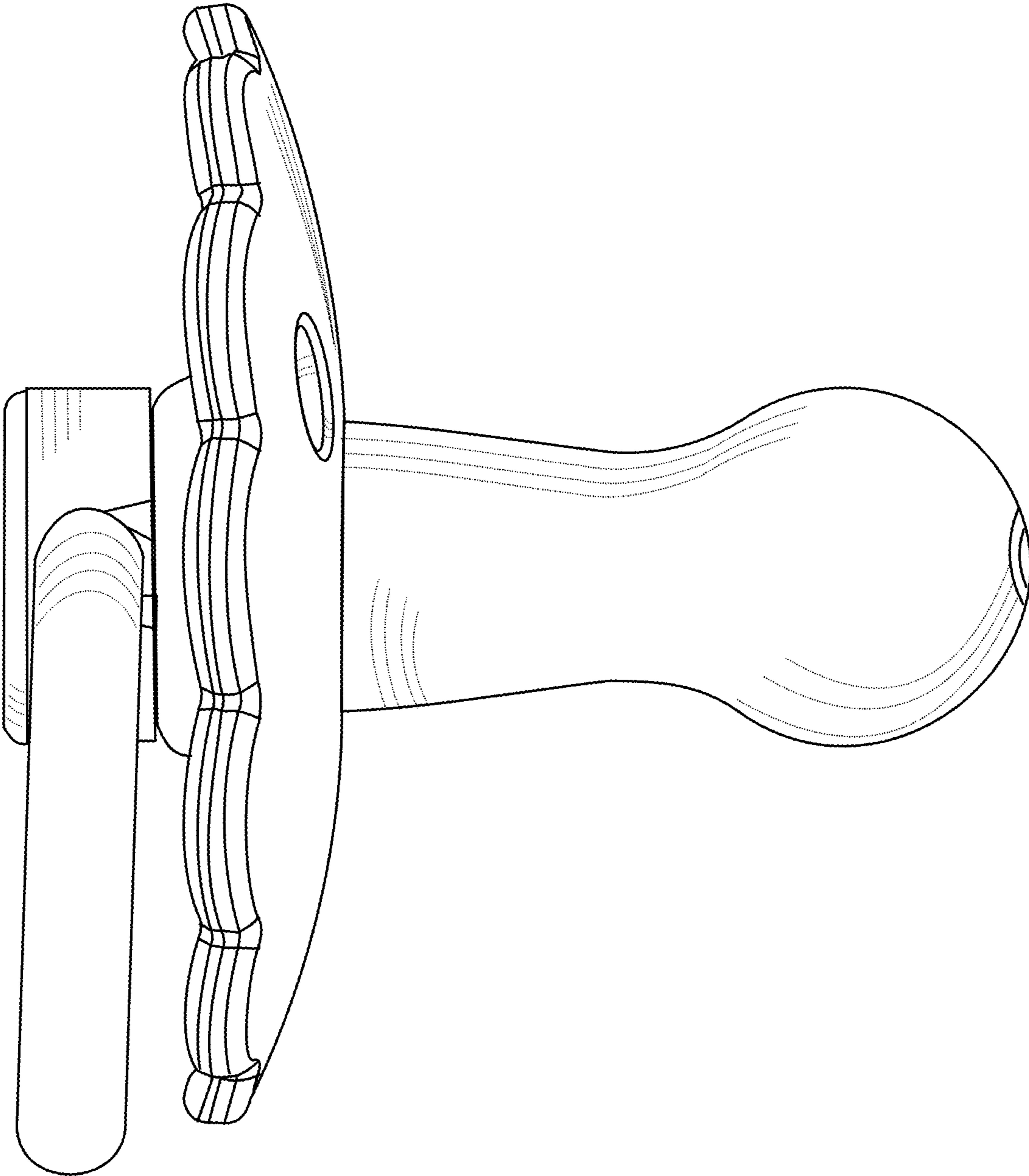


FIG. 2

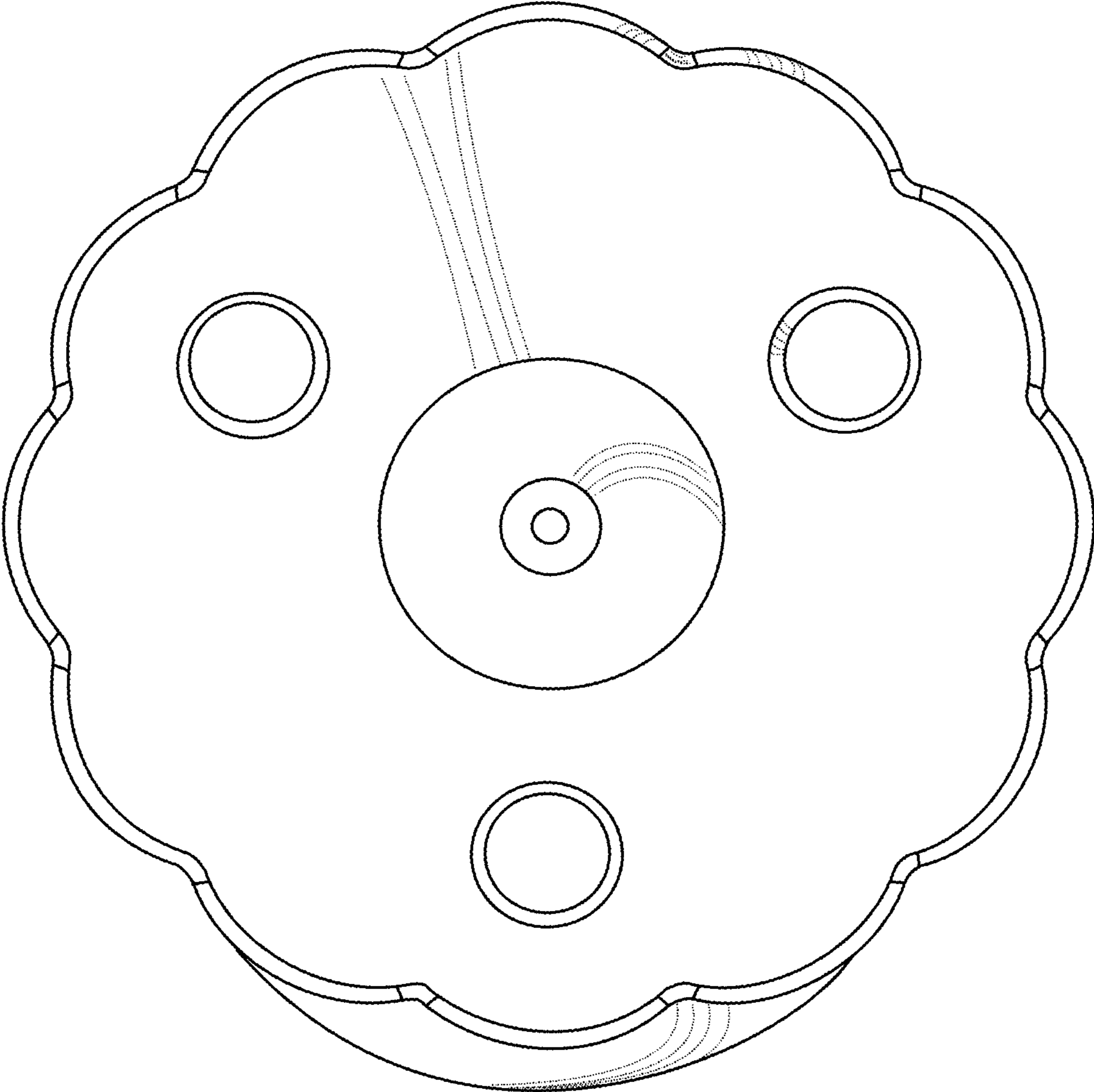


FIG. 3

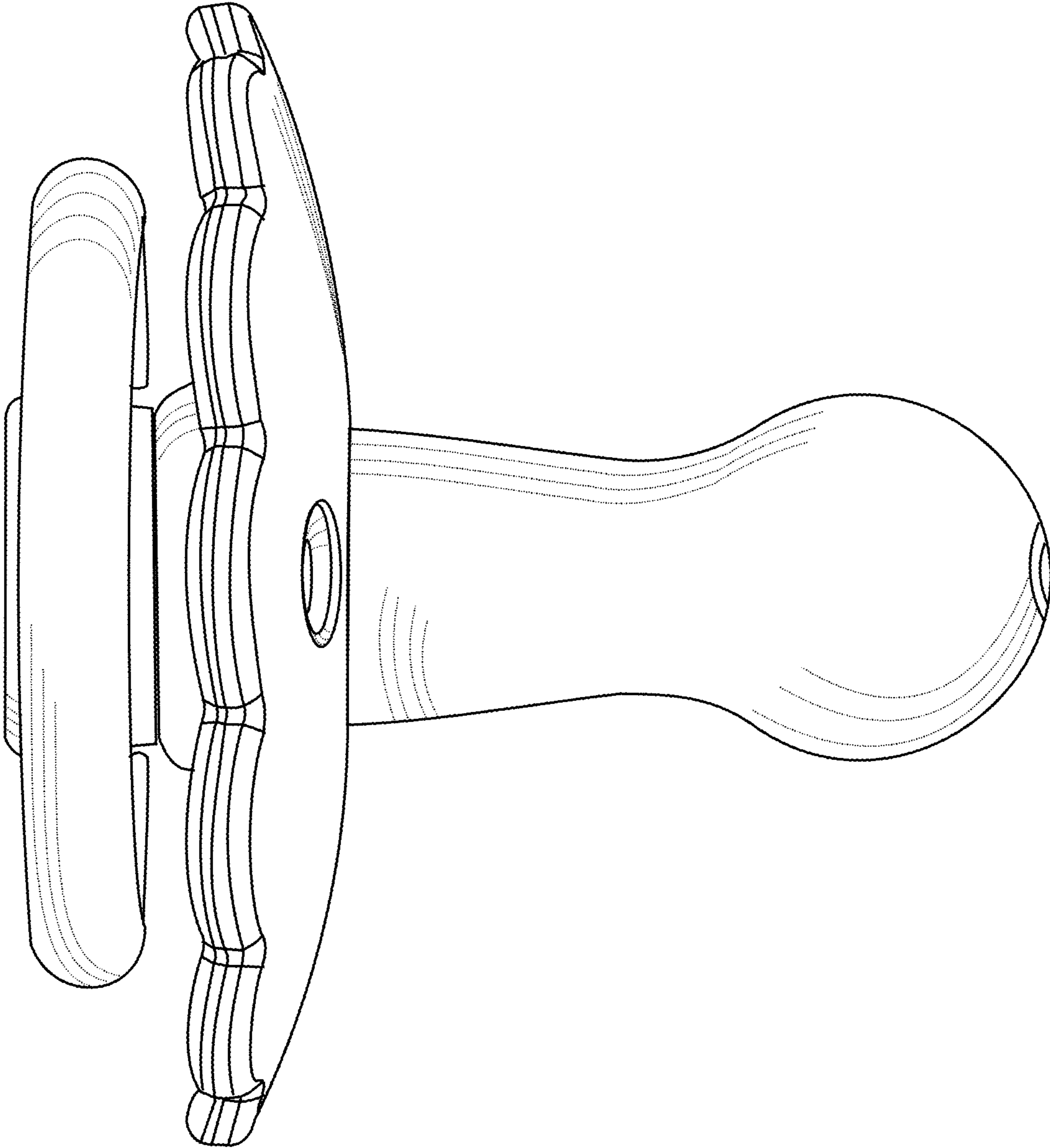


FIG. 4

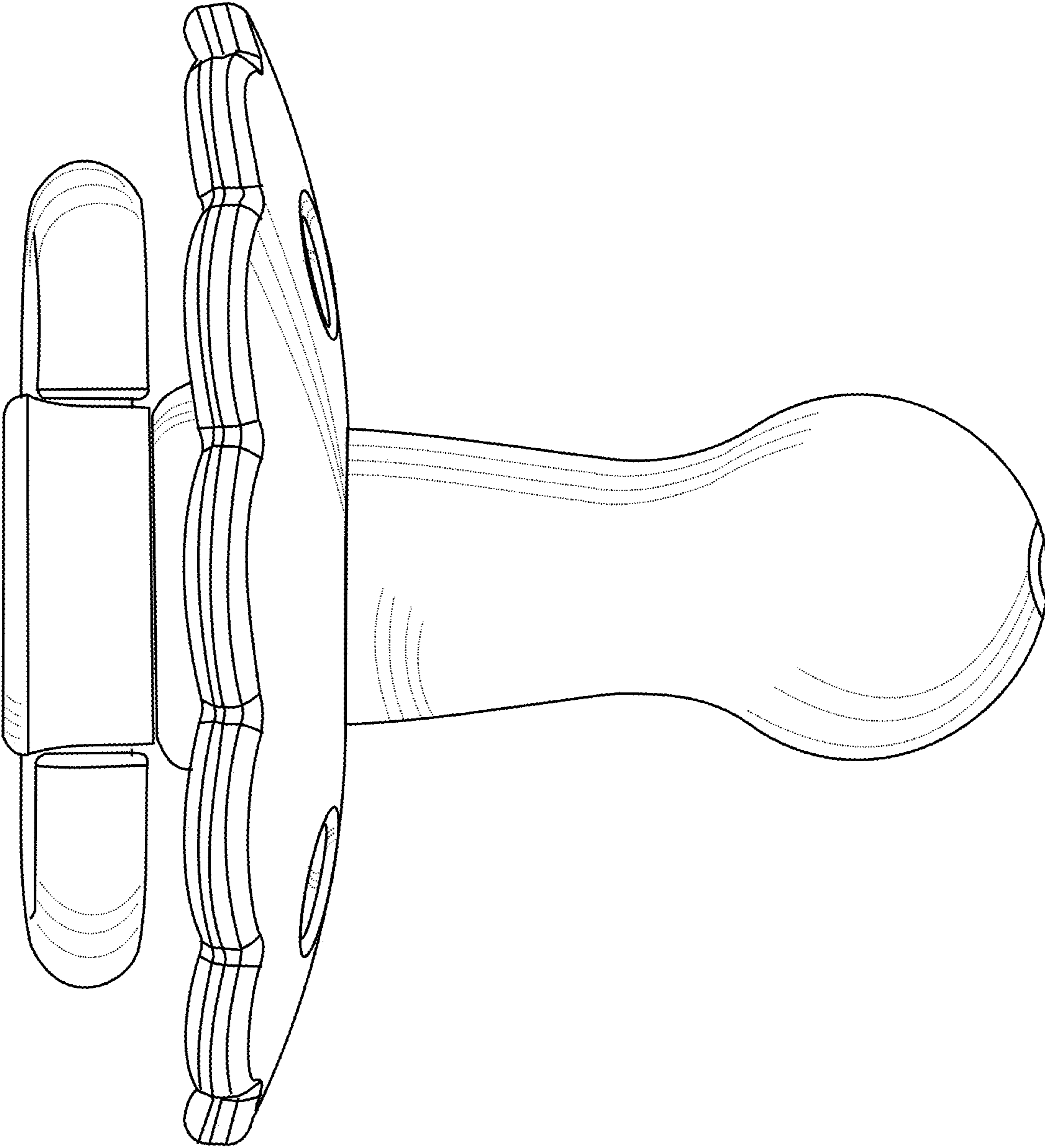


FIG. 5

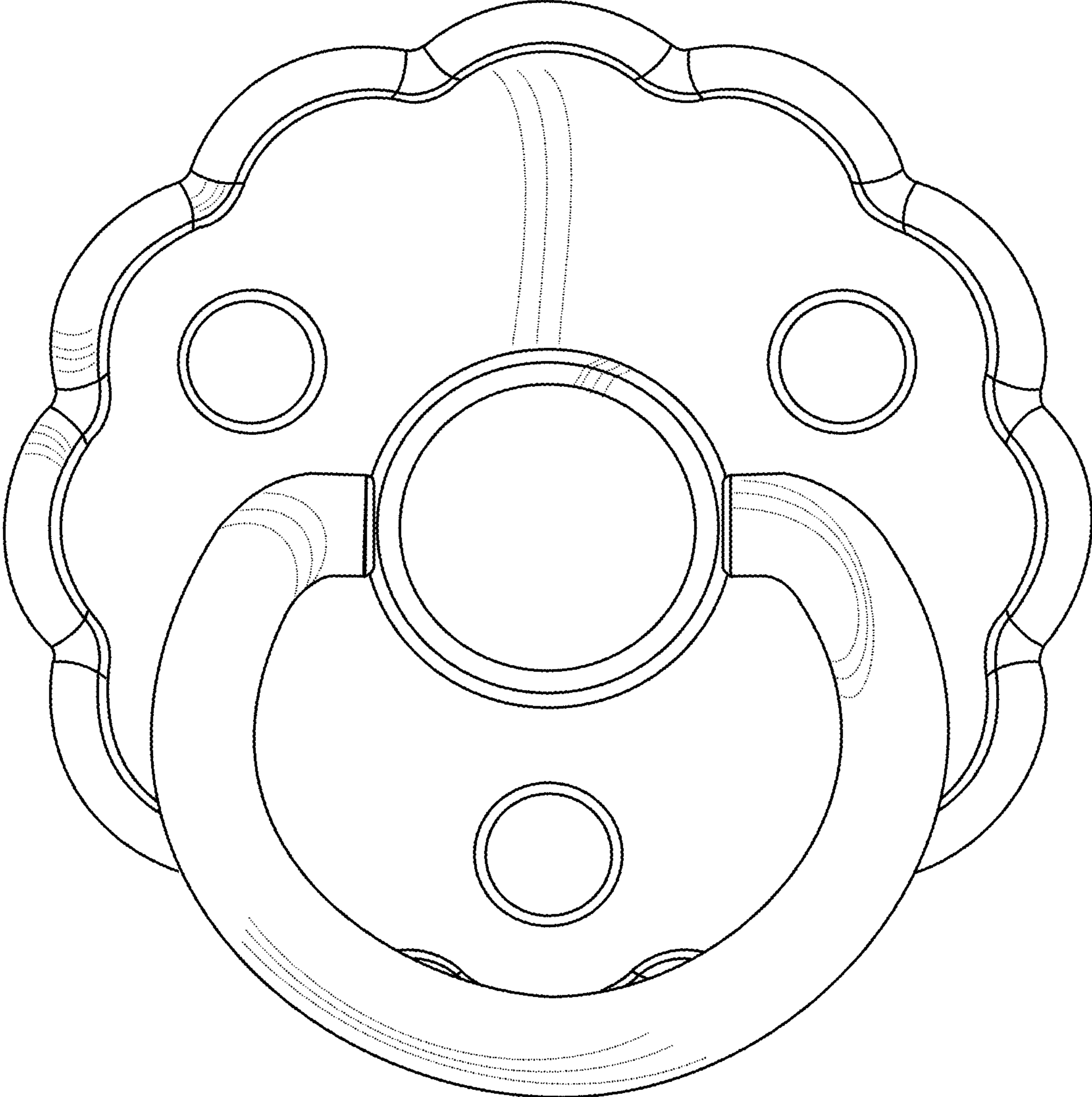


FIG. 6

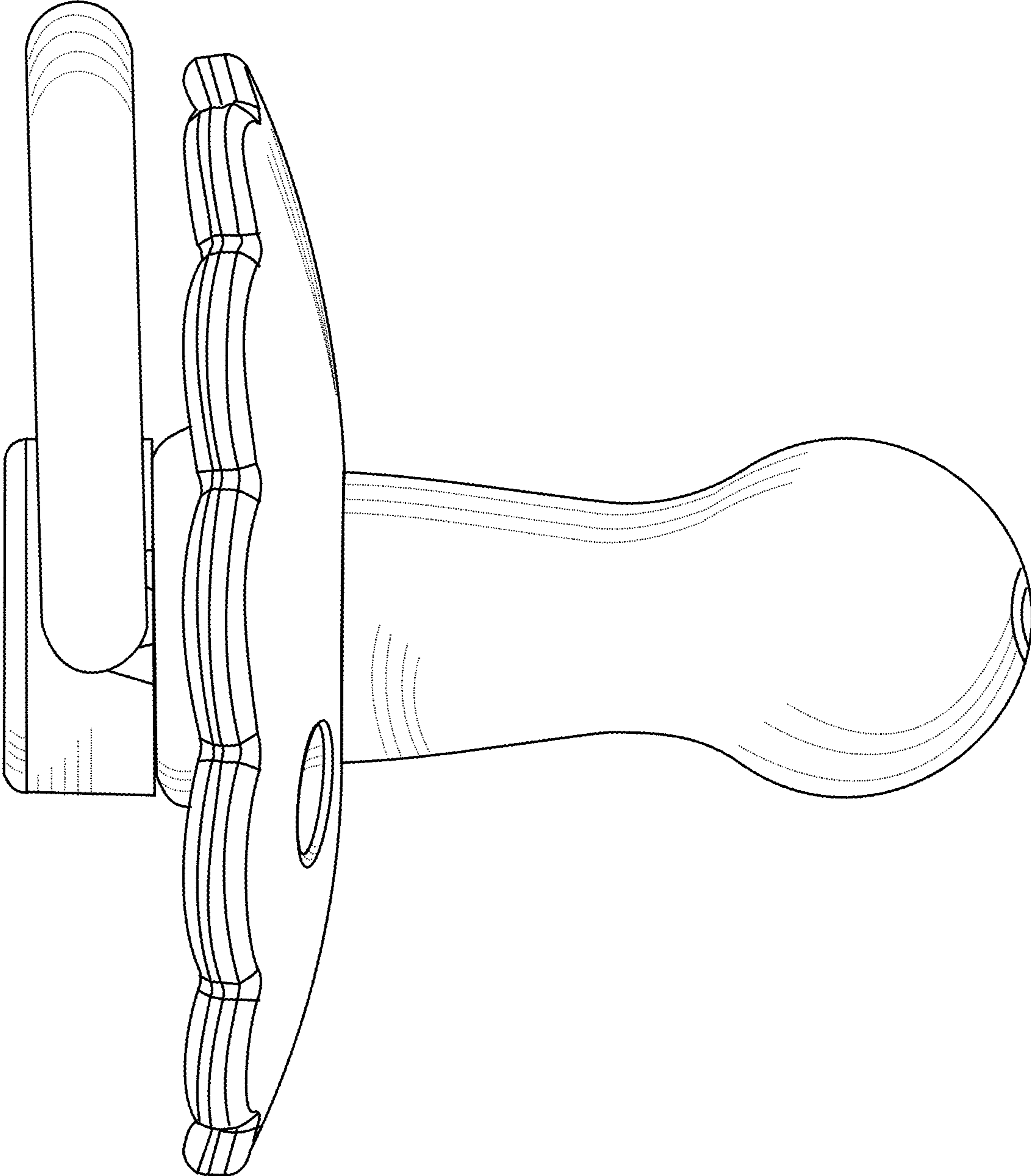


FIG. 7