



US00D955585S

(12) **United States Design Patent** (10) **Patent No.:** **US D955,585 S**  
**Moenter et al.** (45) **Date of Patent:** **\*\* Jun. 21, 2022**

(54) **HANDLE**

(71) Applicant: **Liko Research & Development AB**,  
Luleå (SE)

(72) Inventors: **Jonathan K. Moenter**, Batesville, IN  
(US); **Todd P. O’Neal**, Fairfield, OH  
(US); **Jonathan D. Turner**, Dillsboro,  
IN (US)

(73) Assignee: **LIKO RESEARCH &  
DEVELOPMENT AB**, Lulea (SE)

(\*\*) Term: **15 Years**

(21) Appl. No.: **29/744,519**

(22) Filed: **Jul. 29, 2020**

(51) **LOC (13) Cl.** ..... **24-02**

(52) **U.S. Cl.**  
USPC ..... **D24/184**; D3/203.1; D3/291

(58) **Field of Classification Search**  
USPC ..... D24/107, 169, 186, 216, 223–230;  
D9/345, 434, 455, 752, 753; D3/201,  
D3/203.1–203.8, 206, 273–274, 276,  
D3/281–282, 290–292, 294, 900–901,  
D3/903, 905; D7/602, 605, 629–630,  
D7/709; D8/336, 338

CPC .... A45C 1/02; A45C 3/00; A45C 3/02; A45C  
2003/007; A45C 2200/00; A45C 2200/10;  
A45D 33/008; A45D 29/20

See application file for complete search history.

(56) **References Cited**

**U.S. PATENT DOCUMENTS**

D241,108 S \* 8/1976 Macha ..... D7/709  
D292,057 S \* 9/1987 Beal ..... D7/605  
D510,253 S \* 10/2005 Twomey ..... D8/326  
D627,968 S \* 11/2010 Brunner ..... D3/905  
D649,007 S \* 11/2011 Caffin ..... D8/323

D700,777 S \* 3/2014 Shitrit ..... D3/905  
D718,051 S \* 11/2014 Frahm ..... D3/905  
D768,461 S \* 10/2016 Mirick ..... D8/323  
D788,461 S \* 6/2017 Tonelli ..... D3/905  
D800,339 S \* 10/2017 Kittier ..... D24/231  
D872,479 S \* 1/2020 Seibert ..... D3/905  
D873,014 S \* 1/2020 Shechtman ..... D3/905  
D888,424 S \* 6/2020 Huang ..... D3/901  
D901,986 S \* 11/2020 Meda ..... D7/605  
D937,560 S \* 12/2021 Lateef ..... D99/28  
D937,561 S \* 12/2021 Lateef ..... D3/203.1  
D937,562 S \* 12/2021 Lateef ..... D3/203.1  
D937,563 S \* 12/2021 Lateef ..... D3/291

**OTHER PUBLICATIONS**

Black Pvc Plastic Door Handles—Machine Sliding Handle. Online,  
published date unknown. Retrieved on Feb. 27, 2022 from URL:  
<https://www.indiamart.com/proddetail/plastic-door-handles-machine-sliding-handle-22641366030.html>.\*

(Continued)

*Primary Examiner* — Omeed Agilee

(74) *Attorney, Agent, or Firm* — Alston & Bird LLP

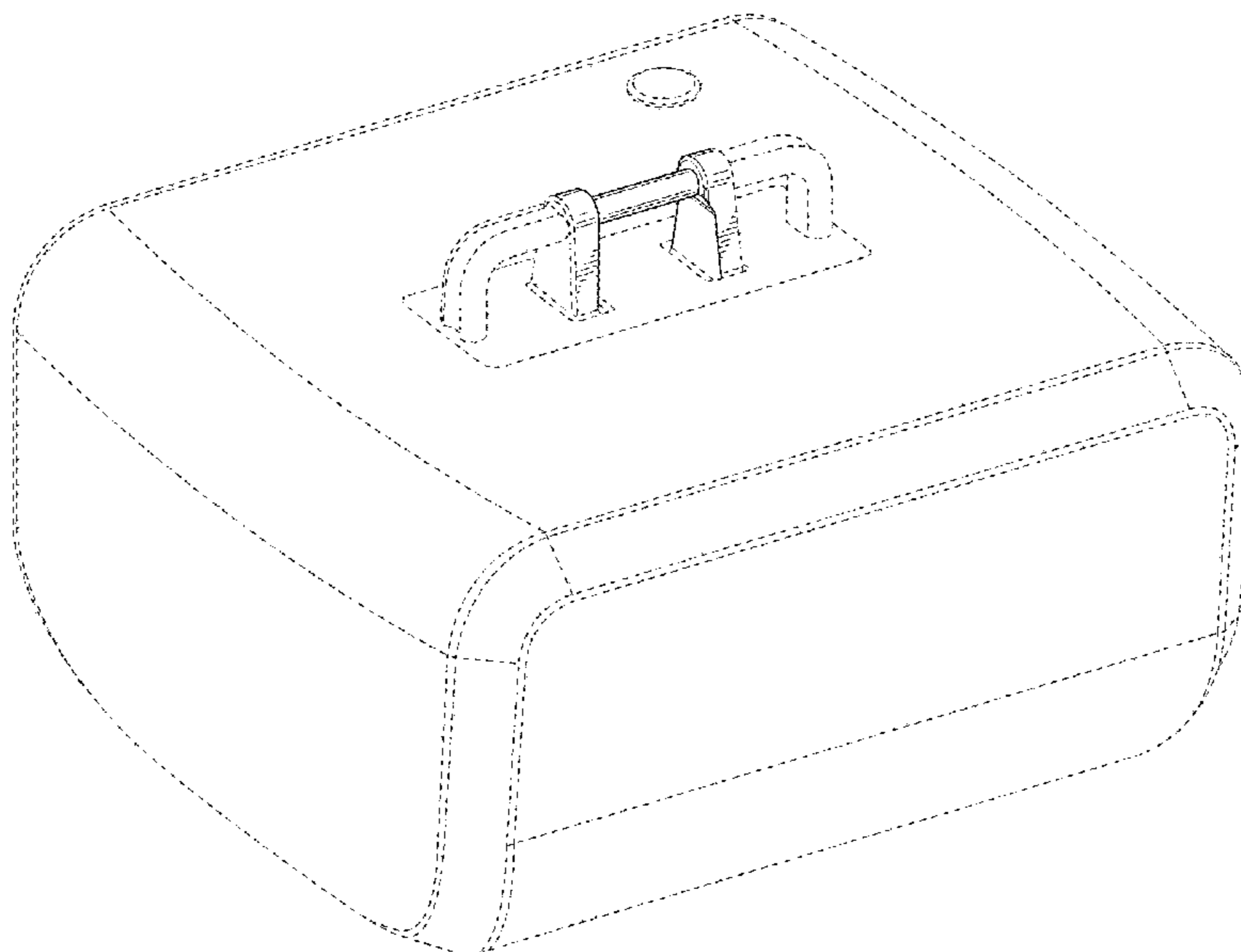
(57) **CLAIM**

We claim the ornamental design for a handle, as shown and  
described.

**DESCRIPTION**

FIG. 1 is a perspective view of a handle showing our new  
design;  
FIG. 2 is a left side elevation view thereof;  
FIG. 3 is a right side elevation view thereof;  
FIG. 4 is a front elevation view thereof;  
FIG. 5 is a rear elevation view thereof;  
FIG. 6 is a top plan view thereof; and,  
FIG. 7 is a bottom plan view thereof.  
The broken lines in the drawings depict portions of the  
handle that form no part of the claimed design.

**1 Claim, 7 Drawing Sheets**



(56)

**References Cited**

OTHER PUBLICATIONS

Multirall 200 Overhead Lift, Hillrom, retrieved from Internet Aug. 11, 2020 (1 page), <https://www.hill-rom.com/international/Products/Products-by-Category/patient-handling/overhead-patient-lifts/multirall-200-overhead-lift/>.

Multirall 200 Overhead Lift, Hillrom, retrieved from Internet Aug. 11, 2020 (1 page), <https://www.hill-rom.ca/ca/Products/Products-by-Category/Patient-Handling/Overhead-patient-lifts/Multirall-200/>.

Liko Multirail, AbleData, retrieved from Internet Aug. 11, 2020 (1 page), <https://abledata.acl.gov/product/liko-multirail>.

Maxi Sky 440 Portable Ceiling Lift Solution, ARJO, retrieved from Internet Aug. 11, 2020 (2 pages), <https://www.arjo.com/en-us/products/safe-patient-handling/ceiling-lift/maxi-sky-440/>.

ARJO Huntleigh patient transfer solution, retrieved from Internet Aug. 11, 2020 (1 page), <https://www.arjo.com/siteassets/inriver/resources/a/arjohuntleigh-patient-transfer-solutions-ceiling-lift-maxi-sky-440-portable-solution>.

\* cited by examiner

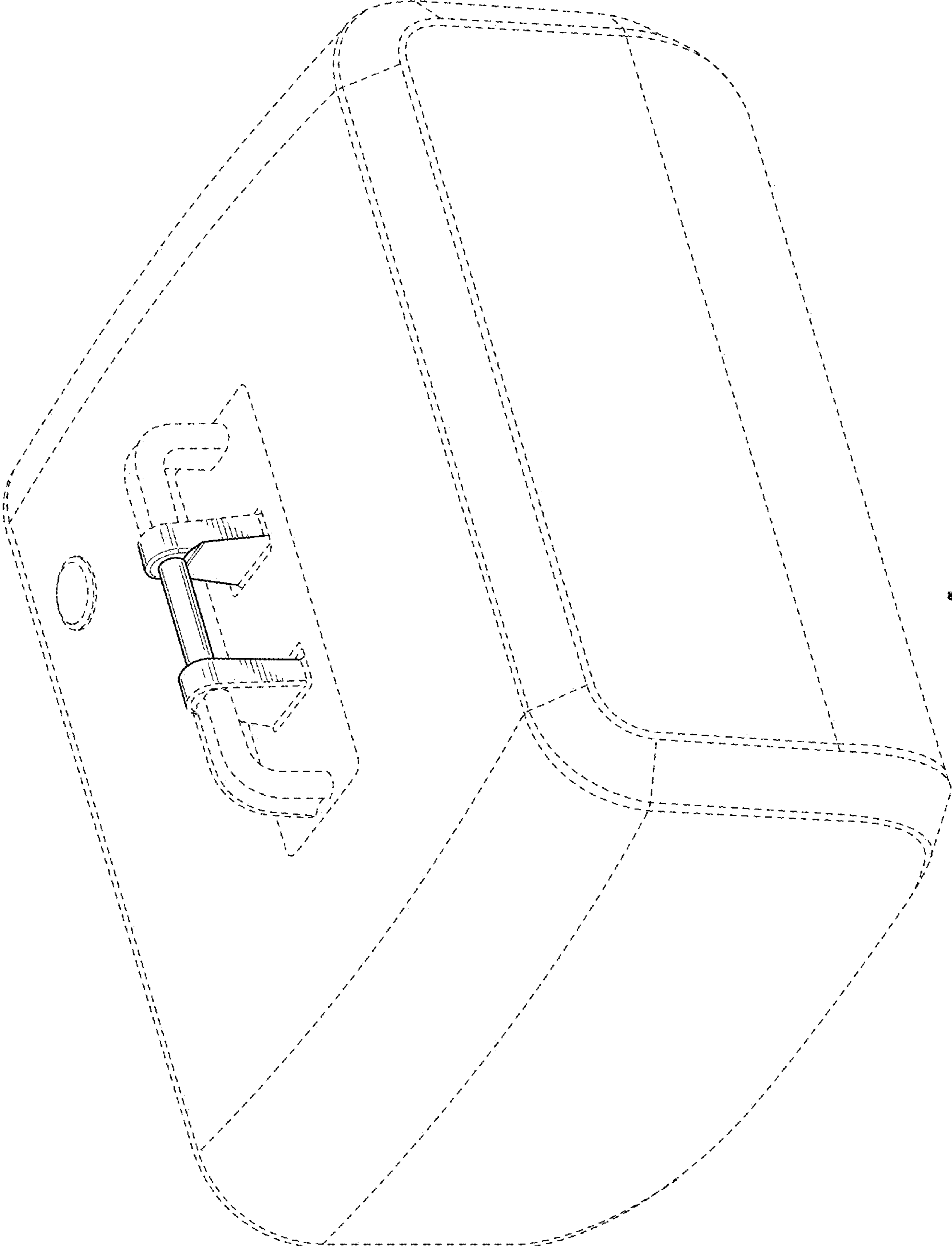


FIG. 1

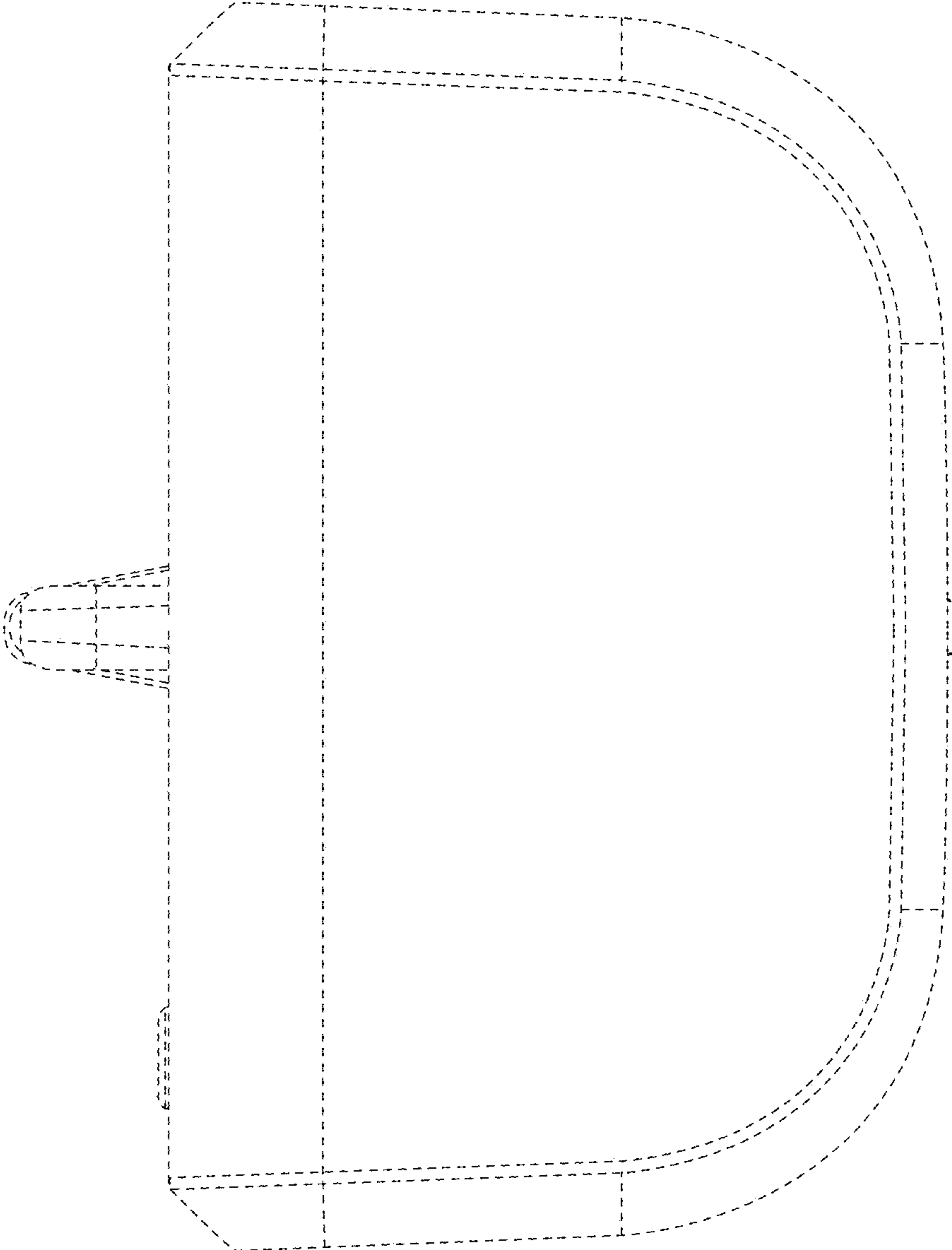


FIG. 2

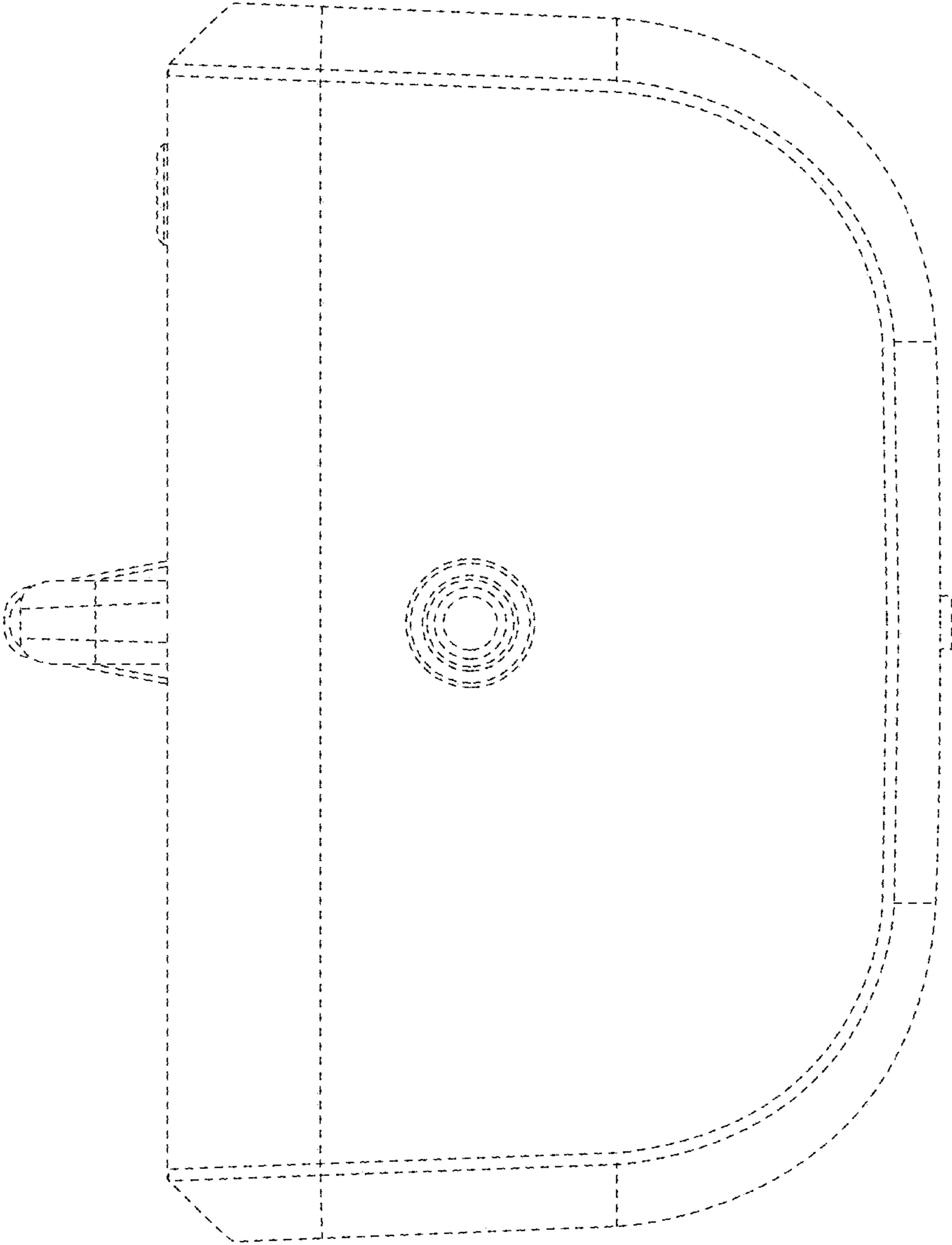


FIG. 3

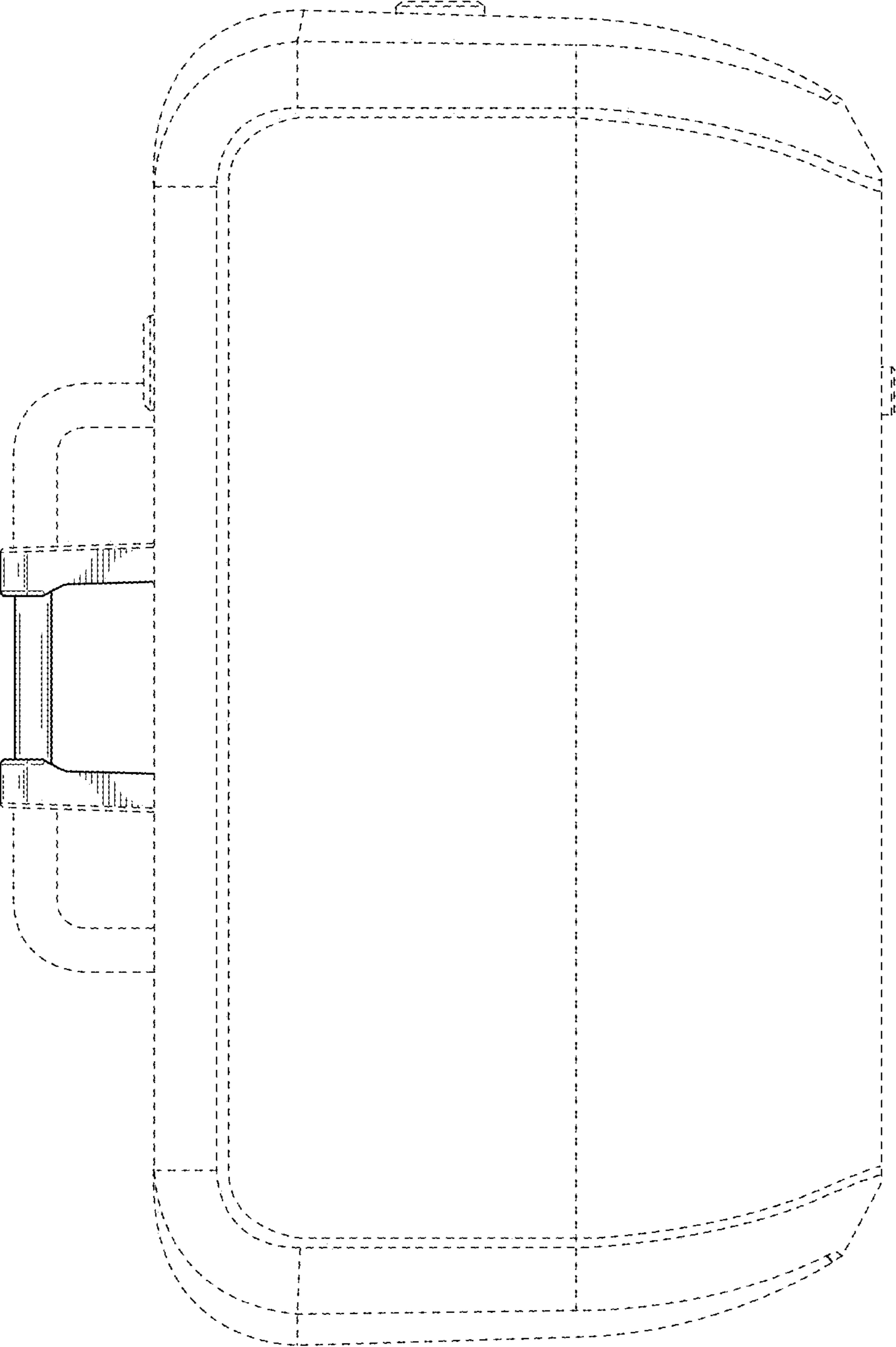


FIG. 4

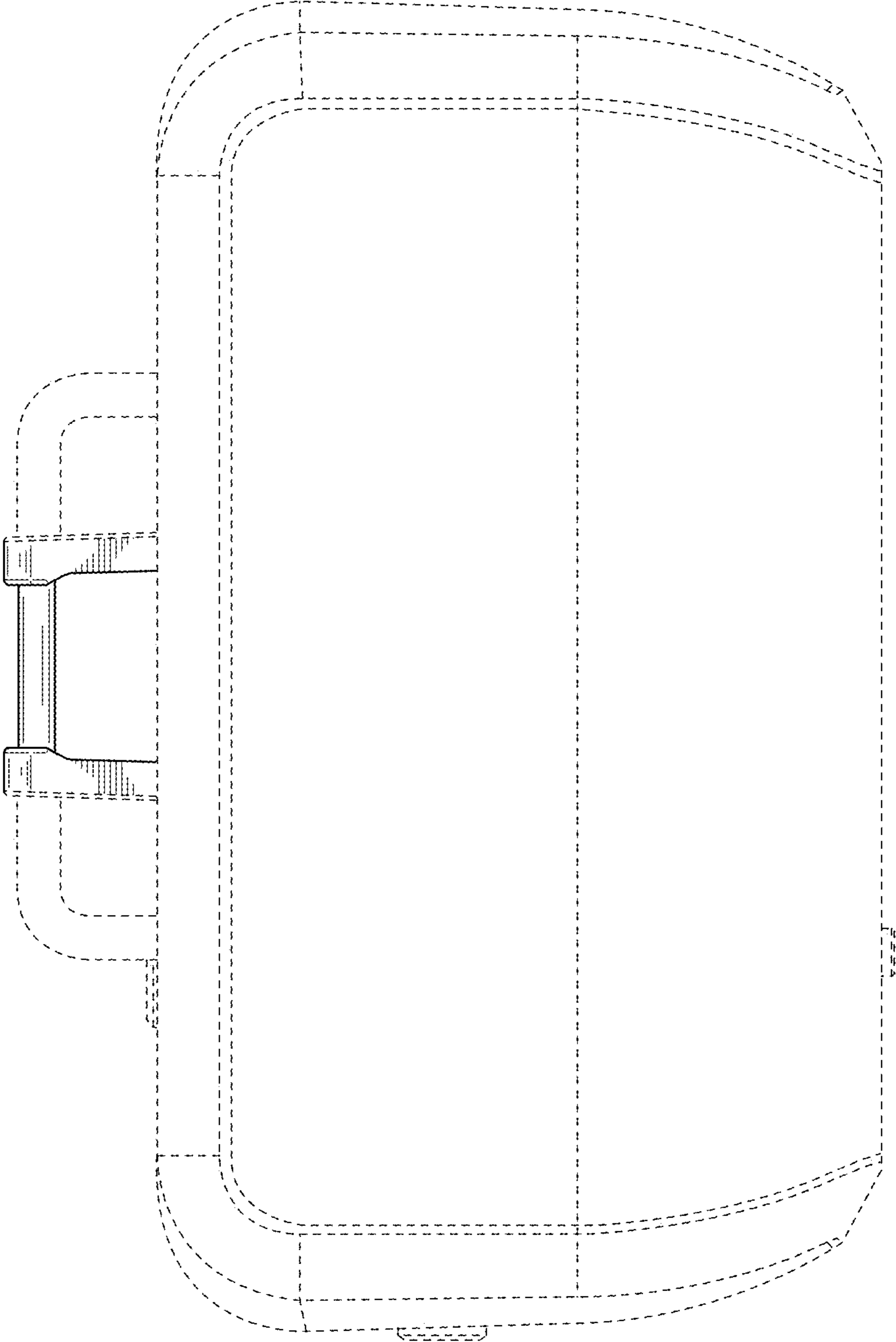


FIG. 5



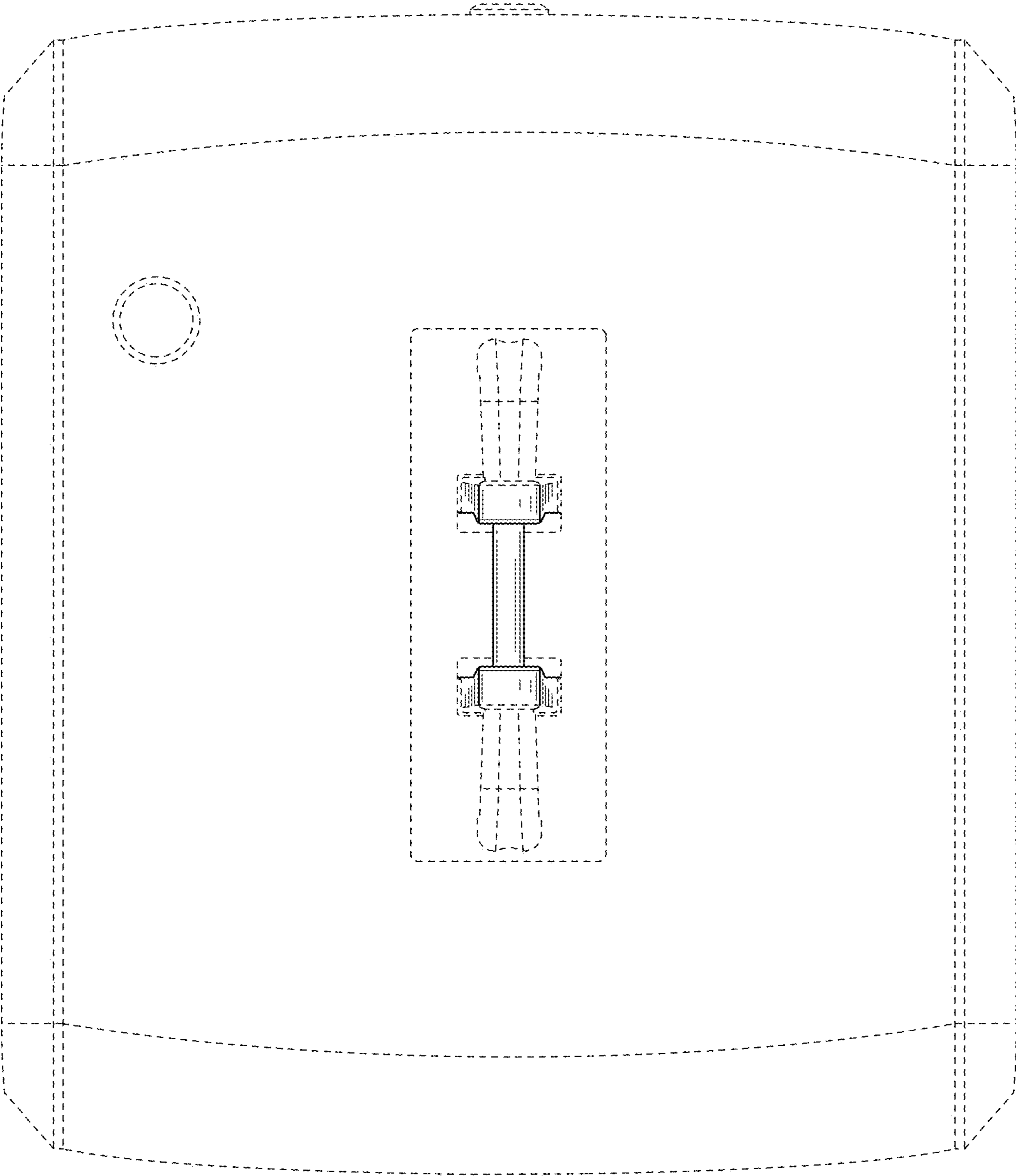


FIG. 6



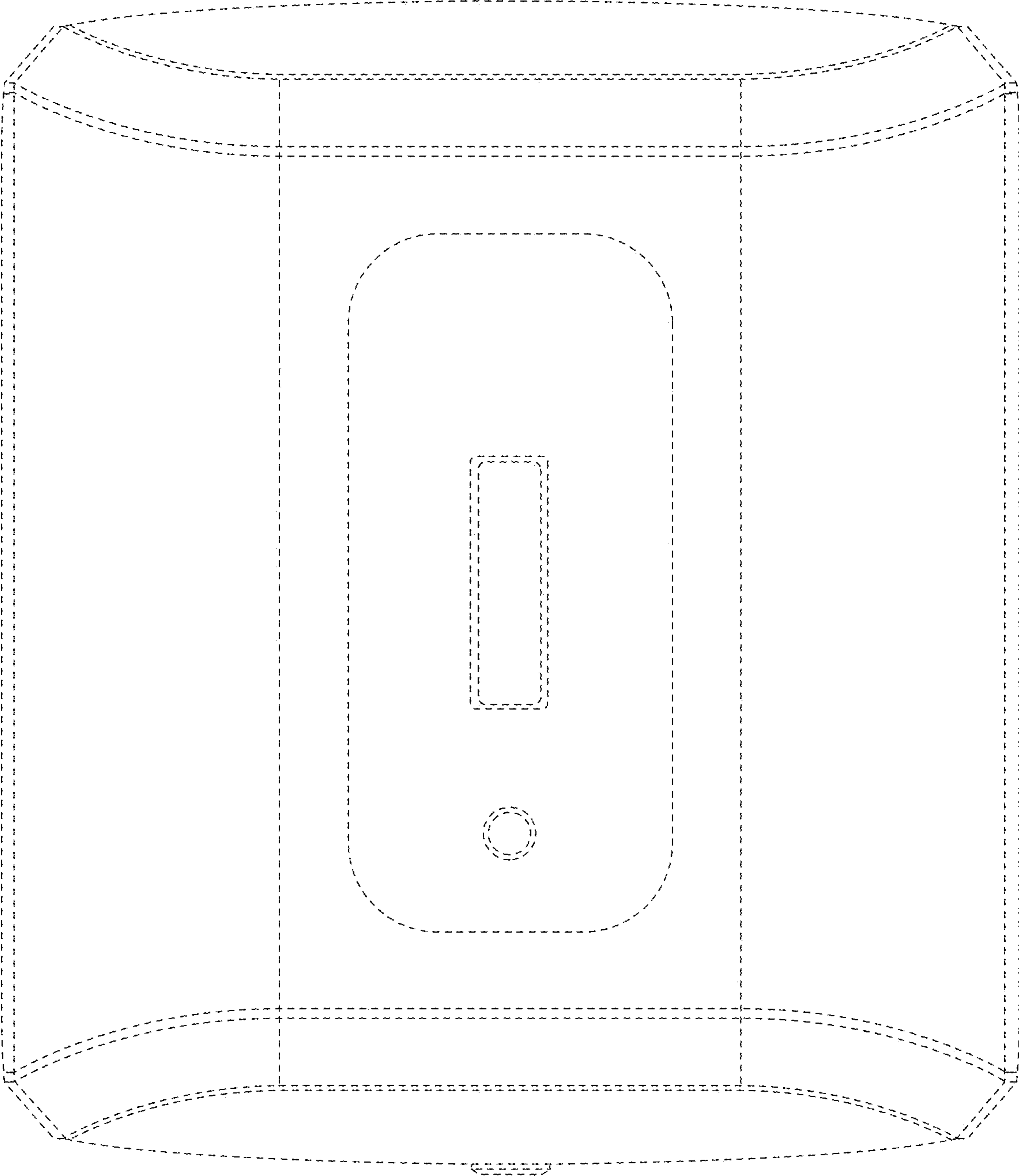


FIG. 7